

[54] ELECTRONIC THERMOMETER OR SIMILAR ARTICLE

[75] Inventor: Bernhard Schwan, Werbach, Fed. Rep. of Germany

[73] Assignee: Testoterm Fritzsching GmbH & Co., Lenzkirch, Fed. Rep. of Germany

[**] Term: 14 Years

[21] Appl. No.: 224,489

[22] Filed: Jul. 25, 1988

[30] Foreign Application Priority Data

Apr. 19, 1988 [DE] Fed. Rep. of Germany DM/010788

[52] U.S. Cl. D10/52

[58] Field of Search D10/46, 47, 52, 53, D10/56, 57, 58, 75, 78, 103; D24/81, 17, 18, 21; 26/69 R, 69 A, 69 B, 69 C, 70; 33/1 BB, 1 L; 73/159, 431, 629; 324/92, 159, 156, 72.5, 149; 374/165, 170, 189, 190, 194, 208

[56] References Cited

U.S. PATENT DOCUMENTS

D. 238,560	1/1976	Aupperle	D10/46
D. 238,561	1/1976	Aupperle	D10/46
D. 299,700	2/1989	Yubisui et al.	D10/57
D. 300,727	4/1989	Fukushima	D10/52
4,476,721	10/1984	Hochreuther et al.	73/431
4,696,189	9/1987	Hochreuther	73/431

Primary Examiner—Nelson C. Holtje
Assistant Examiner—Antoine D. Davis
Attorney, Agent, or Firm—Lackenbach Siegel Marzullo & Aronson

[57] CLAIM

The ornamental design for an electronic thermometer or similar article, as shown.

DESCRIPTION

FIG. 1 is a top plan, front and right side elevational view of an electronic thermometer or similar article showing my new design;
FIG. 2 is a bottom plan view;
FIG. 3 is a left side elevational view;
FIG. 4 is a top plan view;
FIG. 5 is a right side elevational view;
FIG. 6 is a rear elevational view; and
FIG. 7 is a front elevational view thereof.

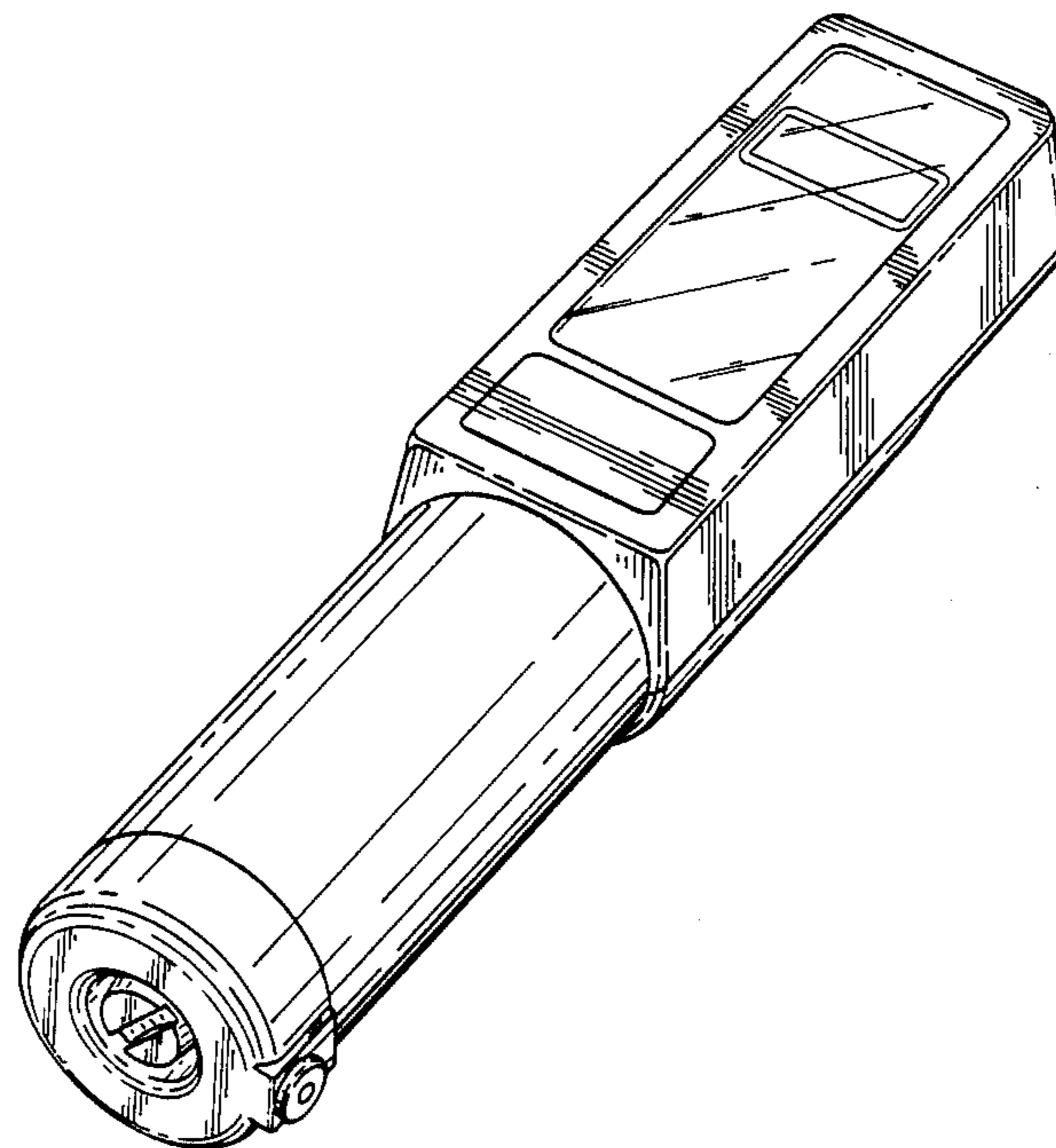


FIG. 1

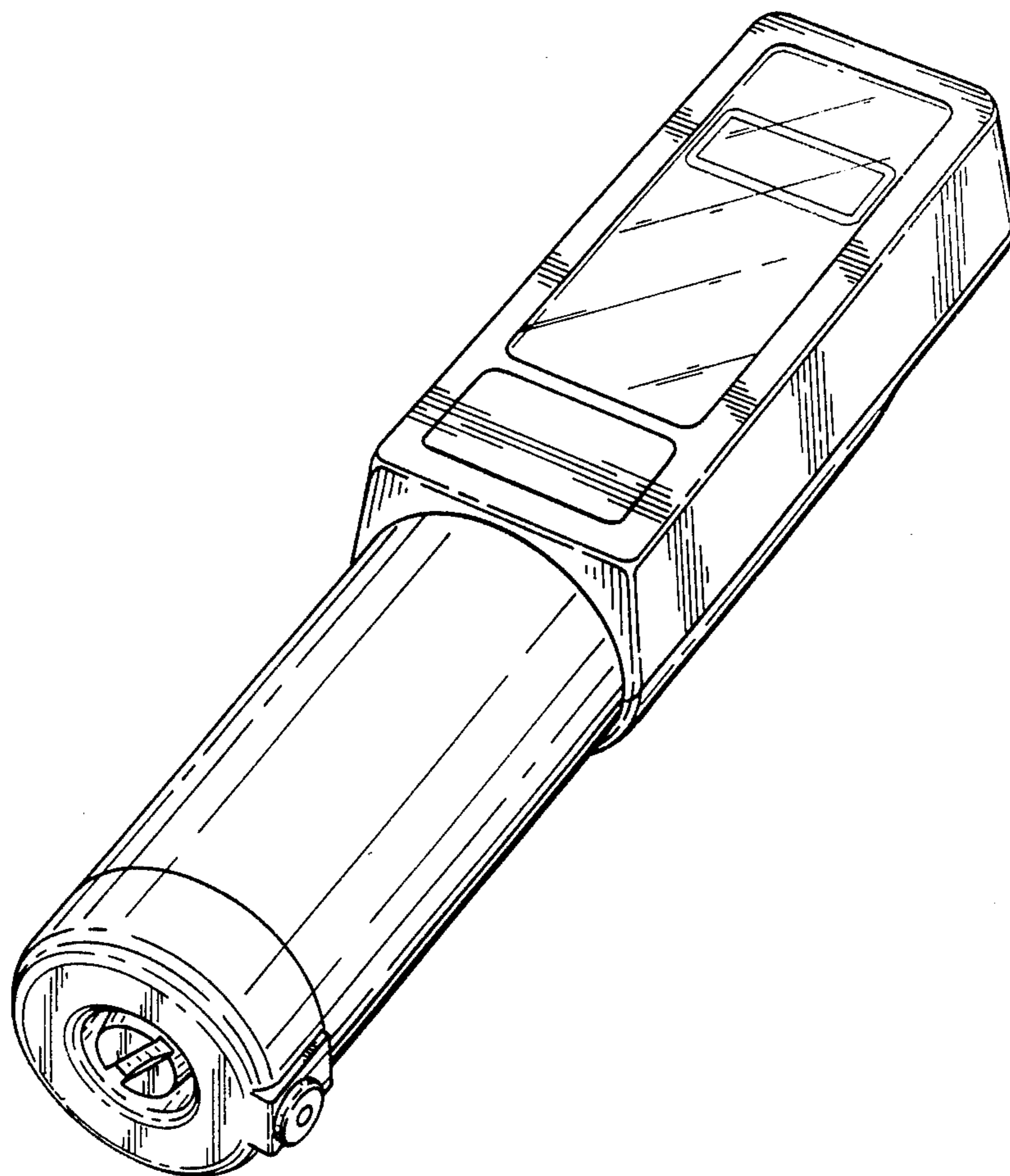


FIG. 2

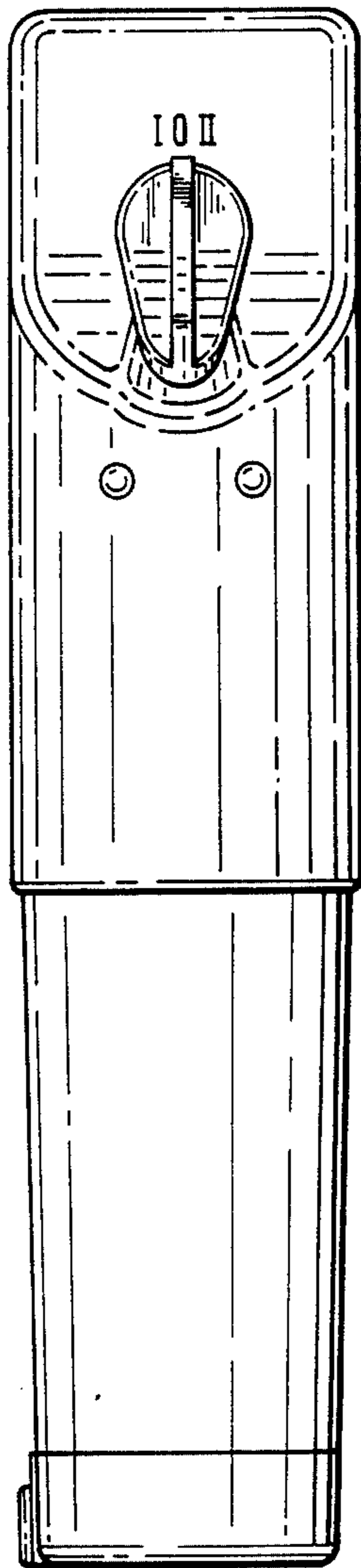


FIG. 3

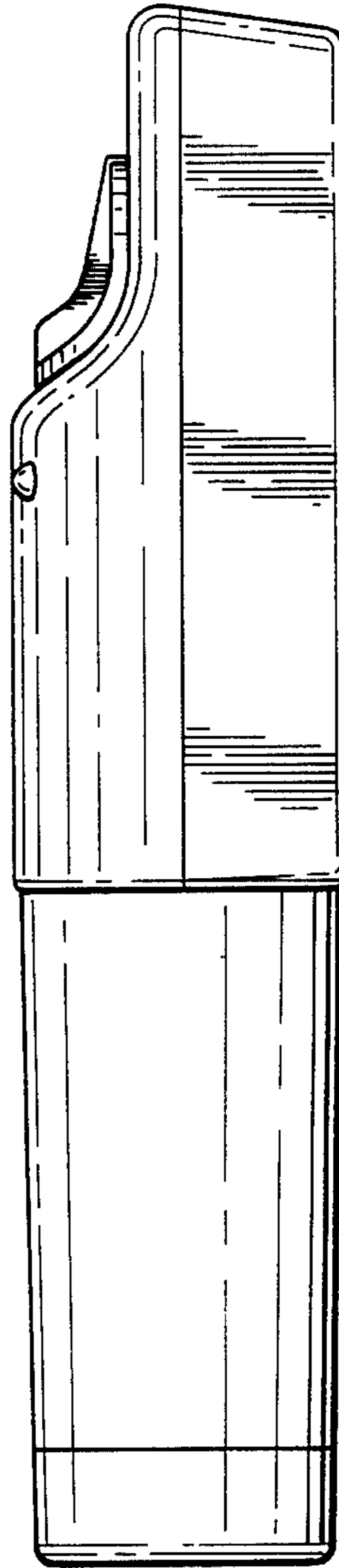


FIG. 4

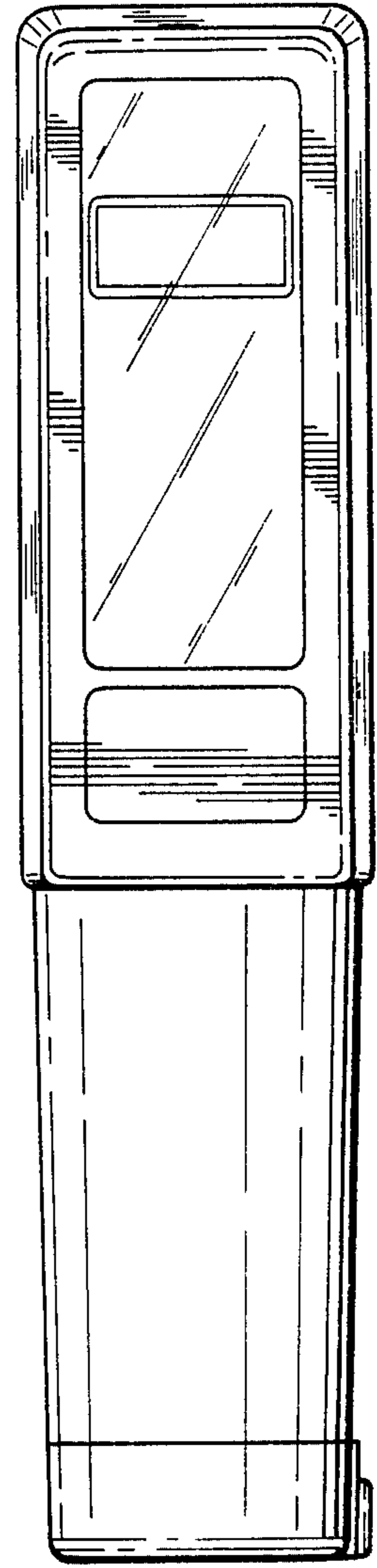


FIG. 5

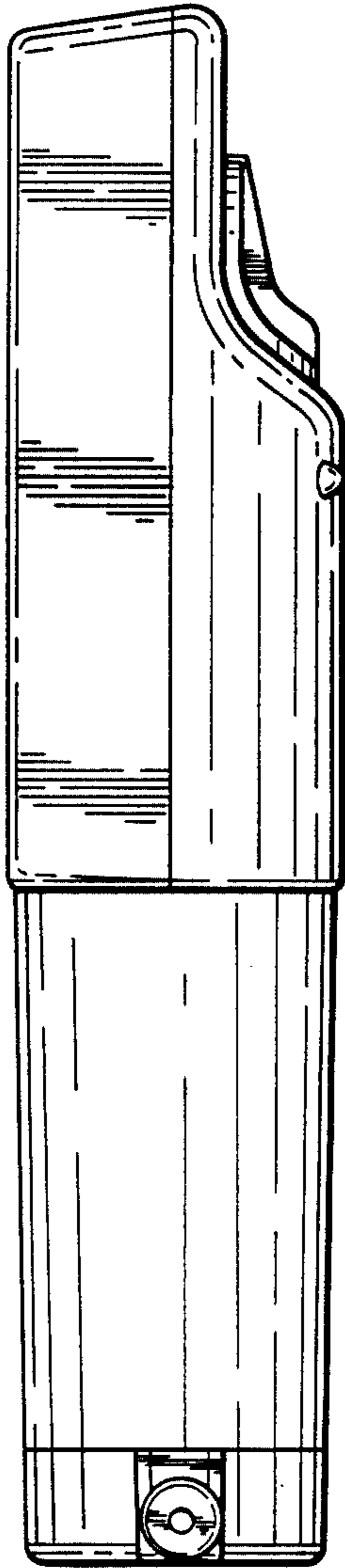


FIG. 6

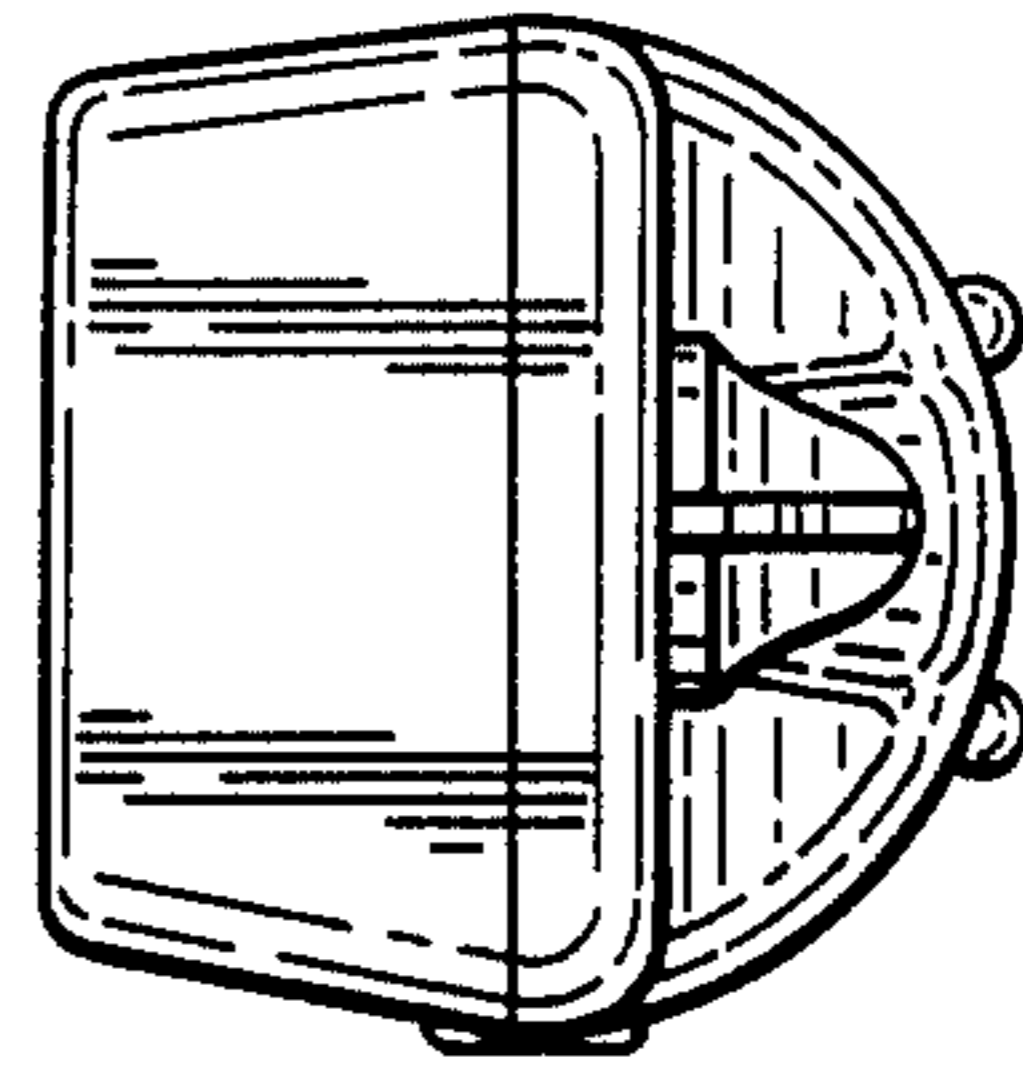


FIG. 7

