

[54] TRAVEL ALARM CLOCK

[75] Inventor: Keiko Mayuzumi, Tokyo, Japan

[73] Assignee: Seikosha Co., Ltd., Japan

[**] Term: 14 Years

[21] Appl. No.: 76,555

[22] Filed: Jul. 22, 1987

[30] Foreign Application Priority Data

Jan. 23, 1987 [JP] Japan 62-2254

[52] U.S. Cl. D10/18; D10/26

[58] Field of Search D10/1-39,
D10/122-132; 368/316, 276, 277, 285

[56] References Cited

U.S. PATENT DOCUMENTS

- D. 149,091 3/1948 Schlenker D10/26
- D. 266,057 9/1982 Kanoui D10/26
- D. 302,128 7/1989 Sugano D10/18 X

FOREIGN PATENT DOCUMENTS

61976 4/1982 Japan 368/277

Primary Examiner—Nelson C. Holtje

Attorney, Agent, or Firm—Bruce L. Adams; Van C. Wilks

[57] CLAIM

The ornamental design for a travel alarm clock, as shown and described.

DESCRIPTION

FIG. 1 is a front elevational view of a travel alarm clock with the lid opened showing my new design;

FIG. 2 is a rear elevational view thereof;

FIG. 3 is a top plan view thereof;

FIG. 4 is a bottom plan view thereof;

FIG. 5 is a left side elevational view thereof;

FIG. 6 is a right side elevational view thereof;

FIG. 7 is a front elevational view thereof with the lid closed;

FIG. 8 is a rear elevational view thereof with the lid closed;

FIG. 9 is a top plan view thereof with the lid closed;

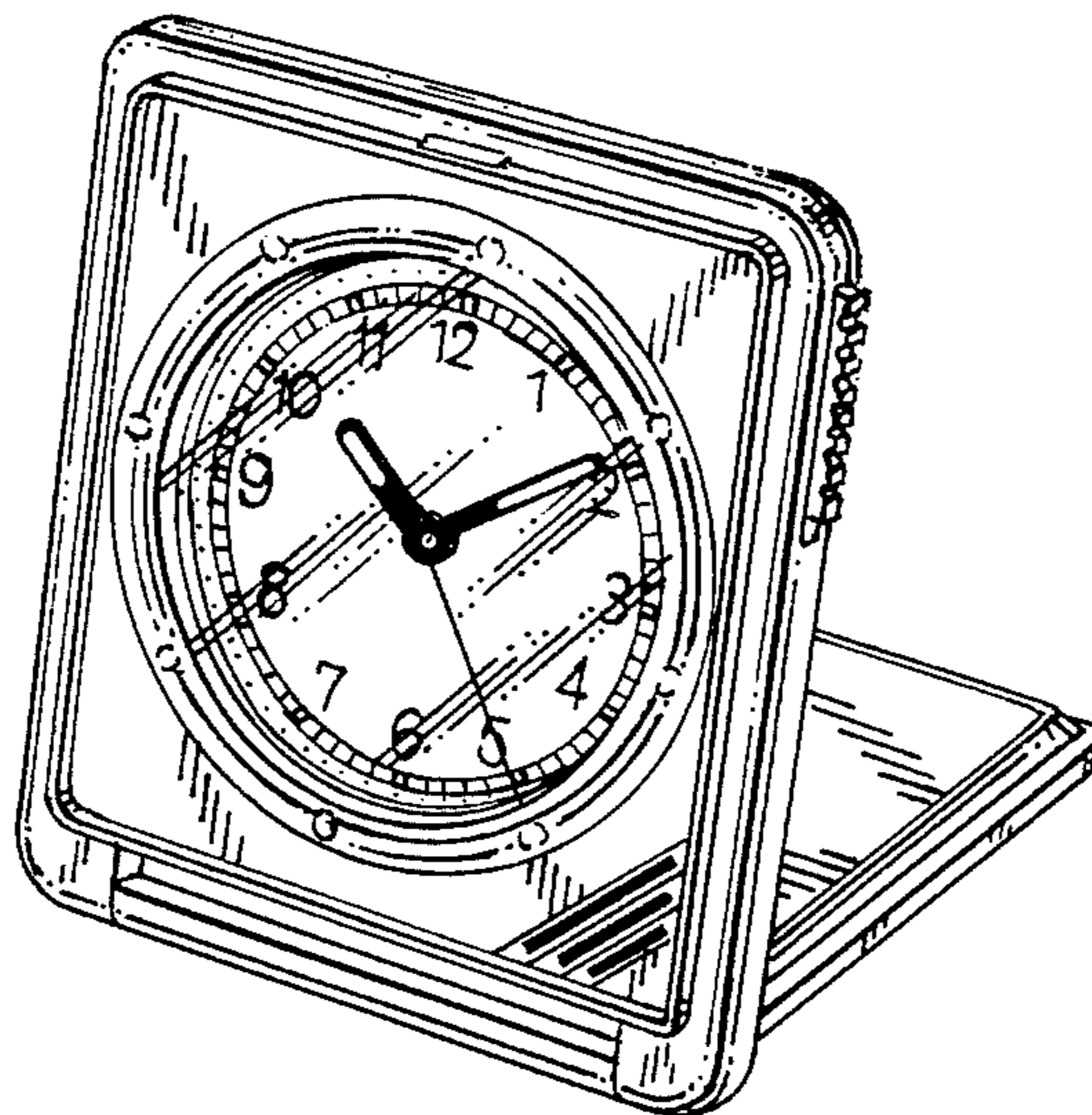
FIG. 10 is a bottom plan view thereof with the lid closed;

FIG. 11 is a left side elevational view thereof with the lid closed;

FIG. 12 is a right side elevational view thereof with the lid closed;

FIG. 13 is a front right perspective view thereof with the lid closed; and

FIG. 14 is a front right perspective view thereof with the lid closed.



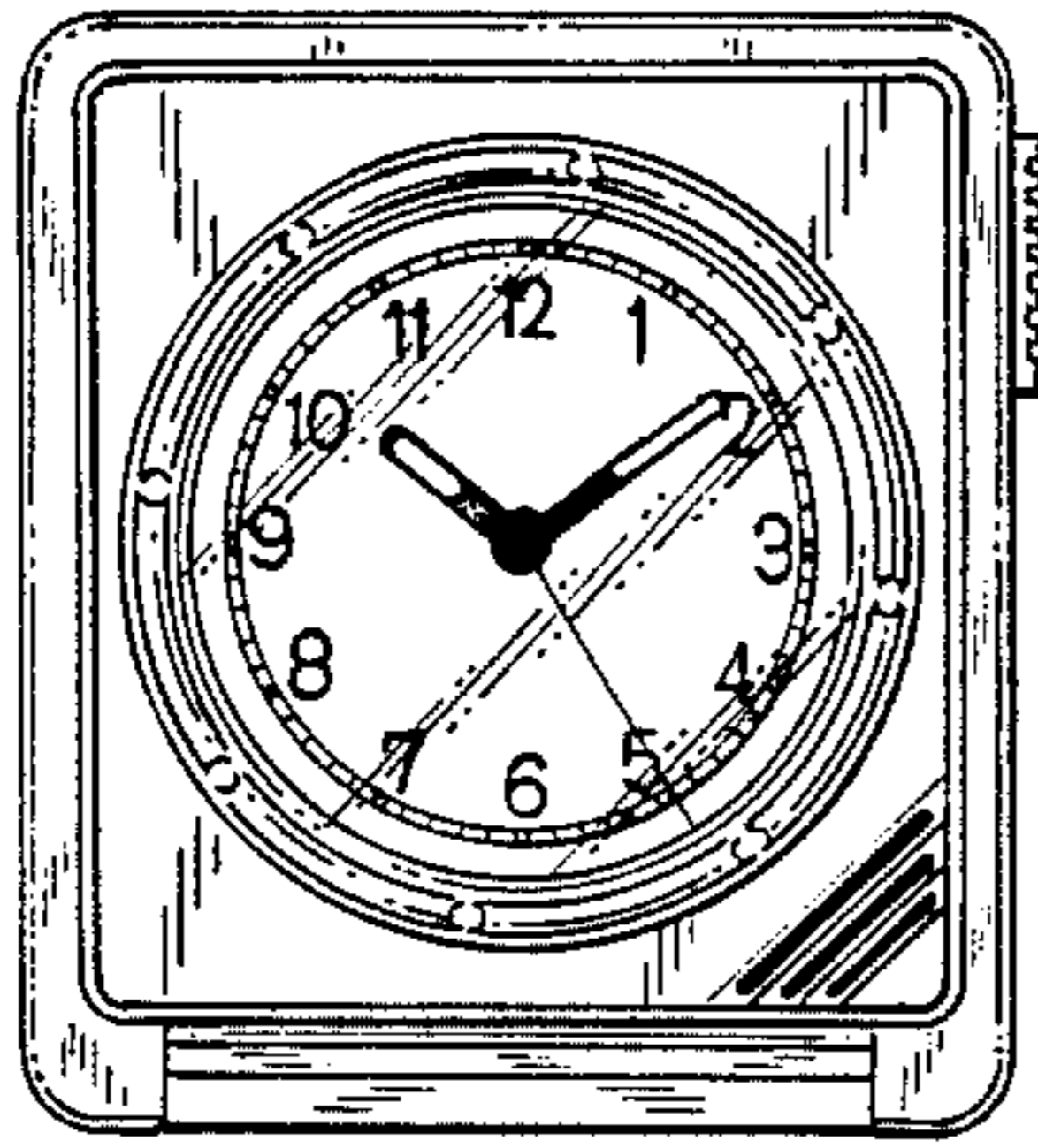


FIG. 1

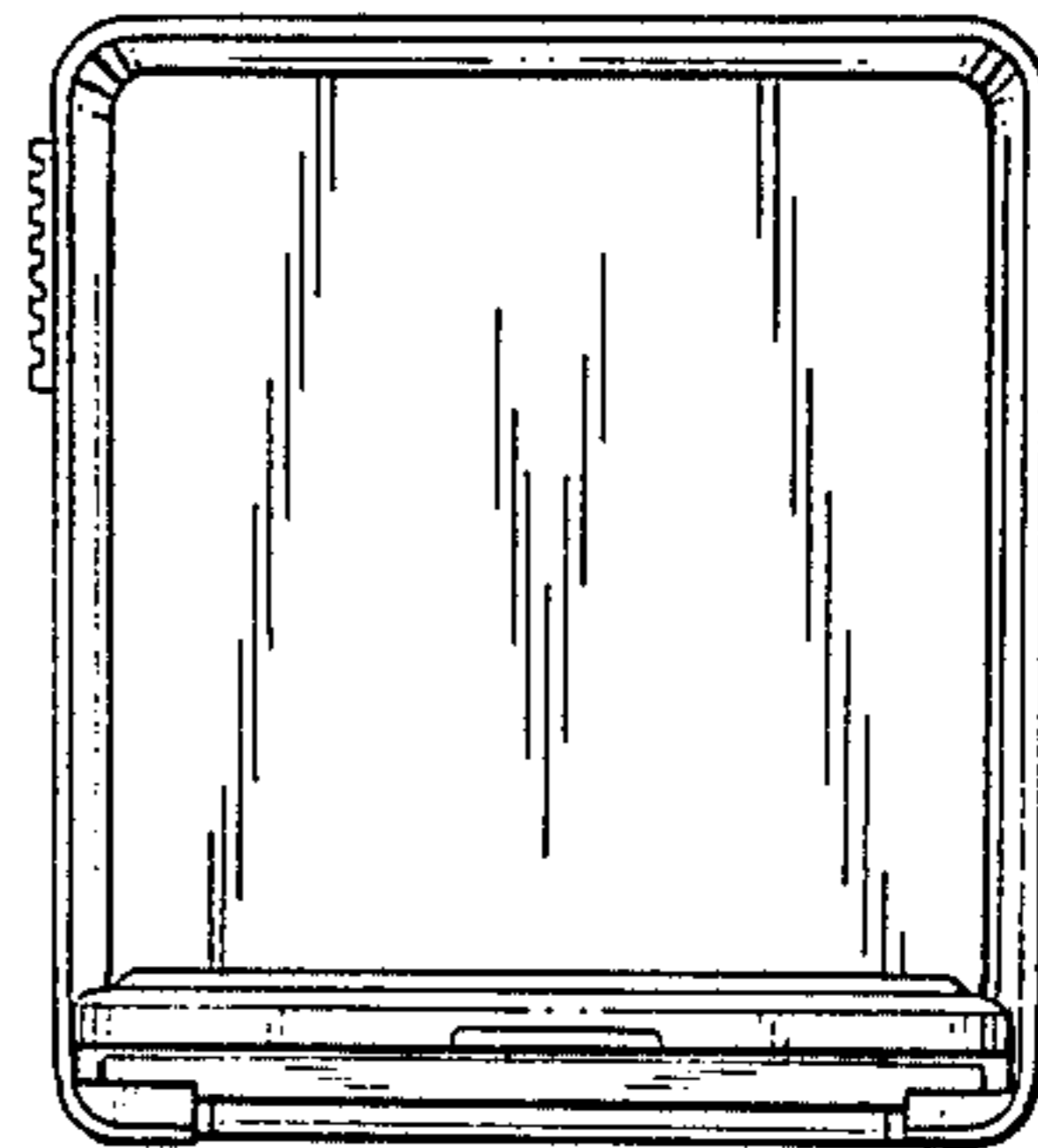


FIG. 2

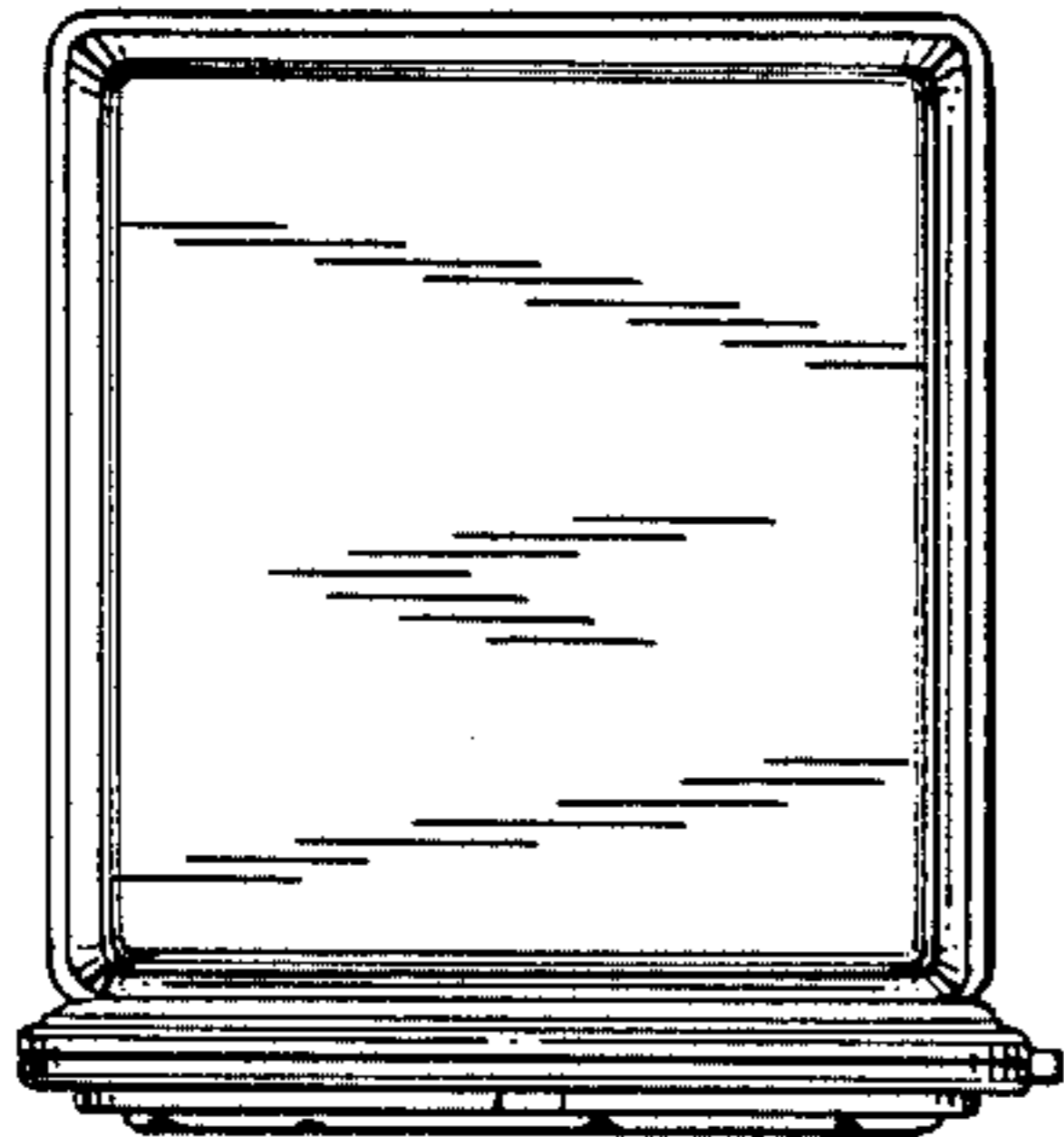


FIG. 3

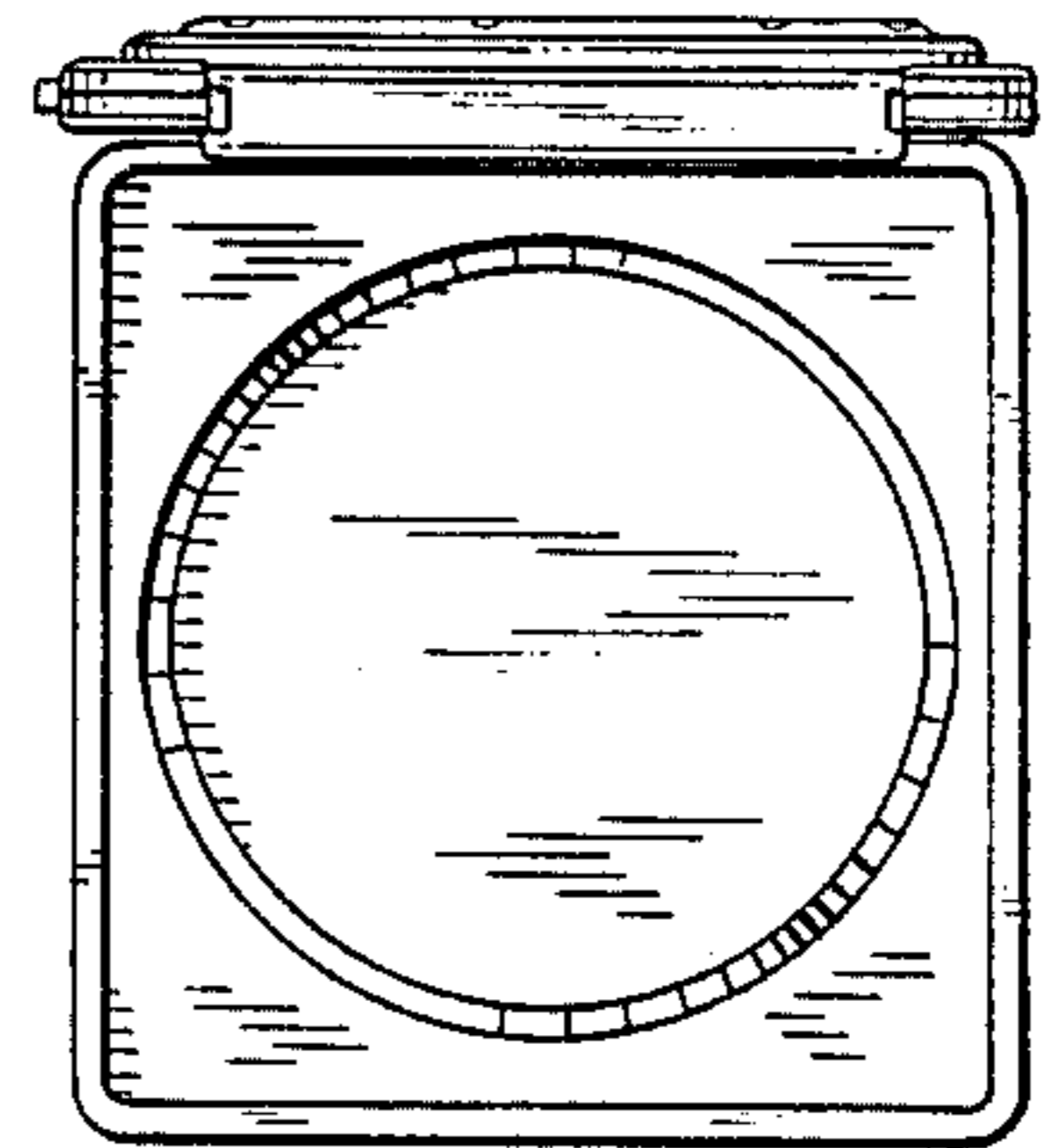


FIG. 4

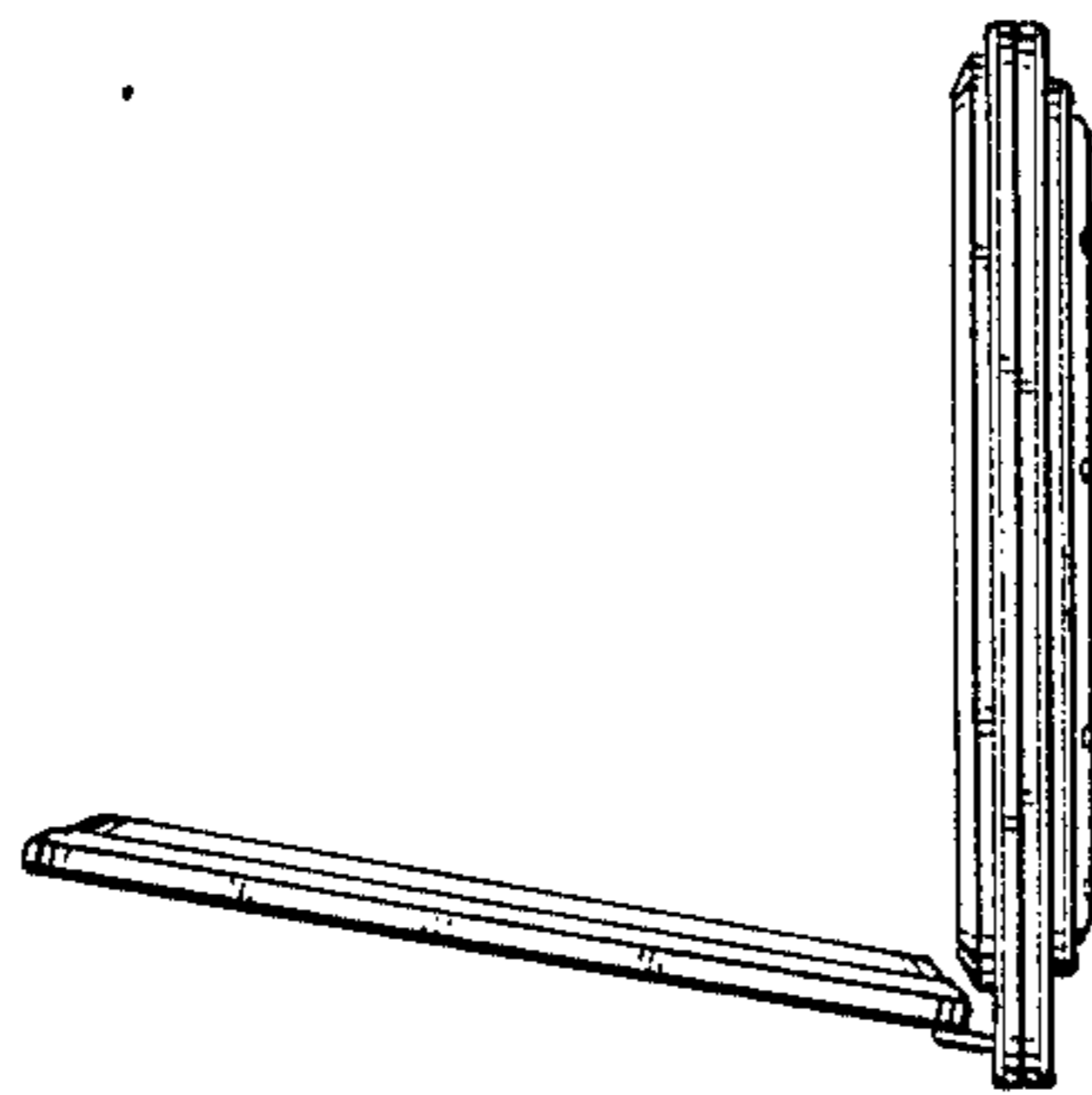


FIG. 5

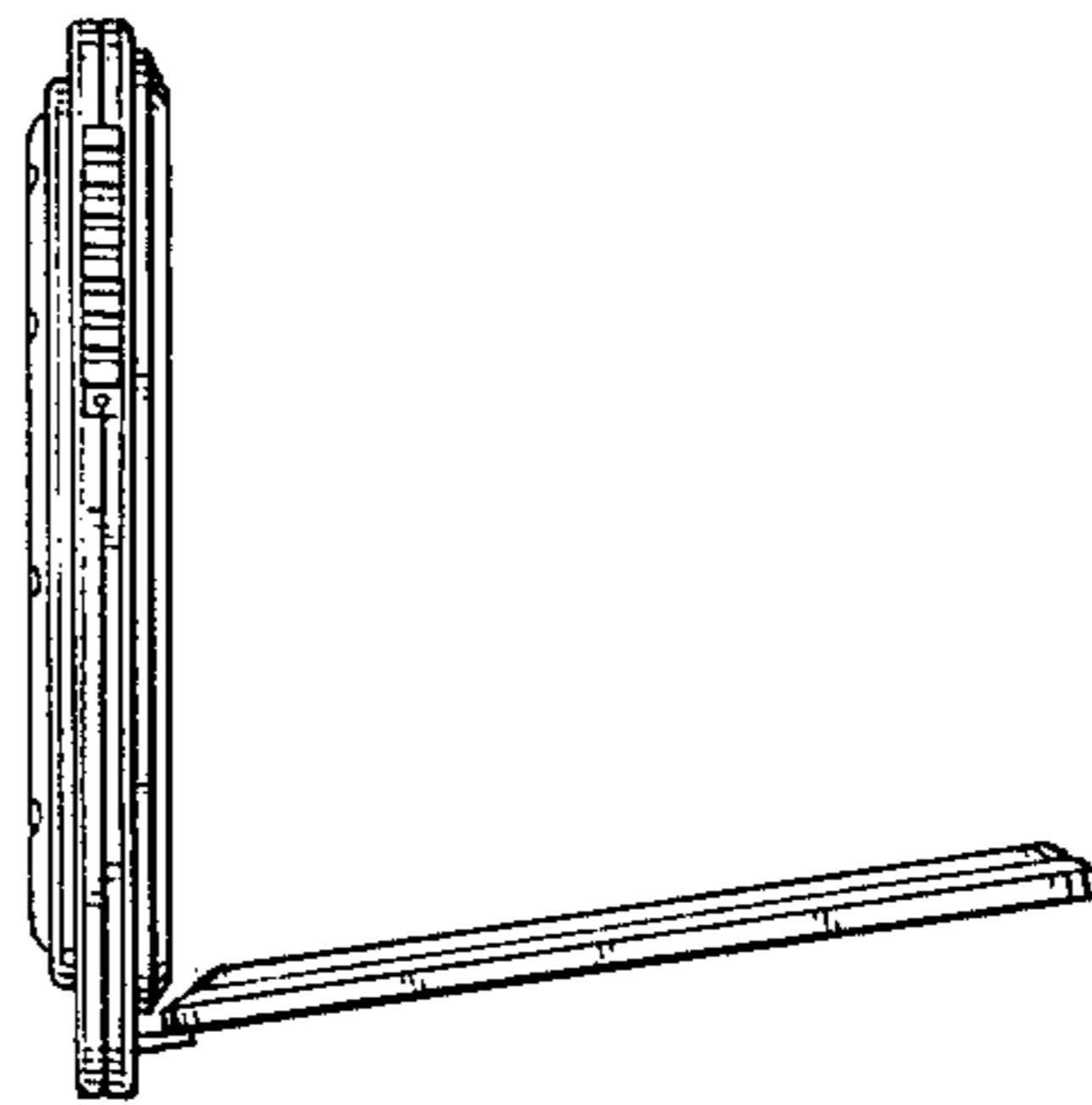


FIG. 6

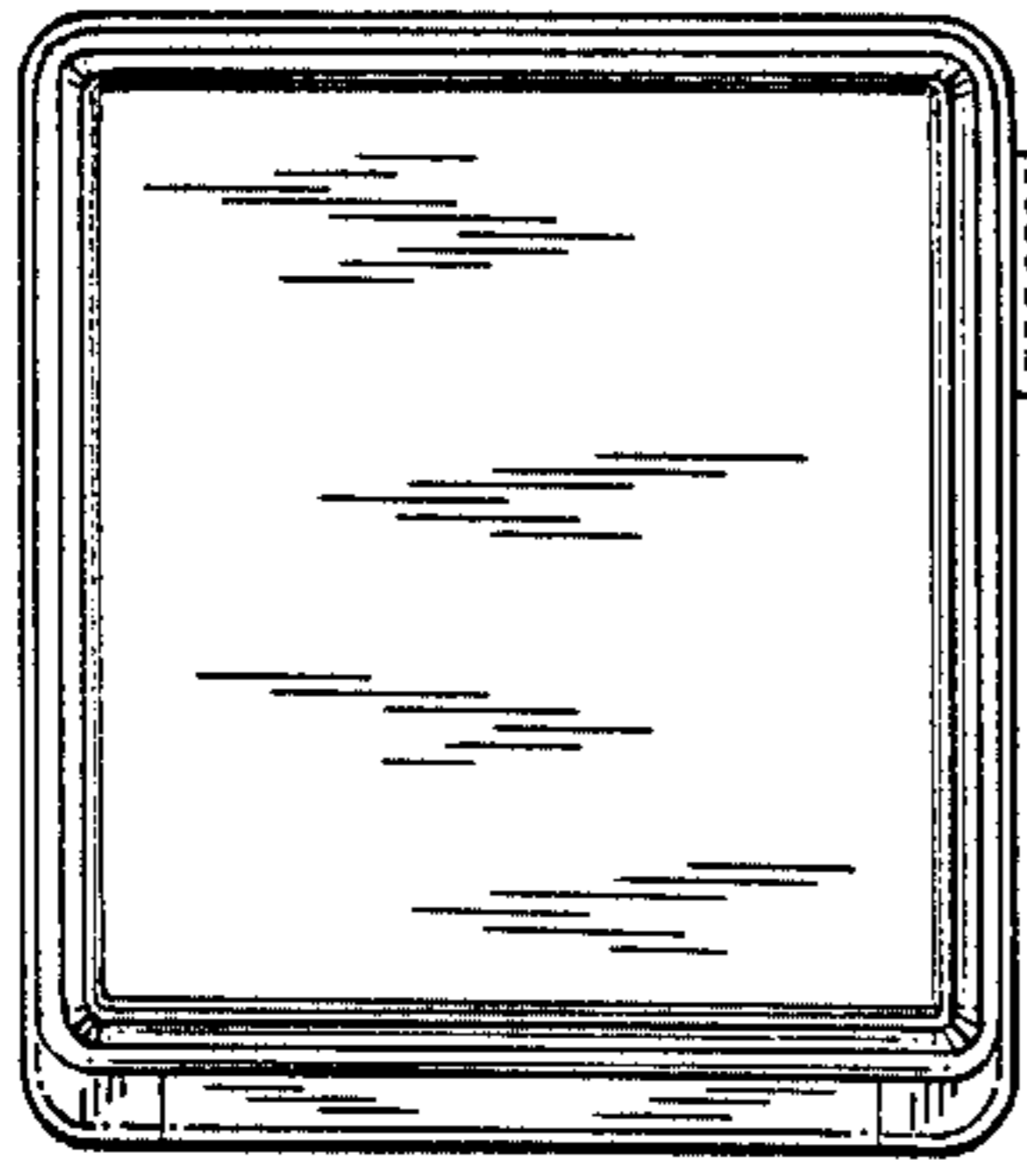


FIG. 7

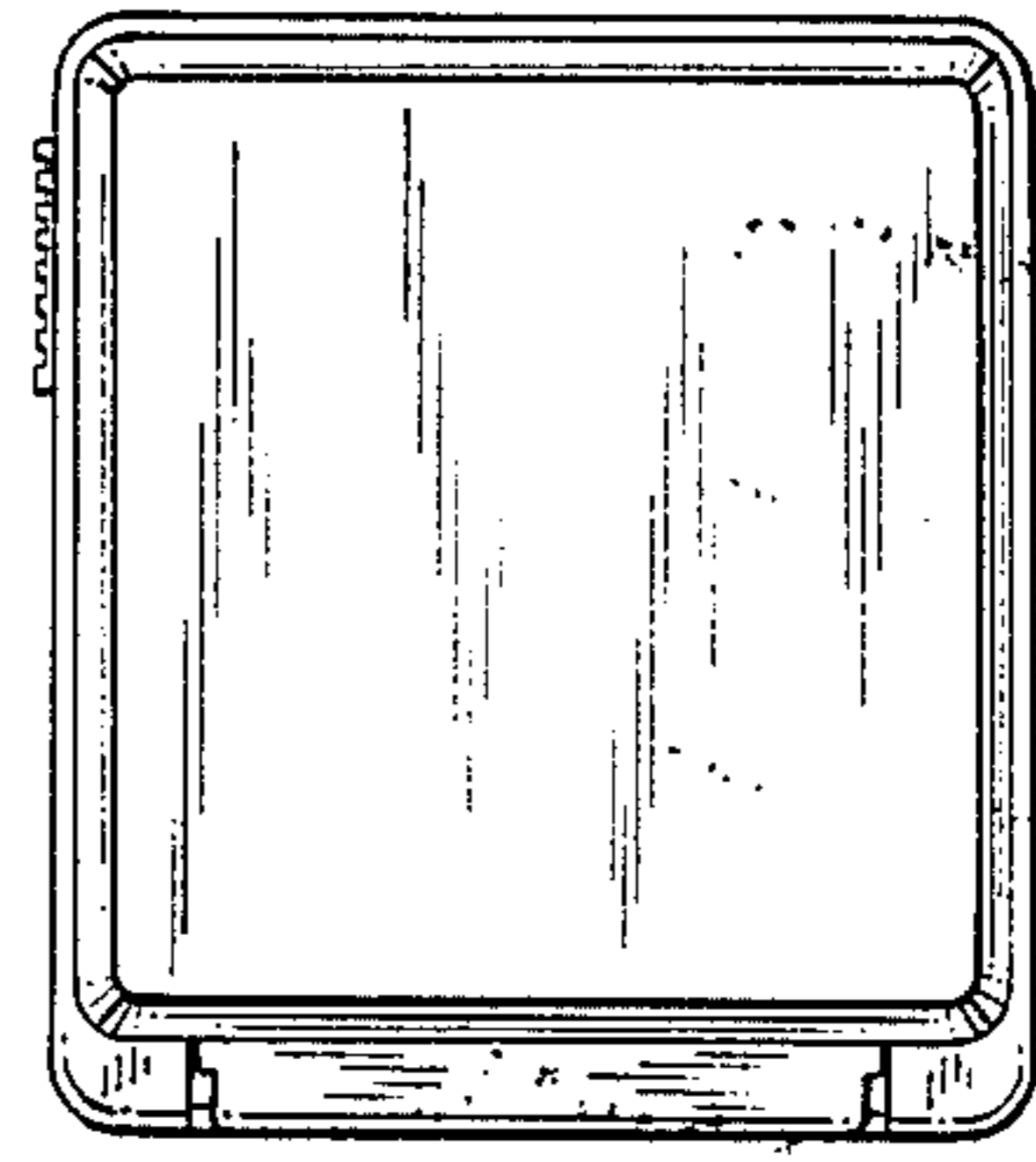


FIG. 8

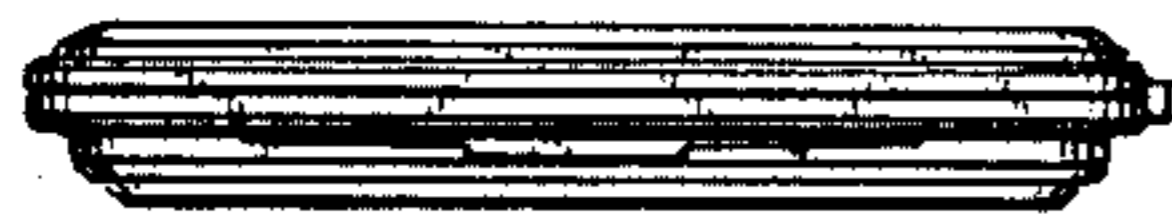


FIG. 9

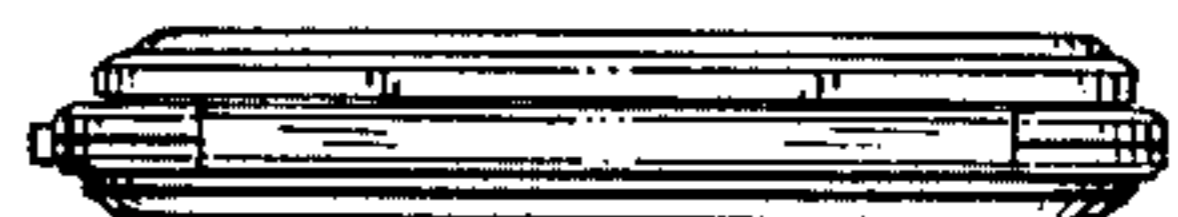


FIG. 10



FIG. 11



FIG. 12

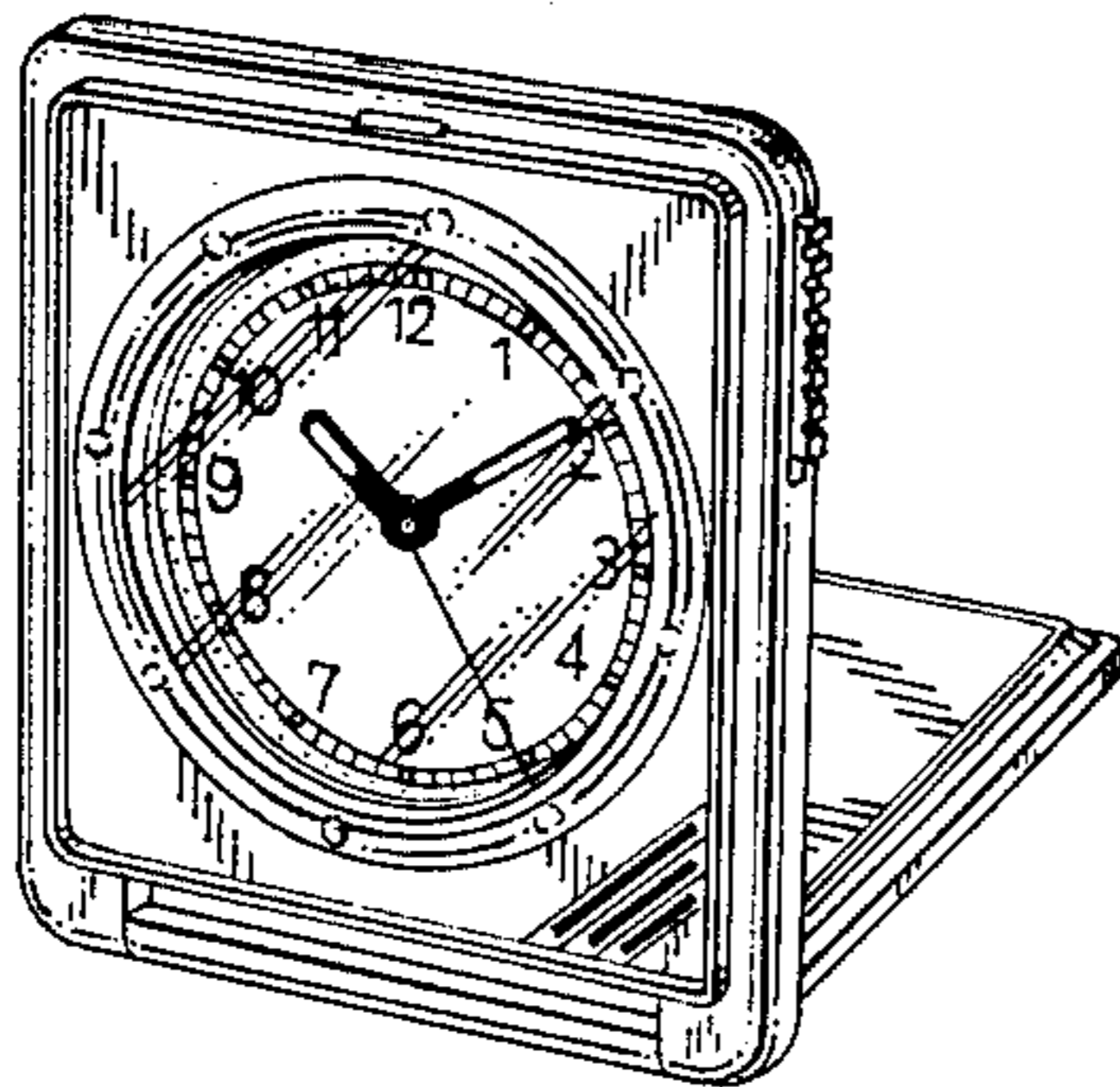


FIG. 13

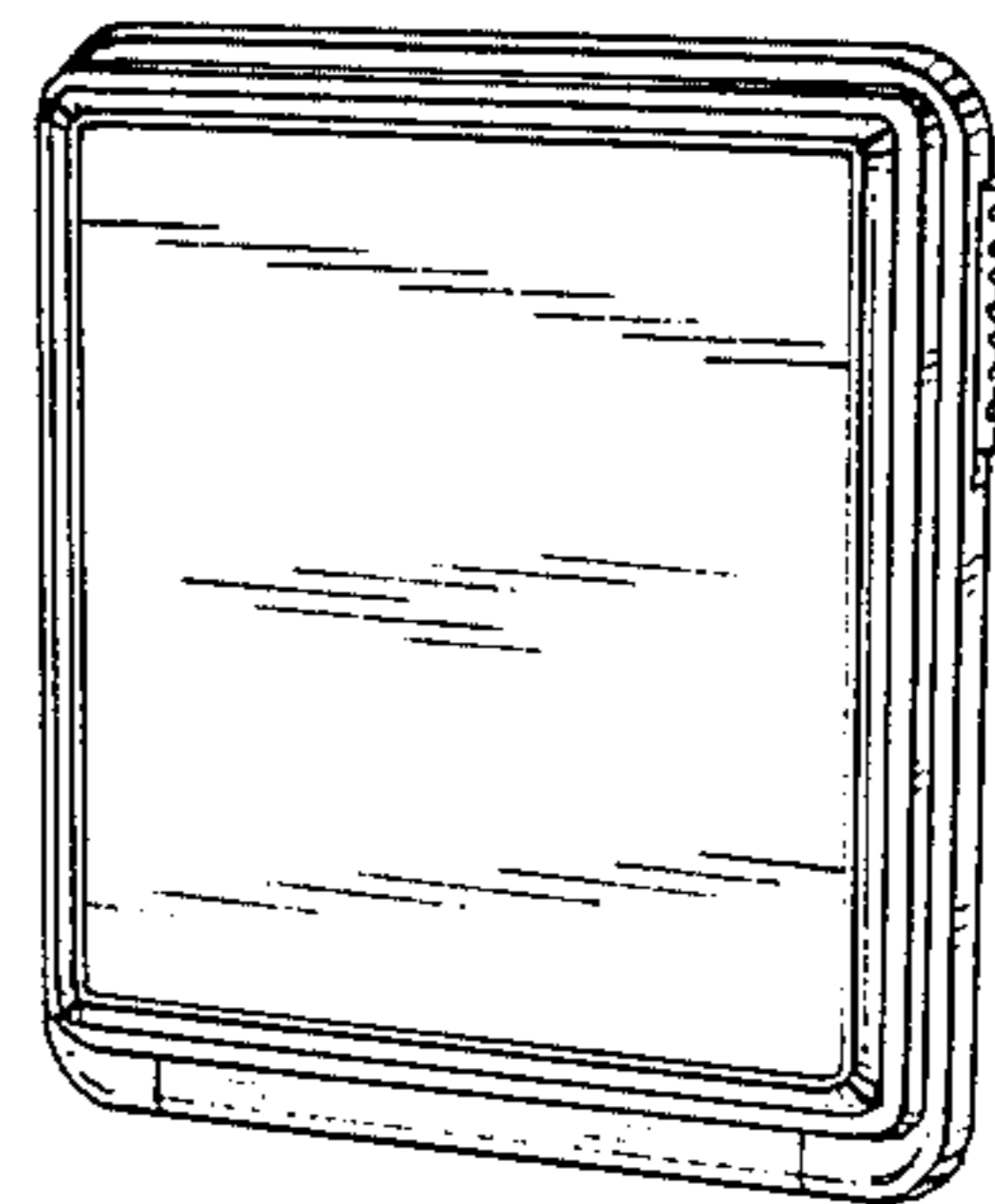


FIG. 14