

[54] TRAVEL ALARM CLOCK

120031 7/1927 Switzerland 368/316

[75] Inventor: Kimio Hirota, Tokyo, Japan

OTHER PUBLICATIONS

[73] Assignee: Seikosha Co., Ltd., Japan

Home Furn. Daily-3/30/87-p. 116-Clock at center--right.

[**] Term: 14 Years

Primary Examiner—Nelson C. Holtje
Attorney, Agent, or Firm—Bruce L. Adams; Van C. Wilks

[21] Appl. No.: 69,628

[22] Filed: Jul. 6, 1987

[57] CLAIM

[30] Foreign Application Priority Data

The ornamental design for a travel alarm clock, as shown and described.

Jan. 5, 1987 [JP] Japan 62-27

[52] U.S. Cl. D10/18; D10/26

[58] Field of Search D10/1-39,
D10/122-132; 368/276, 277, 316, 285

DESCRIPTION

[56] References Cited

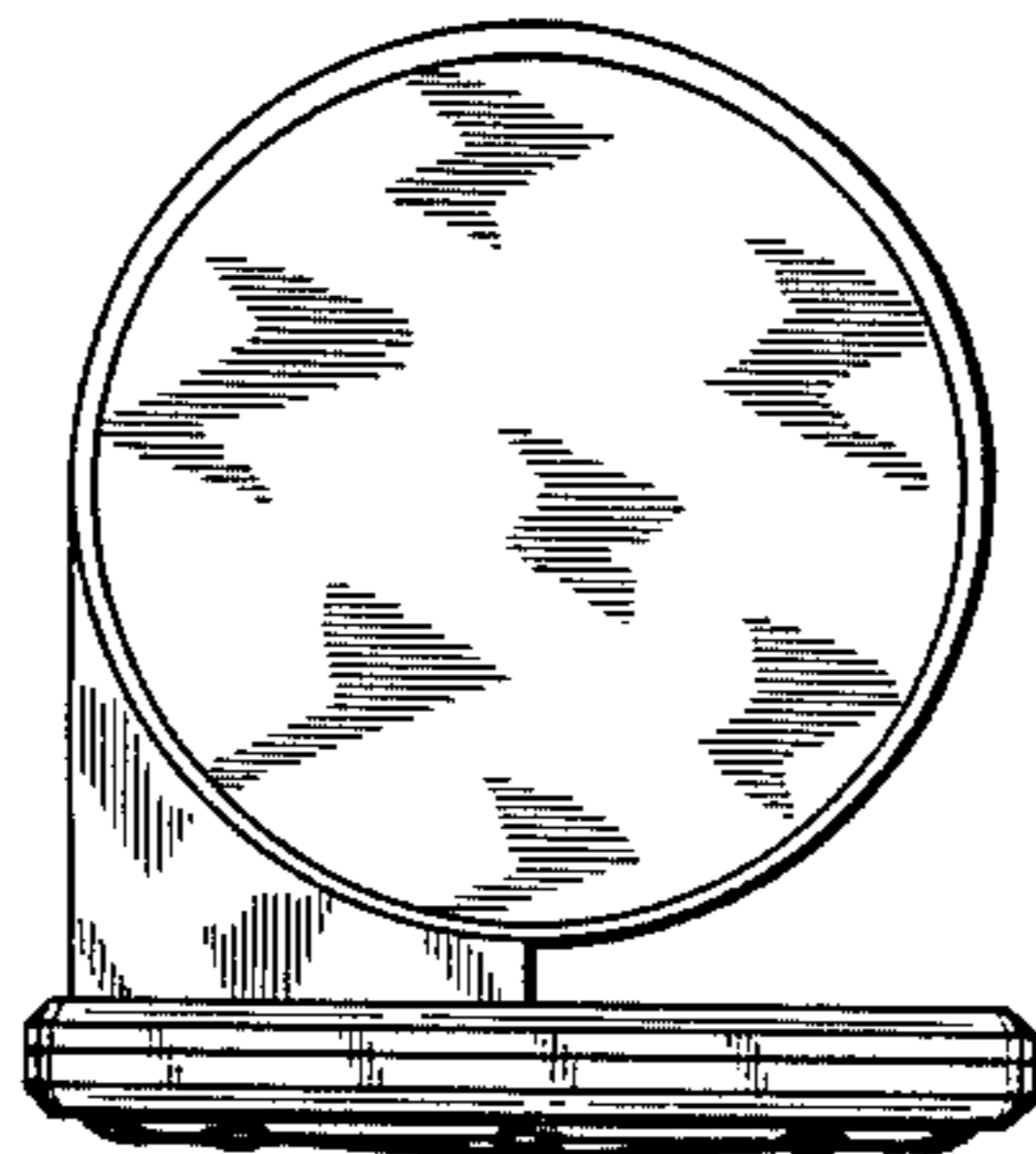
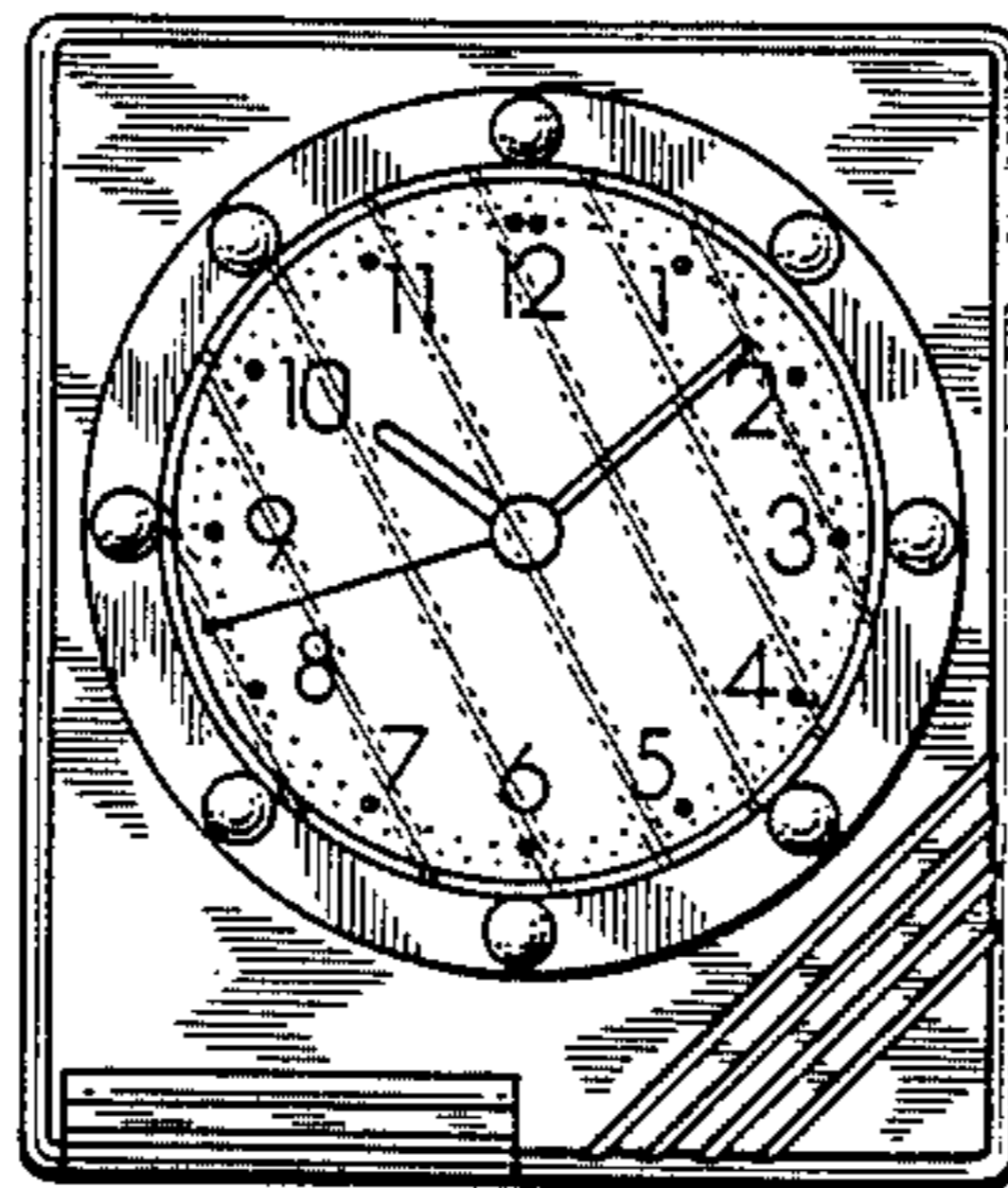
FIG. 1 is a front elevational view of a travel alarm clock with the lid open showing my new design;
FIG. 2 is a rear elevational view thereof;
FIG. 3 is a top plan view thereof;
FIG. 4 is a bottom plan view thereof;
FIG. 5 is a left side elevational view thereof;
FIG. 6 is a right side elevational view thereof;
FIG. 7 is a front elevational view thereof with the lid closed;
FIG. 8 is a left side elevational view thereof with the lid closed; and
FIG. 9 is a top plan view thereof with the lid closed.

U.S. PATENT DOCUMENTS

- 1,619,822 3/1927 Huber 368/276
- 2,486,457 11/1949 Anitole D6/314 X
- 2,858,662 11/1958 Ditesheim 368/276
- 4,508,459 4/1985 Hashimoto 368/276

FOREIGN PATENT DOCUMENTS

- 678308 3/1930 France 368/316
- 61976 4/1982 Japan 368/277



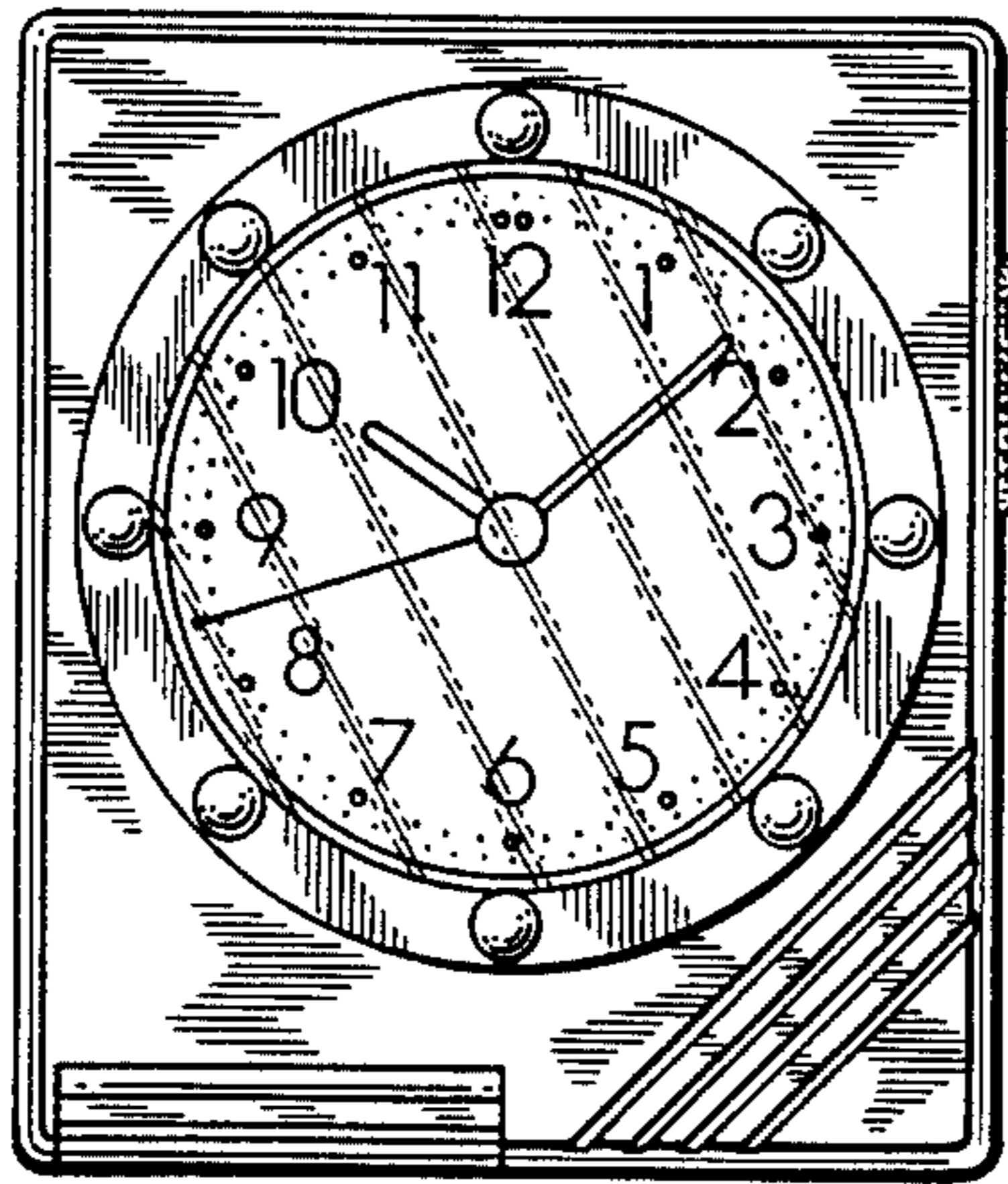


FIG. 1

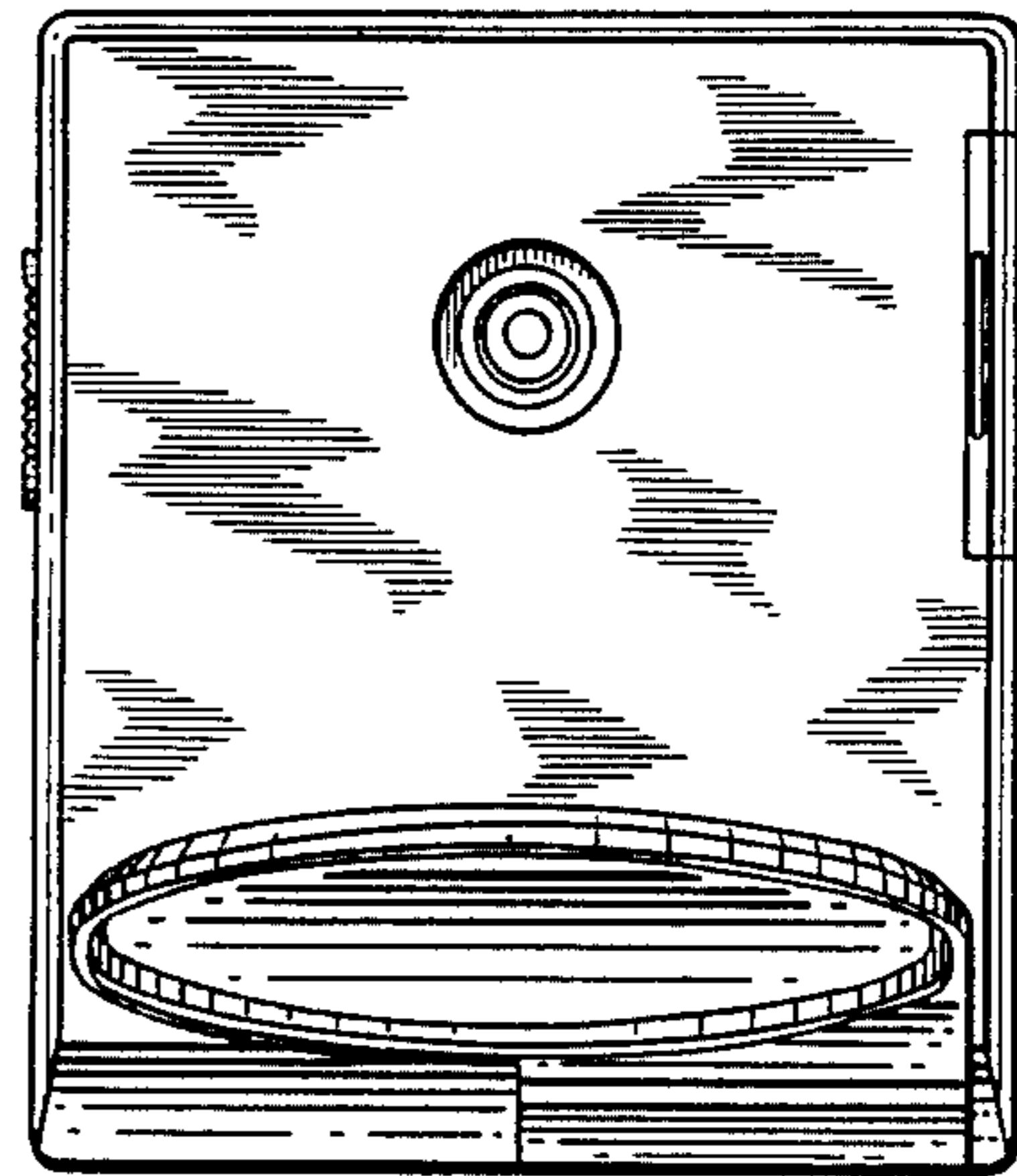


FIG. 2

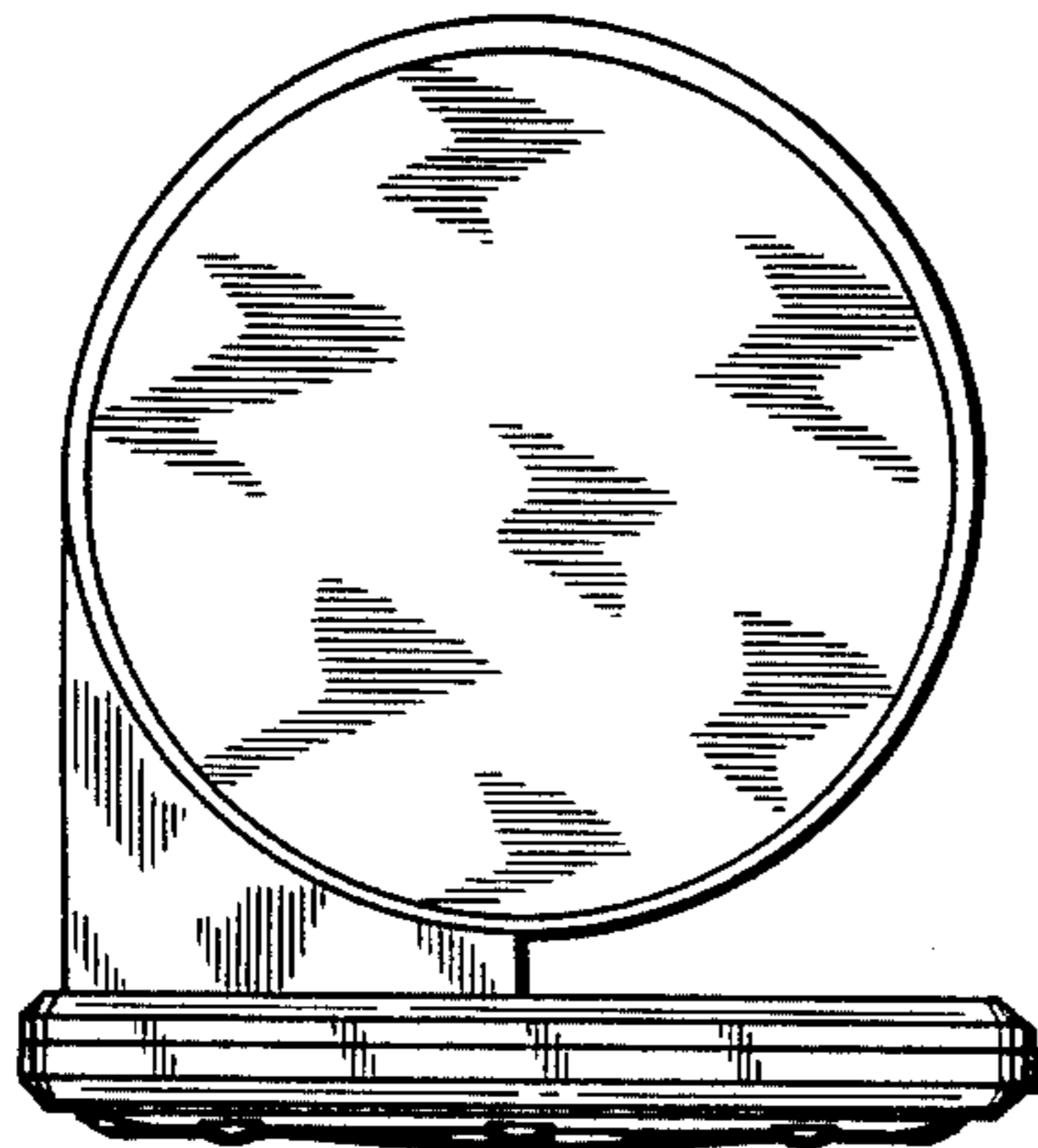


FIG. 3

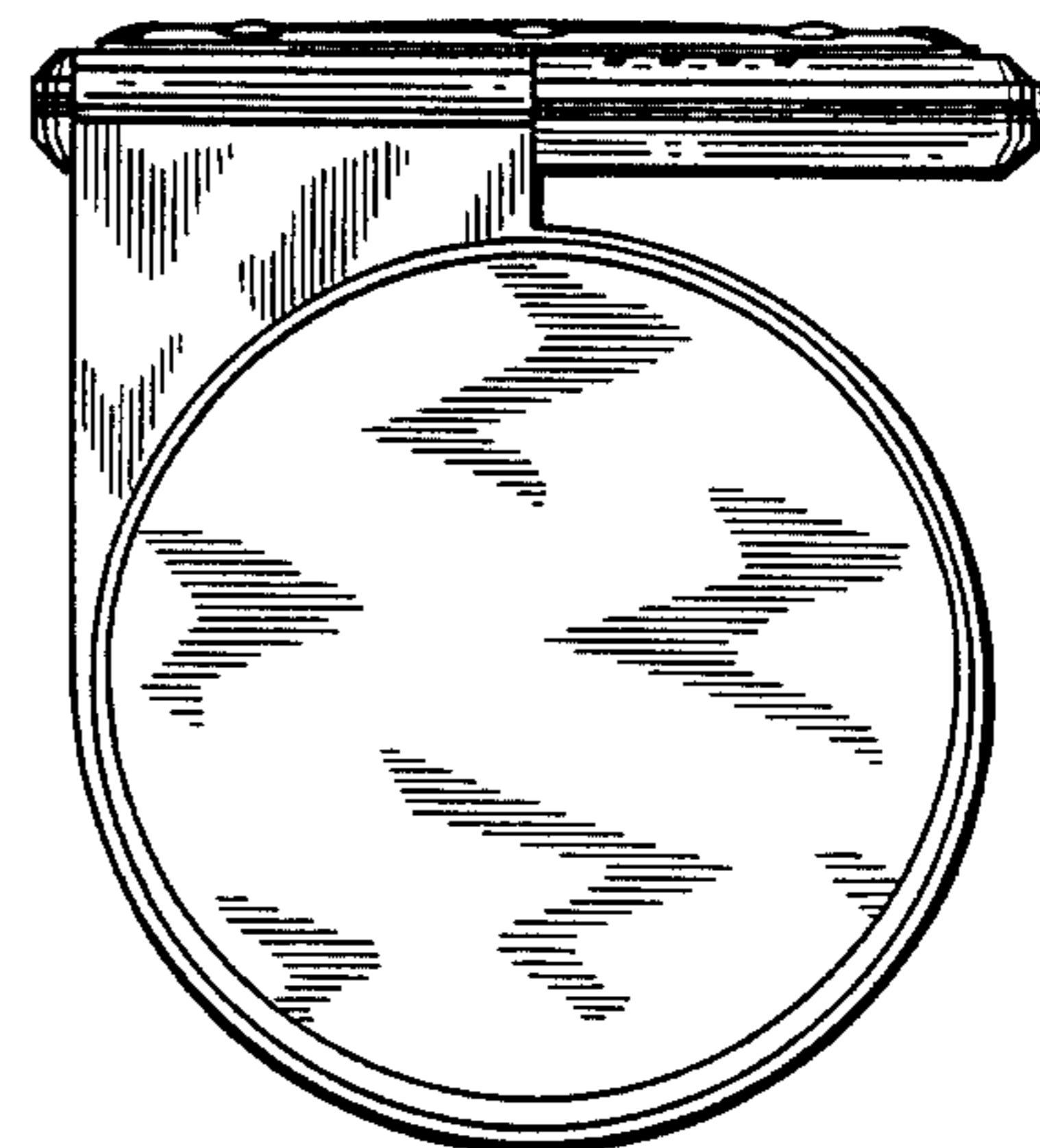


FIG. 4

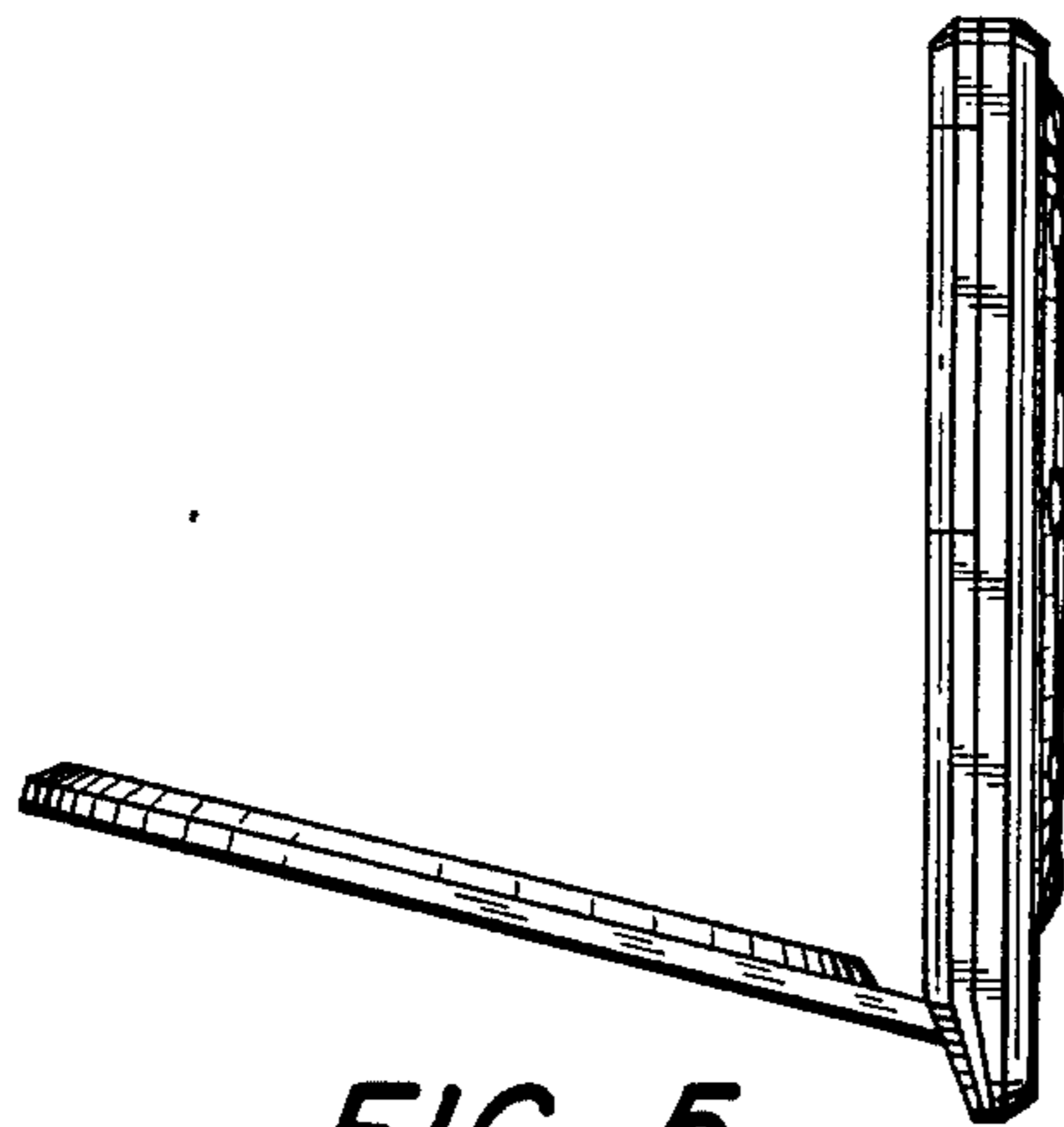


FIG. 5

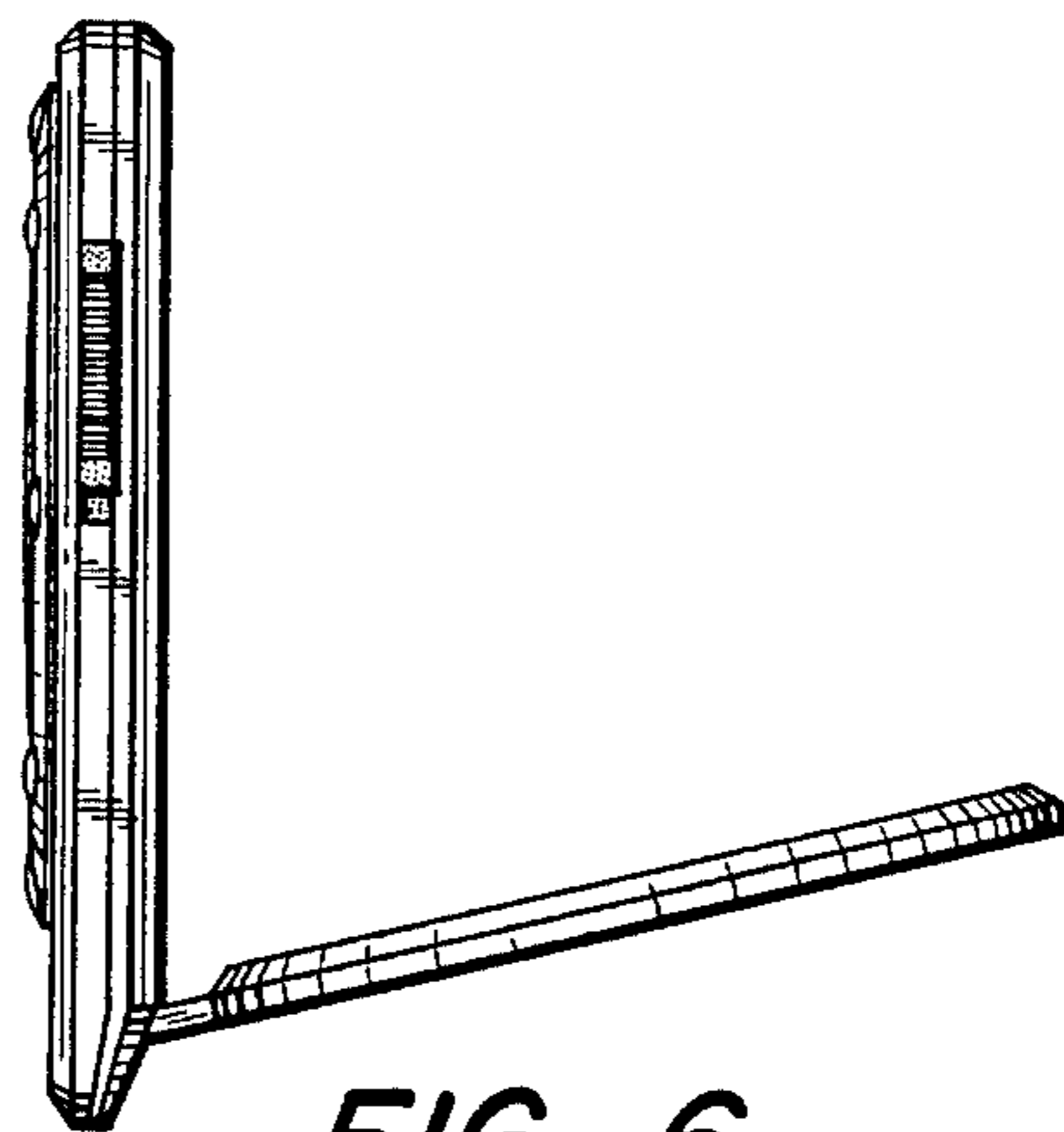


FIG. 6

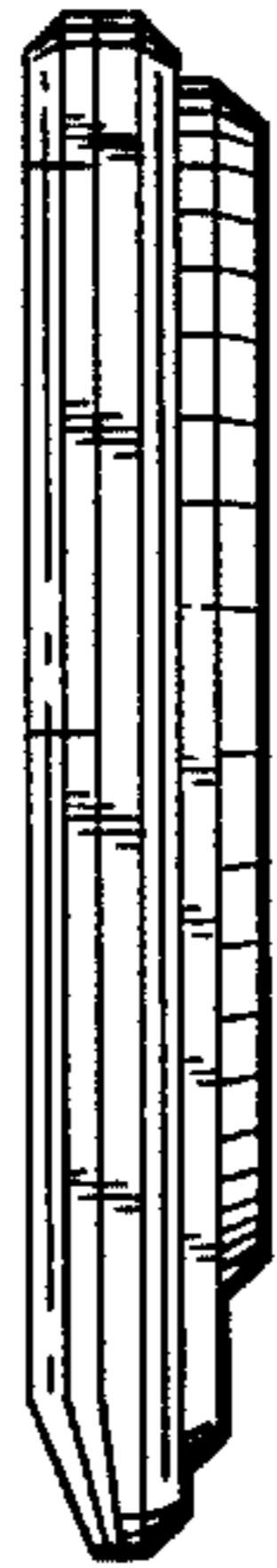


FIG. 8

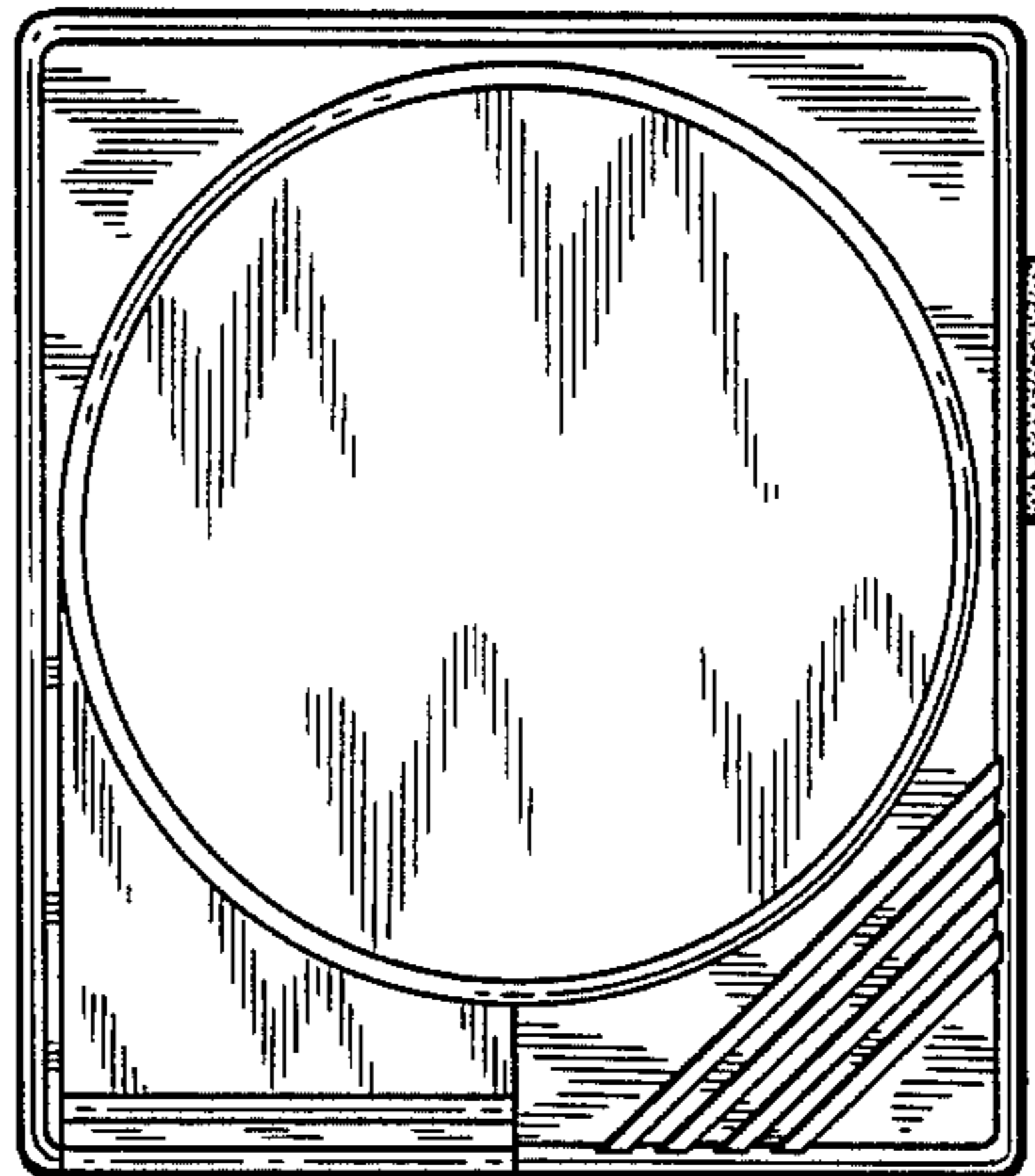


FIG. 7

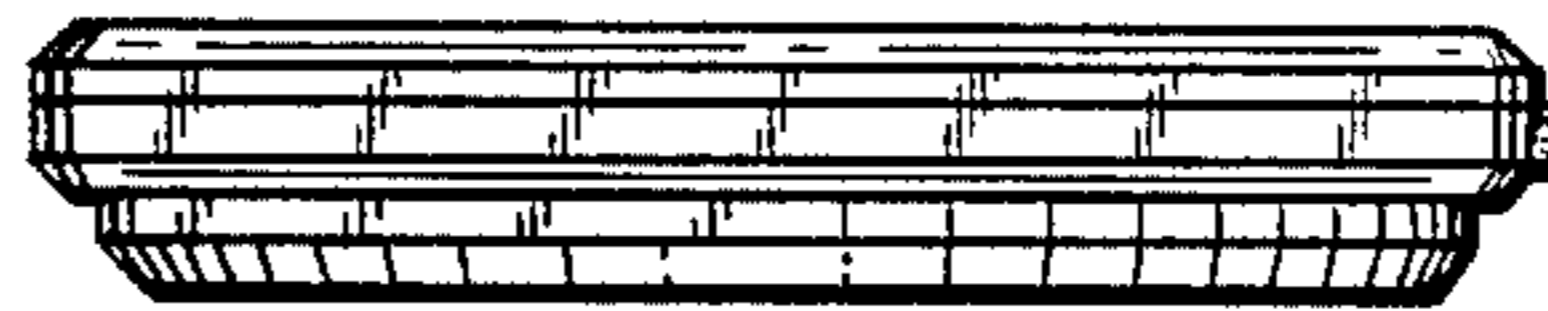


FIG. 9