

[54] PACKAGE

[76] Inventor: Victor J. Grazi, 220 Elberon Blvd., Oakhurst, N.J. 07755

[**] Term: 14 Years

[21] Appl. No.: 873,315

[22] Filed: Jun. 11, 1986

[52] U.S. Cl. D9/415

[58] Field of Search D9/414, 415, 416, 337, D9/432; 206/63.5, 368, 461-465, 471, 806, 45.31, 45.34, 45.14, 566, 348

[56] References Cited

U.S. PATENT DOCUMENTS

D. 227,229	6/1973	Funahashi	D9/415
D. 249,122	8/1978	Bjornsson	D9/415
D. 249,639	9/1978	Hogg et al.	D9/415
3,946,936	3/1976	Brown	206/806 X
4,016,972	4/1977	Szamborski	206/45.14 X

4,219,140	8/1980	Simonoff	206/806 X
4,230,259	10/1980	Herzog	206/806 X
4,349,102	9/1982	Strongwader	206/806 X
4,742,914	5/1988	Klein	206/461

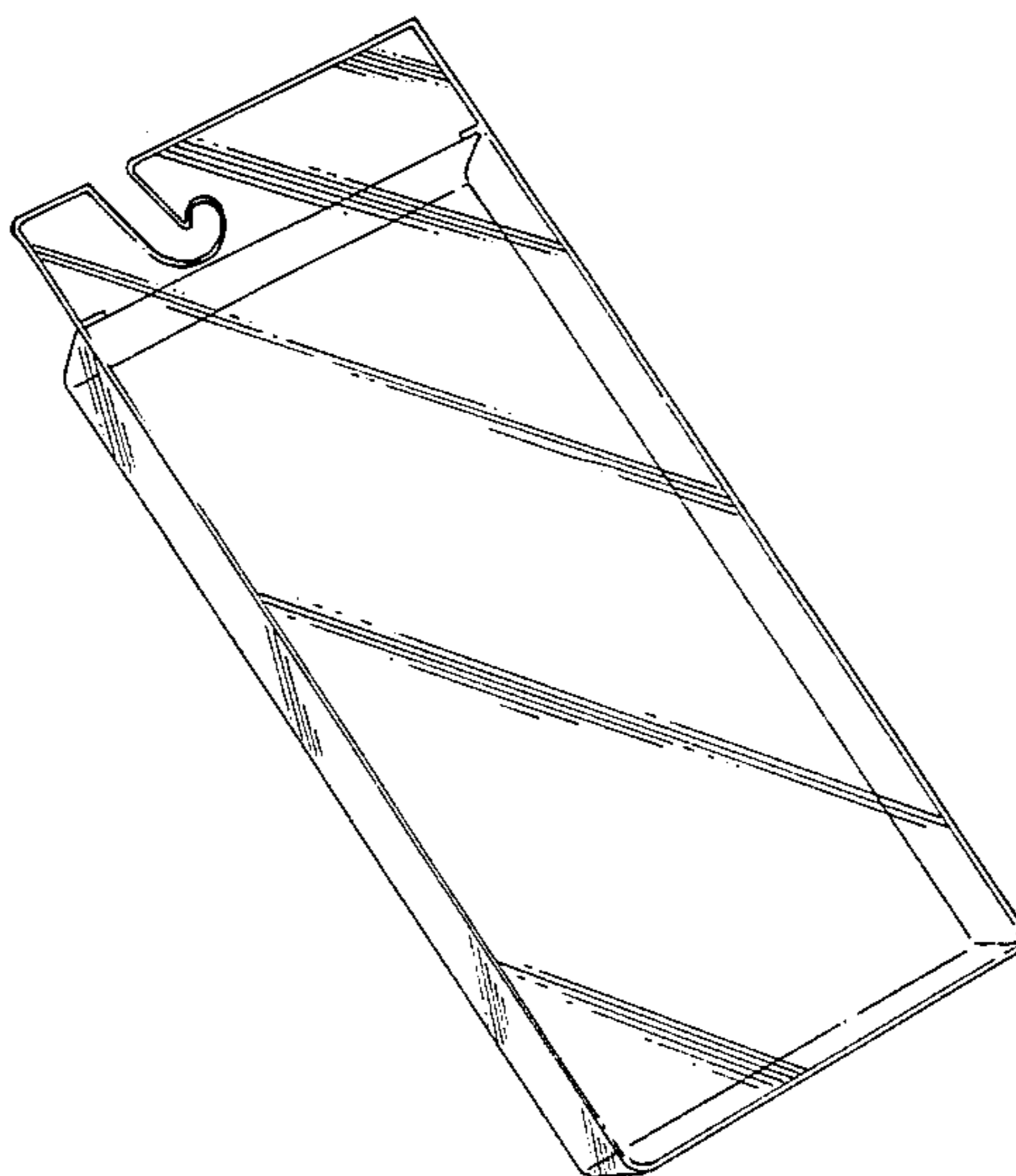
Primary Examiner—Bernard Ansher
Assistant Examiner—Prabhakar Deshmukh
Attorney, Agent, or Firm—Ezra Sutton

[57] CLAIM

The ornamental design for a package, as shown and described.

DESCRIPTION

FIG. 1 is a perspective view of a package showing my new design;
FIG. 2 is a top plan view thereof;
FIG. 3 is a bottom view thereof;
FIG. 4 is a right-side elevational view thereof, the left-side elevational view being a mirror image thereof;
FIG. 5 is a front view thereof; and
FIG. 6 is a rear view thereof.



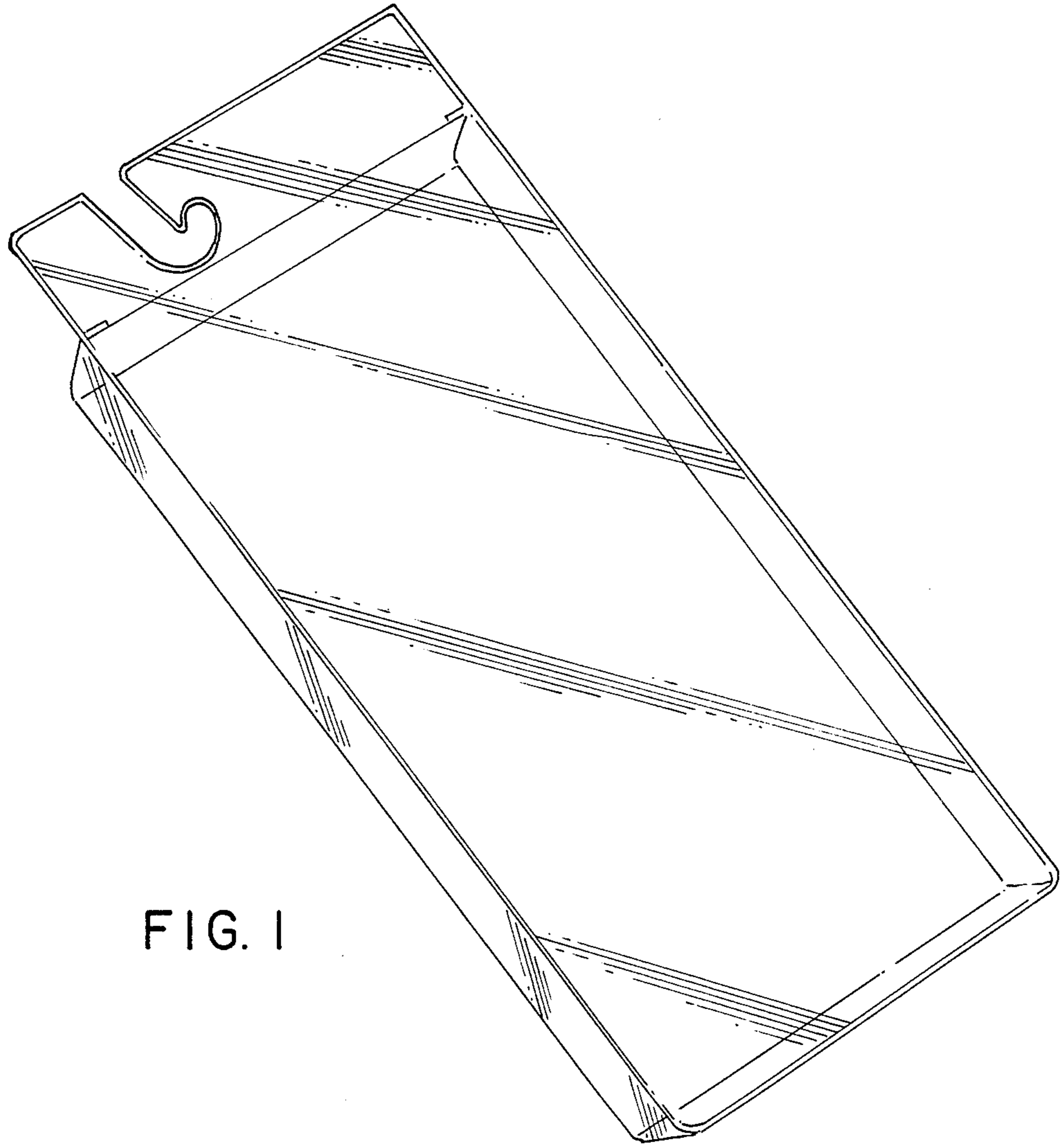


FIG. 1

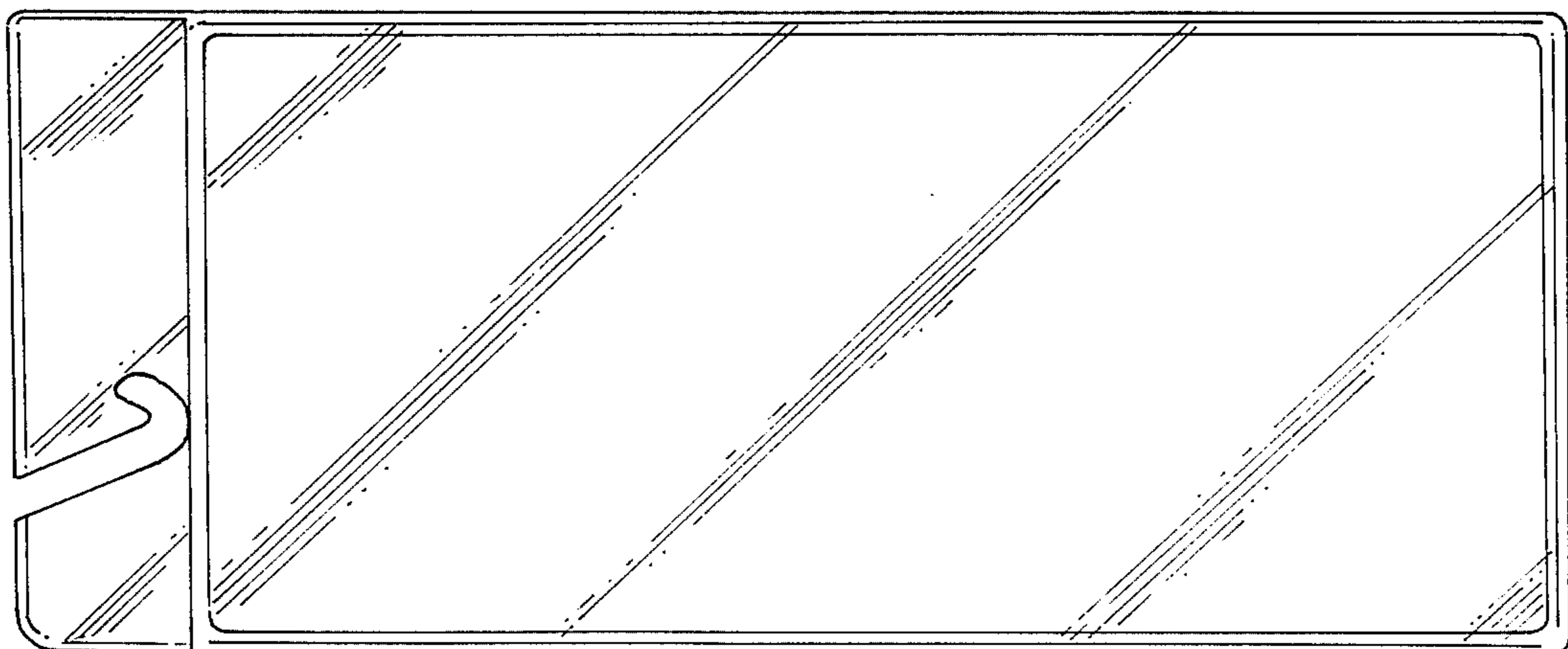


FIG. 2

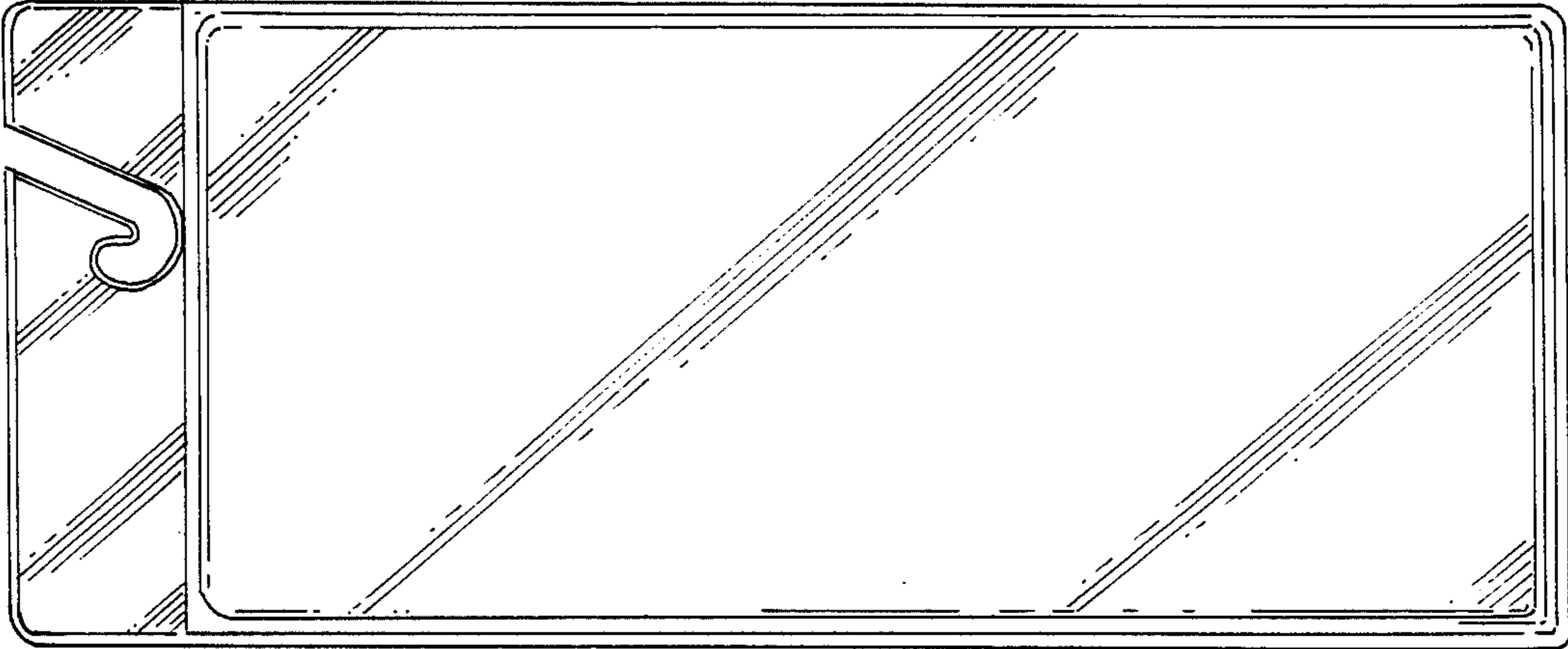


FIG. 3



FIG. 4



FIG. 5



FIG. 6