

[54] TUBE CUTTER

[75] Inventor: William H. Astle, Rancho Cordova, Calif.

[73] Assignee: Tri Tool Inc., Rancho Cordova, Calif.

[\*\*] Term: 14 Years

[21] Appl. No.: 942,599

[22] Filed: Dec. 16, 1986

[52] U.S. CL ..... D8/60; D8/70; D8/98

[58] Field of Search ..... D8/60, 98, 70; 30/99; 82/4 C

[56] References Cited

U.S. PATENT DOCUMENTS

D. 270,808	10/1983	Wolcott	.....	D8/60
882,432	3/1908	Thomas	.....	30/99
1,808,315	6/1931	Nonneman	.....	D8/60 X
2,281,300	4/1942	Waldo	.....	192/43.1

2,379,177	6/1945	Pavey	.....	30/99
3,715,804	2/1973	Kelley	.....	30/102
4,271,733	6/1981	Stone	.....	82/4 C
4,438,562	3/1984	Courty	.....	30/99

Primary Examiner—Bruce W. Dunkins  
Assistant Examiner—Clare E. Heflin  
Attorney, Agent, or Firm—Bacon & Thomas

[57] CLAIM

The ornamental design for a tube cutter, as shown and described.

DESCRIPTION

FIG. 1 is a top plan view of a tube cutter showing my new design;  
FIG. 2 is a front elevational view thereof;  
FIG. 3 is a left side elevational view thereof;  
FIG. 4 is a right side elevational view thereof;  
FIG. 5 is a bottom plan view thereof;  
FIG. 6 is a rear elevational view thereof;  
FIG. 7 is a rear elevational view of the tube cutter showing an alternate embodiment of my new design, all other views being identical to FIGS. 1-5.

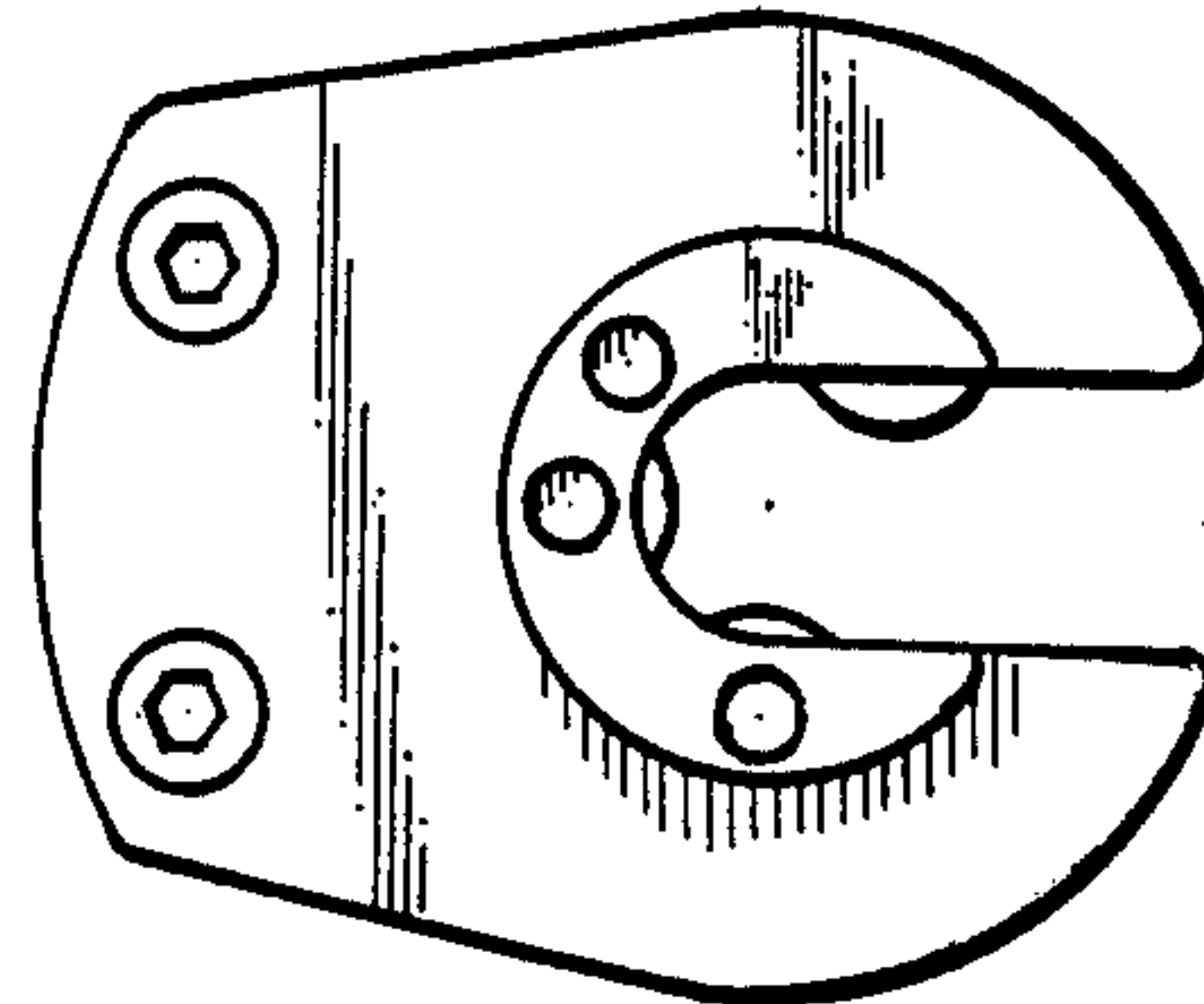
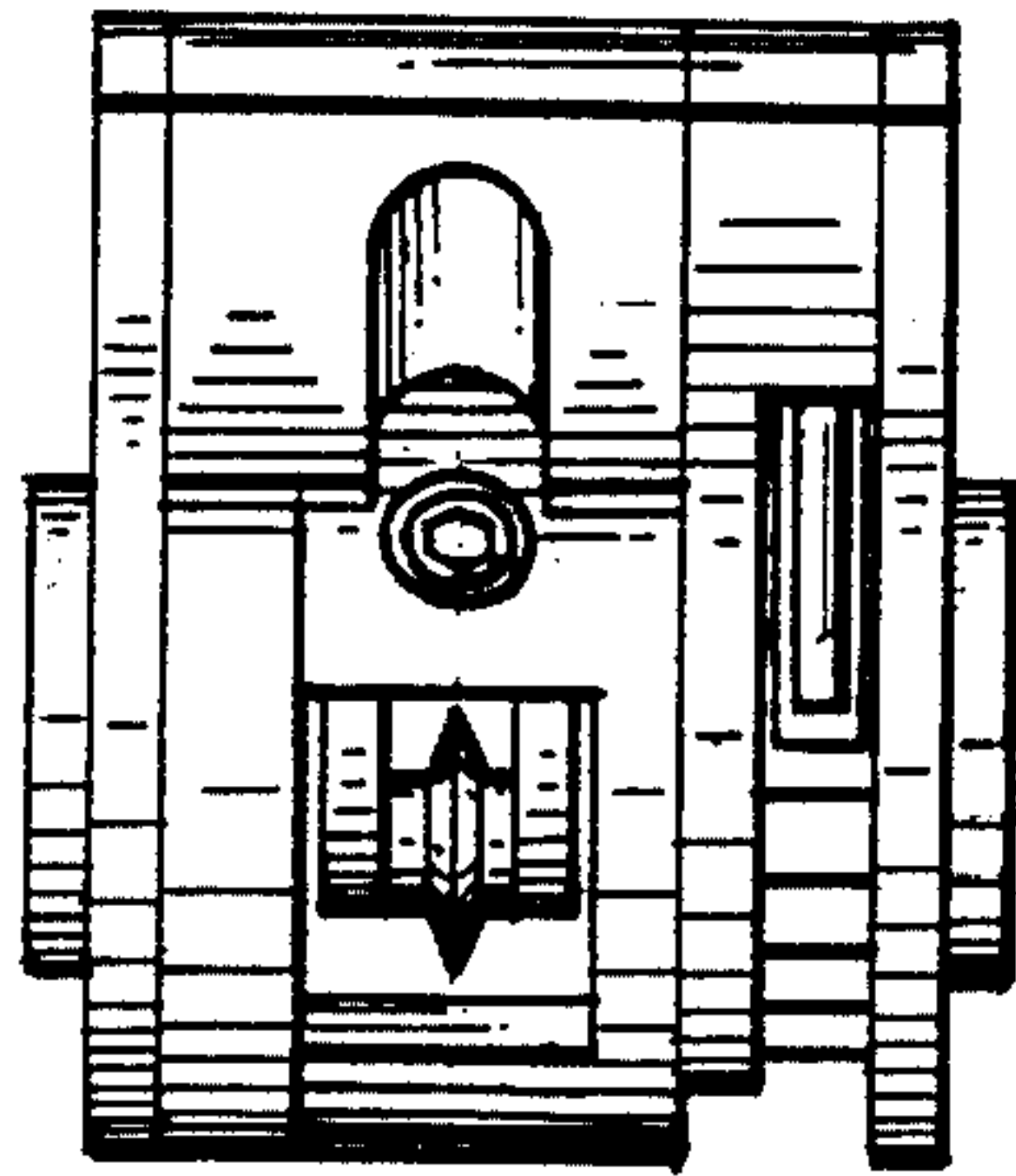


Fig. 1

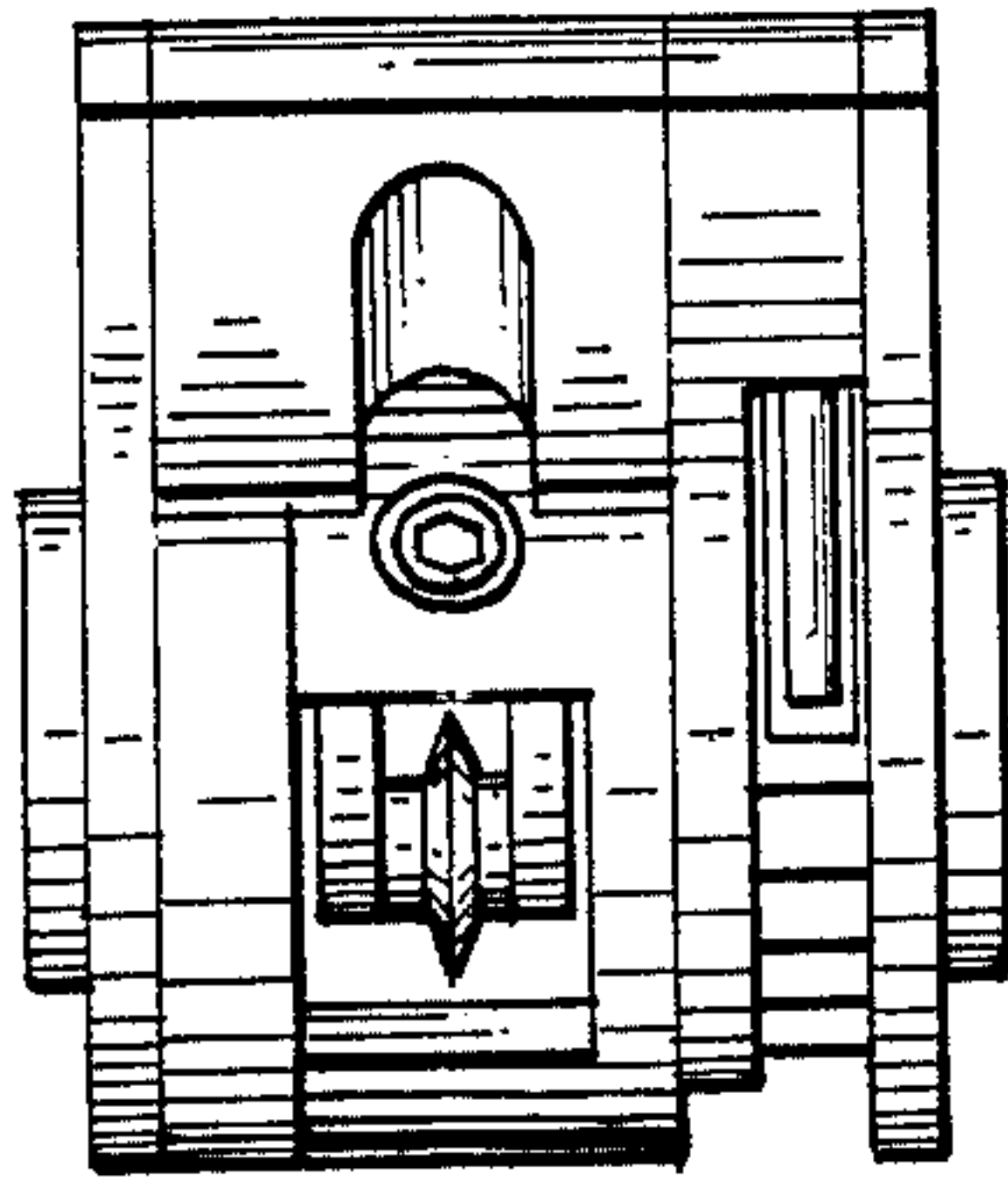


Fig. 3

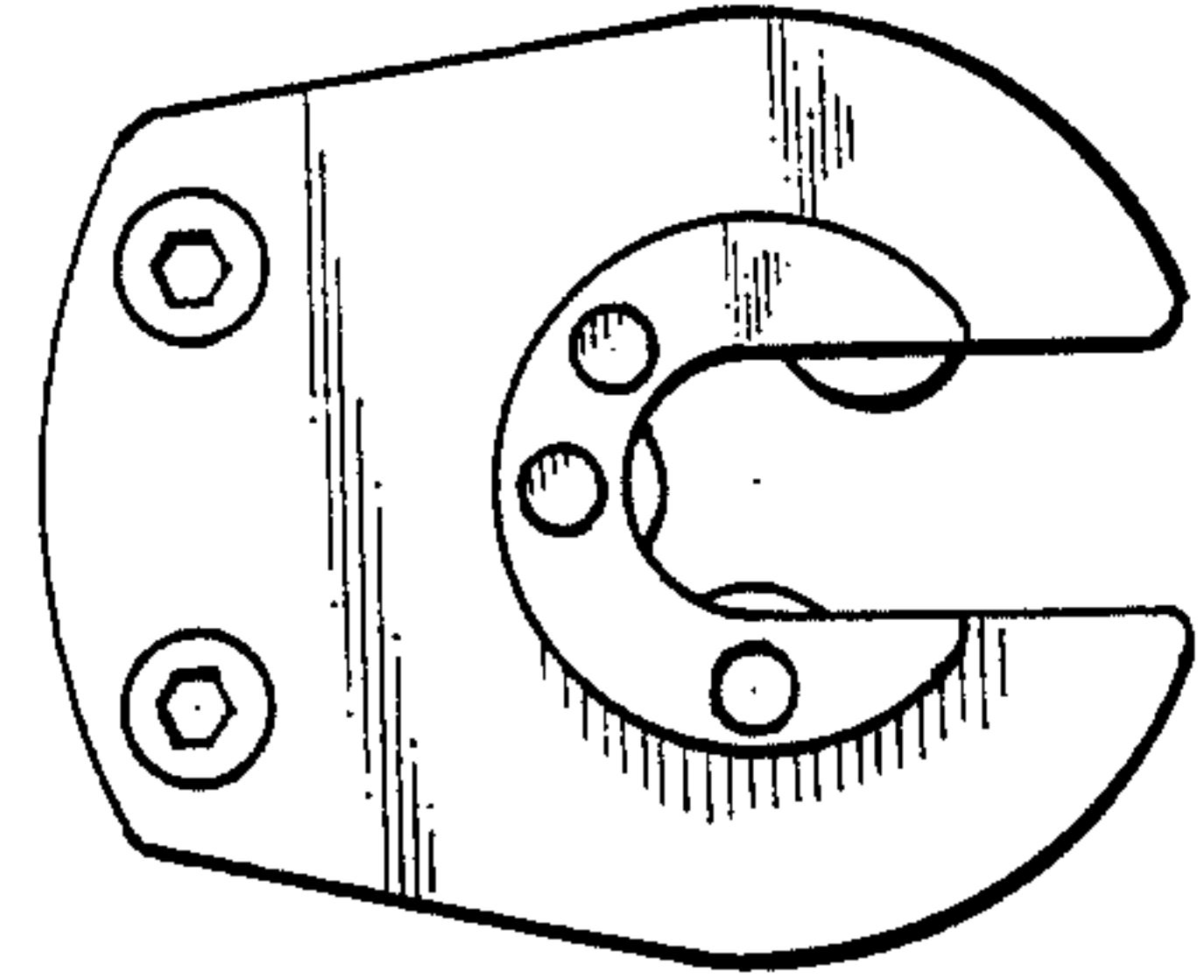


Fig. 2

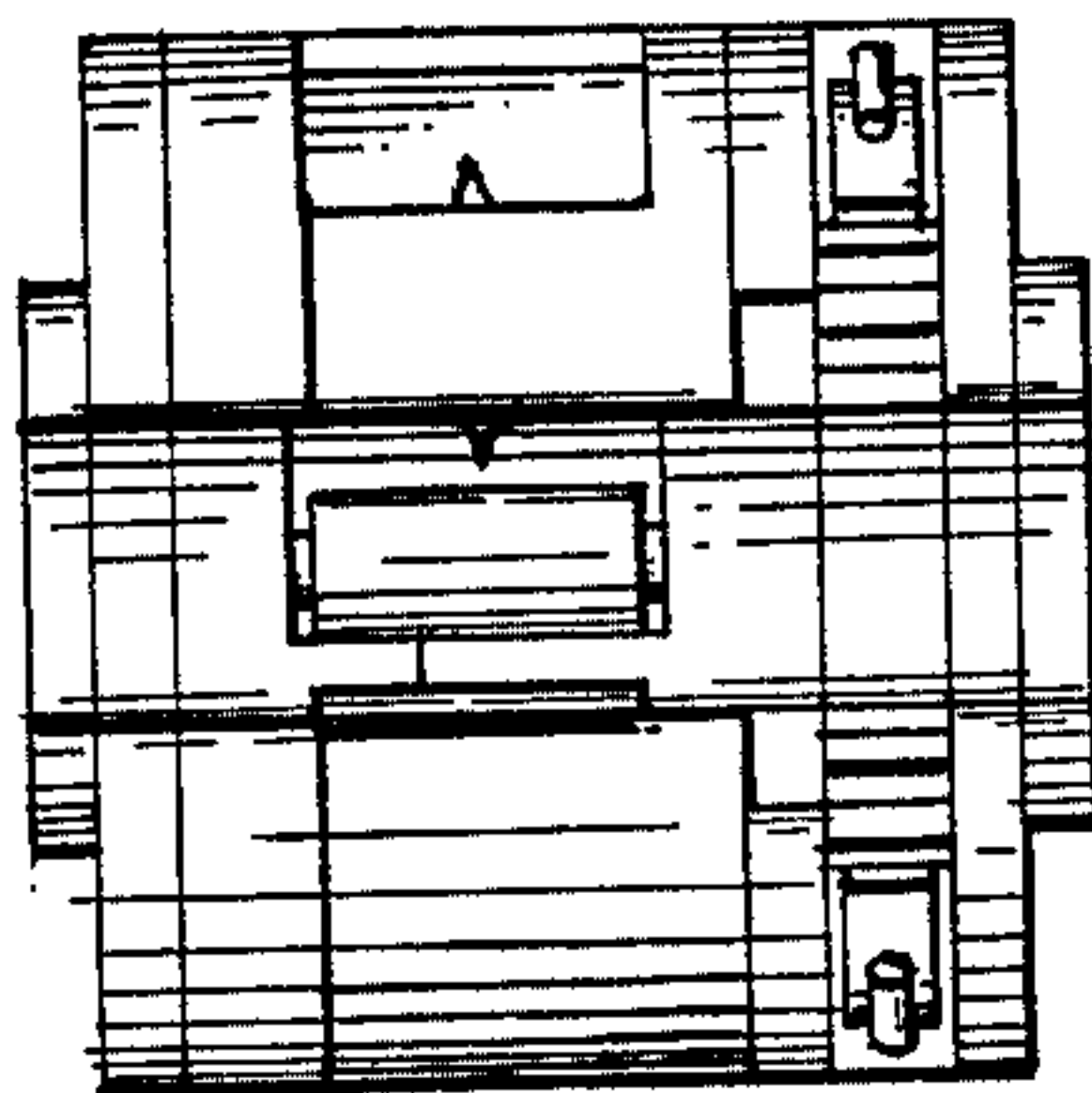


Fig. 4

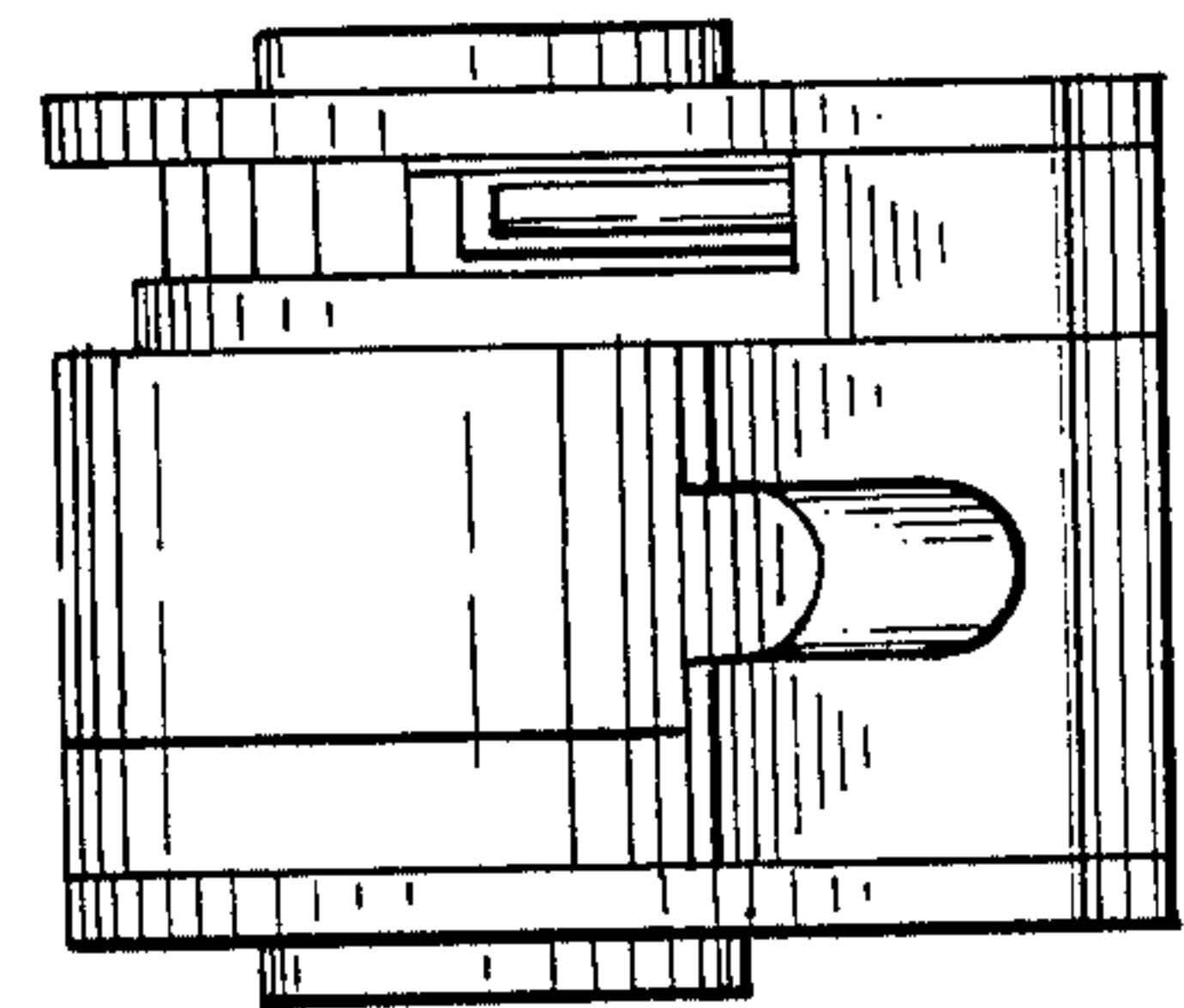
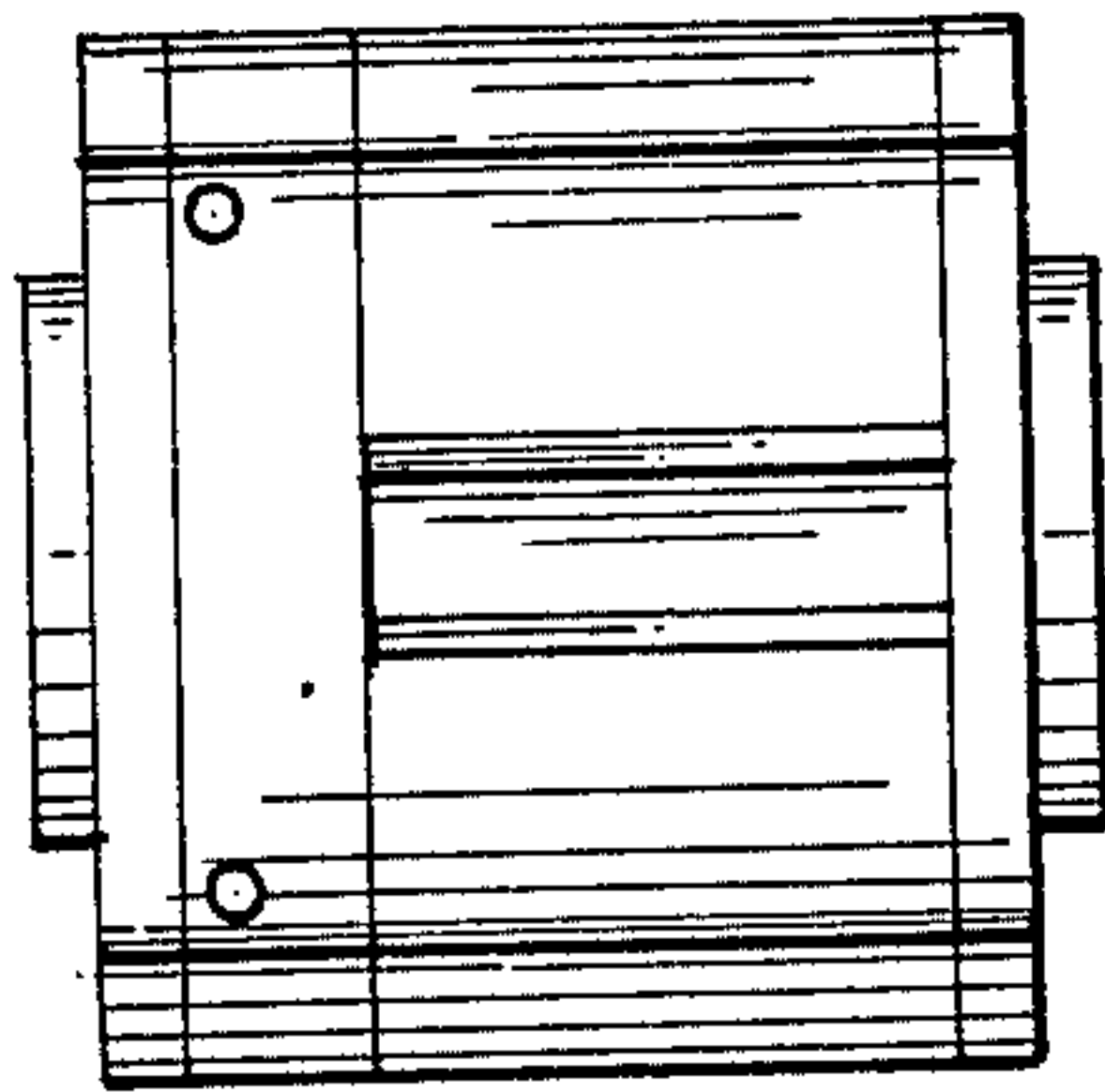
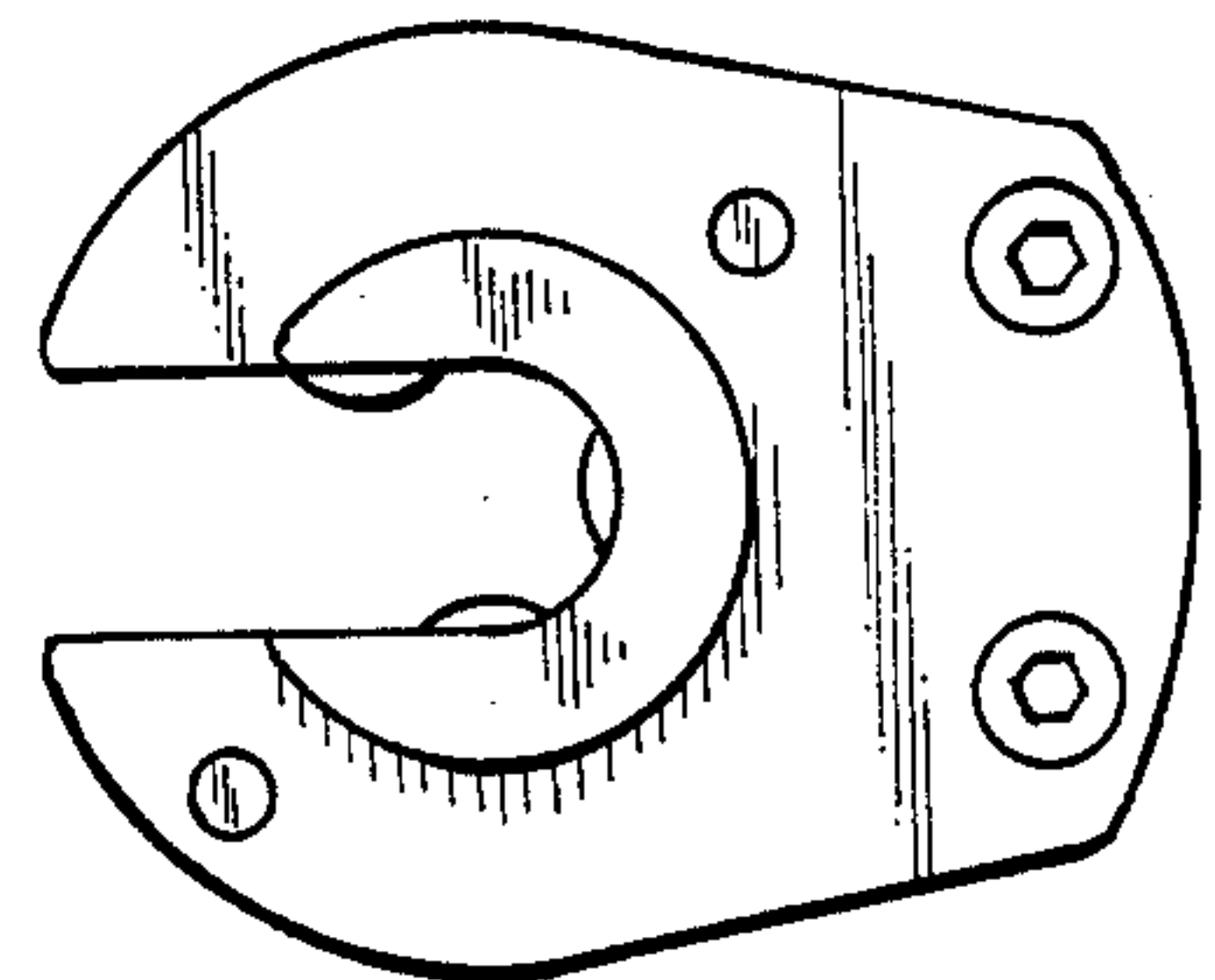


Fig. 6

Fig. 5

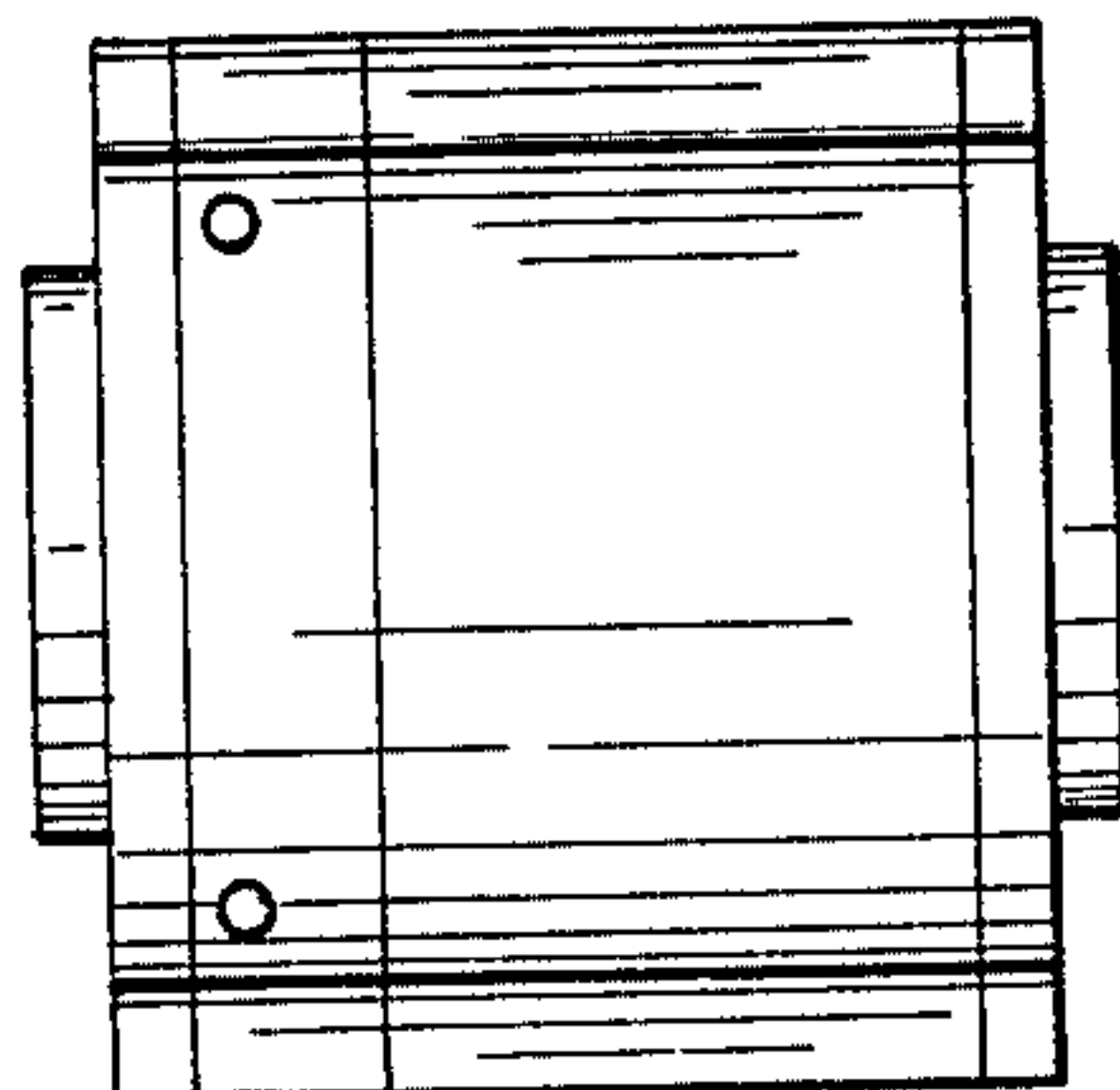


Fig. 7