

- [54] **ADJUSTABLE CEILING-MOUNTED APPLIANCE SUPPORT**
- [75] Inventors: **William L. Boscacci; Edward L. O'Neill**, both of San Leandro, Calif.
- [73] Assignee: **Lucasey Manufacturing Corporation**, Oakland, Calif.
- [\*\*] Term: **14 Years**
- [21] Appl. No.: **94,930**
- [22] Filed: **Sep. 9, 1987**
- [52] U.S. Cl. .... **D8/373**
- [58] Field of Search ..... **D8/349, 354-355, D8/363, 373-374, 380; 248/670, 220.2, 235, 241, 274, 284, 281.1, 291, 309.1, 310, 317, 323-324; 108/149**

2,827,350	3/1958	Galloway .....	108/149	X
3,433,444	3/1969	Smith .....	248/324	X
3,916,967	11/1975	Carlisle et al. ....	248/324	X
4,266,747	5/1981	Souder, Jr. et al. ....	248/280.1	
4,417,714	11/1983	Charm .....	248/323	
4,447,031	5/1984	Souder, Jr. et al. ....	248/280.1	

*Primary Examiner*—Wallace R. Burke  
*Assistant Examiner*—Brian N. Vinson  
*Attorney, Agent, or Firm*—Niro, Scavone, Haller & Niro, Ltd.

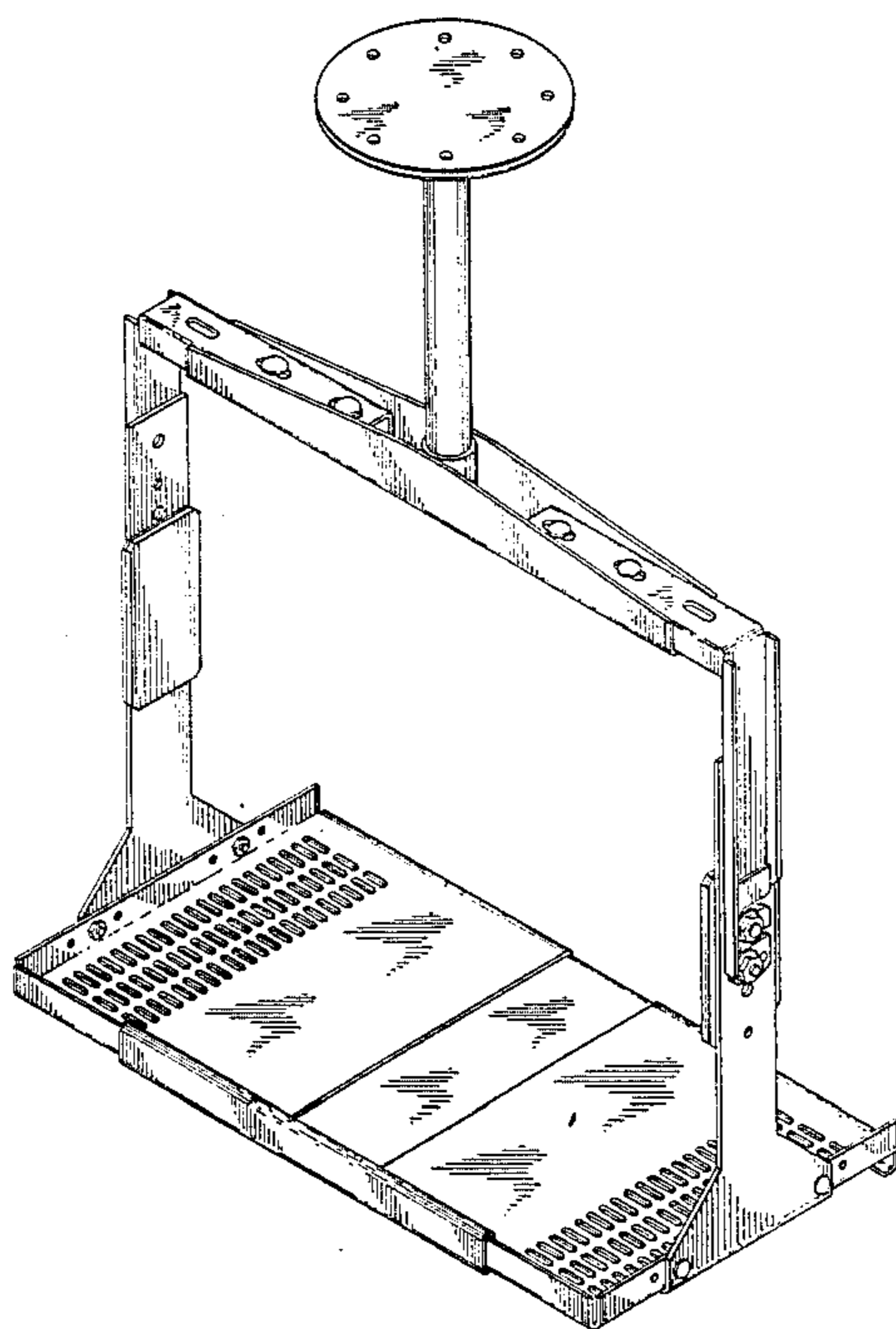
[57] **CLAIM**

The ornamental design for an adjustable ceiling-mounted appliance support, as shown.

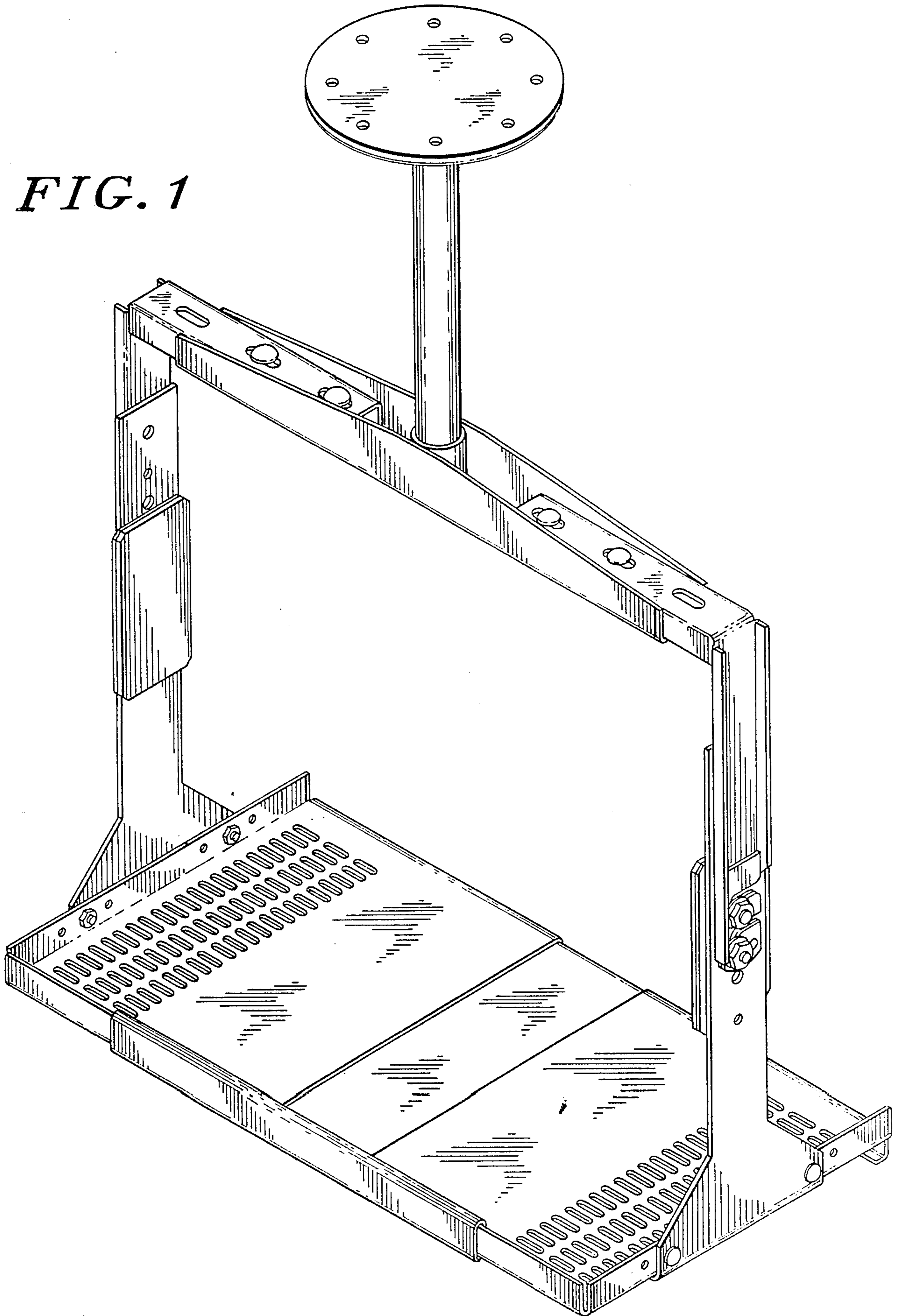
**DESCRIPTION**

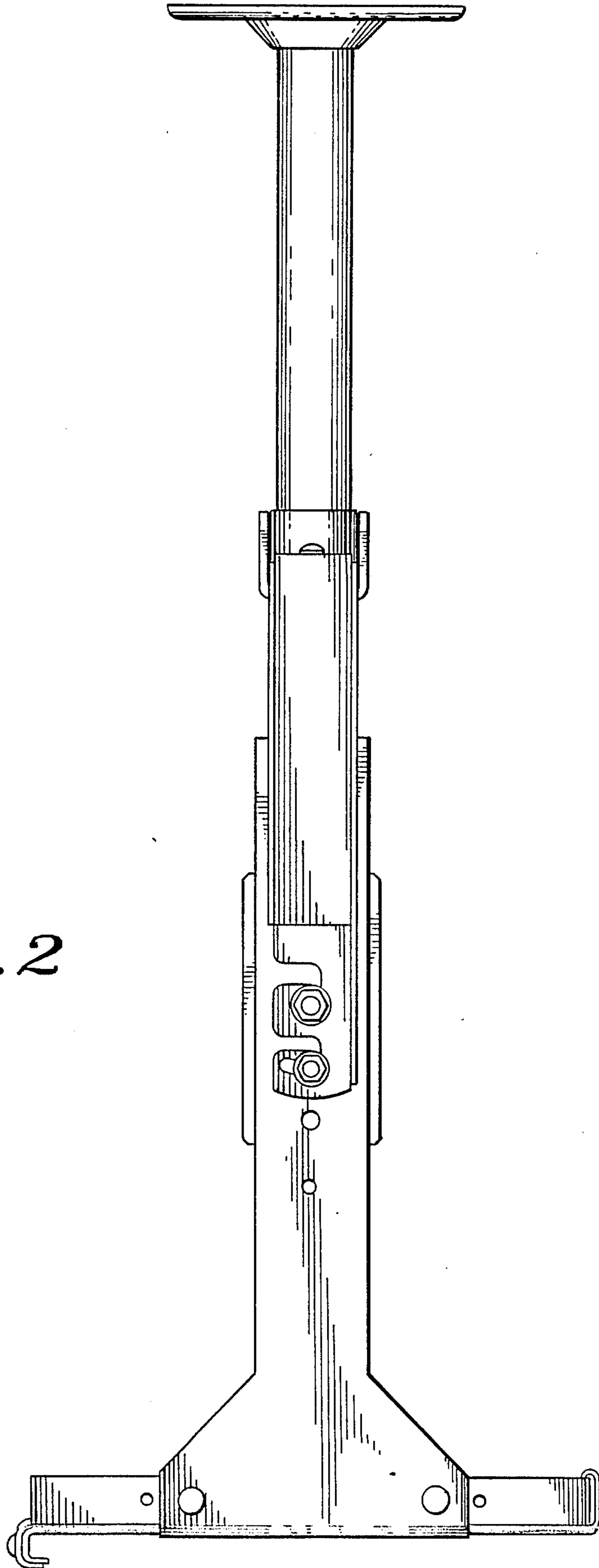
FIG. 1 is a top, front and right side perspective view of an adjustable ceiling-mounted appliance support showing our new design;  
 FIG. 2 is a left side elevational view thereof;  
 FIG. 3 is a rear elevational view thereof; and  
 FIG. 4 is a bottom plan view thereof.

- [56] **References Cited**  
**U.S. PATENT DOCUMENTS**  
 D. 196,439 10/1963 Wann ..... D8/363



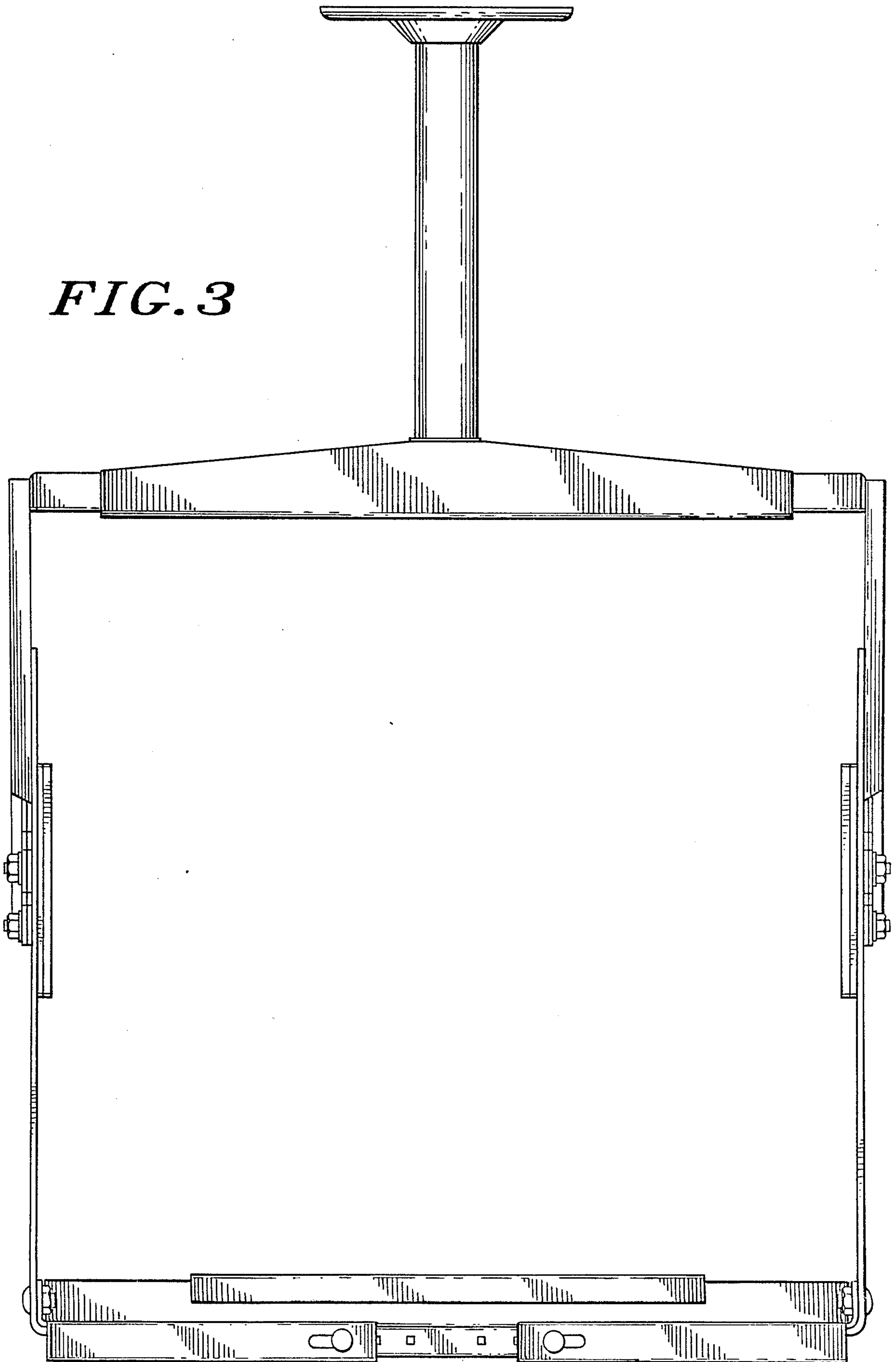
*FIG. 1*





*FIG. 2*

*FIG. 3*





*FIG. 4*

