

[54] **ELECTRICAL WIRING HARNESS
RETAINER**

3,664,620 5/1972 Branum 248/63
4,480,808 11/1984 Reinier 248/73

[75] **Inventor: Peter M. Collins, Richton Park, Ill.**

Primary Examiner—Susan J. Lucas

Assistant Examiner—M. H. Tung

[73] **Assignee: Illinois Tool Works, Inc., Chicago, Ill.**

Attorney, Agent, or Firm—John P. O'Brien; Thomas W. Buckman

[**] **Term: 14 Years**

[57] **CLAIM**

[21] **Appl. No.: 895,252**

The ornamental design for a electrical wiring harness retainer, as shown.

[22] **Filed: Aug. 11, 1986**

[52] **U.S. Cl. D8/356**

[58] **Field of Search D8/349, 354, 356;
248/71, 73, 72, 216.4, 63, 74.5**

DESCRIPTION

FIG. 1 is a front elevational view of an electrical wiring harness retainer showing my new design;
FIG. 2 is a rear elevational view thereof;
FIG. 3 is a right side elevational view thereof;
FIG. 4 is a left side elevational view thereof;
FIG. 5 is a bottom plan view thereof;
FIG. 6 is a top plan view thereof;
FIG. 7 is a front perspective view thereof.

[56] **References Cited**

U.S. PATENT DOCUMENTS

3,498,575 3/1970 Downing 248/71
3,529,795 9/1970 Van Niel 248/71

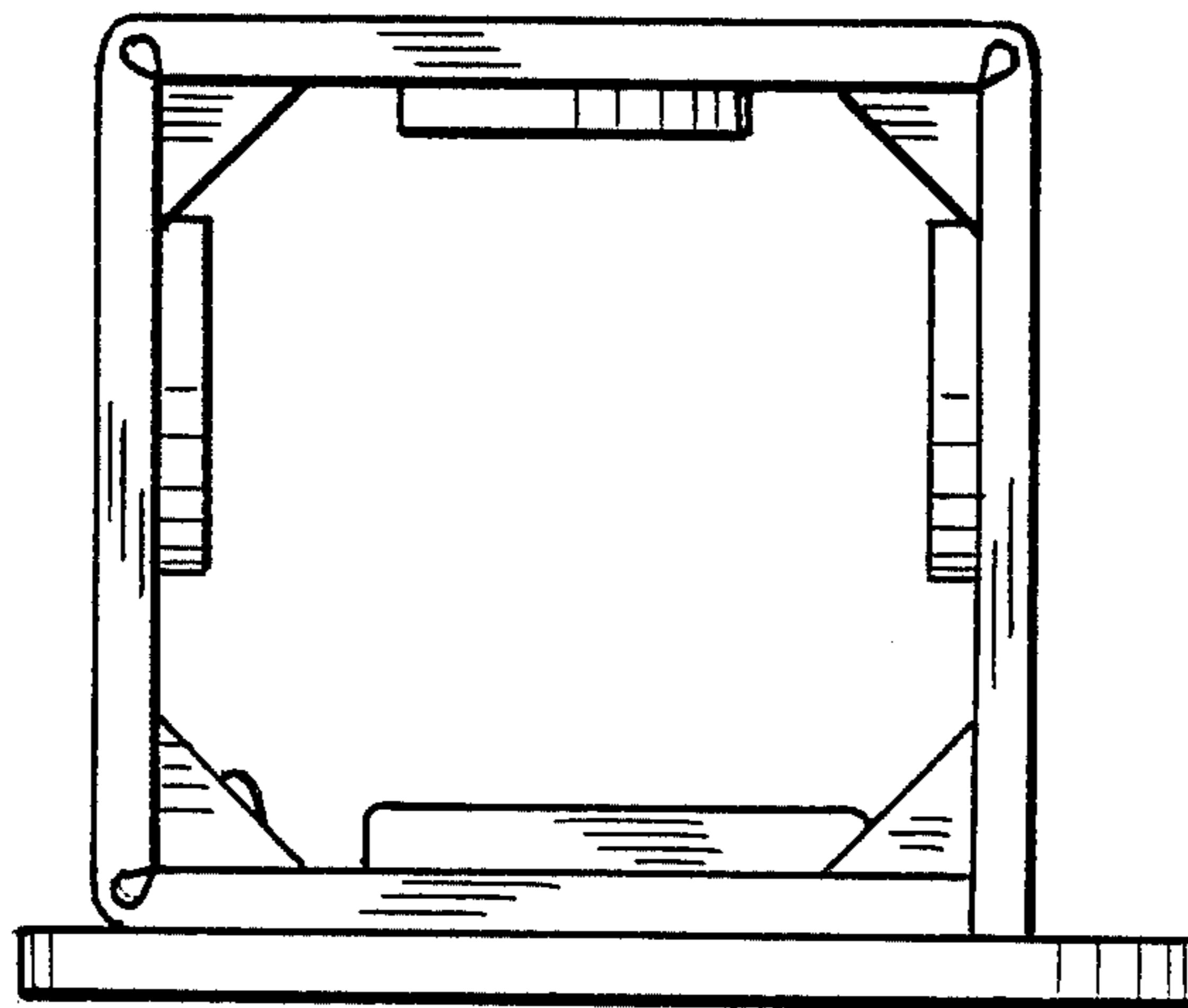


Fig. 1

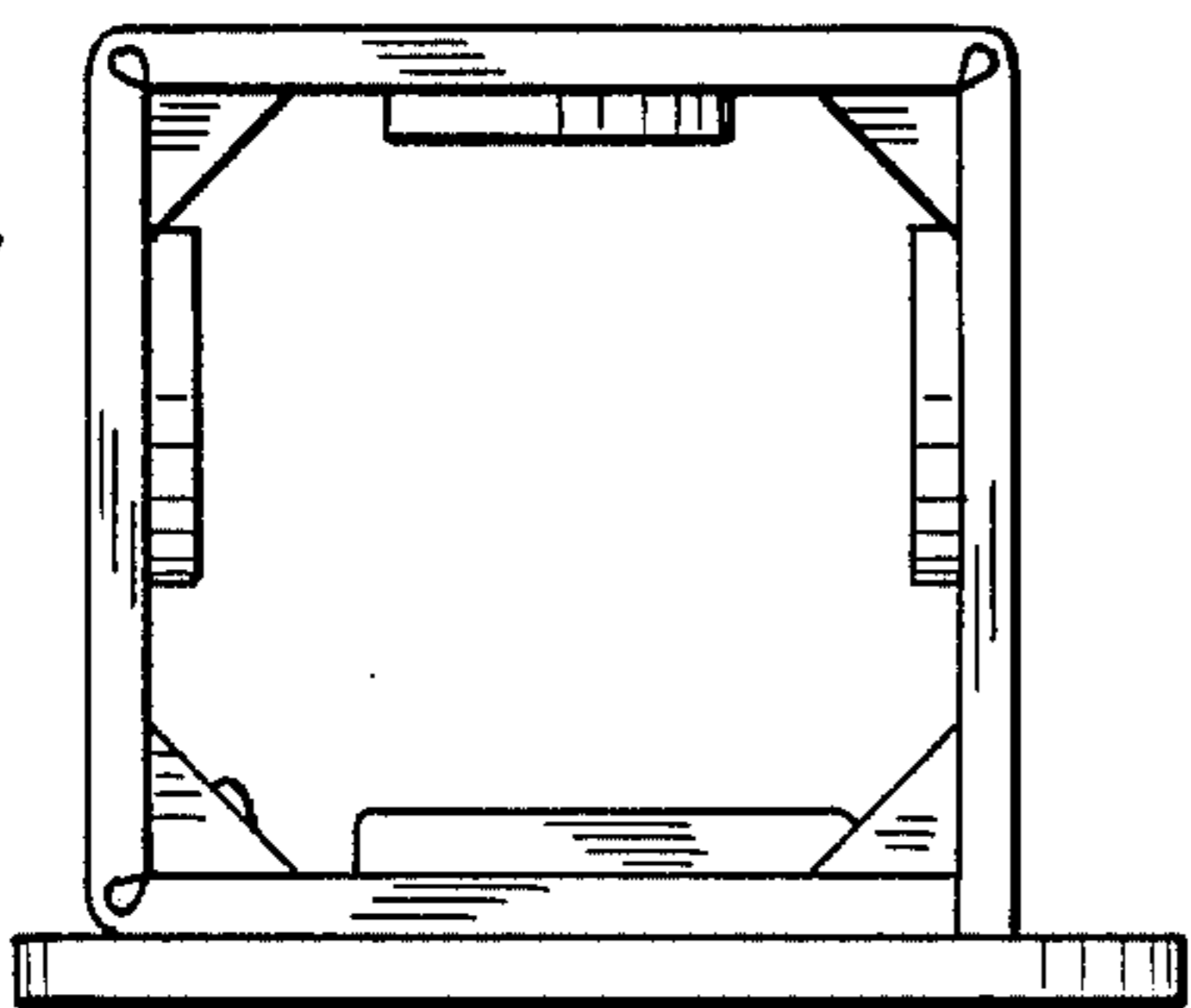


Fig. 2

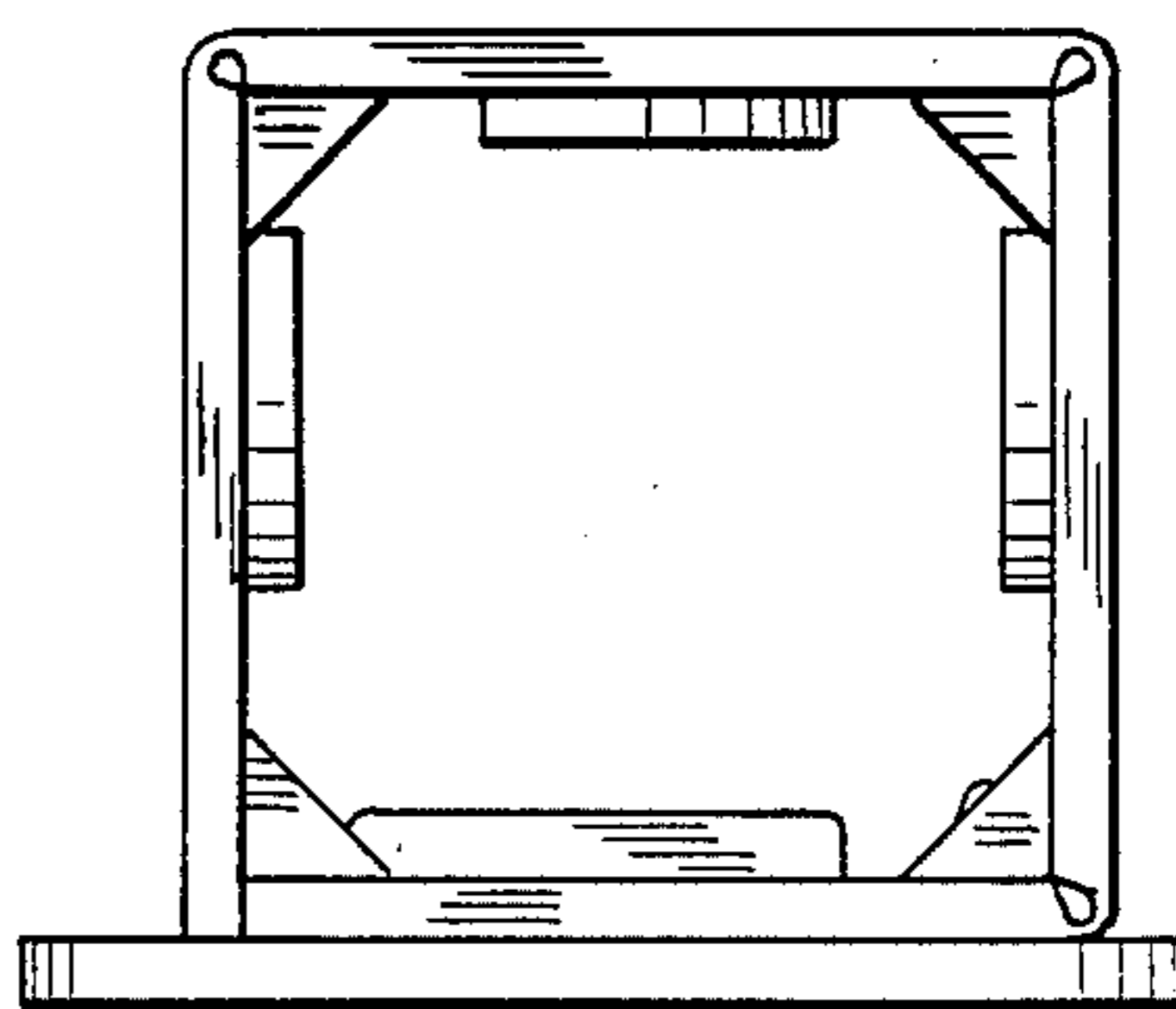


Fig. 3

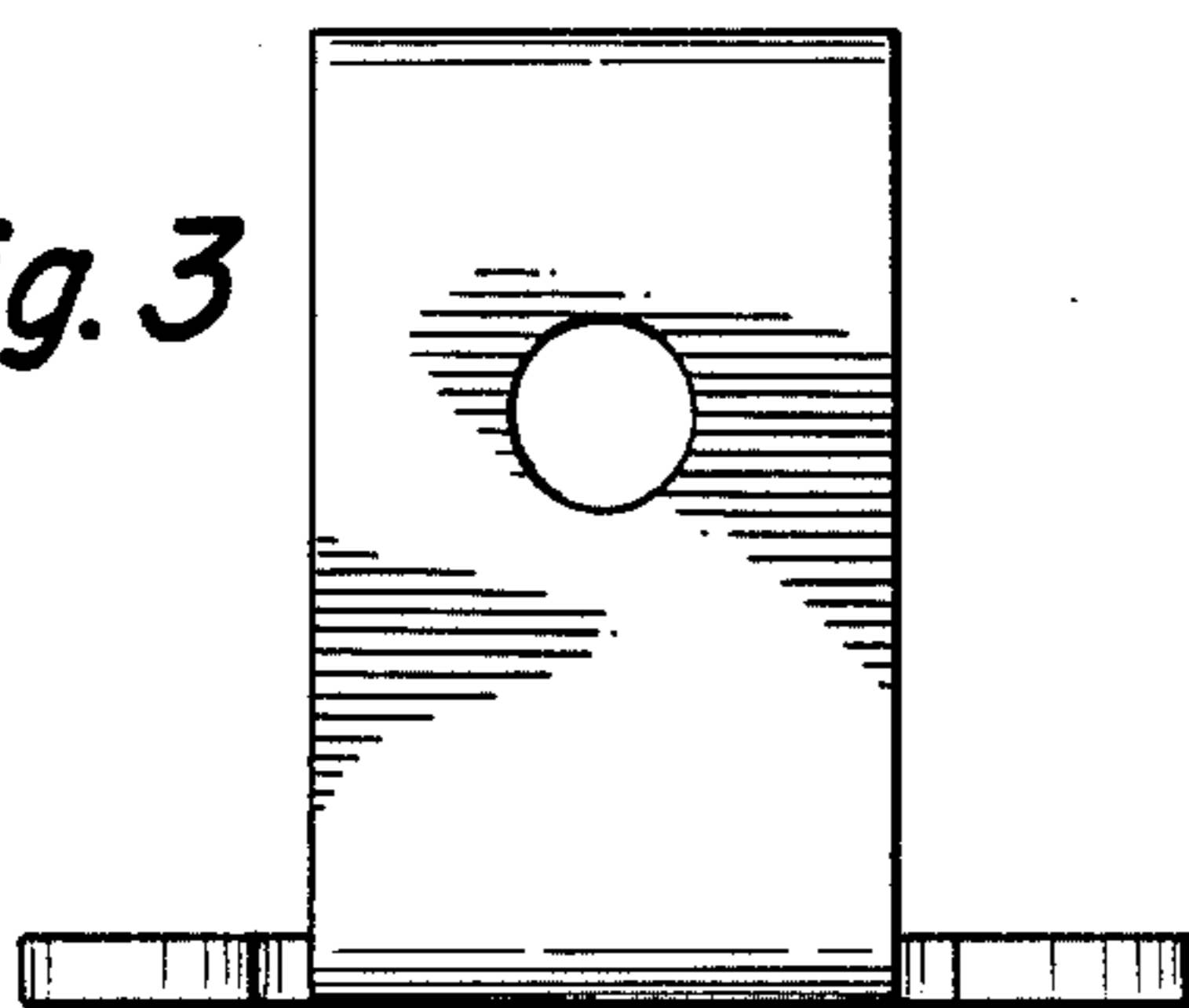


Fig. 4

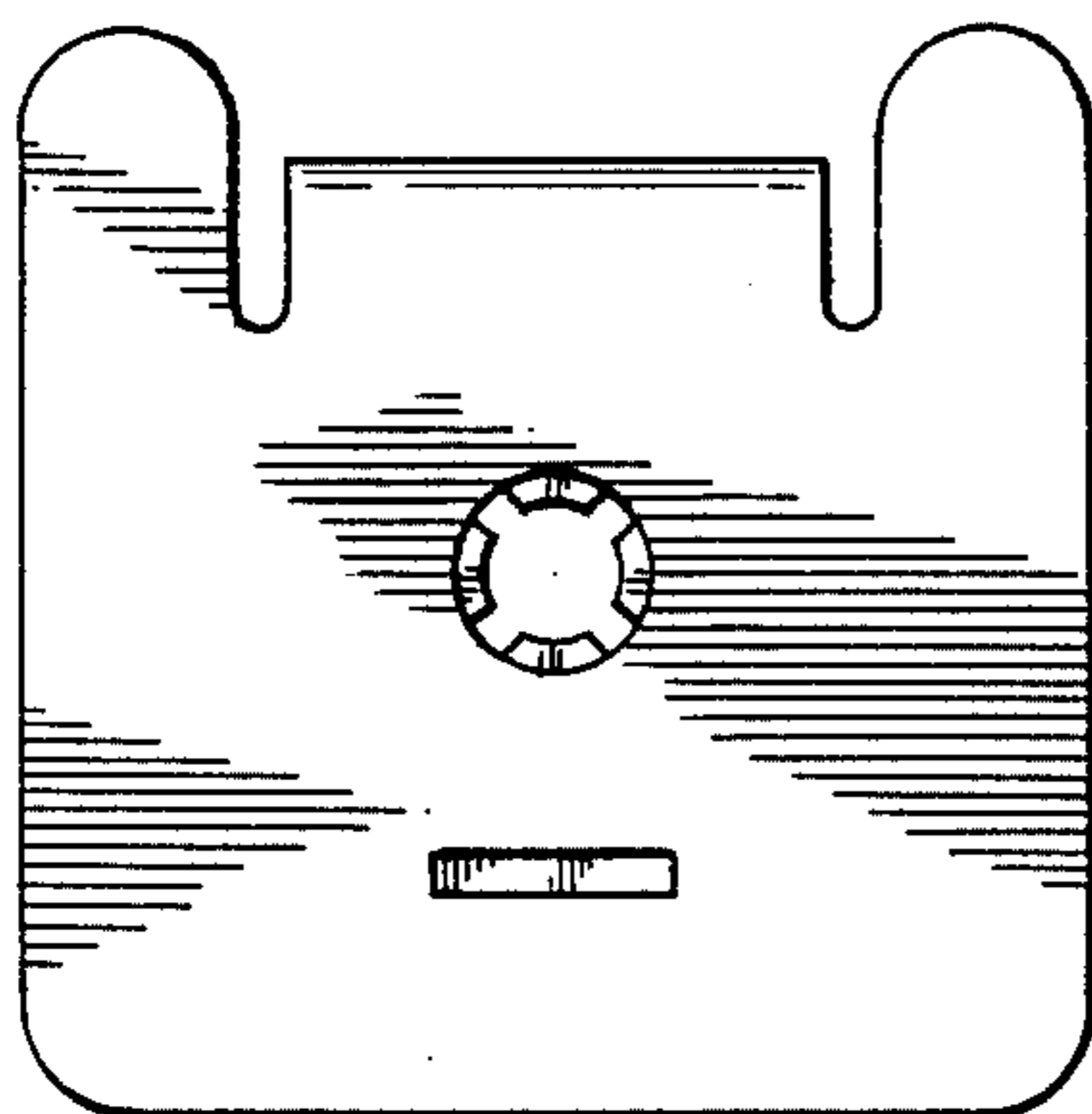
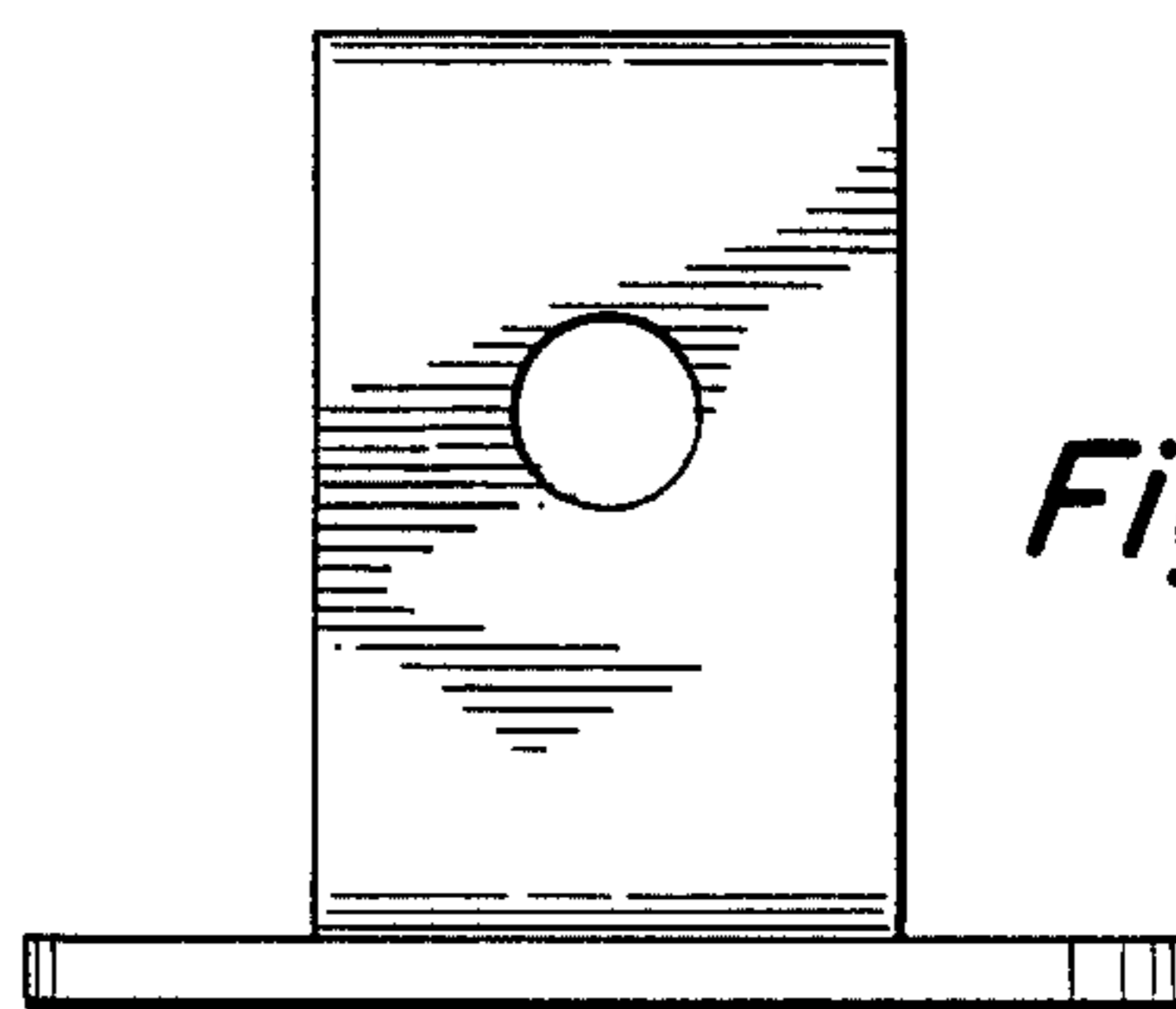


Fig. 5

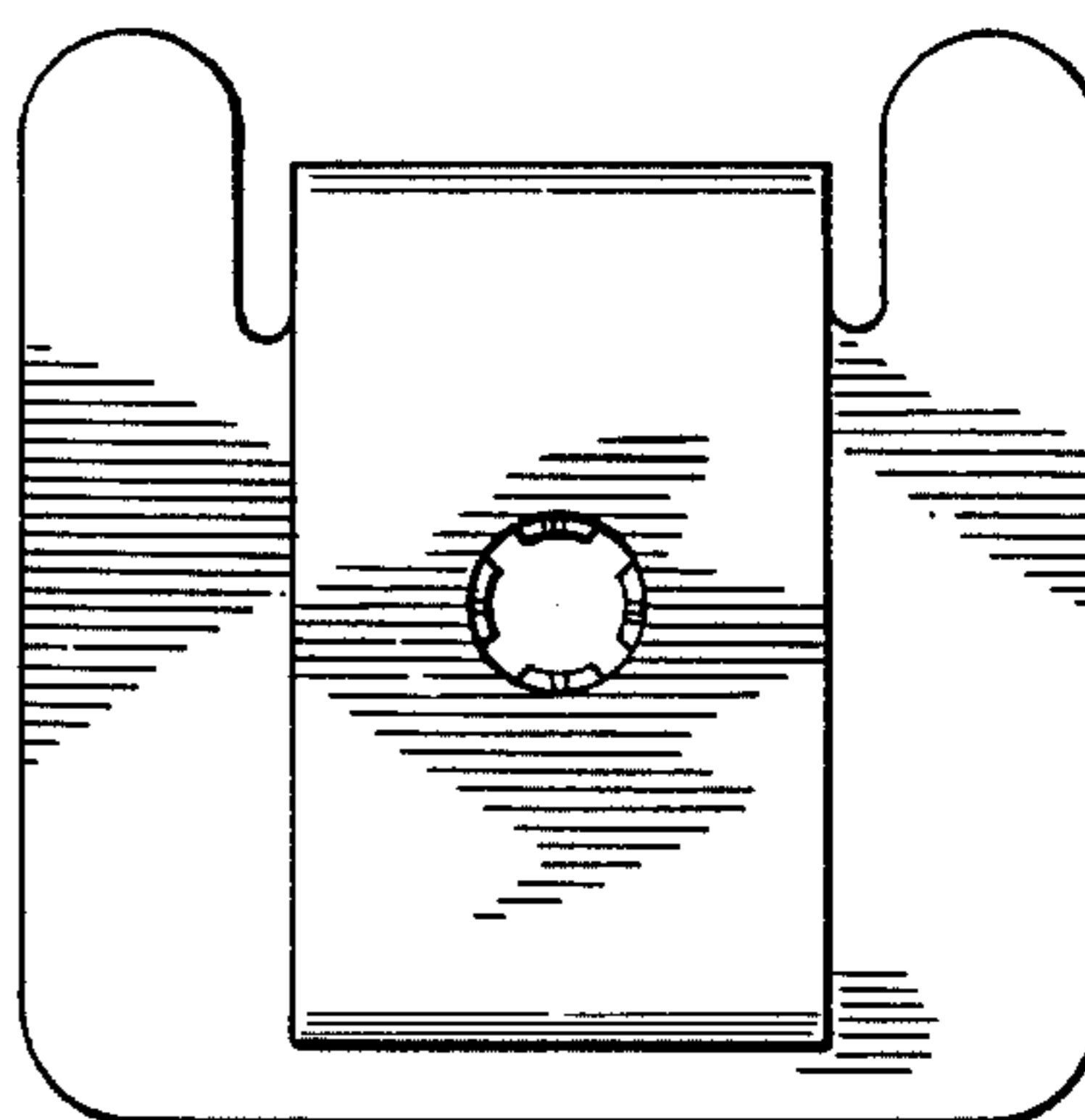


Fig. 6

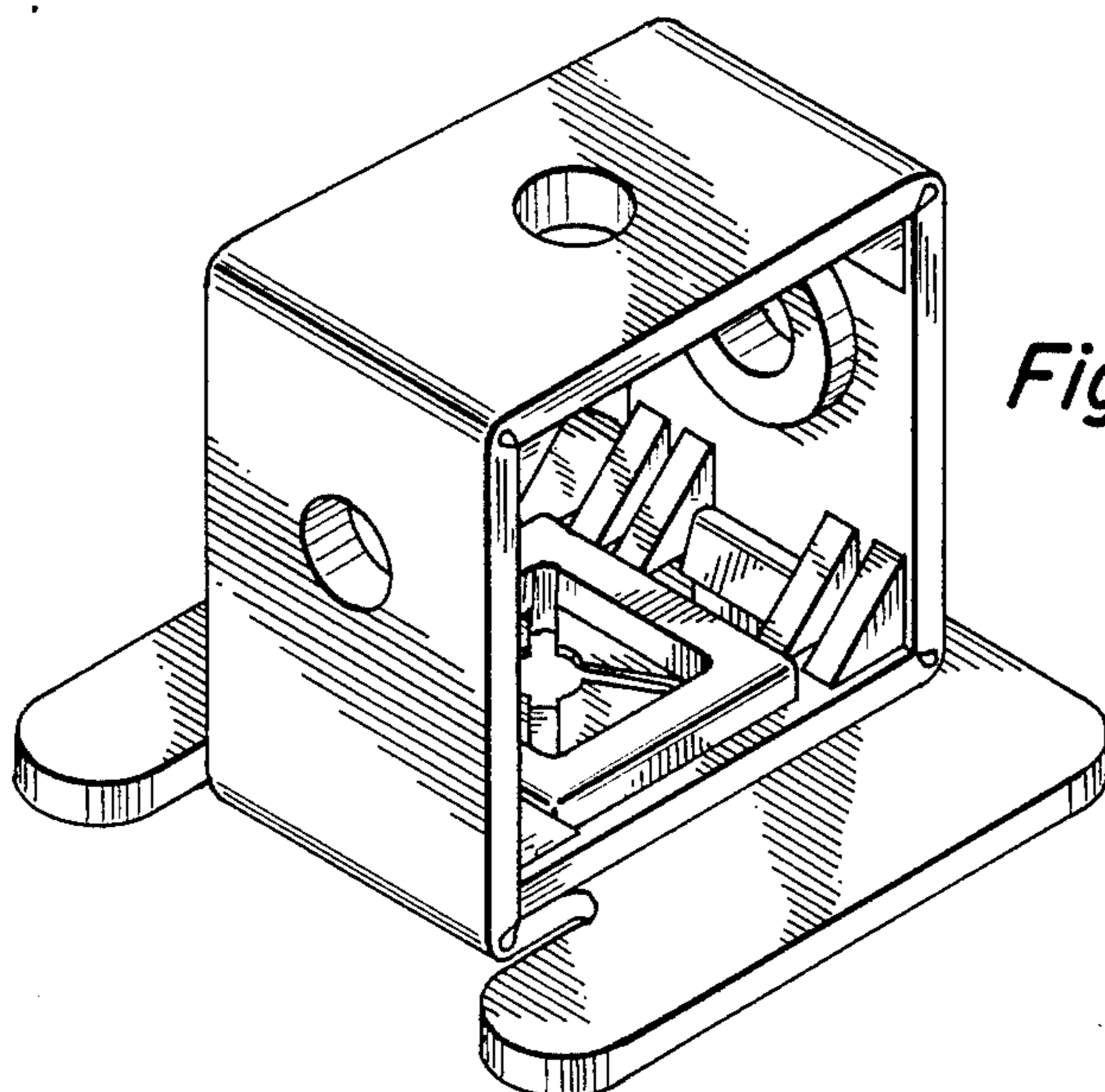


Fig. 7