

[54] ADJUSTABLE MAILBOX MOUNTING PLATFORM

[75] Inventor: Byron A. Warlick, Lincoln, Nebr.

[73] Assignee: State of Nebraska, Department of Roads, Lincoln, Nebr.

[**] Term: 14 Years

[21] Appl. No.: 104,872

[22] Filed: Oct. 2, 1987

[52] U.S. Cl. D8/355; D8/380; D99/32

[58] Field of Search D99/29-33; D8/355, 380; 232/17, 24, 28, 30, 38, 39

[56] References Cited

U.S. PATENT DOCUMENTS

D. 230,774	3/1974	Stevenson	D99/32
3,999,702	12/1976	Conroy	232/39
4,368,842	1/1983	DeLange, III	232/17
4,709,853	12/1987	Hahn	232/39

FOREIGN PATENT DOCUMENTS

2388528 11/1978 France 248/924

Primary Examiner—Winifred E. Herrmann
Assistant Examiner—John Warchol
Attorney, Agent, or Firm—Henderson & Sturm

[57] CLAIM

The ornamental design for an adjustable mailbox mounting platform, as shown and described.

DESCRIPTION

FIG. 1 is a top, front and right end perspective view of an adjustable mailbox mounting platform showing my new design;

FIG. 2 is a top plan view;

FIG. 3 is a front elevational view;

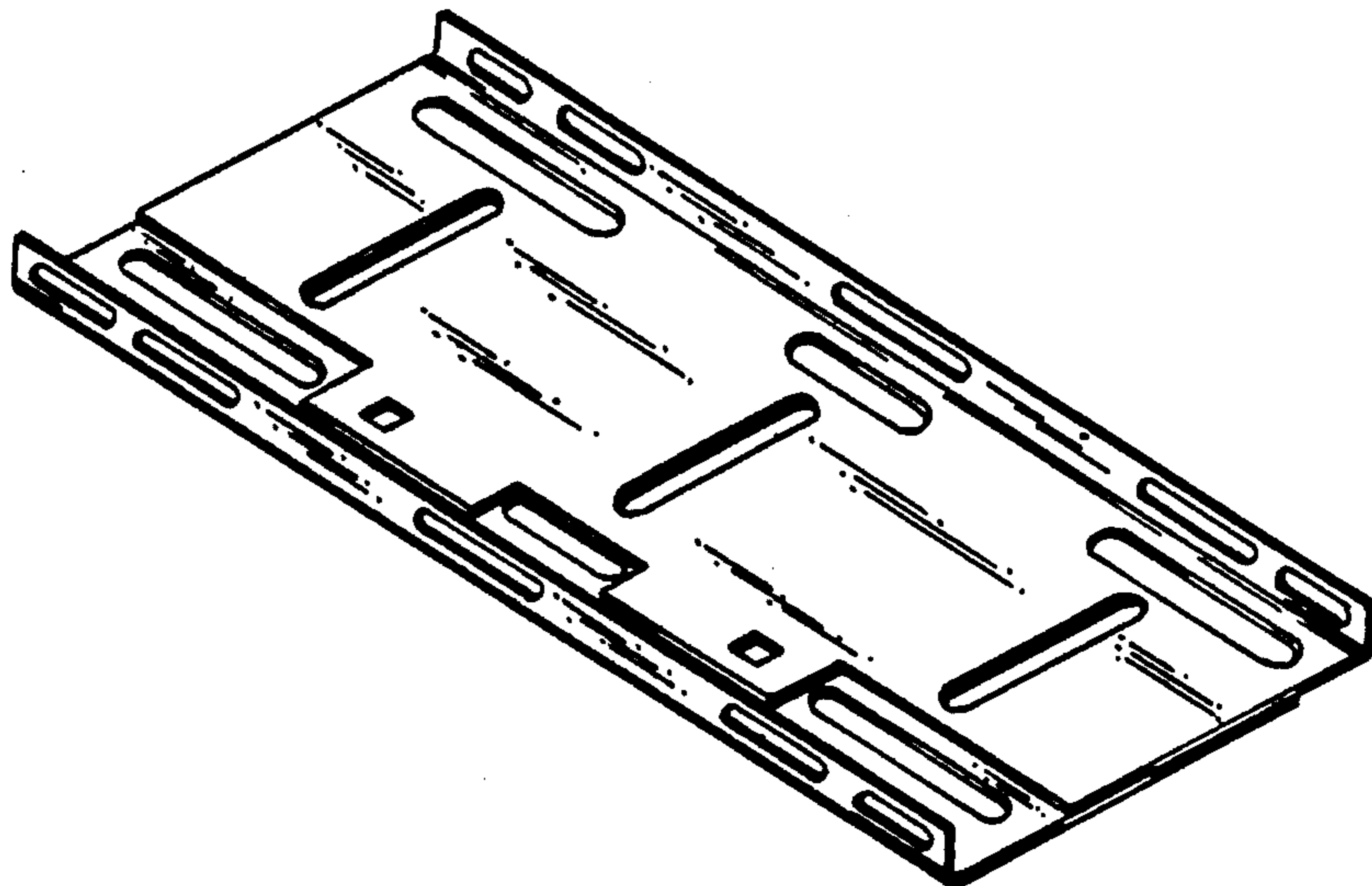
FIG. 4 is a rear elevational view;

FIG. 5 is a bottom plan view;

FIG. 6 is a right end elevational view;

FIG. 7 is a left end elevational view; and

FIG. 8 is an exploded perspective view thereof on a reduced scale, the broken line showing of a mailbox, post, nuts and bolts is illustrative of environmental structure only and forms no part of the claimed design.



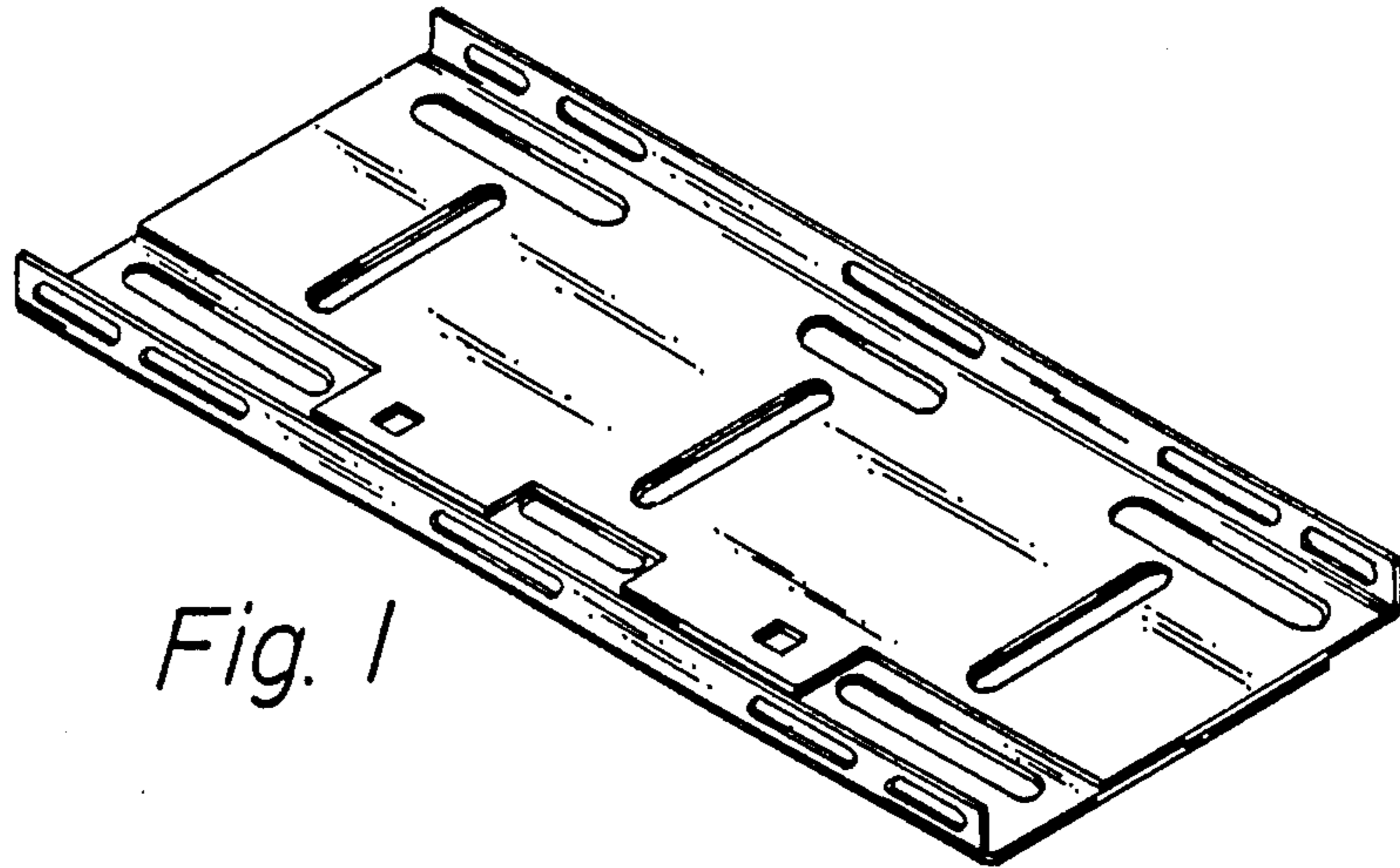


Fig. 1

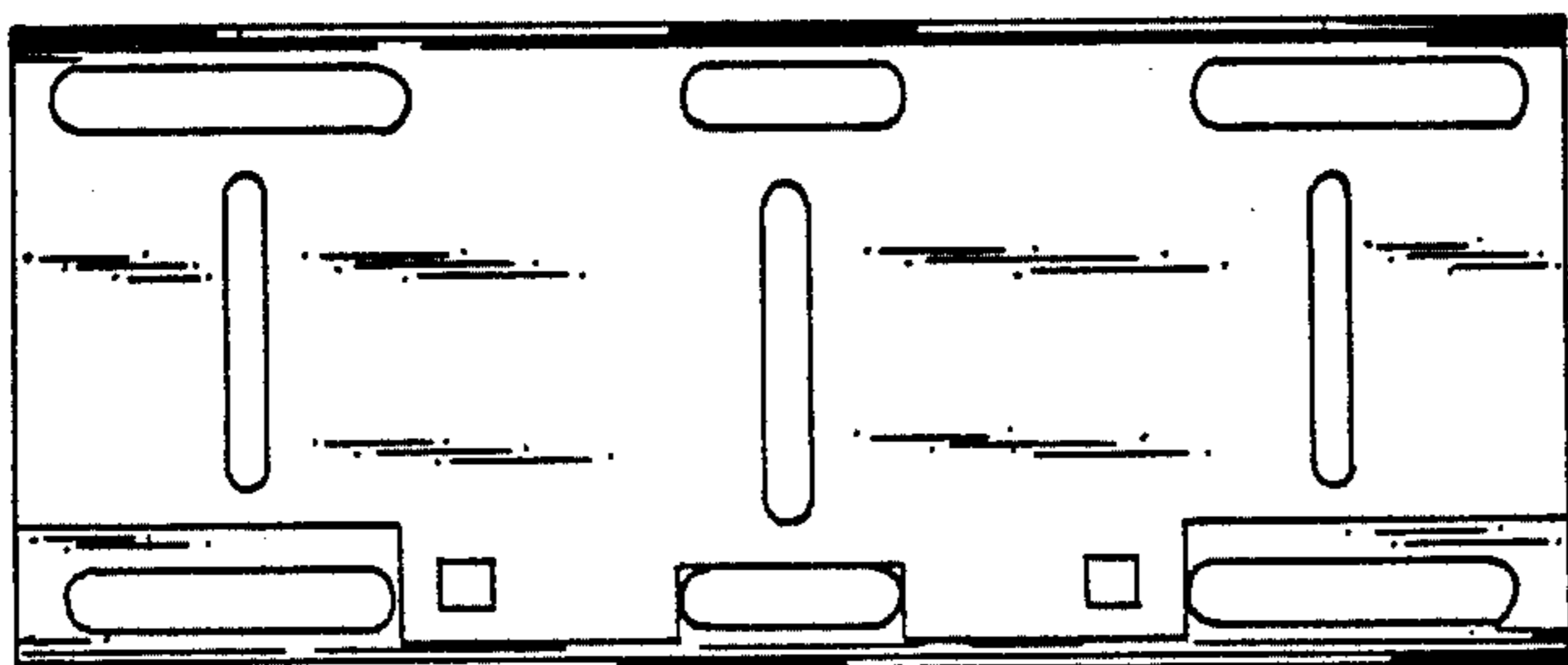


Fig. 2



Fig. 3



Fig. 6

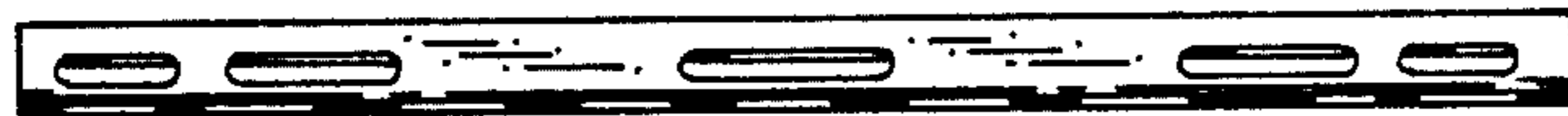


Fig. 4



Fig. 7

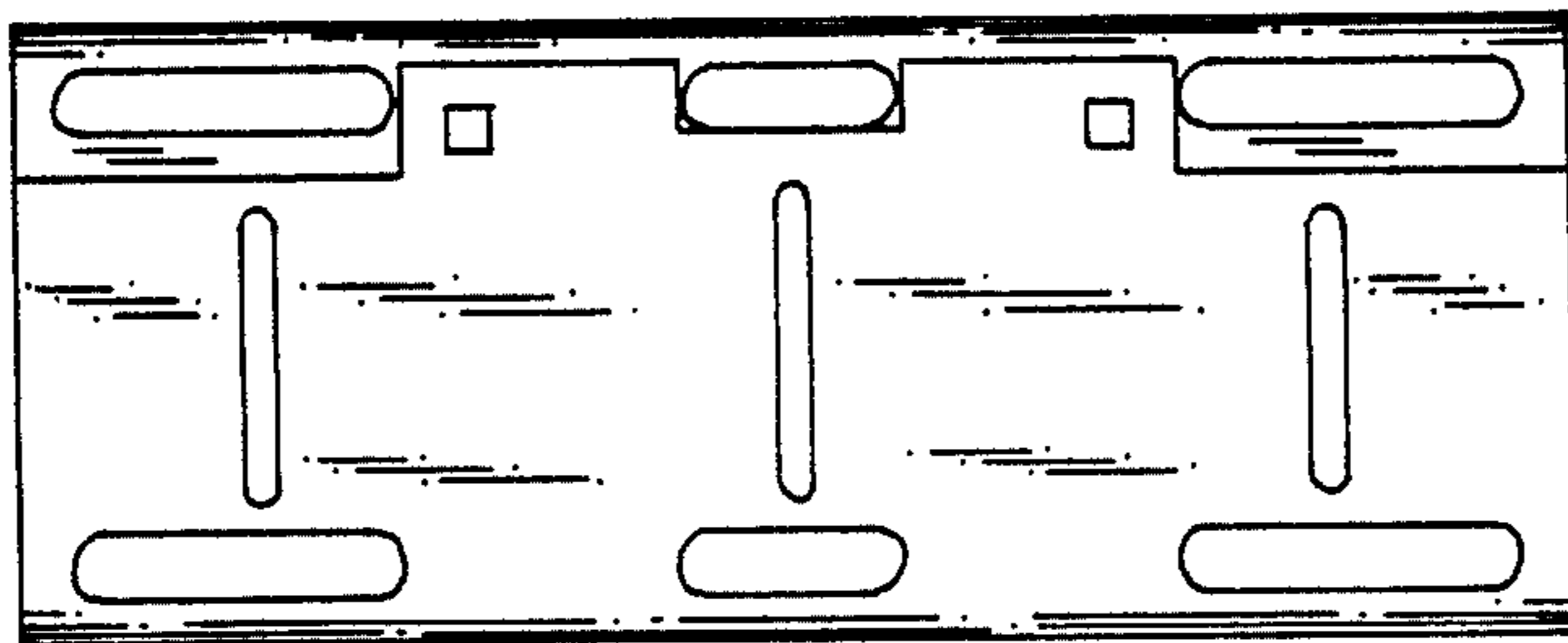


Fig. 5

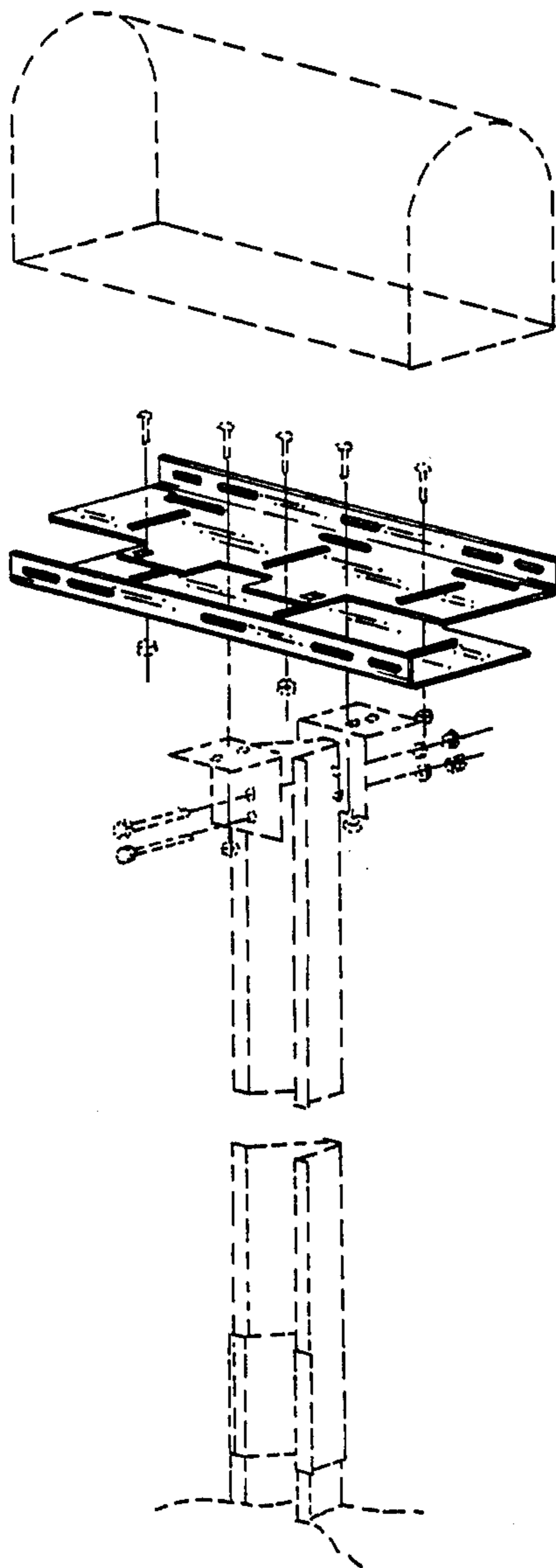


Fig. 8