

[54] DRILL BIT SHARPENER

[76] Inventor: Daniel Vaccaro, 32 Doran Ct., Chula Vista, Calif. 92010

[**] Term: 14 Years

[21] Appl. No.: 106,329

[22] Filed: Oct. 2, 1987

[52] U.S. Cl. D8/91

[58] Field of Search D8/63, 90-93; D19/74; 76/5 R; 51/80 BS, 84 BS, 98 BS, 109 BS; 29/78-80

[56] References Cited

U.S. PATENT DOCUMENTS

D. 162,593 3/1951 Sykes D8/90
1,044,036 11/1912 Fassett 51/80 BS

OTHER PUBLICATIONS

Institutions Magazine, May 1960, p. 189, "Intedge" Knife Serrator.

Hardware Age, Jul. 1984, p. 22, "Gamn" Chain Saw Sharpener.

Primary Examiner—Bruce W. Dunkins

Assistant Examiner—Clare E. Heflin

Attorney, Agent, or Firm—Charles C. Logan, II

[57] CLAIM

The ornamental design for a drill bit sharpener, as shown.

DESCRIPTION

FIG. 1 is a left side elevational view of the drill bit sharpener showing my new design;

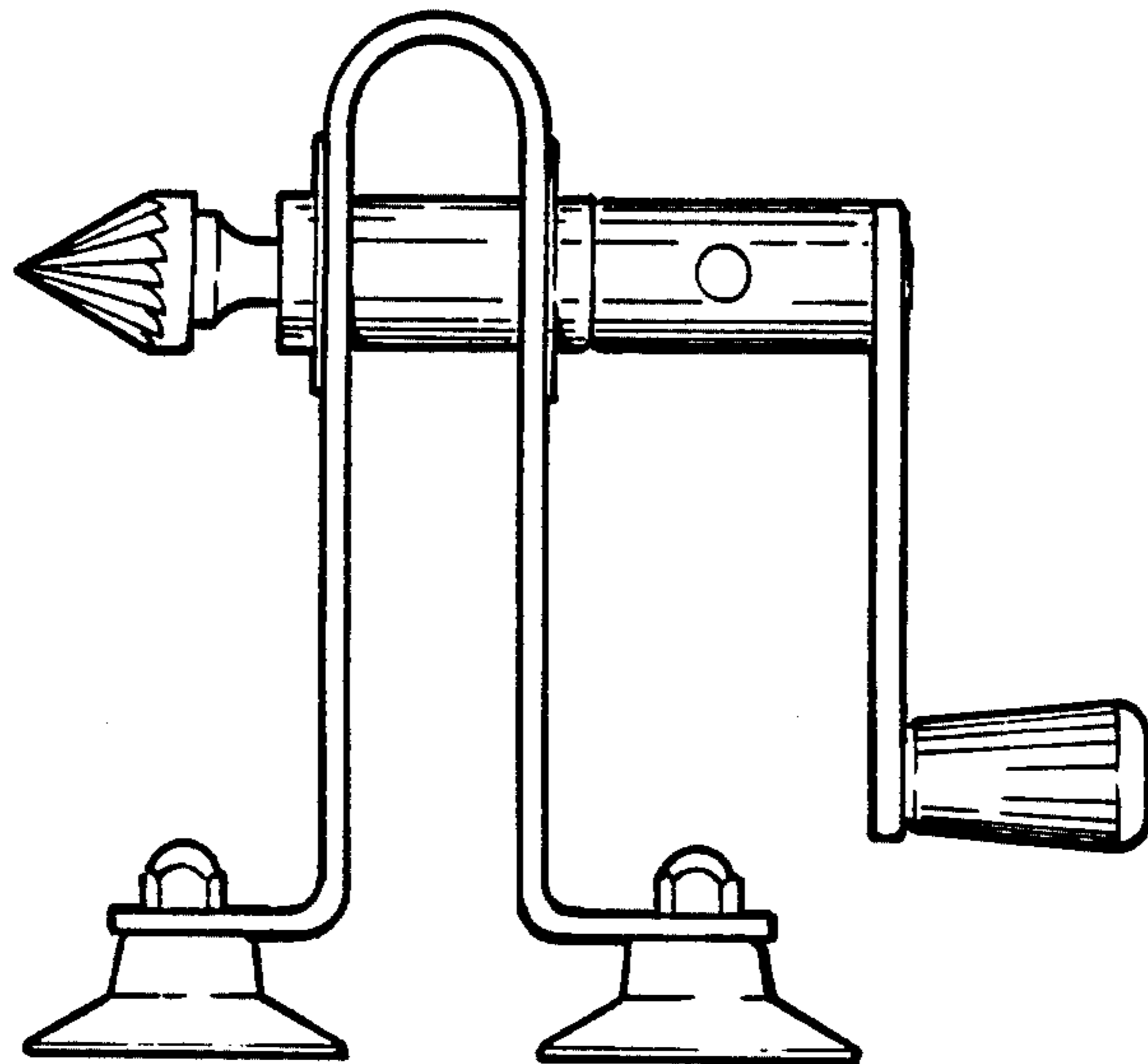
FIG. 2 is a rear elevational view thereof;

FIG. 3 is a right side elevational view thereof;

FIG. 4 is a front elevational view thereof;

FIG. 5 is a bottom plan view thereof; and

FIG. 6 is a top plan view thereof.



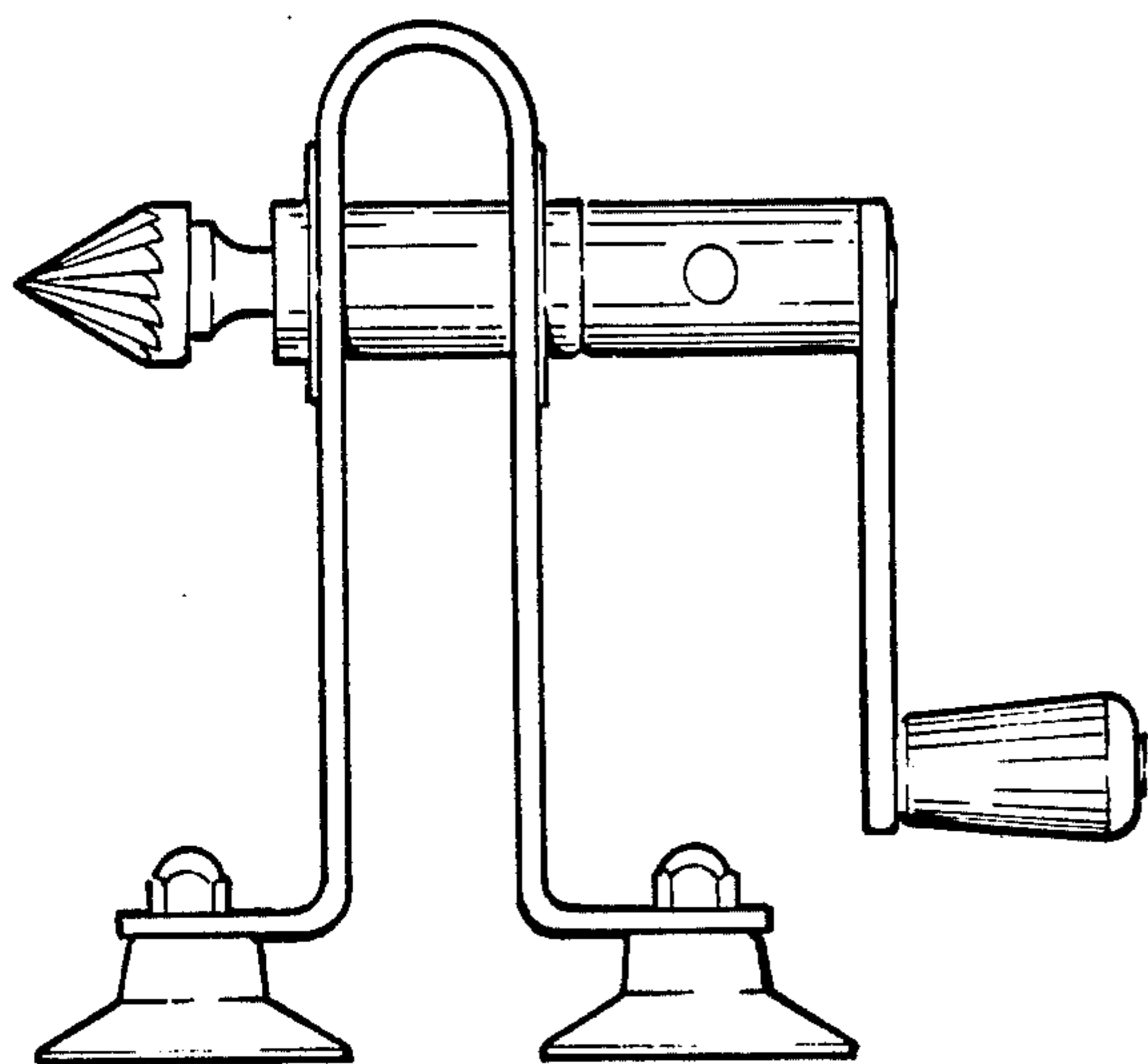


FIGURE 1

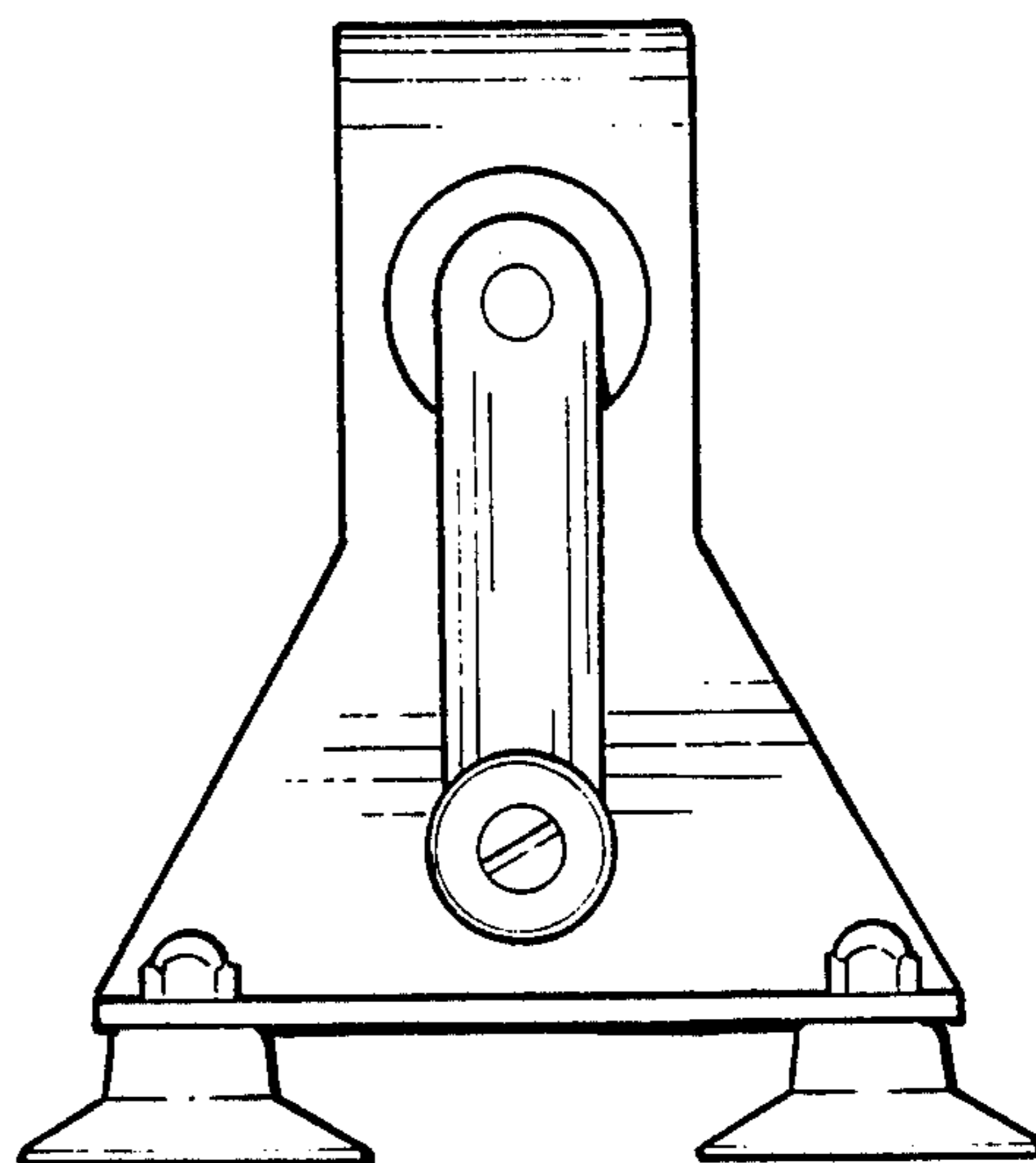


FIGURE 2

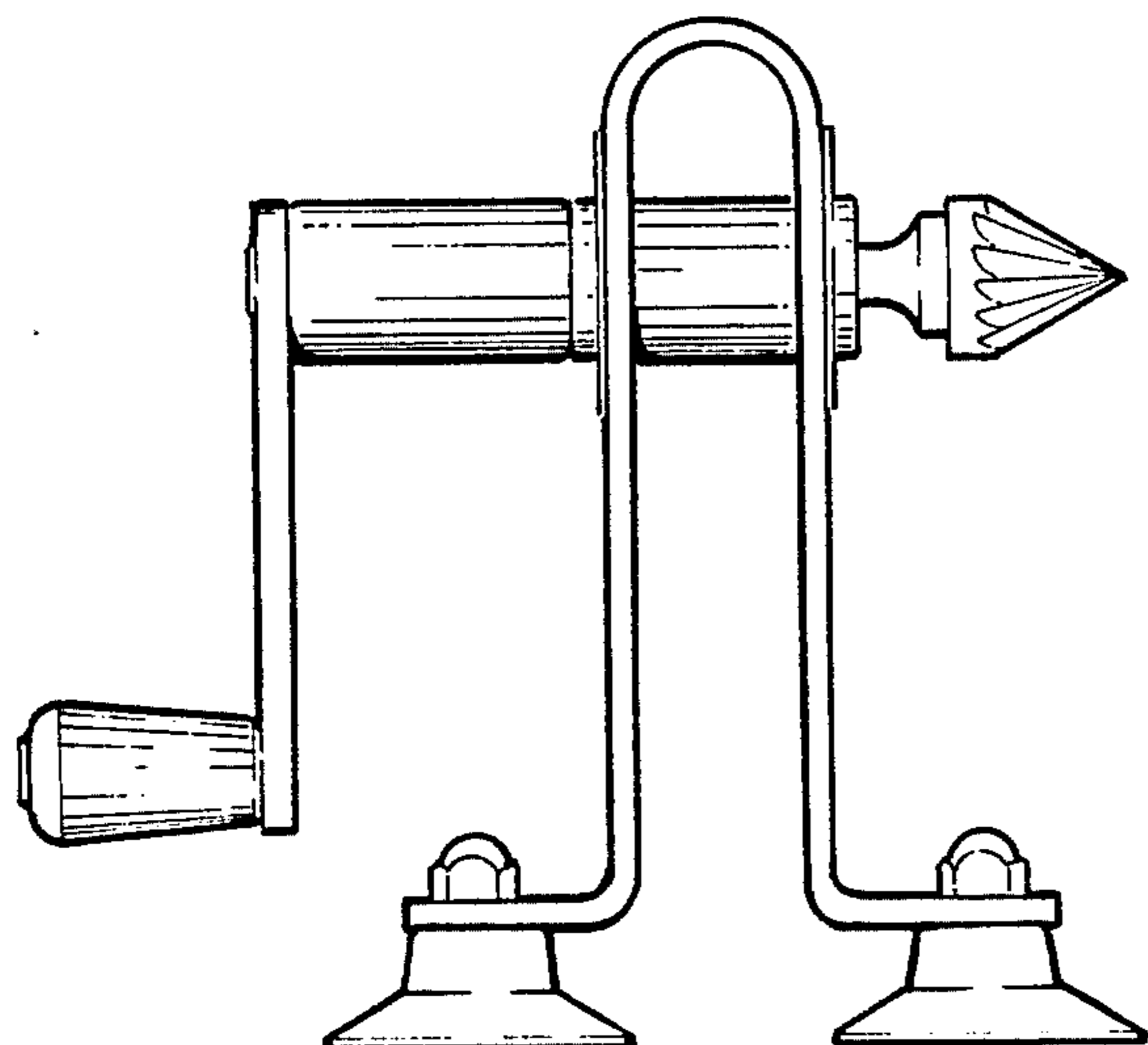


FIGURE 3

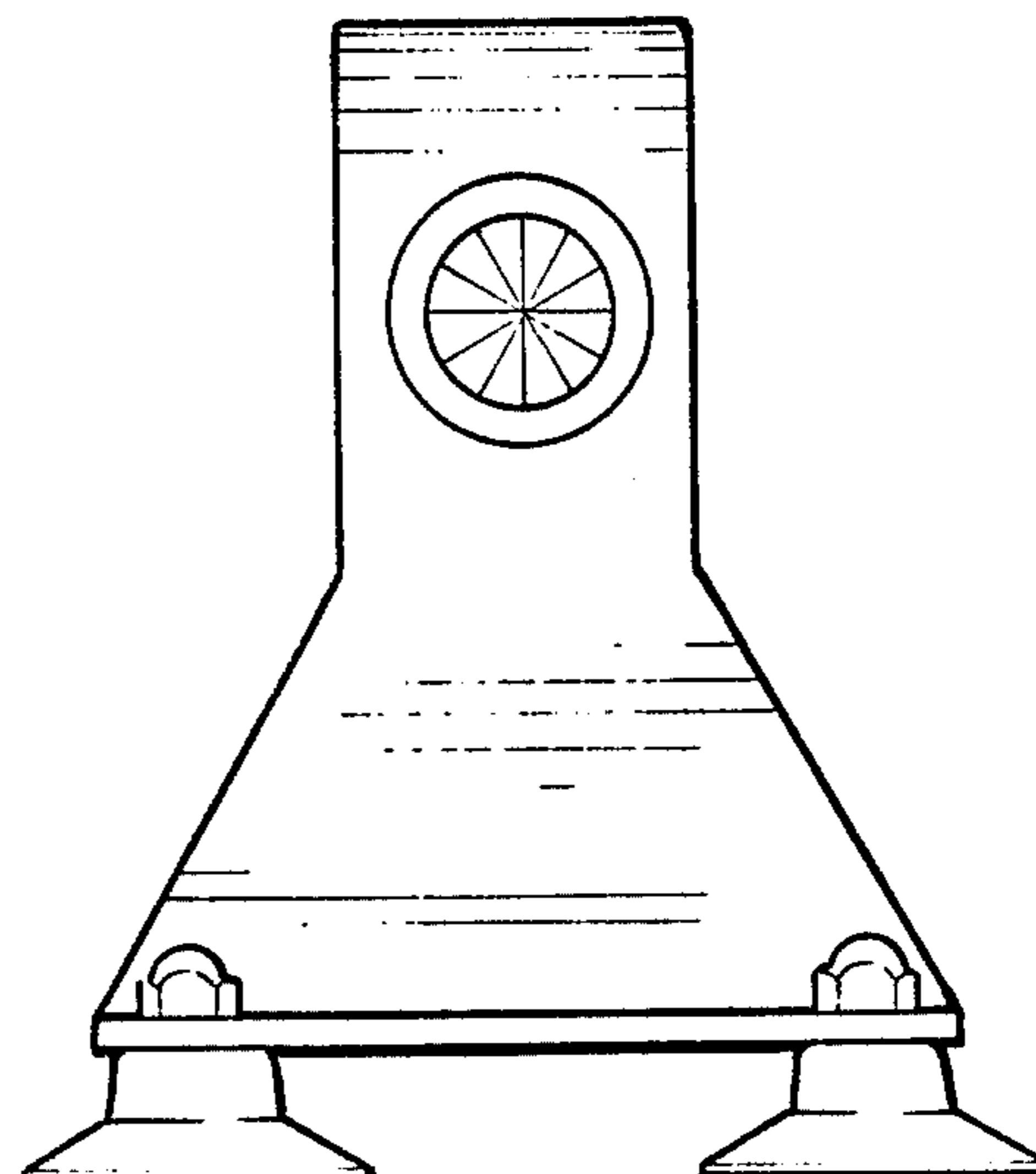


FIGURE 4

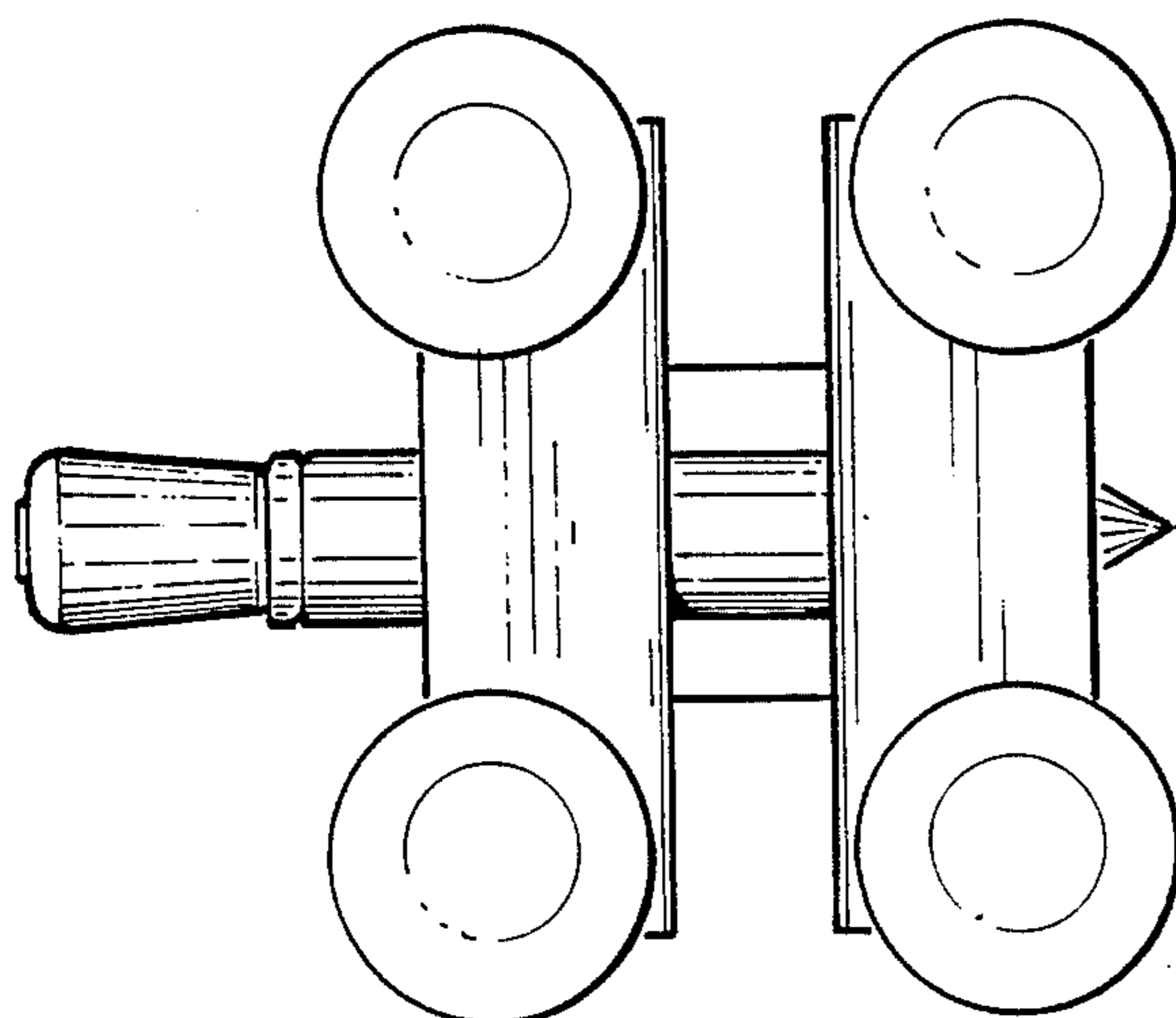


FIGURE 5

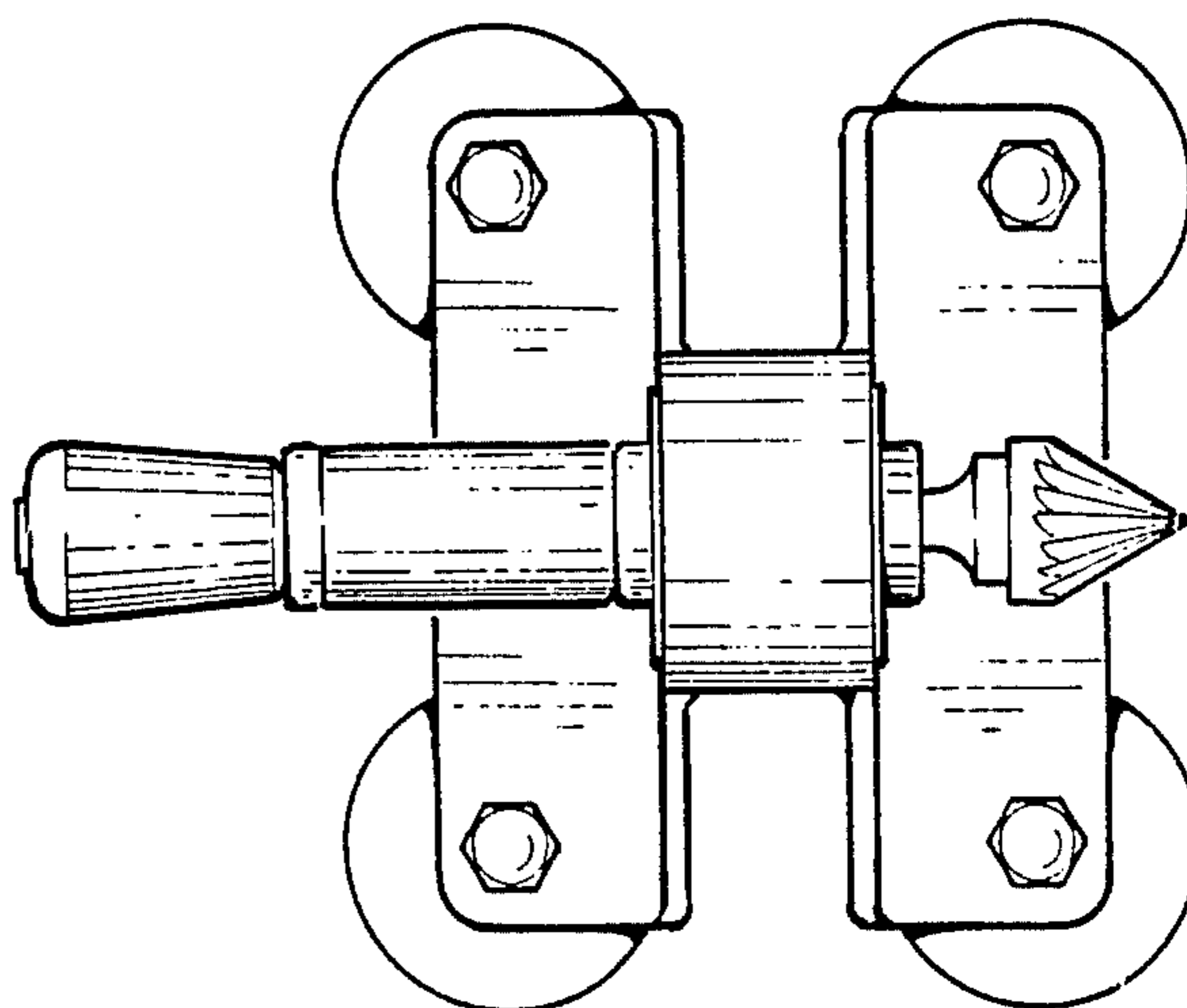


FIGURE 6