

[54] RECLOSABLE FUNNEL FIXTURE

[76] Inventors: Luay Ayyoubi, P.O. Box 8616, The Woodlands, Tex. 77387; Travis O. Evans, 901 Sunnyside, Houston, Tex. 77076

[\*\*] Term: 14 Years

[21] Appl. No.: 178,995

[22] Filed: Apr. 5, 1988

Related U.S. Application Data

[63] Continuation-in-part of Ser. No. 923,297, Oct. 27, 1986, abandoned.

[52] U.S. Cl. .... D7/700; D23/200

[58] Field of Search ..... D7/68; 141/98.1, 311 R, 141/331-345; D23/200; D15/150, 199

[56] References Cited

U.S. PATENT DOCUMENTS

1,134,837	4/1915	Fox	141/331 X
2,114,459	4/1938	Wiswell	184/105
2,297,850	10/1942	Woolery	33/126.7
2,718,344	9/1955	Troster	226/38
2,757,647	8/1956	Kishline	121/194
2,811,181	10/1957	Correll	141/340
3,296,703	1/1967	Stade et al.	33/126.7
3,474,884	10/1969	Braun	184/1
3,885,547	5/1975	Doepke et al.	123/198 D
3,927,703	12/1975	Beaubein	141/333
4,022,352	5/1977	Pehr	222/153
4,049,196	9/1977	Bergami, Jr. et al.	237/51

4,055,898	11/1977	Braun et al.	33/126.4 R
4,082,201	4/1978	Bittel	220/339
4,112,984	9/1978	Guglia et al.	141/98
4,130,147	12/1978	Langlie et al.	141/98
4,154,105	5/1979	Mackley	73/346
4,155,167	5/1979	DeLano	33/126.7 R
4,170,315	10/1979	Dubach	220/281
4,174,574	11/1979	Kirchweger	33/126.7 R
4,289,255	9/1981	Strampe	222/81
4,331,185	5/1982	Rinaldo et al.	141/95
4,338,983	7/1982	Hatcher	141/331
4,340,095	7/1982	Dale et al.	141/1
4,509,567	4/1985	Harrison et al.	141/97
4,515,245	5/1985	Salmon	184/105 R
4,559,984	12/1985	Wycech	141/340

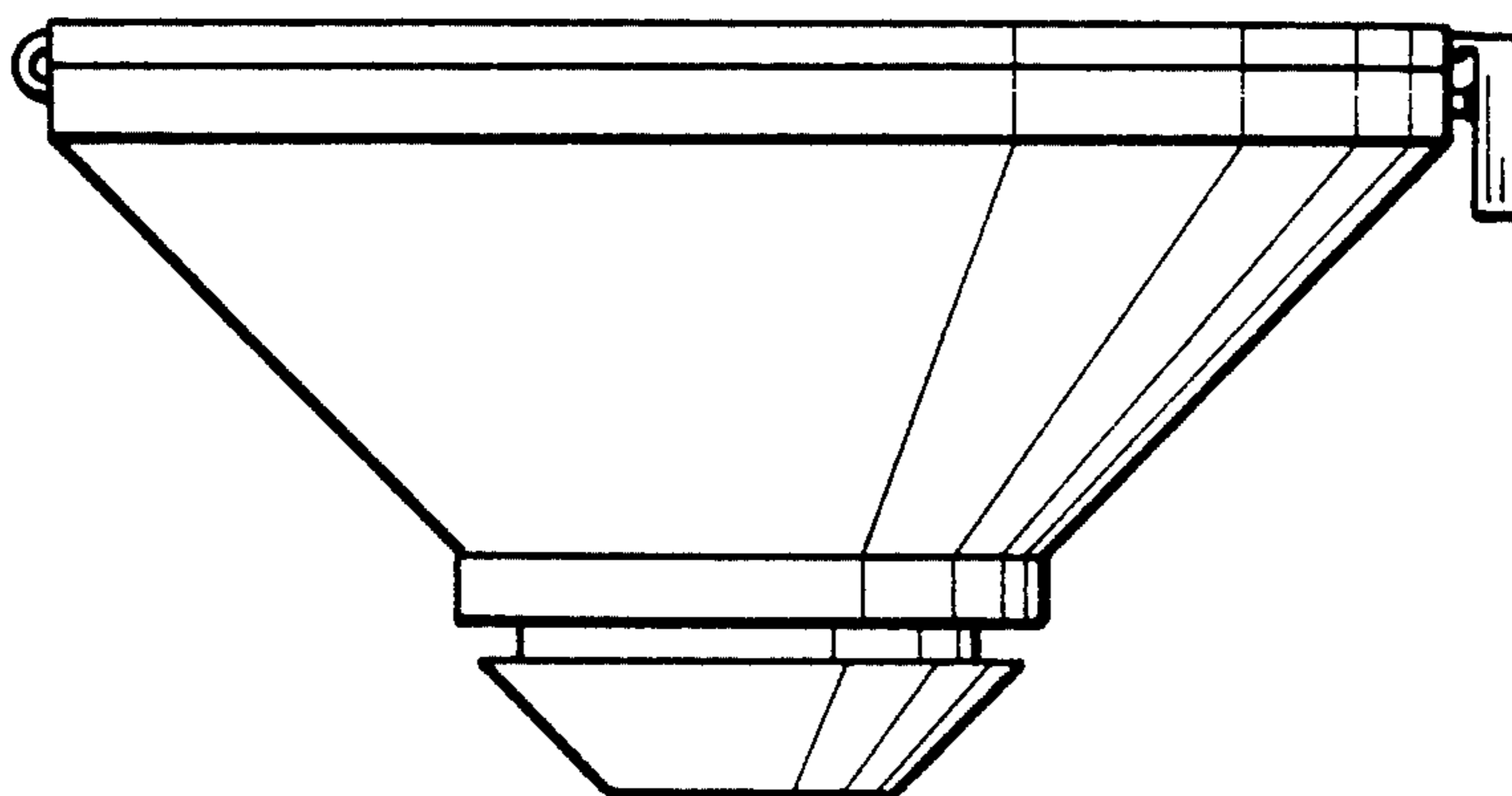
Primary Examiner—Bernard Ansher  
Assistant Examiner—Terry A. Pfeffer  
Attorney, Agent, or Firm—William E. Shull; Ned L. Conley; David A. Rose

[57] CLAIM

The ornamental design for a reclosable funnel fixture, as shown and described.

DESCRIPTION

FIG. 1 is a perspective view of a reclosable funnel fixture showing our new design;  
FIG. 2 is a side elevational view thereof;  
FIG. 3 is a rear elevational view thereof;  
FIG. 4 is a top plan view thereof;  
FIG. 5 is a bottom plan view thereof;  
FIG. 6 is a vertical sectional view thereof taken along lines 6—6 of FIG. 4.



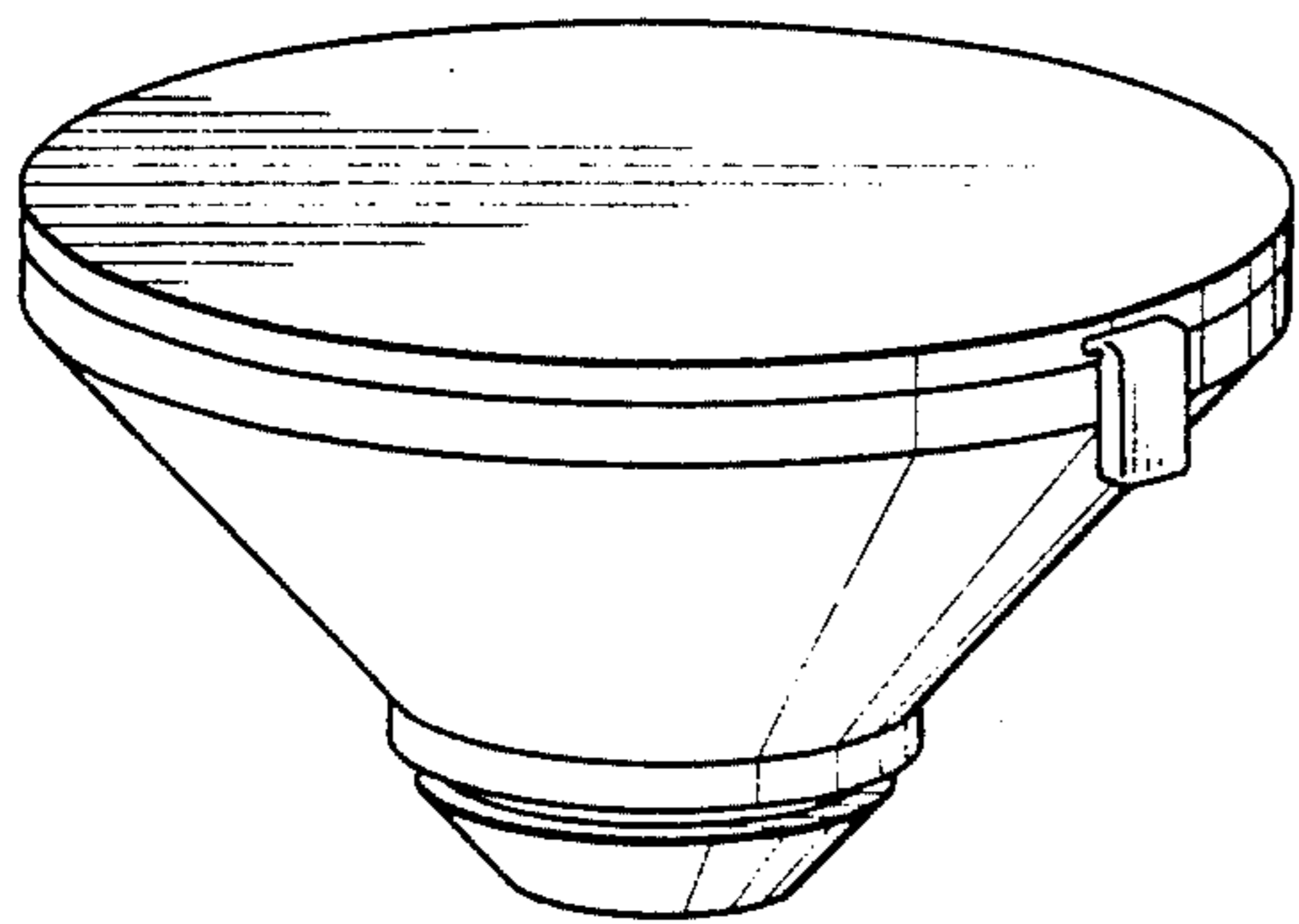


FIG. 1

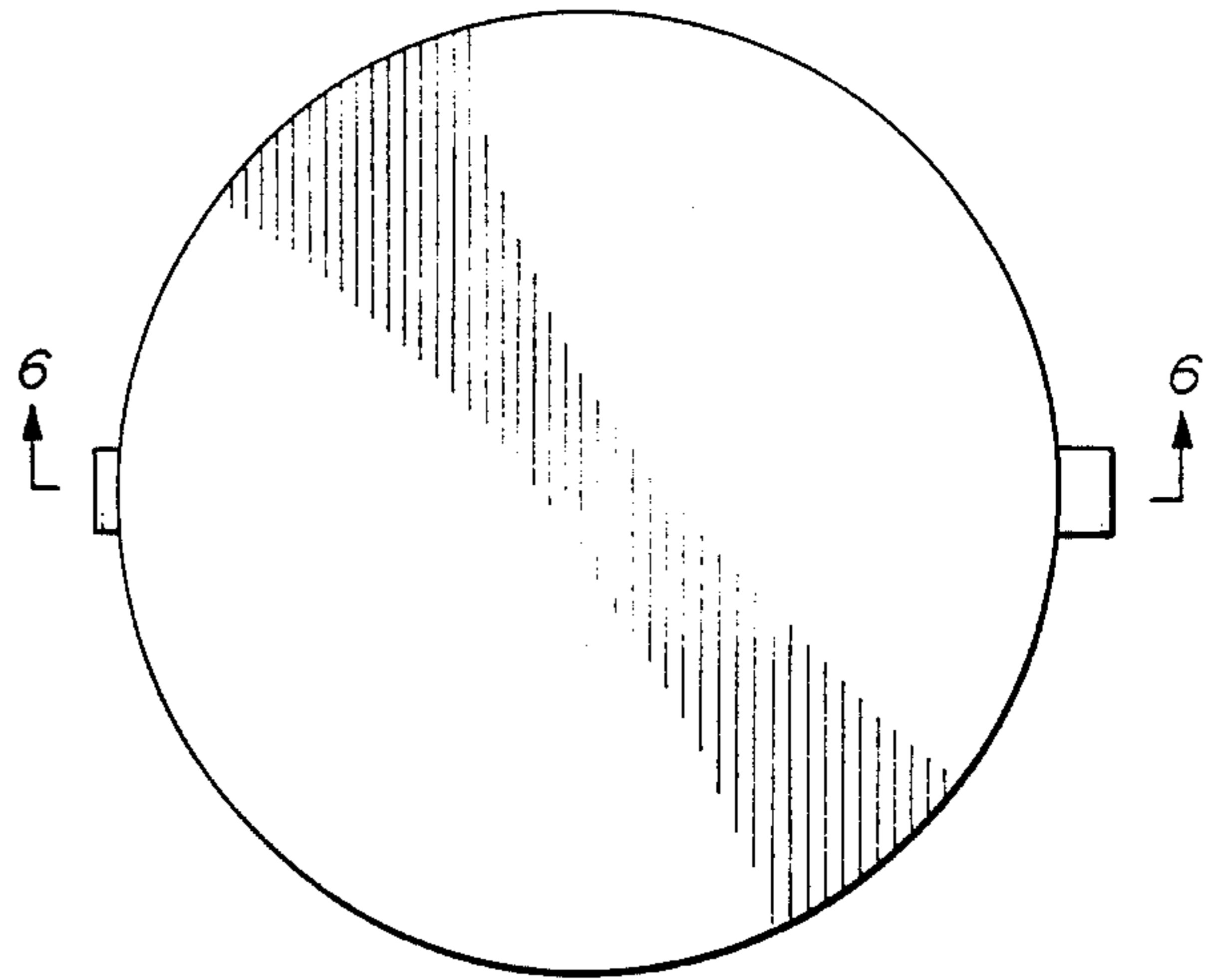


FIG. 4

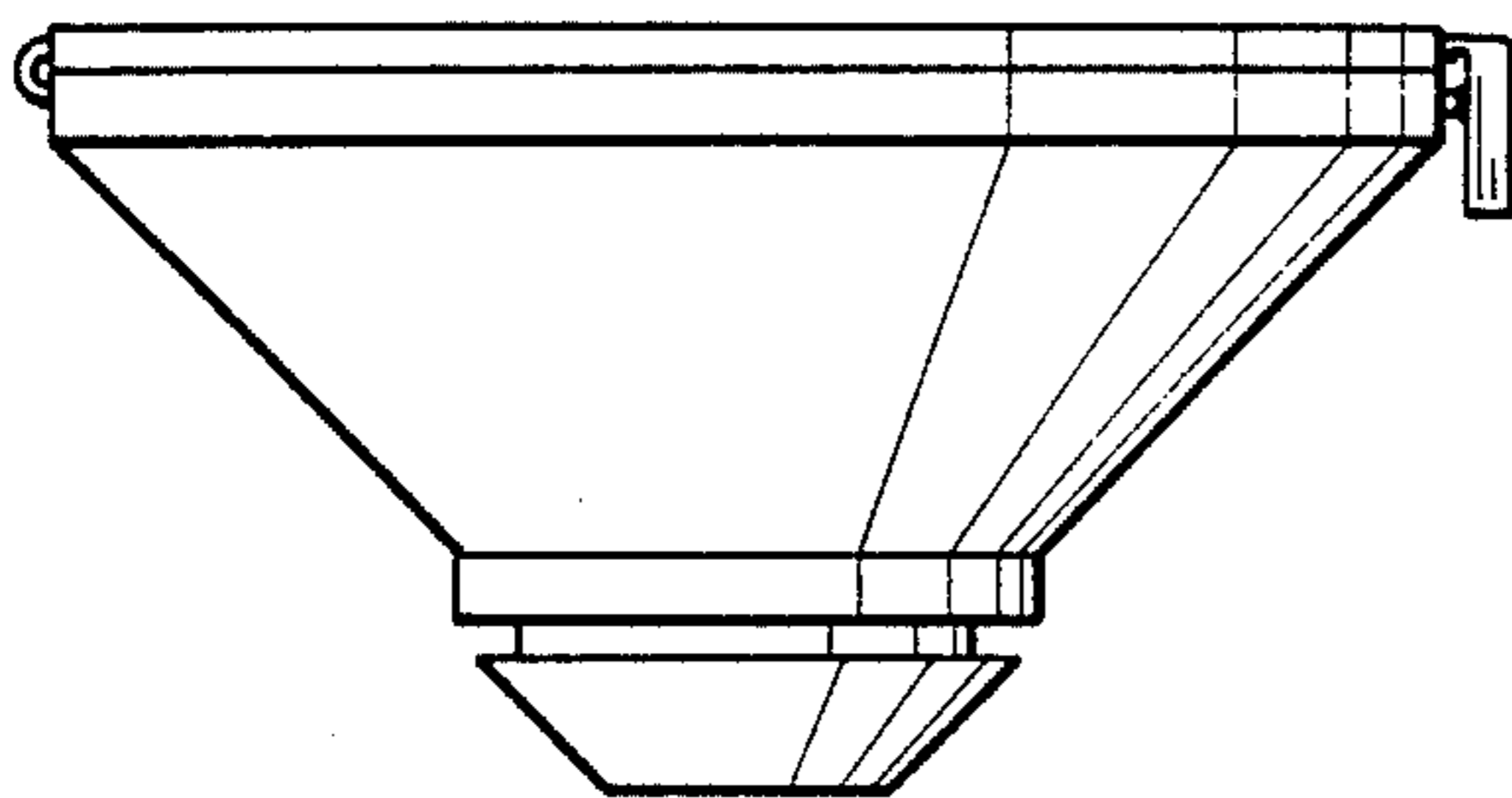


FIG. 2

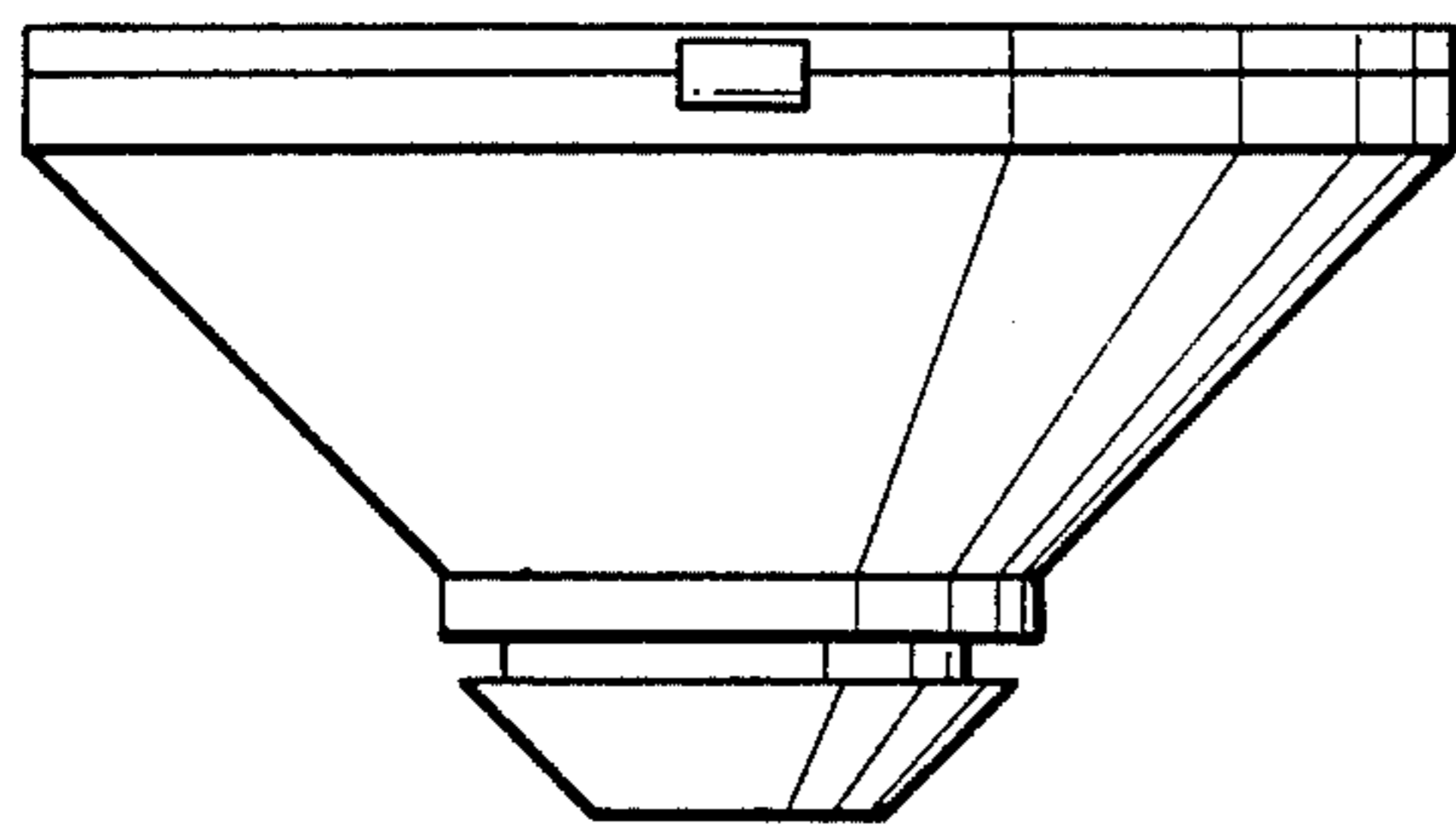


FIG. 3

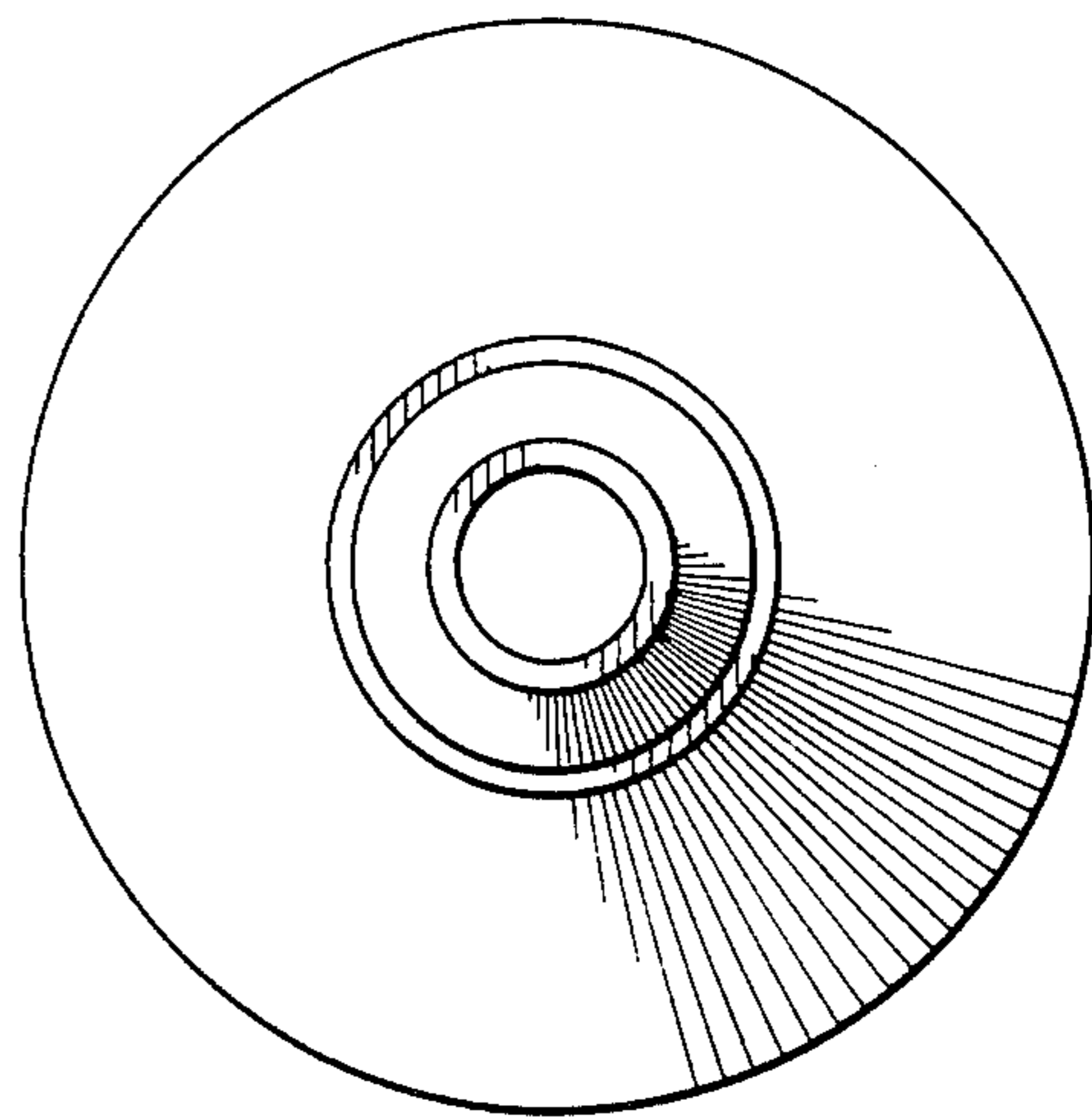


FIG. 5

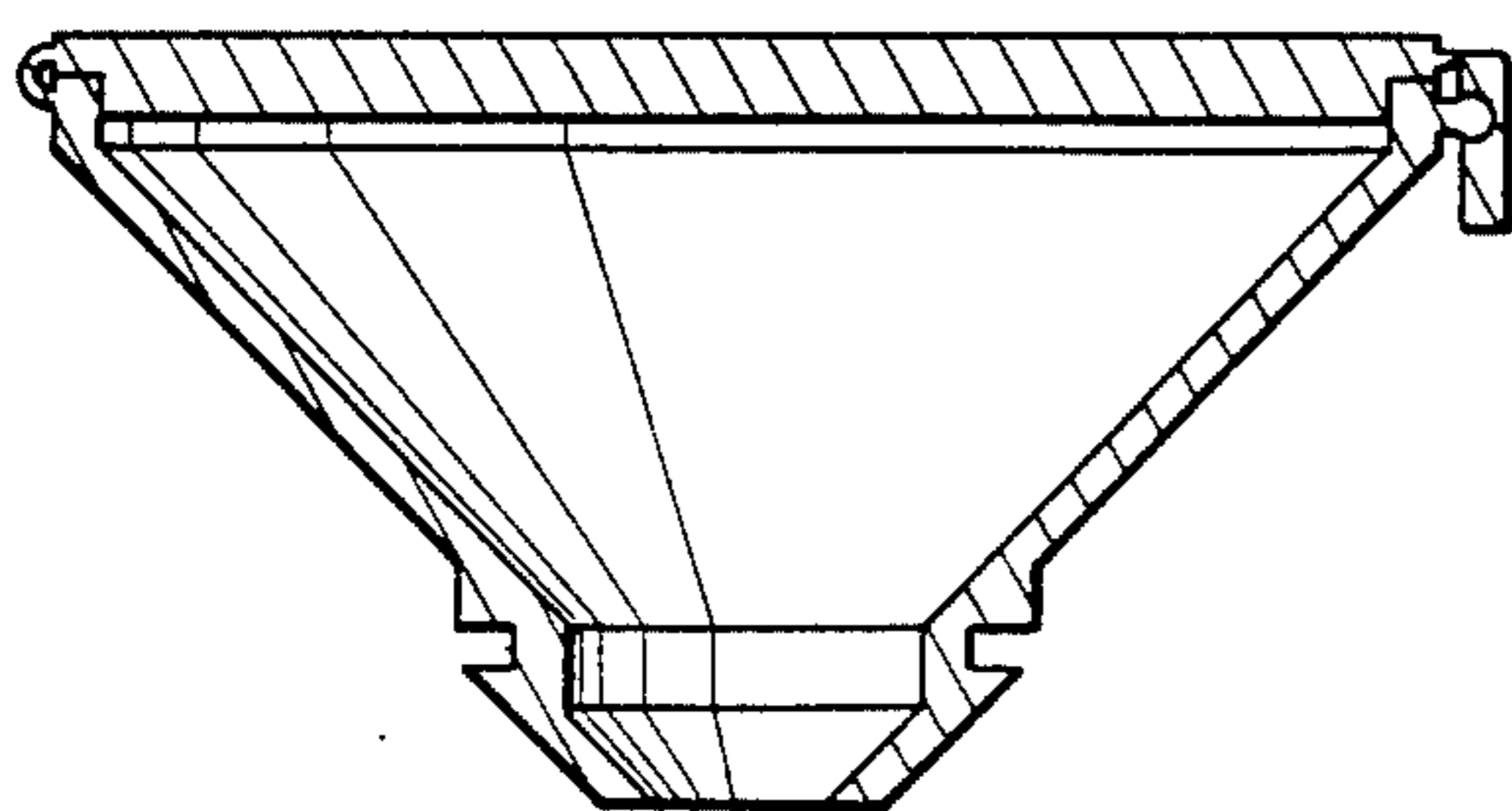


FIG. 6