

[54] **PORTABLE COOLER**

[76] **Inventor: James W. Kime, 4895 Settles Pt. NW., Suwanee, Ga. 30174**

[\*\*] **Term: 14 Years**

[21] **Appl. No.: 115,358**

[22] **Filed: Nov. 2, 1987**

D. 288,332 2/1987 McCurdy ..... D3/73

*Primary Examiner*—Bernard Ansher  
*Assistant Examiner*—Terry A. Pfeffer  
*Attorney, Agent, or Firm*—Jennings, Carter Thompson & Veal

[57] **CLAIM**

The ornamental design for a portable cooler, as shown and described.

**Related U.S. Application Data**

[63] Continuation-in-part of Ser. No. 758,429, Jul. 24, 1985, Pat. No. Des. 296,497.

[52] **U.S. Cl.** ..... **D7/605; D7/626; D3/76**

[58] **Field of Search** ..... **D7/76, 77; 62/457.1, 62/457.7; 220/412; 190/119, 900-901; D3/72-74, 76, 30.1**

**DESCRIPTION**

FIG. 1 is a perspective view of a portable cooler showing my new design;

FIG. 2 is a front perspective view thereof;

FIG. 3 is a rear elevational view drawn to a larger scale than that in FIGS. 1 and 2;

FIG. 4 is a top plan view thereof;

FIG. 5 is a front elevational view thereof;

FIG. 6 is a side elevational view, the side not shown being a mirror image of the side shown.

FIG. 7 is a bottom plan view thereof;

FIG. 8 is a perspective view thereof in an open position.

FIG. 9 is a top plan view thereof in an open position.

[56] **References Cited**

**U.S. PATENT DOCUMENTS**

- D. 247,394 2/1978 Linke ..... D3/76
- D. 250,973 1/1979 Ramsey ..... D3/74

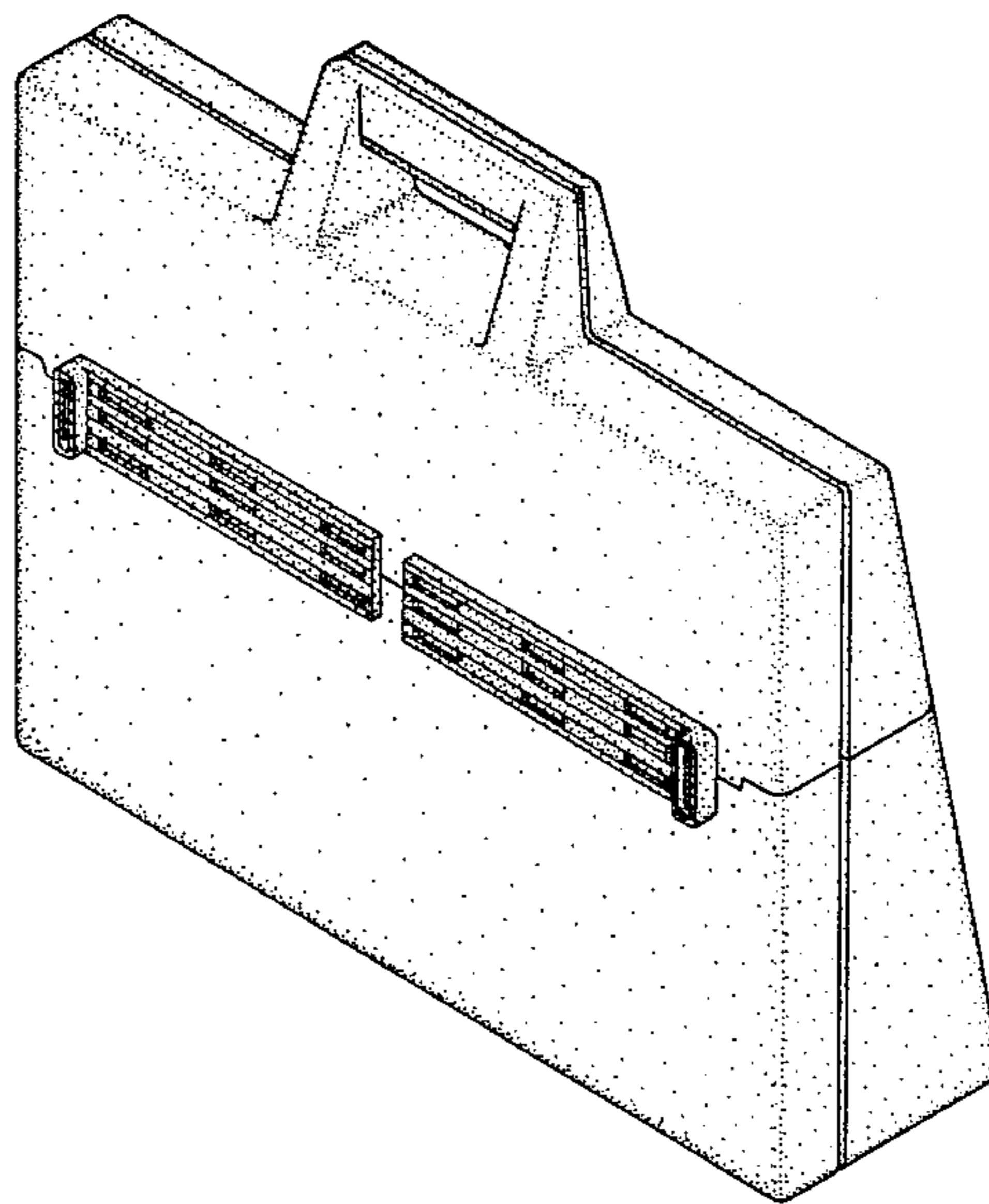


Fig. 1

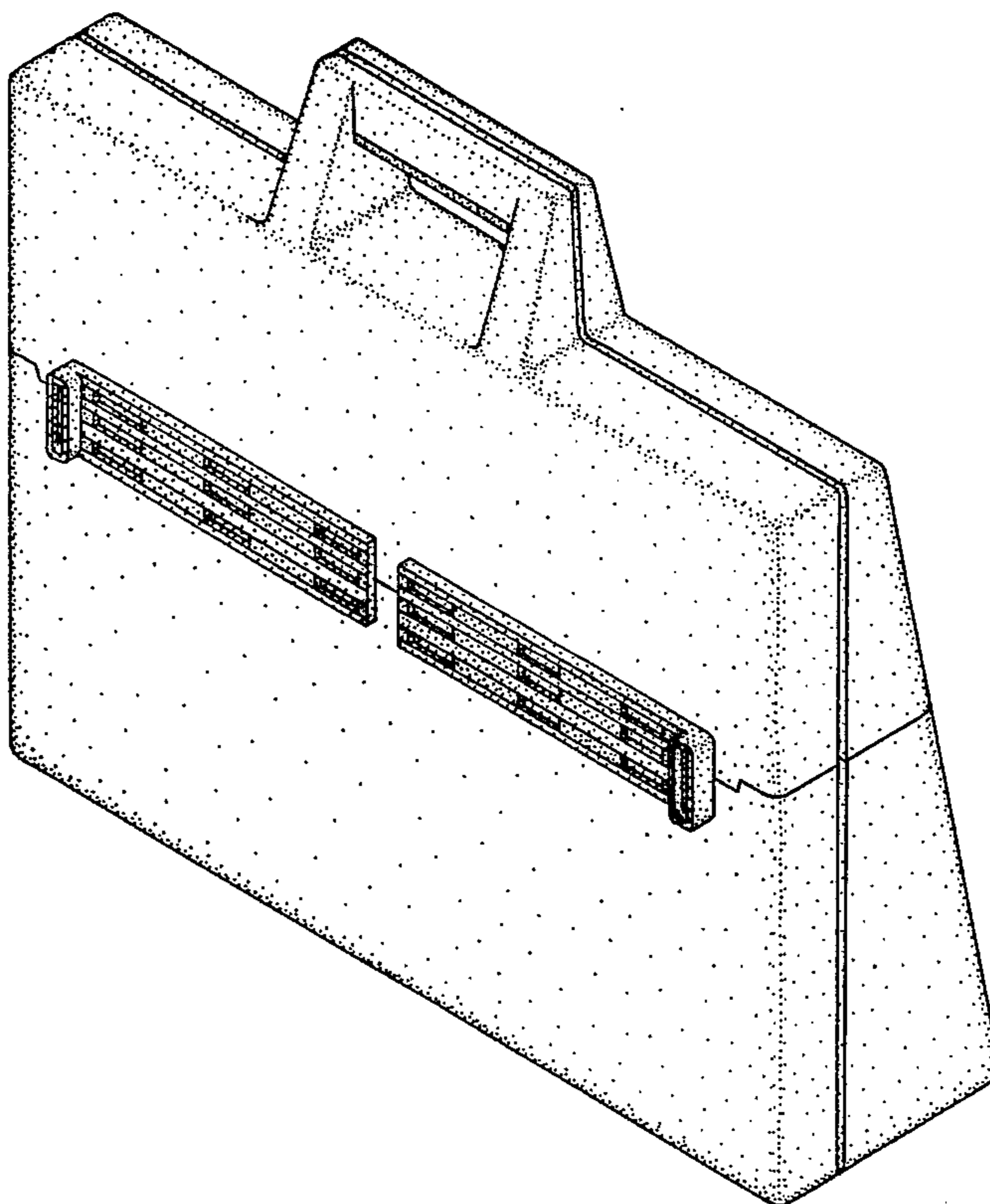


Fig. 2

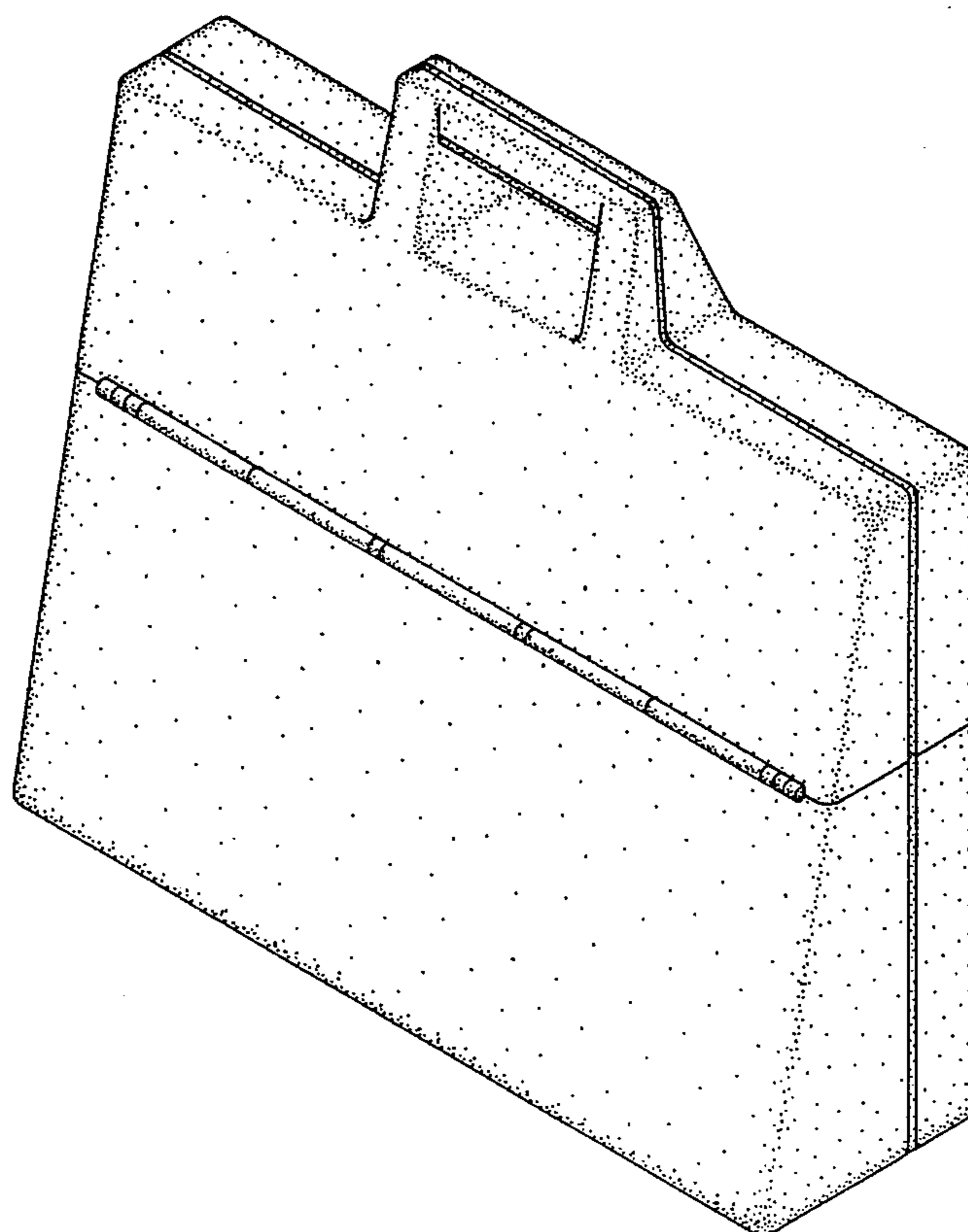


Fig. 3

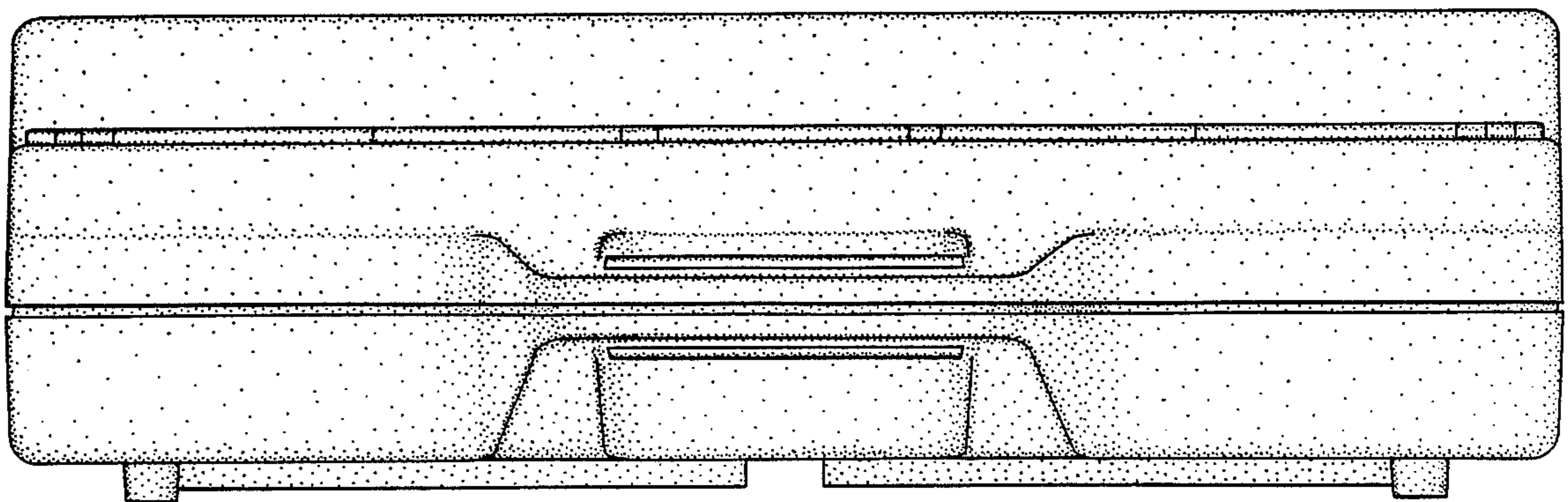
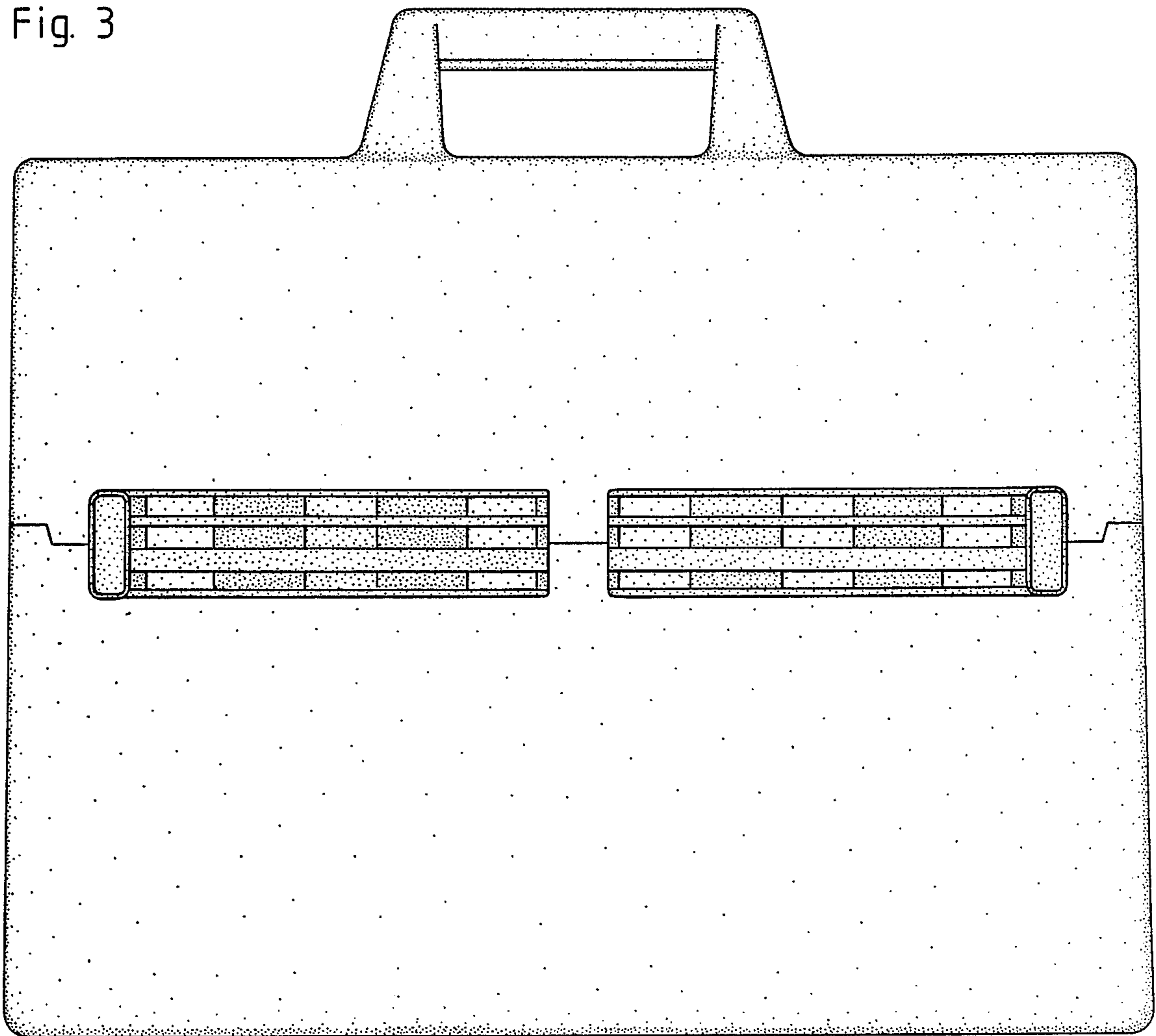


Fig. 4

Fig. 6

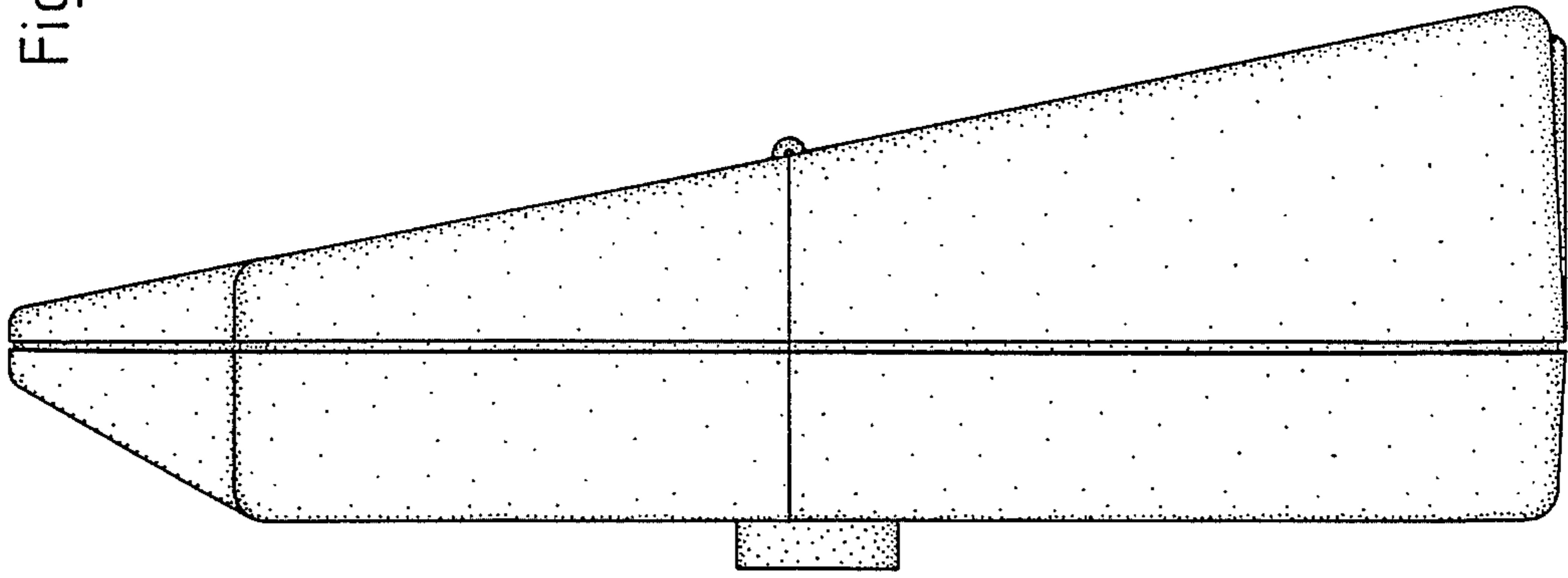
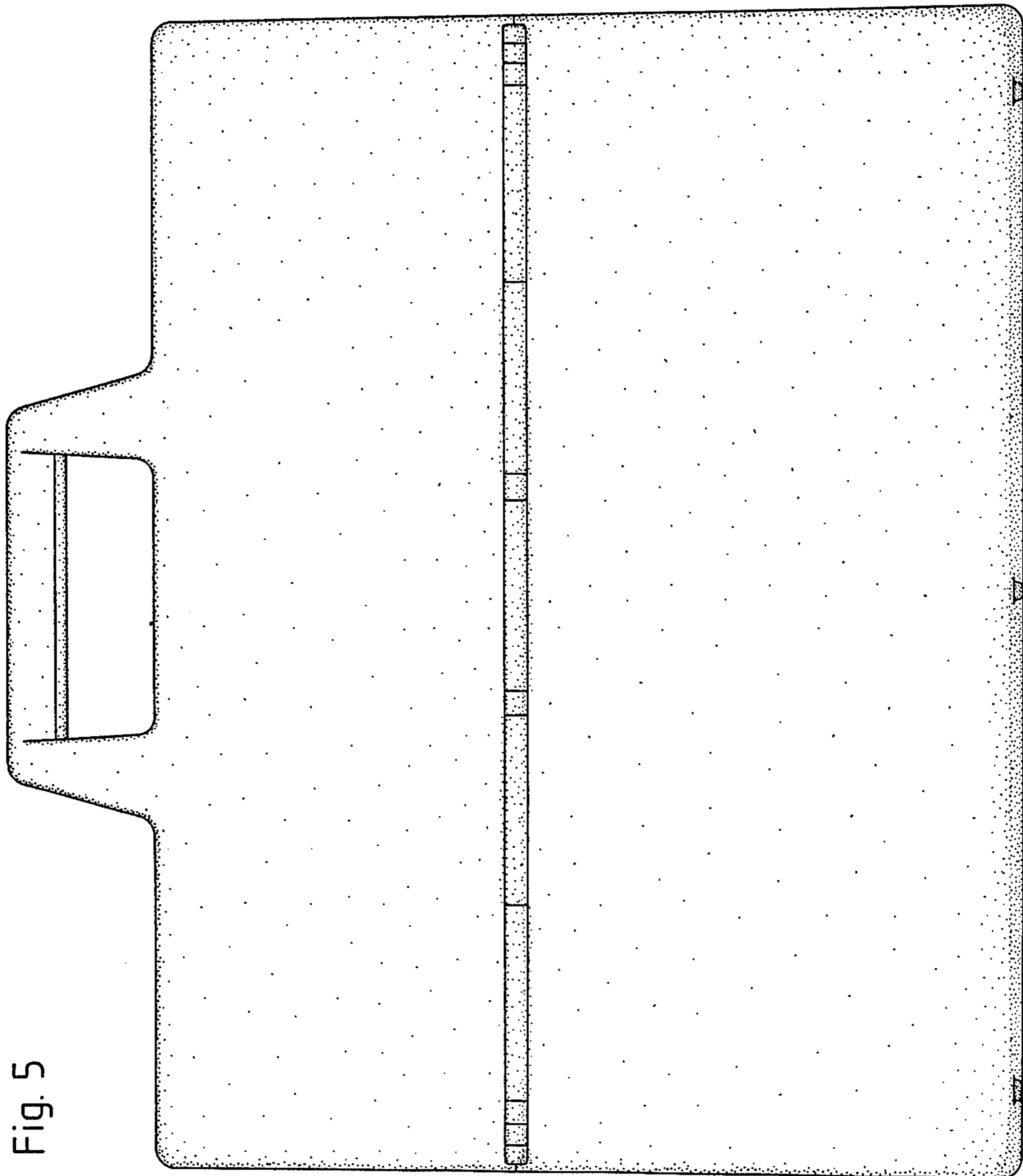


Fig. 5



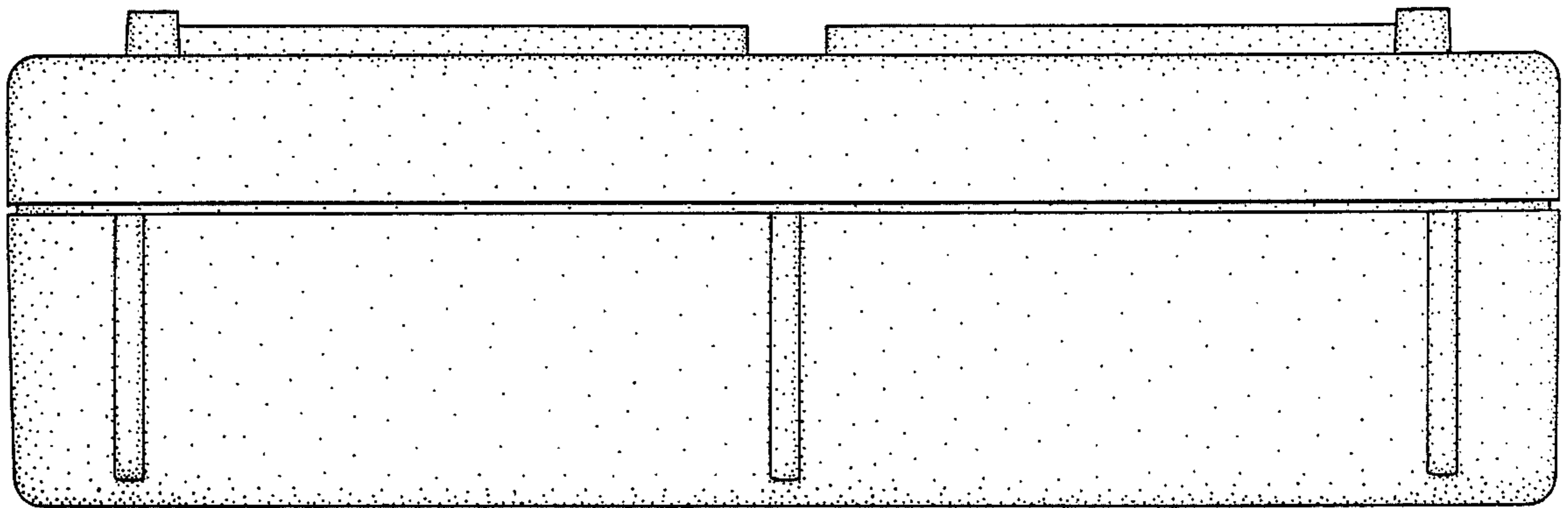


Fig. 7

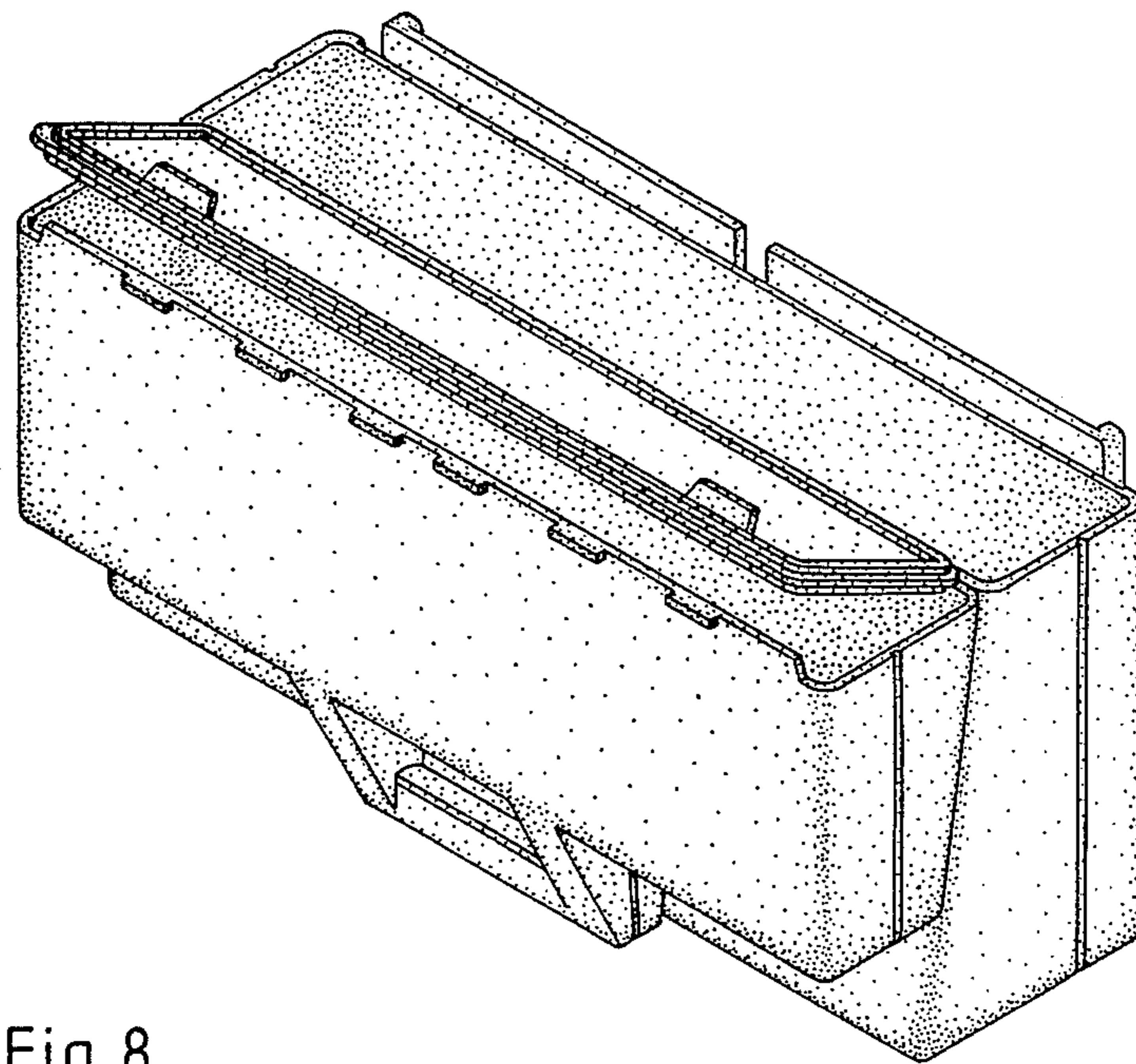


Fig. 8

Fig. 9

