

[54] COVERED FOOD STORAGE BOWL OR THE LIKE

[75] Inventor: Edward Meisner, Edgewater, N.J.

[73] Assignee: Anchor Hocking Corporation, Lancaster, Ohio

[**] Term: 14 Years

[21] Appl. No.: 936,012

[22] Filed: Nov. 28, 1986

[52] U.S. Cl. D7/602; D7/391; D7/538

[58] Field of Search D7/23, 3, 20, 17, 19, D7/18, 360, 361, 354, 391, 40, 76; D9/428, 429

[56] References Cited

U.S. PATENT DOCUMENTS

D. 238,237	12/1975	Herlow et al.	D7/76 X
D. 244,246	5/1977	Daenen	D7/76 X
D. 244,741	6/1977	Daenen	D7/76 X
D. 244,742	6/1977	Daenen	D7/76 X
D. 281,758	12/1985	Trombly	D7/391 X
3,957,097	5/1976	Swett	D7/76 X

OTHER PUBLICATIONS

Bloomington's Living Quarters, Spring/Summer 84 Cat., p. 24 left col., top panel #F "Rubbermaid's Sealed Plastic Bowls/Clear Bottoms."

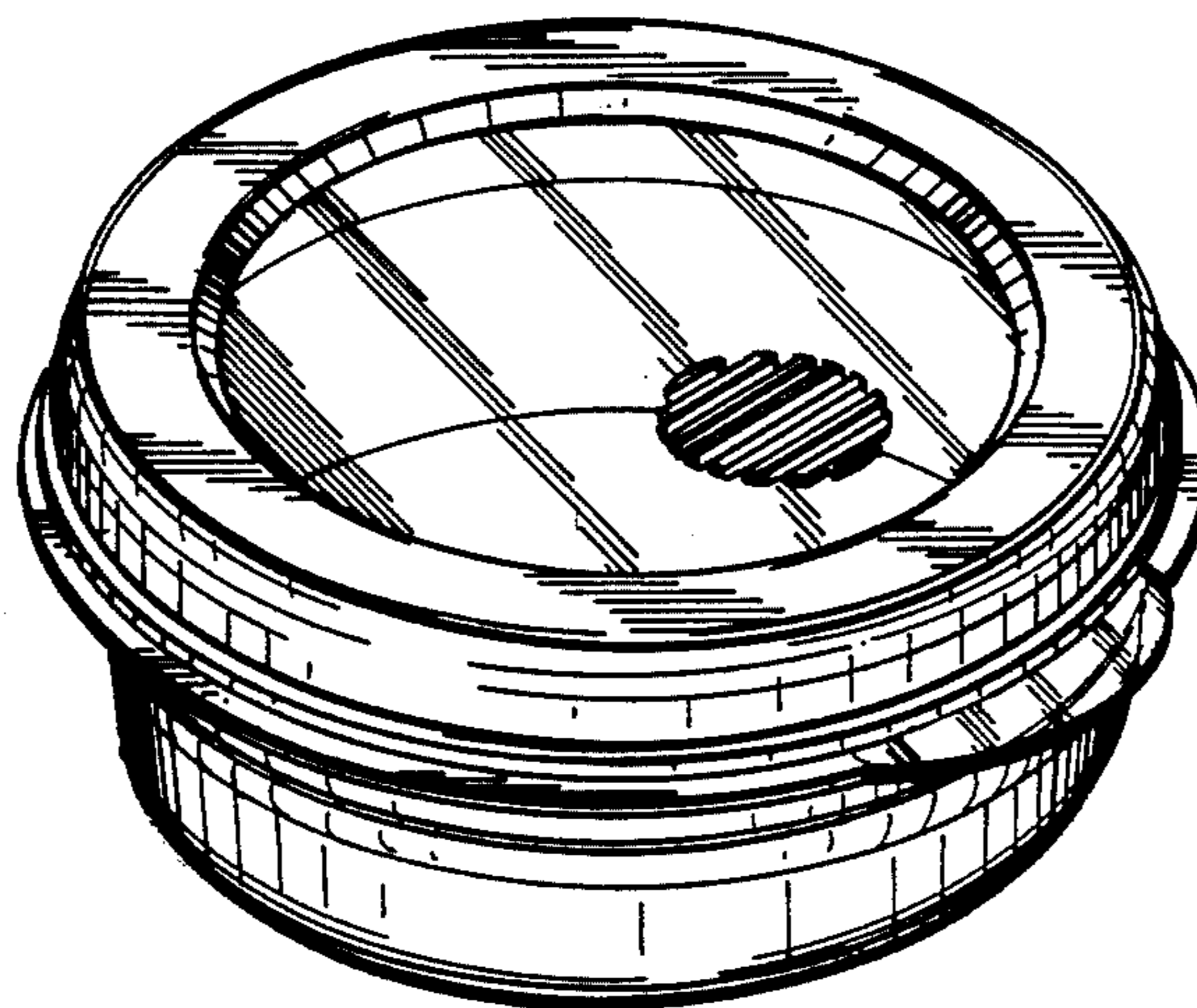
Primary Examiner—Winifred E. Herrmann
Attorney, Agent, or Firm—Wood, Herron & Evans

[57] CLAIM

The ornamental design for a covered food storage bowl or the like, as shown and described.

DESCRIPTION

FIG. 1 is a top, front and left side perspective view of a covered food storage bowl or the like showing my new design;
FIG. 2 is a front elevational view thereof;
FIG. 3 is a left side elevational view thereof, the side opposite being a mirror image;
FIG. 4 is a rear elevational view thereof;
FIG. 5 is a top plan view thereof;
FIG. 6 is a bottom plan view thereof; and
FIG. 7 is a rear elevational view thereof partially in section taken along line 7—7 of FIG. 5.



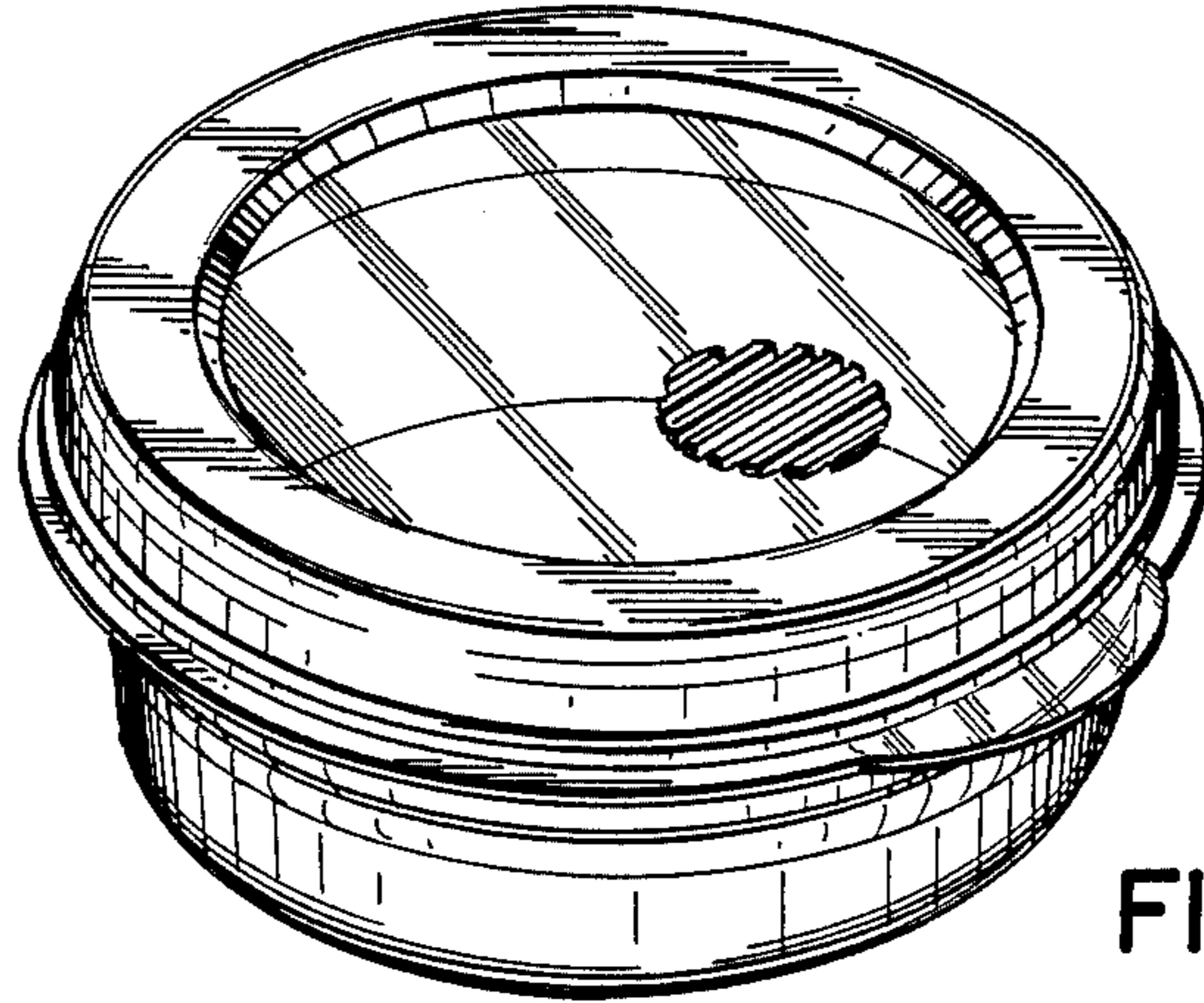


FIG. 1

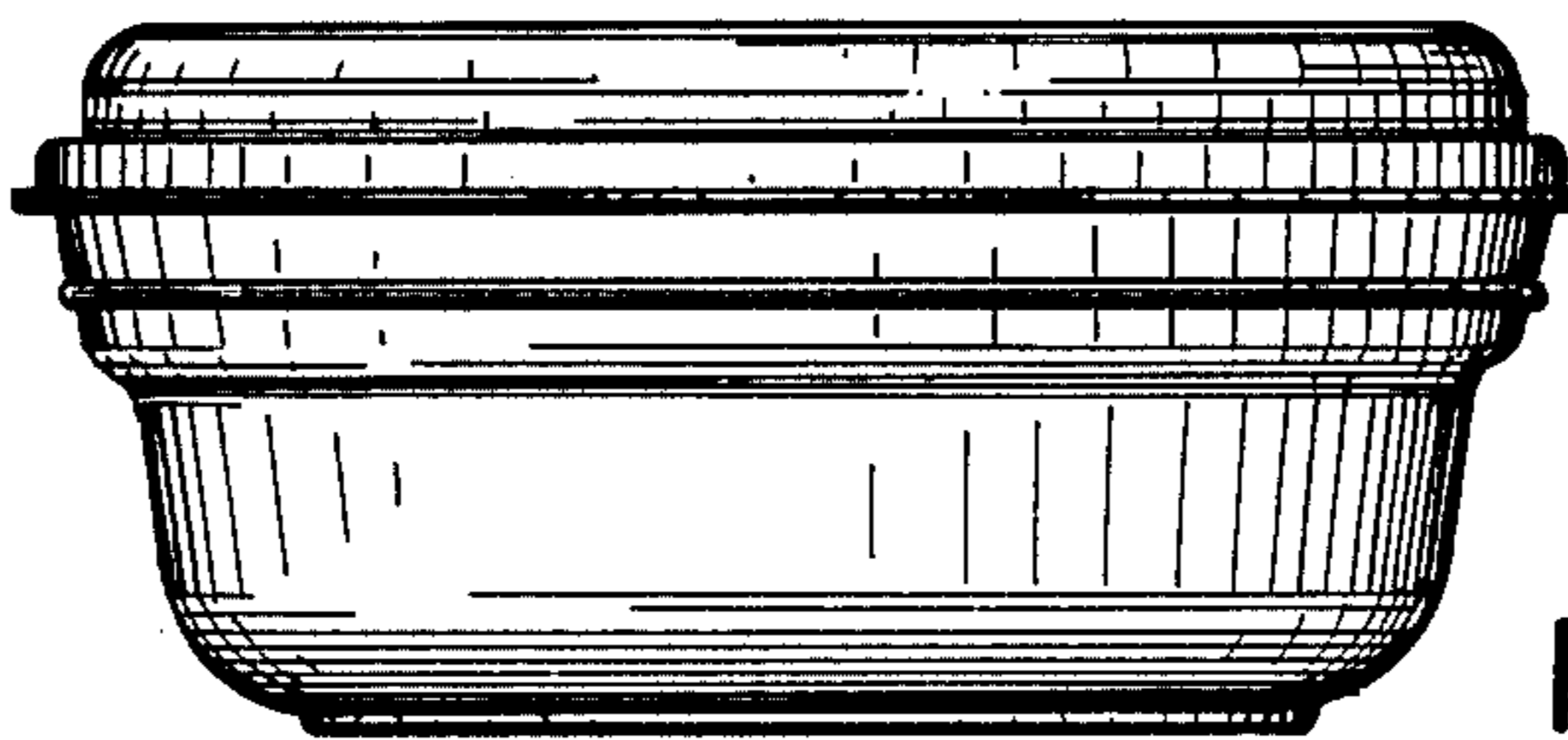


FIG. 2

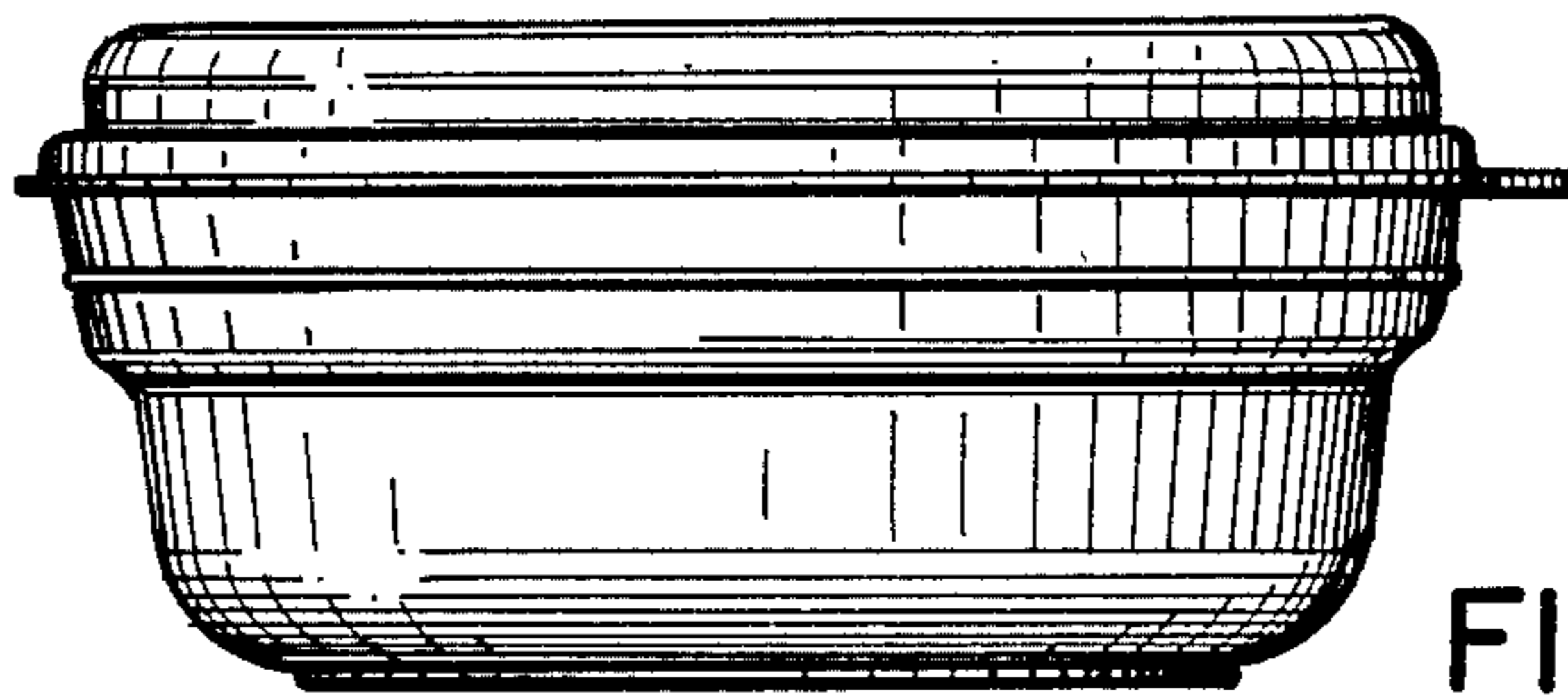


FIG. 3

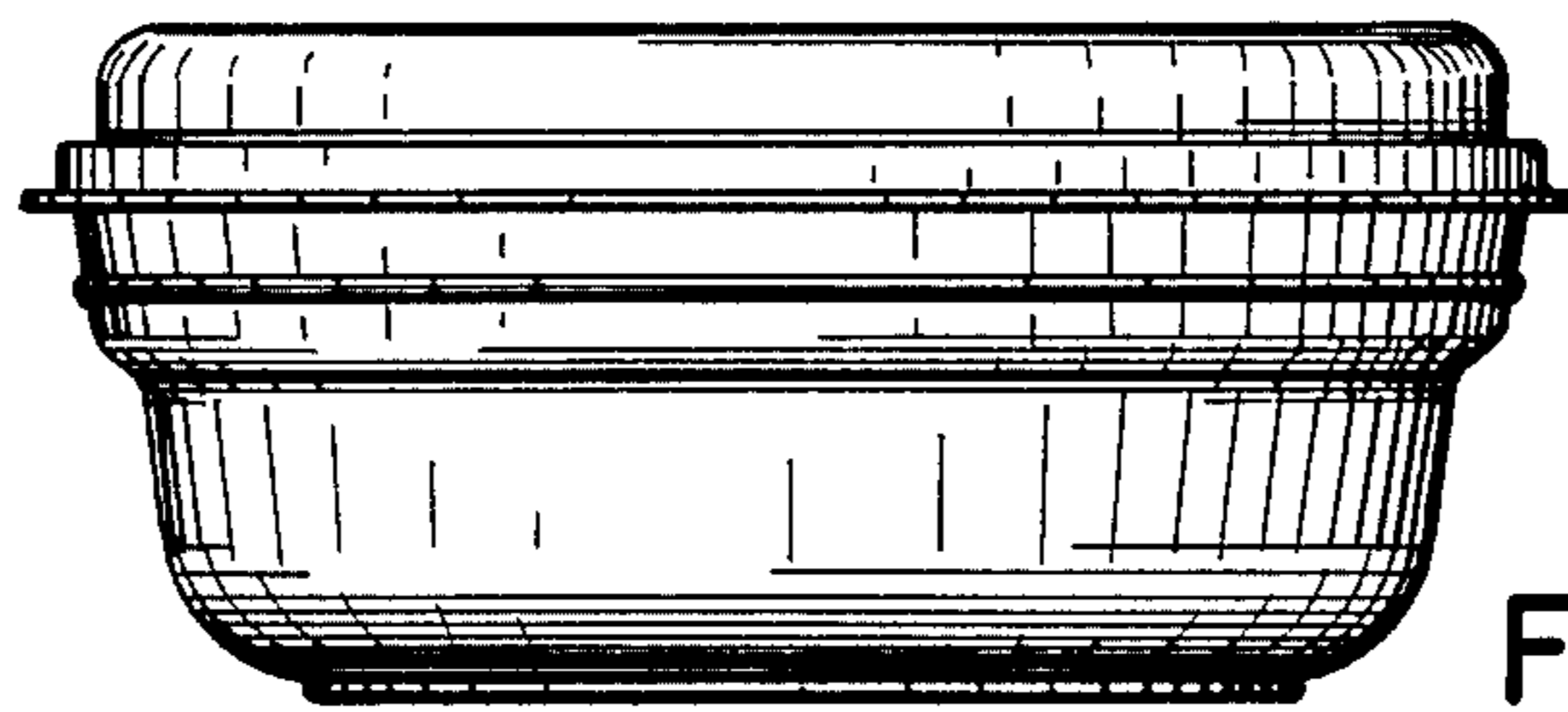


FIG. 4

