

[54] **DISPENSER**

[75] **Inventors: Steven Spring, Sydney; Robert Muras, Brookvale, both of Australia**

[73] **Assignee: Senhill Pty. Limited, Sydney, Australia**

[**] **Term: 14 Years**

[21] **Appl. No.: 240,898**

[22] **Filed: Aug. 31, 1988**

[30] **Foreign Application Priority Data**

Mar. 1, 1988 [AU]	Australia	0635/88
[52] U.S. Cl.		D7/589
[58] Field of Search	D7/76, 79, 52; 222/404, 222/356-357; D6/510	

[56]

References Cited

U.S. PATENT DOCUMENTS

D. 276,020	10/1984	Battista	D7/79
4,718,578	1/1988	Radak et al.	222/357 X

Primary Examiner—Bernard Ansher
Assistant Examiner—Terry A. Pfeffer
Attorney, Agent, or Firm—Townsend and Townsend

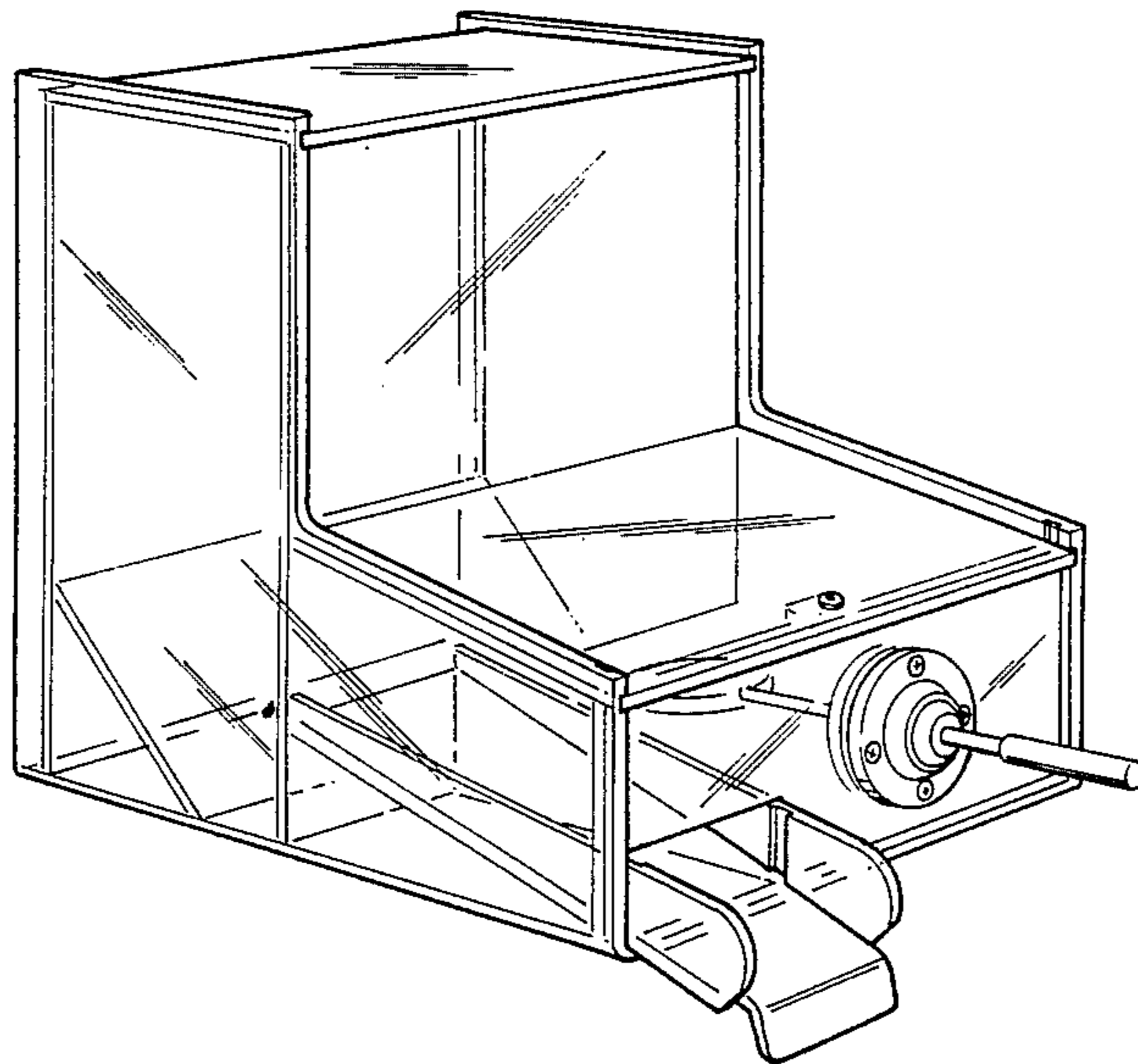
[57]

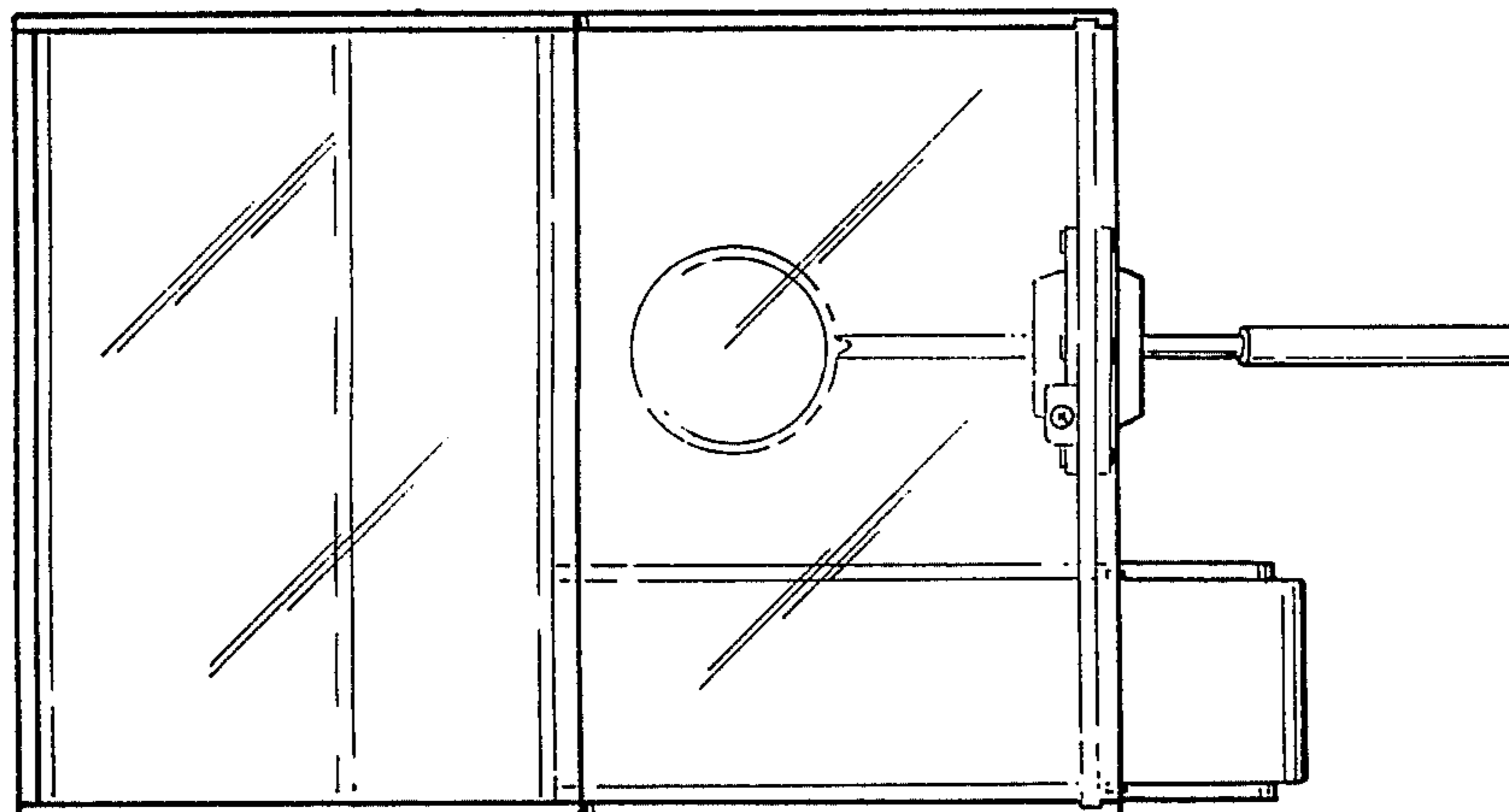
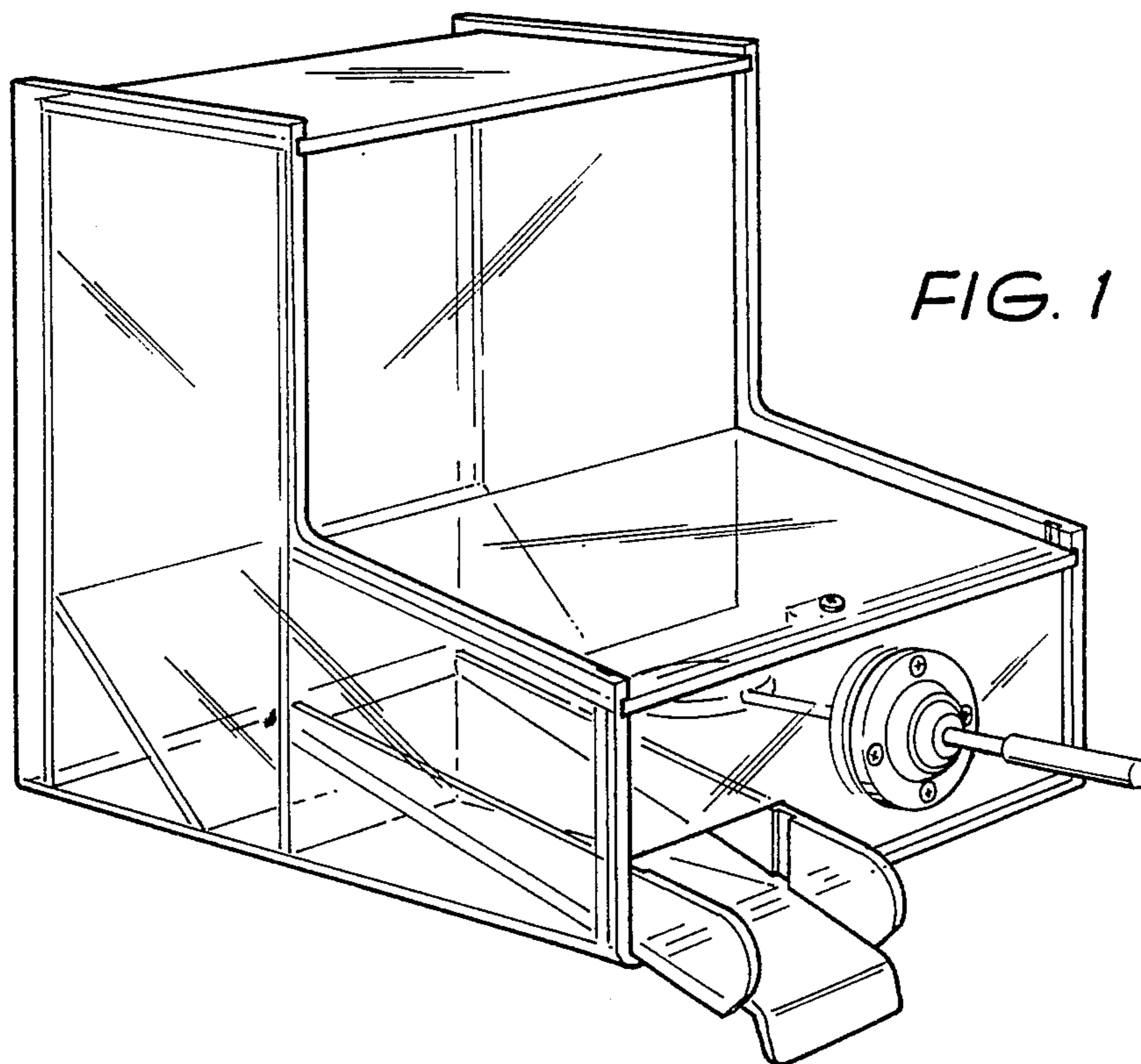
CLAIM

The ornamental design for a dispenser, as shown.

DESCRIPTION

FIG. 1 is a front perspective view of a dispenser showing our new design;
FIG. 2 is a top plan view thereof;
FIG. 3 is a front elevational view thereof;
FIG. 4 is a rear elevational view thereof;
FIG. 5 is a left side elevational view thereof;
FIG. 6 is a bottom plan view thereof; and
FIG. 7 is a right side elevational view thereof.





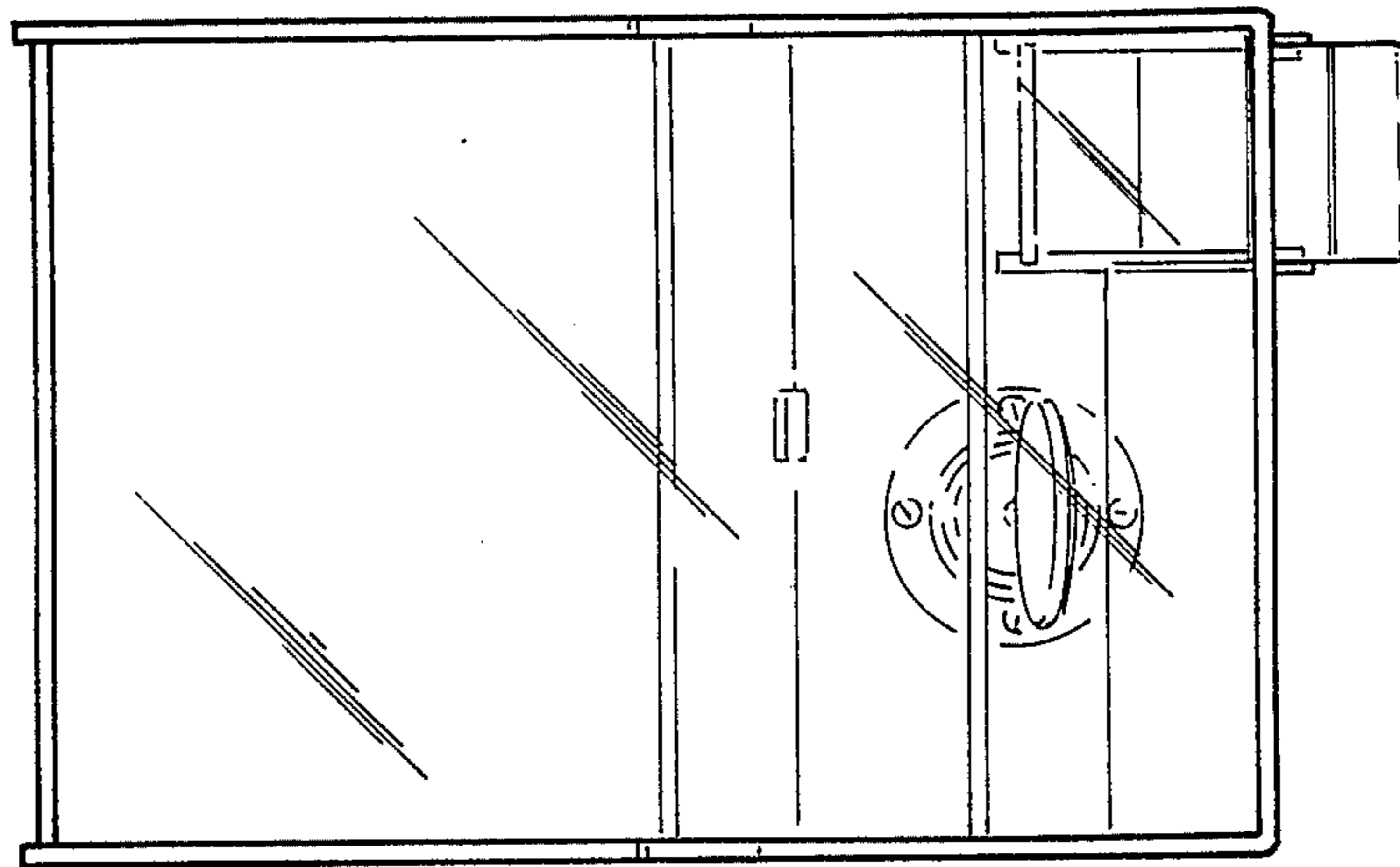


FIG. 4

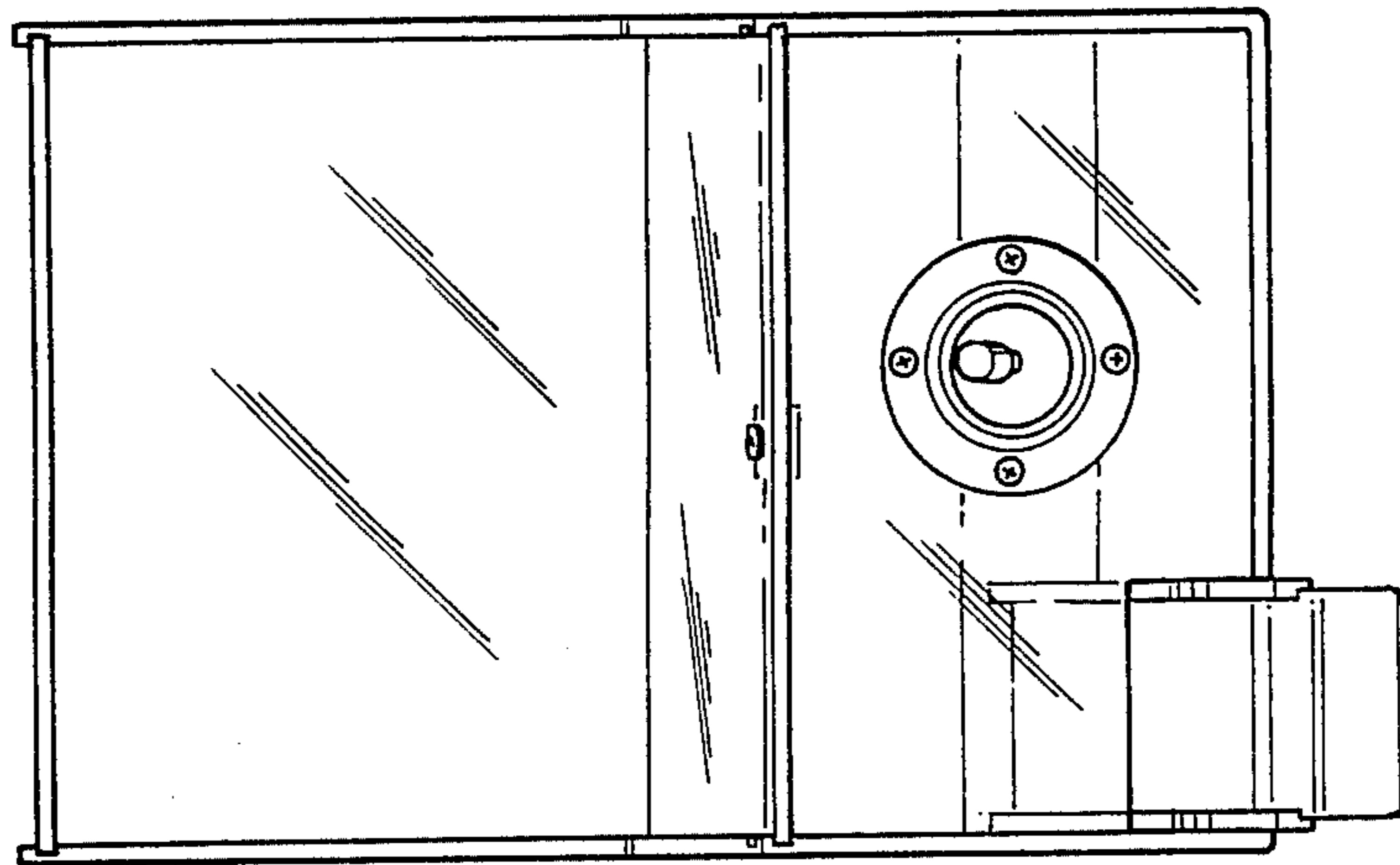
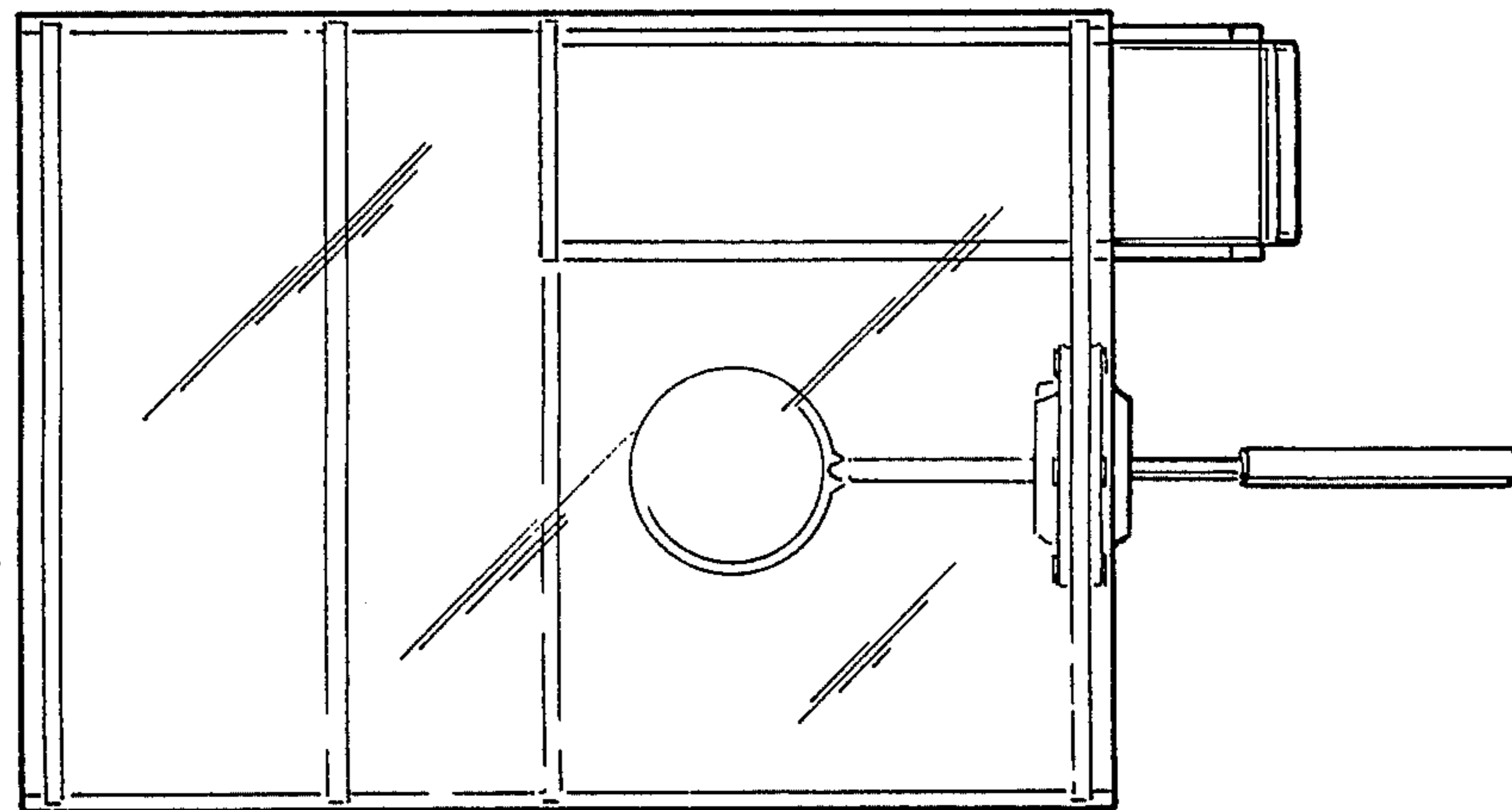
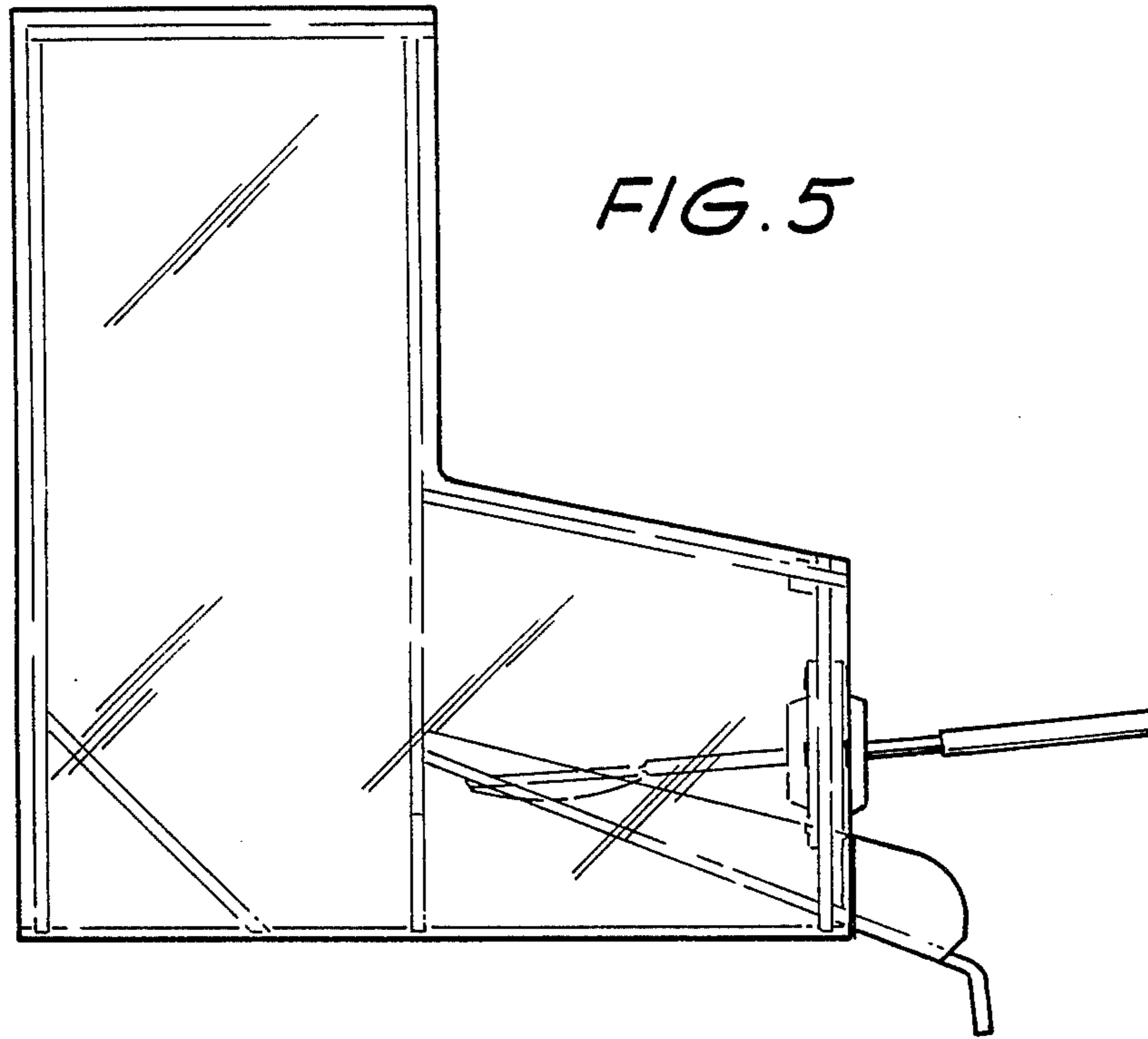


FIG. 3



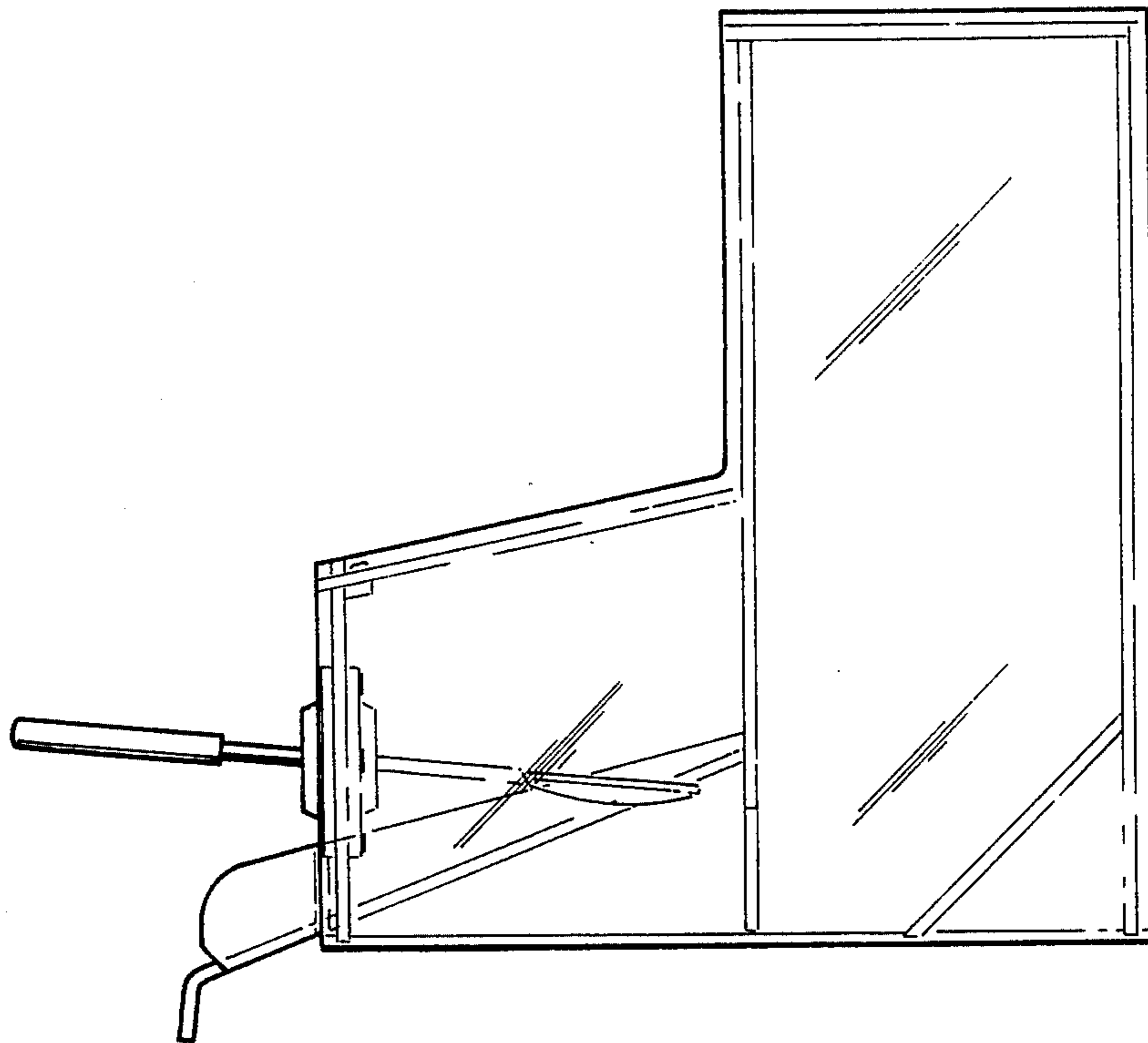


FIG. 7