

# United States Patent [19]

Pozzi

[11] Patent Number: Des. 309,550

[45] Date of Patent: \*\* Jul. 31, 1990

[54] FOODSTUFFS CONTAINER WITH A SPOON

4,095,716 6/1978 Meany ..... D7/3 X

[75] Inventor: Ambrogio Pozzi, Gallarate, Italy

### FOREIGN PATENT DOCUMENTS

[73] Assignee: Fratelli Guzzini S.p.A., Recanti (Macerata), Italy

103339 2/1938 Australia ..... D7/17 X

[\*\*] Term: 14 Years

Primary Examiner—Winifred E. Herrmann  
Attorney, Agent, or Firm—Hedman, Gibson, Costigan & Hoare

[21] Appl. No.: 109,253

### [57] CLAIM

[22] Filed: Oct. 16, 1987

The ornamental design for a foodstuffs container with a spoon, as shown and described.

### [30] Foreign Application Priority Data

Apr. 27, 1987 [IT] Italy ..... 21464/87[U]

### DESCRIPTION

[52] U.S. Cl. .... D7/505; D7/538; D7/653

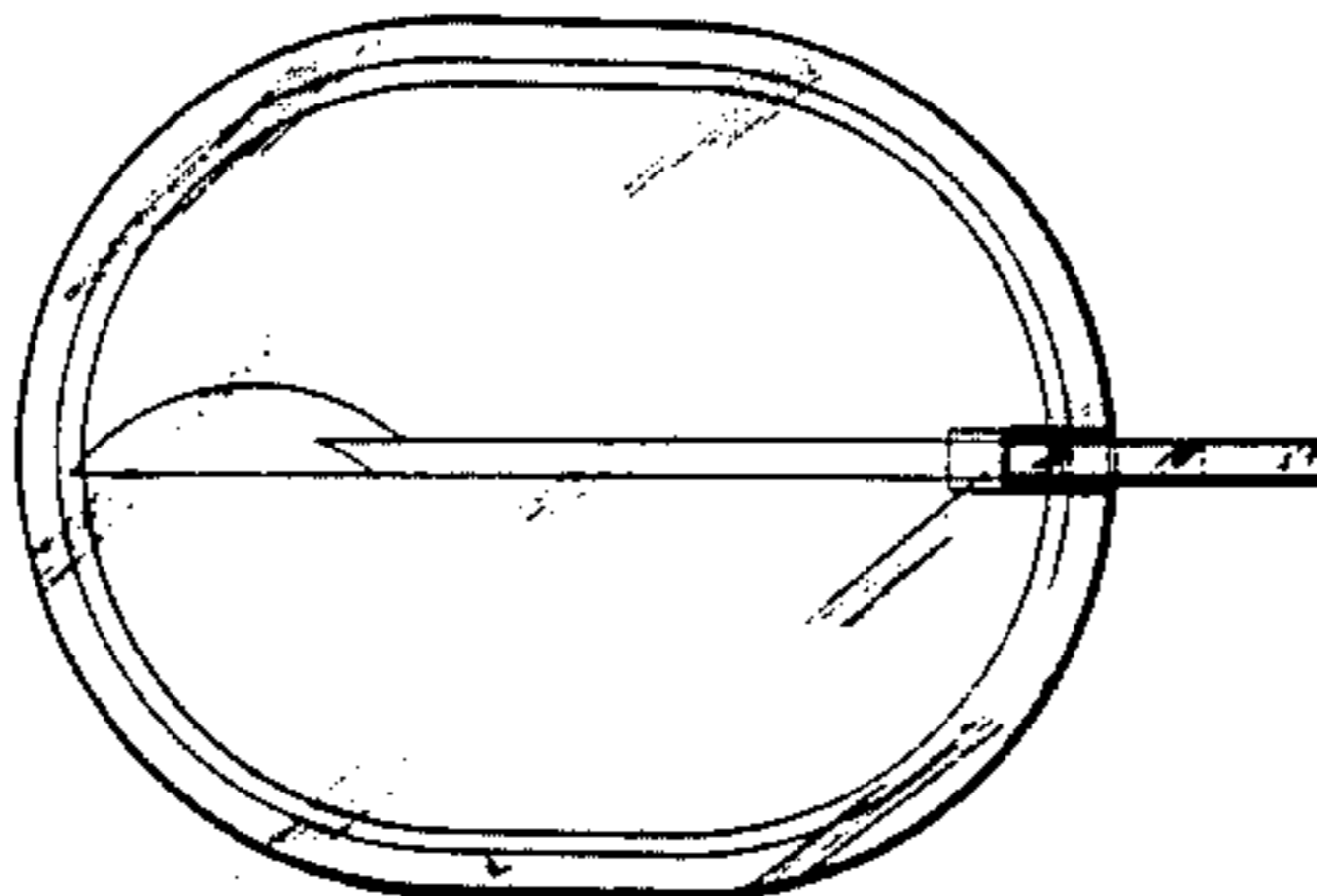
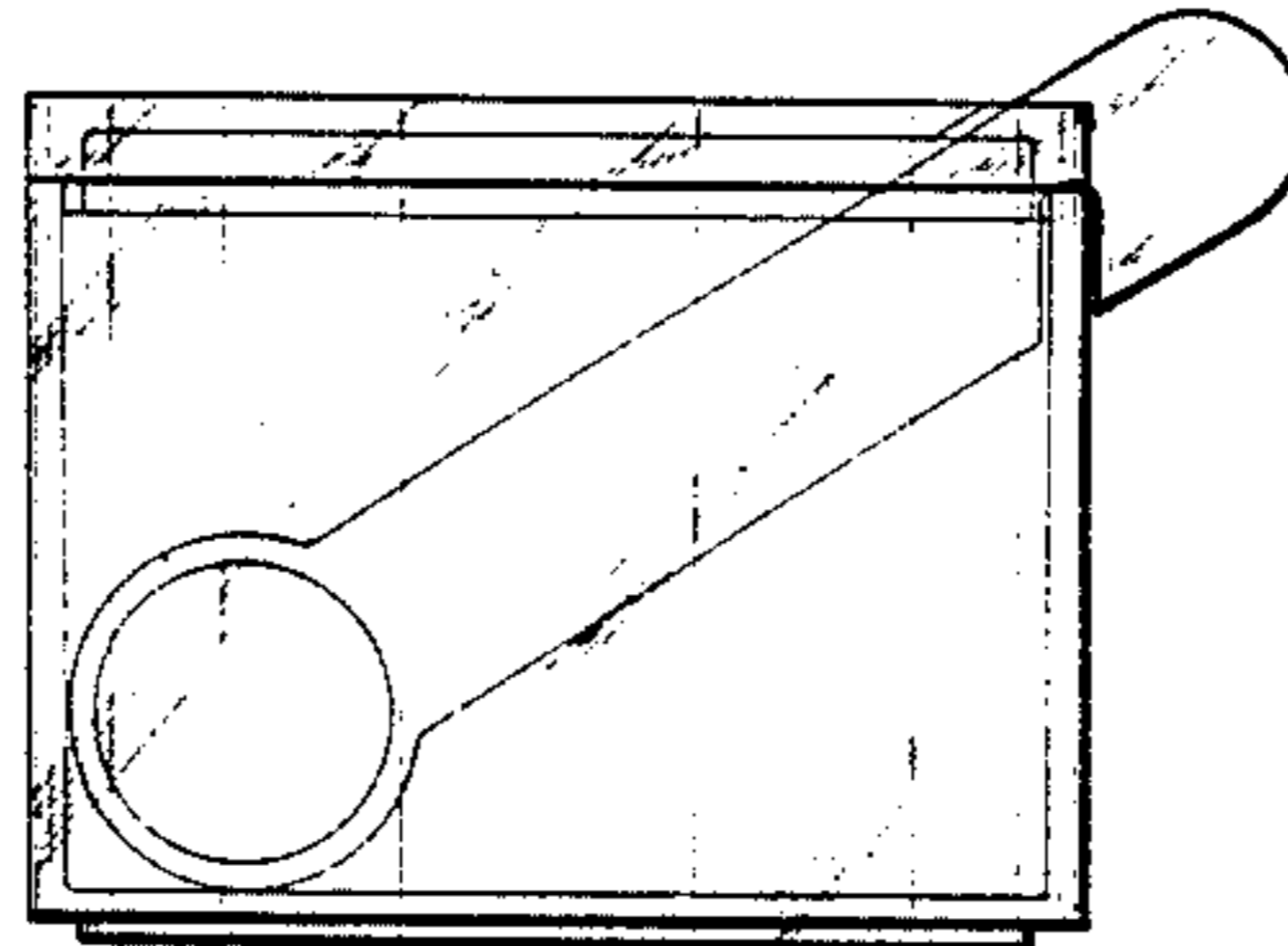
[58] Field of Search ..... D7/76, 77, 16-18, D7/3, 138; D9/423, 424, 337, 428

FIG. 1 is a top perspective view of a foodstuffs container with a spoon showing my new design; FIG. 2 is an exploded top perspective view thereof; FIG. 3 is a side elevational view thereof taken in the direction of arrow 3 on FIG. 1; FIG. 4 is another side elevational view thereof taken in the direction of arrow 4 on FIG. 1; FIG. 5 is a further side elevational view thereof taken in the direction of arrow 5 on FIG. 1; FIG. 6 is a top plan view thereof; and FIG. 7 is a bottom plan view thereof.

### [56] References Cited

#### U.S. PATENT DOCUMENTS

D. 280,058 8/1985 Carlson ..... D7/16  
2,004,449 6/1935 Stanley ..... D7/16 X  
2,840,292 6/1958 Stoddard ..... D7/3 X



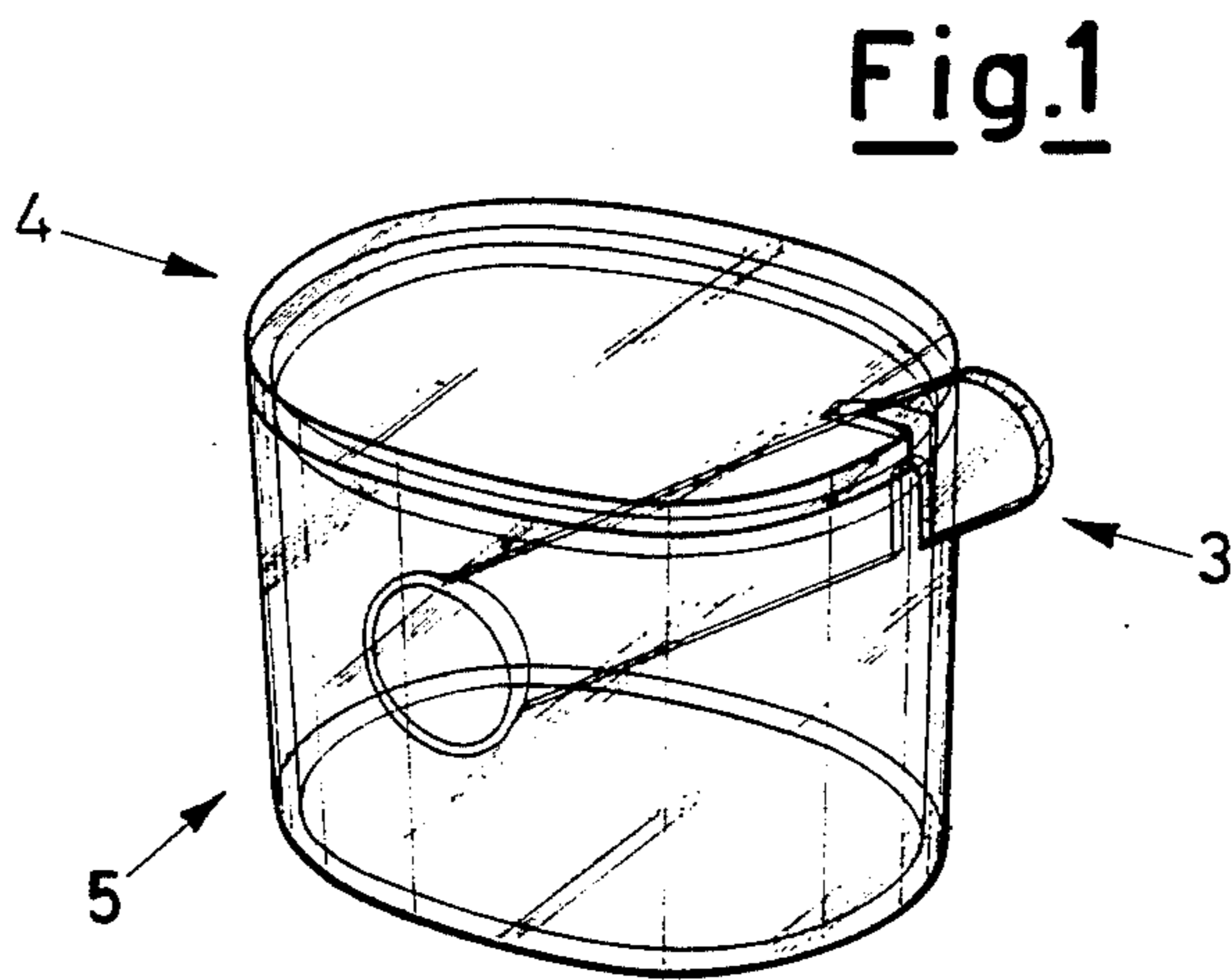
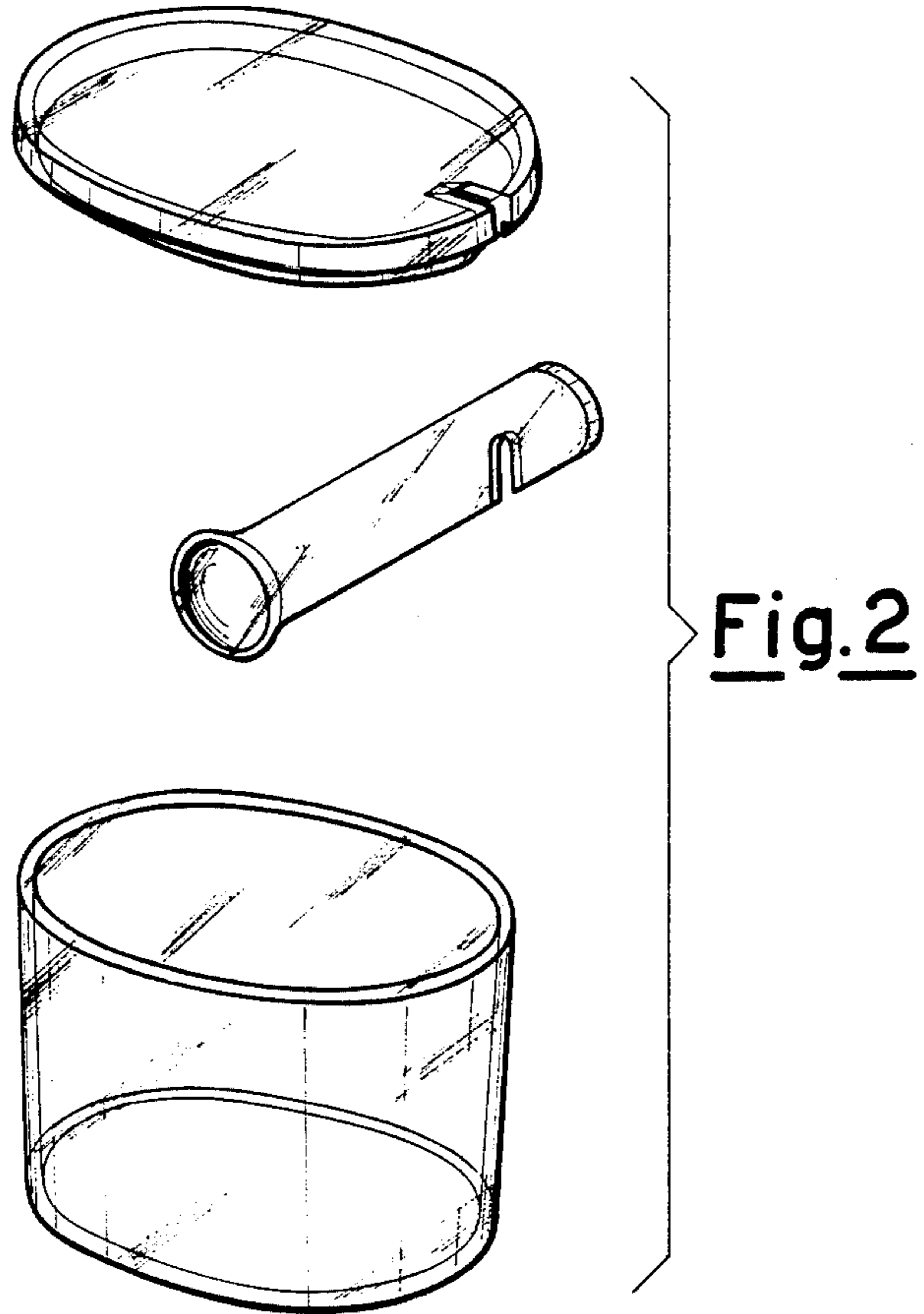


Fig.3

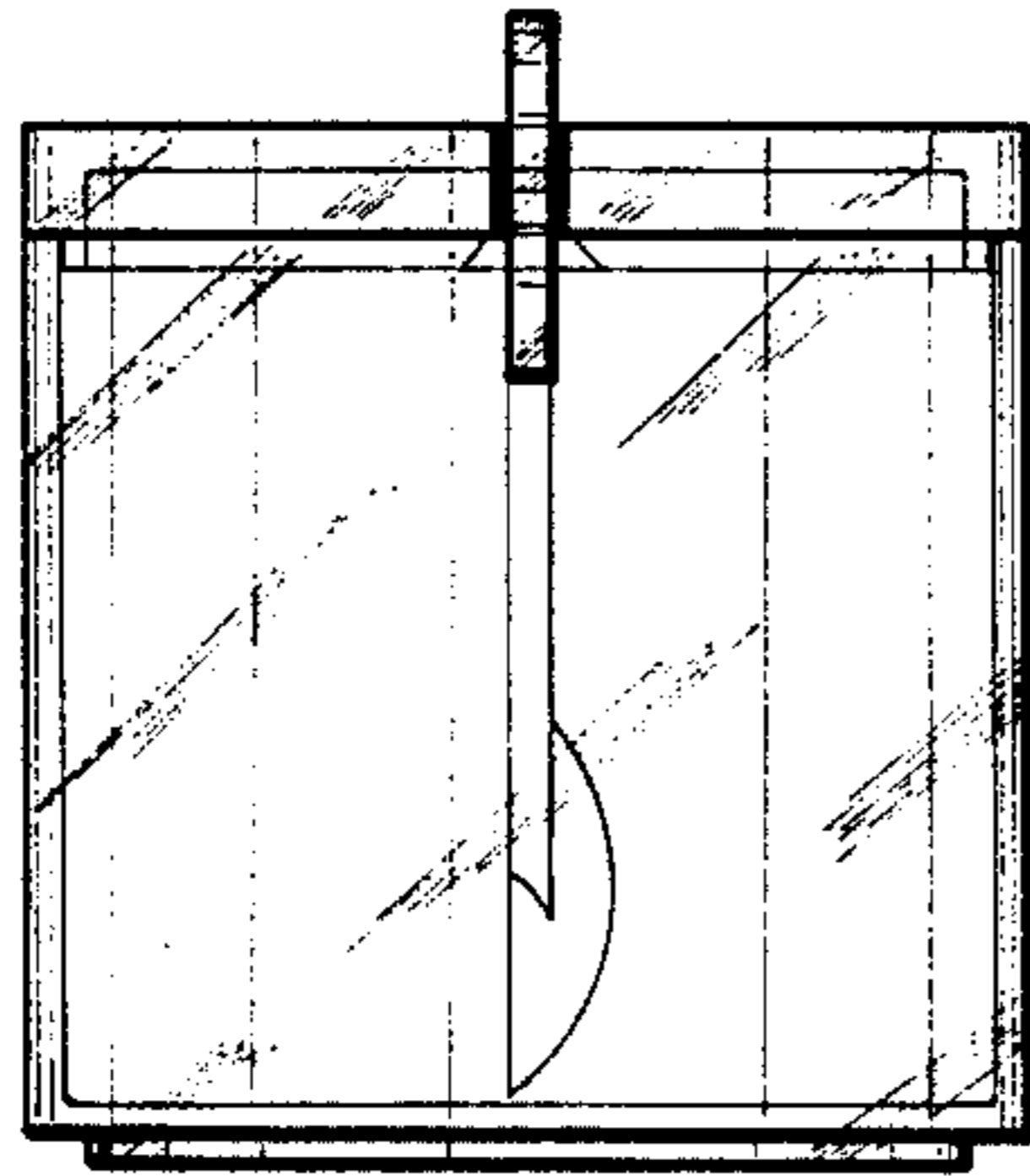


Fig.4

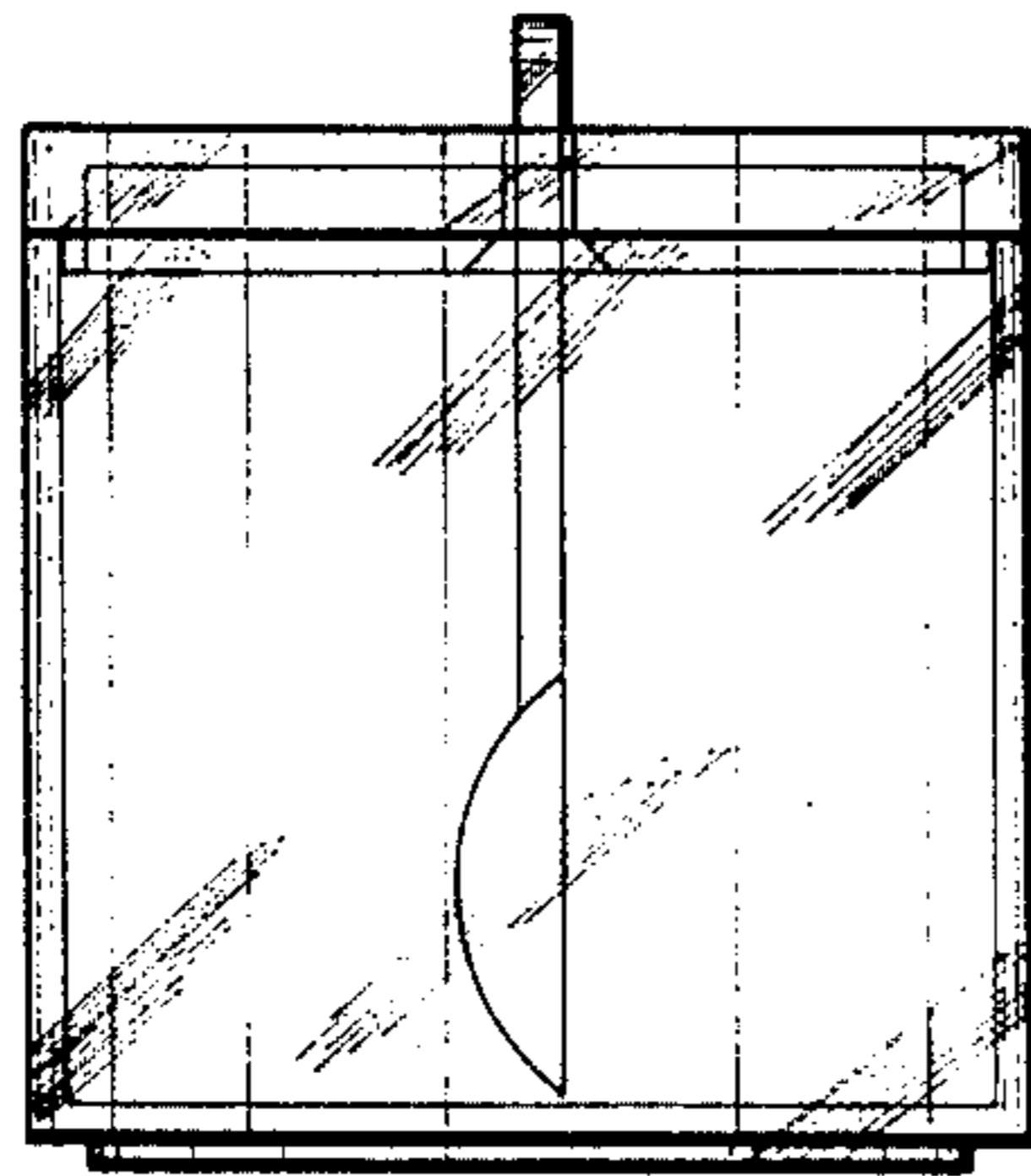


Fig.7

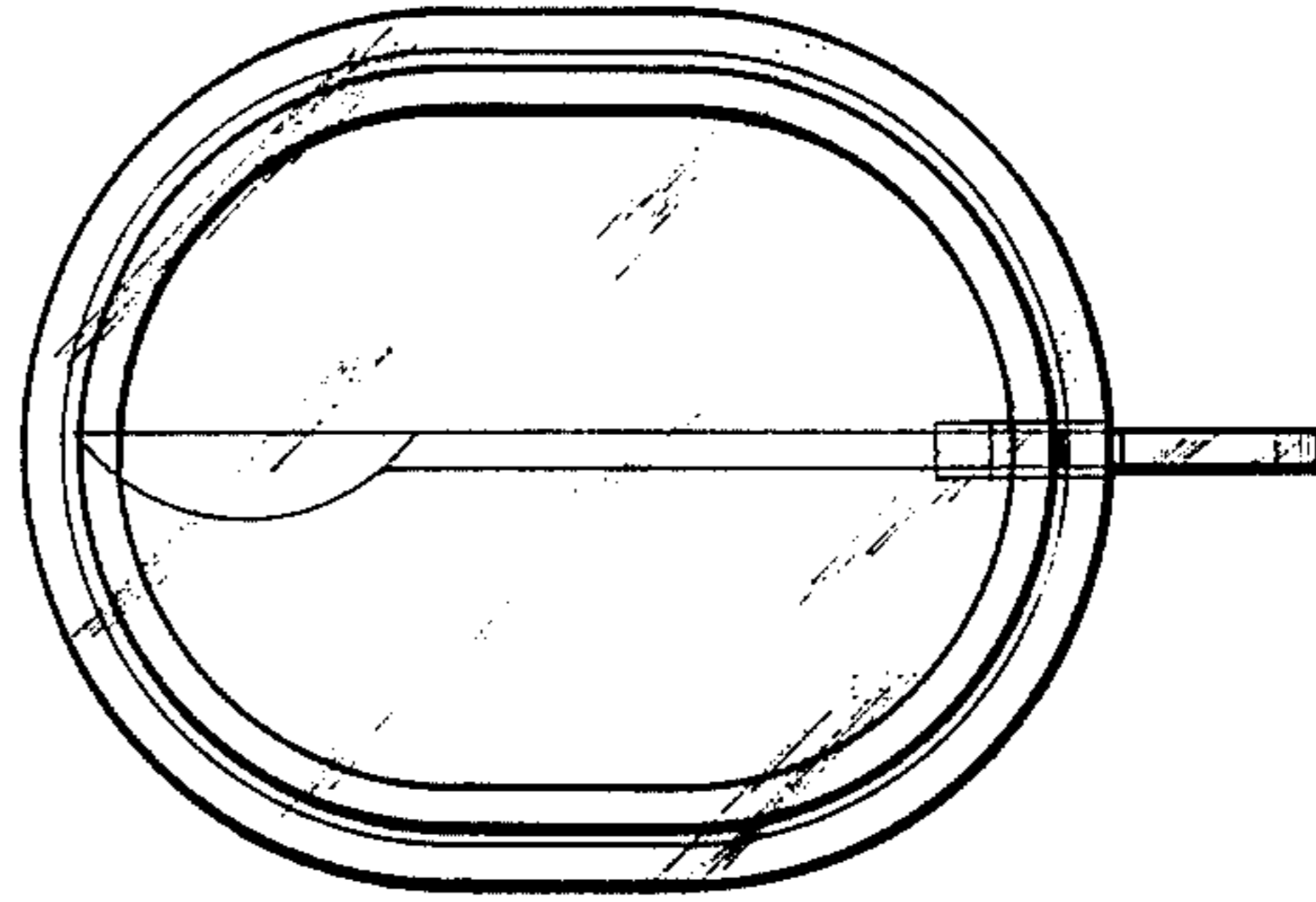


Fig.5

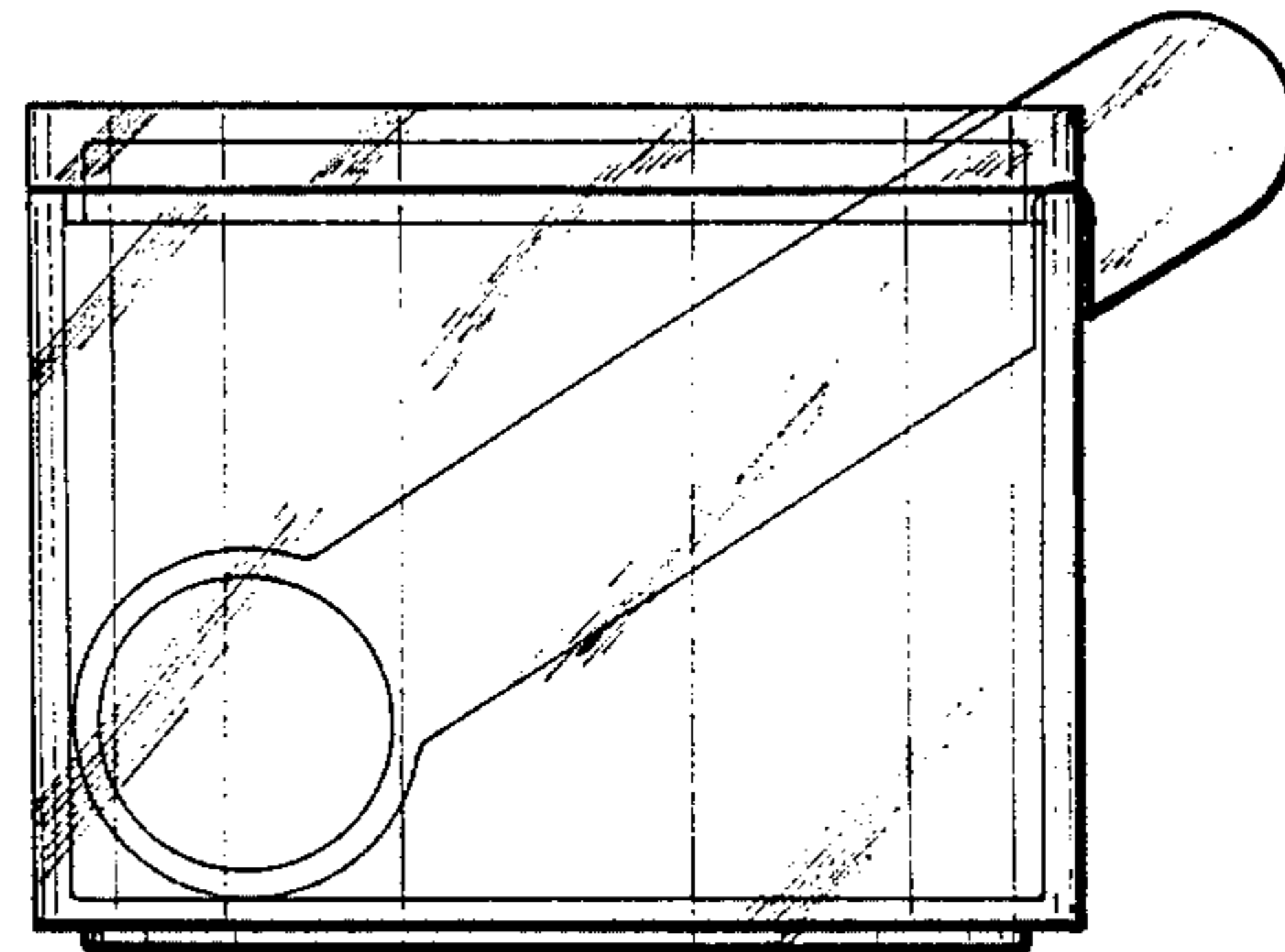


Fig.6

