

[54] **WAFFLE IRON PLATES**

[75] **Inventor: Donald O. Stephens, Peoria, Ill.**

[73] **Assignee: CoBatCo., Inc., Peoria, Ill.**

[\*\*] **Term: 14 Years**

[21] **Appl. No.: 152,064**

[22] **Filed: Feb. 4, 1988**

[52] **U.S. Cl. .... D7/410**

[58] **Field of Search ..... 99/372, 376, 380;  
D7/353, 410, 352, 409, 411, 359, 363, 332, 334**

[56] **References Cited**

**U.S. PATENT DOCUMENTS**

D. 37,277	12/1904	Andresen	.....	D7/410
D. 118,811	2/1940	Borg	.....	D7/410
D. 246,194	10/1977	Patton	.....	D7/352 X
2,026,286	12/1935	Samuels	.....	99/372

**OTHER PUBLICATIONS**

Restaurant & Institutions, Aug. 1985, p. 204.

Williams-Sonoma Catalog, Jul. 1986, p. 19, Pizzelle Iron (B), right center.

Best Catalog 1983/1984, p. 245, Toastmaster Pizzelle and Waffle Baker (3), right center.

*Primary Examiner*—Bruce W. Dunkins

*Assistant Examiner*—Janice Seeger

*Attorney, Agent, or Firm*—Sixbey, Friedman, Leedom & Ferguson

[57] **CLAIM**

The ornamental design for waffle iron plates, as shown and described.

**DESCRIPTION**

FIG. 1 is a perspective view of waffle iron plates showing my design on a reduced scale;

FIG. 2 is a top plan view;

FIG. 3 is a side elevational view, the undisclosed side portions thereof being the same in appearance; and

FIG. 4 is a bottom plan view thereof;

The broken lines depicting a waffle iron and support unit in FIG. 1 have been shown for illustrative purposes only.

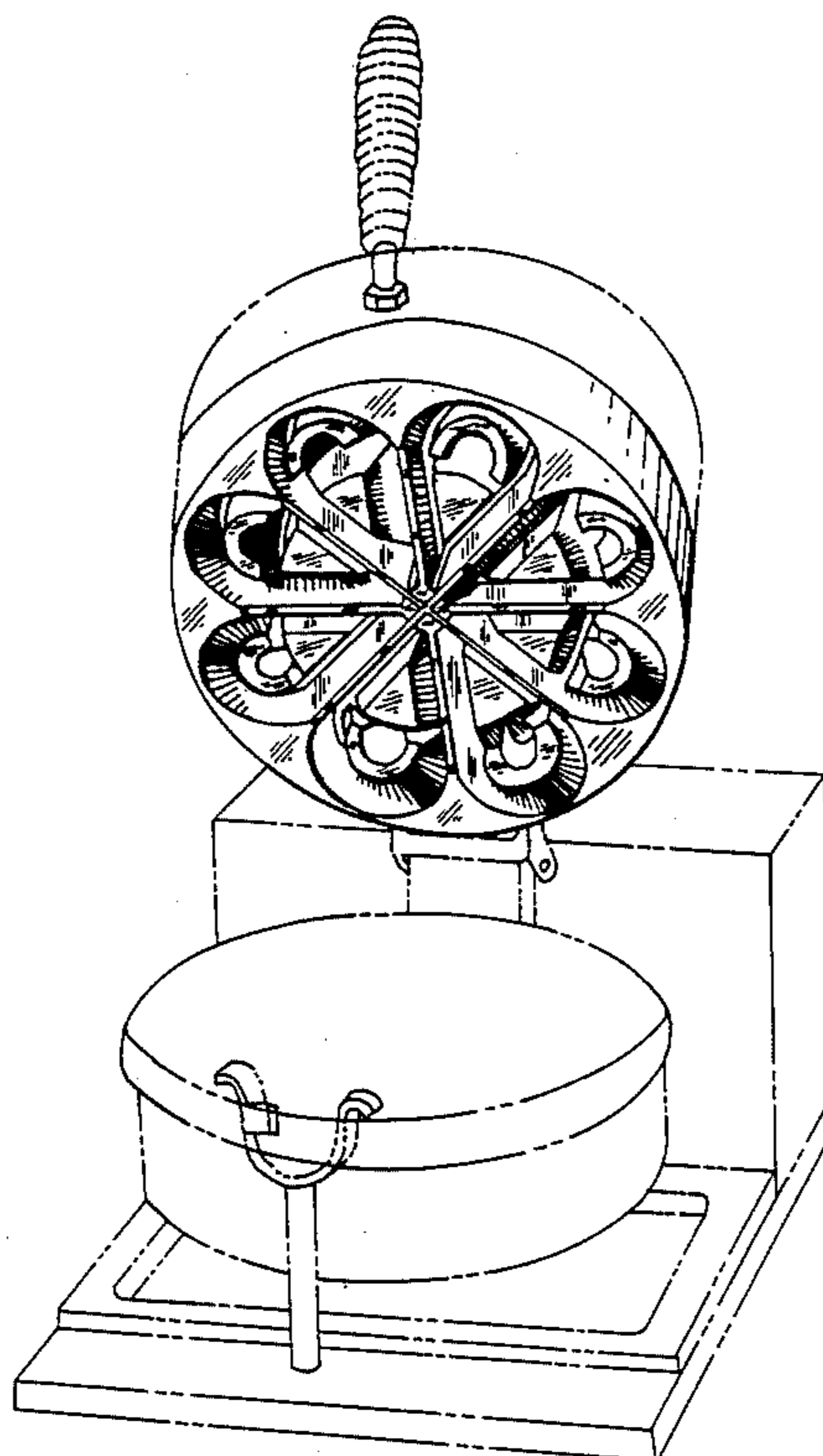


FIG. 1

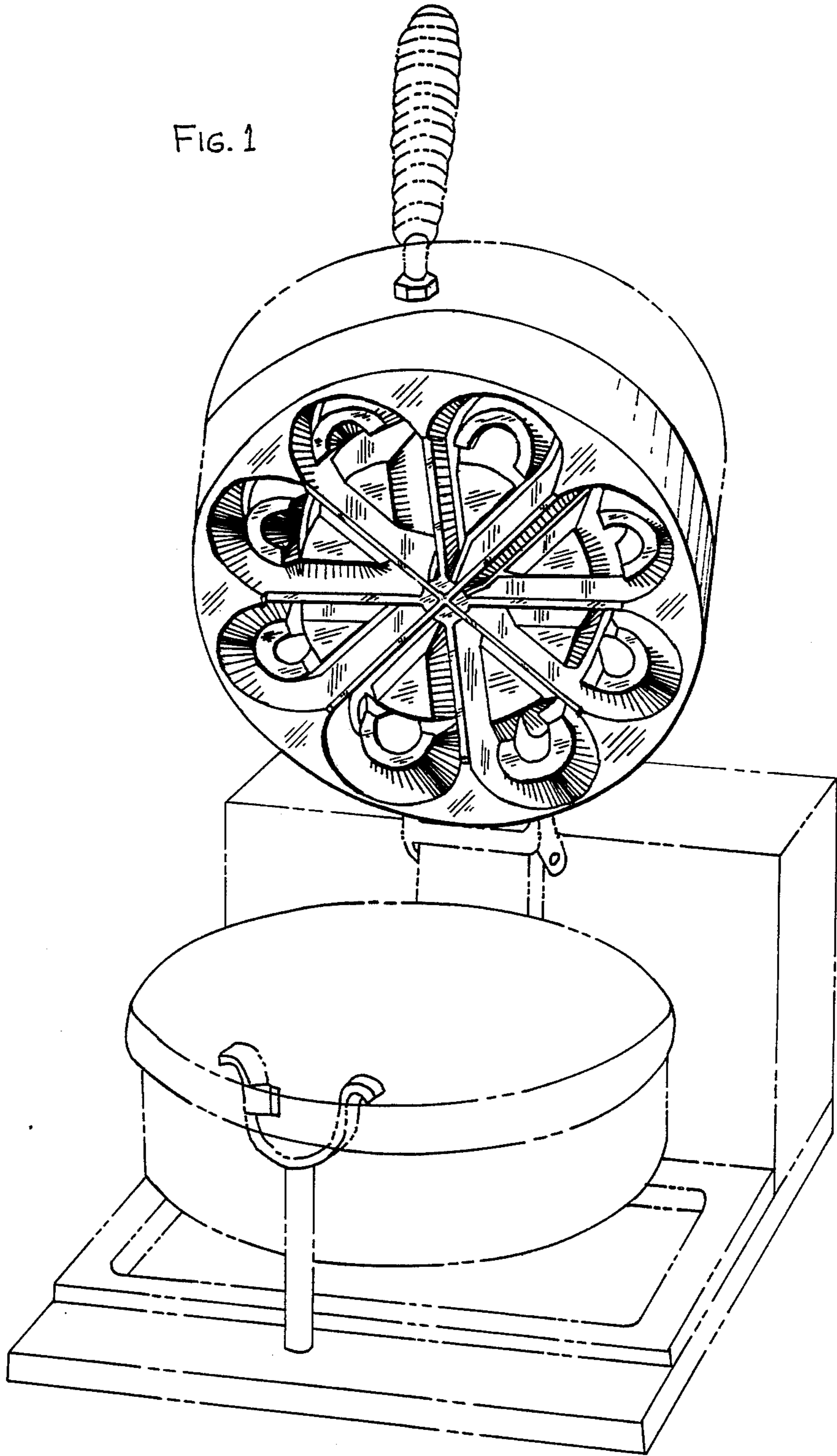


FIG. 2

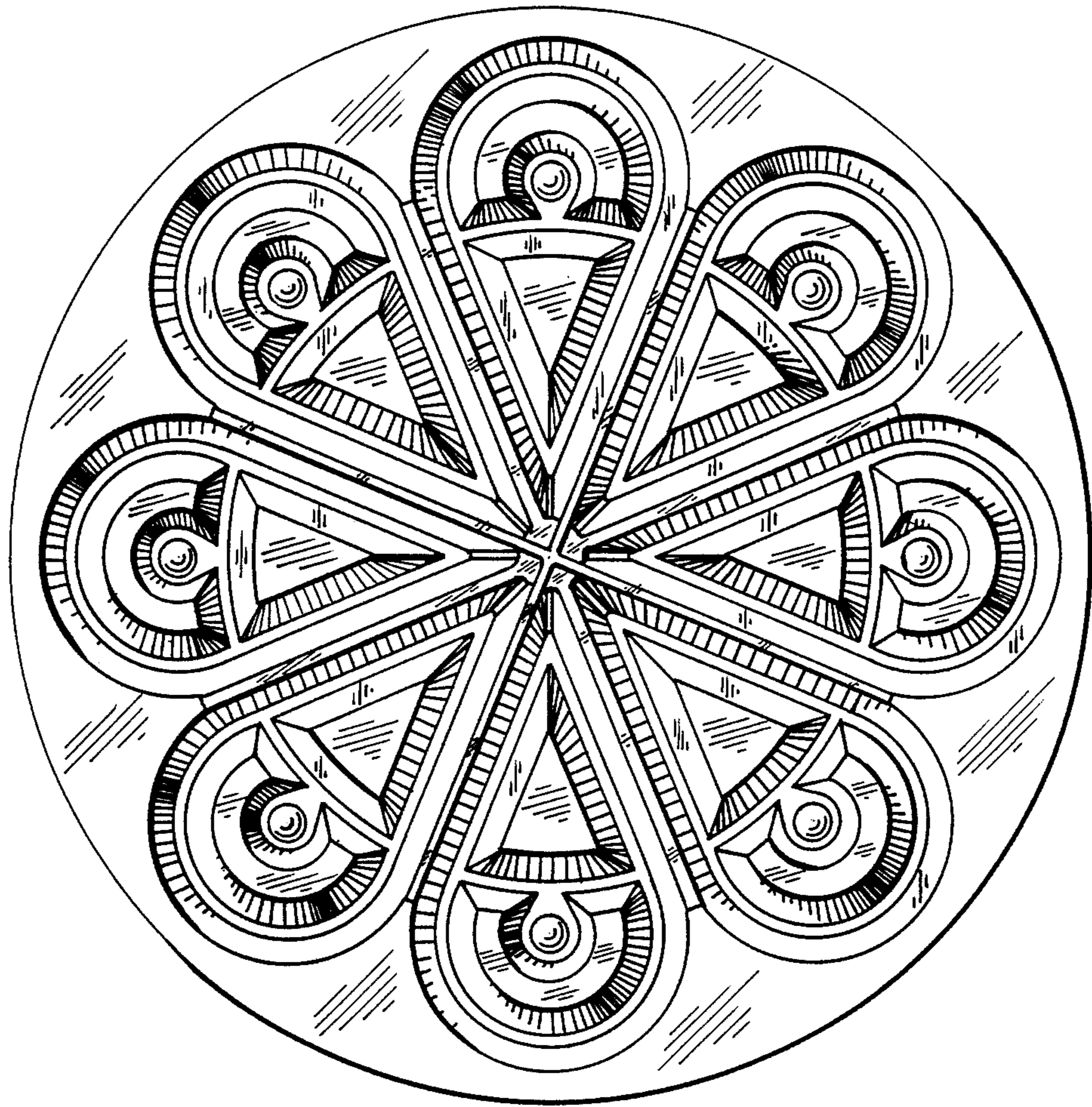




FIG. 3

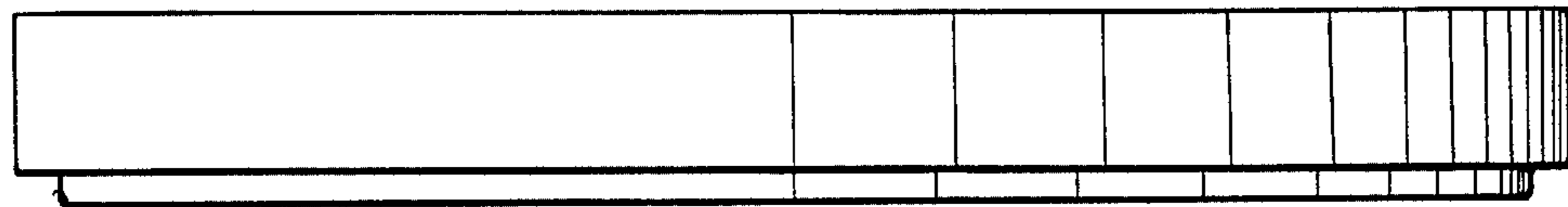


FIG. 4

