

[54] COMBINED COFFEE MAKING AND HOT WATER DISPENSING MACHINE

[75] Inventor: Raymond E. Van Camp, Rochester, Ill.

[73] Assignee: Bunn-O-Matic Corporation, Springfield, Ill.

[\*\*] Term: 14 Years

[21] Appl. No.: 129,678

[22] Filed: Dec. 7, 1987

[52] U.S. Cl. .... D7/308; D7/309

[58] Field of Search ..... D7/305, 308, 309

[56] References Cited

U.S. PATENT DOCUMENTS

D. 103,508	3/1937	Renner	.....	D7/309
D. 194,091	11/1962	Ruhnke	.....	D7/309
D. 225,592	12/1972	Bardeau	.....	D7/309
D. 274,029	5/1984	Daugherty	.....	D7/309
3,122,987	3/1964	Ruhnke	.....	D7/309 X

OTHER PUBLICATIONS

*Cecilware Coffee & Cooking Equipment*, Cat. No. 86, 1975, pp. 24, 25 RCS-50 Automatic Coffee Brewer.

*Primary Examiner*—Winifred E. Herrmann  
*Attorney, Agent, or Firm*—Richard Bushnell

[57] CLAIM

The ornamental design for a combined coffee making and hot water dispensing machine, as shown and described.

DESCRIPTION

FIG. 1 is a left-front perspective view of a combined coffee making and hot water dispensing machine embodying my new design.

FIG. 2 is a front elevation thereof.

FIG. 3 is a left side elevation thereof.

FIG. 4 is a top plan view thereof.

FIG. 5 is a right side elevation thereof.

FIG. 6 is a rear elevation thereof.

FIG. 7 is a bottom plan view thereof.

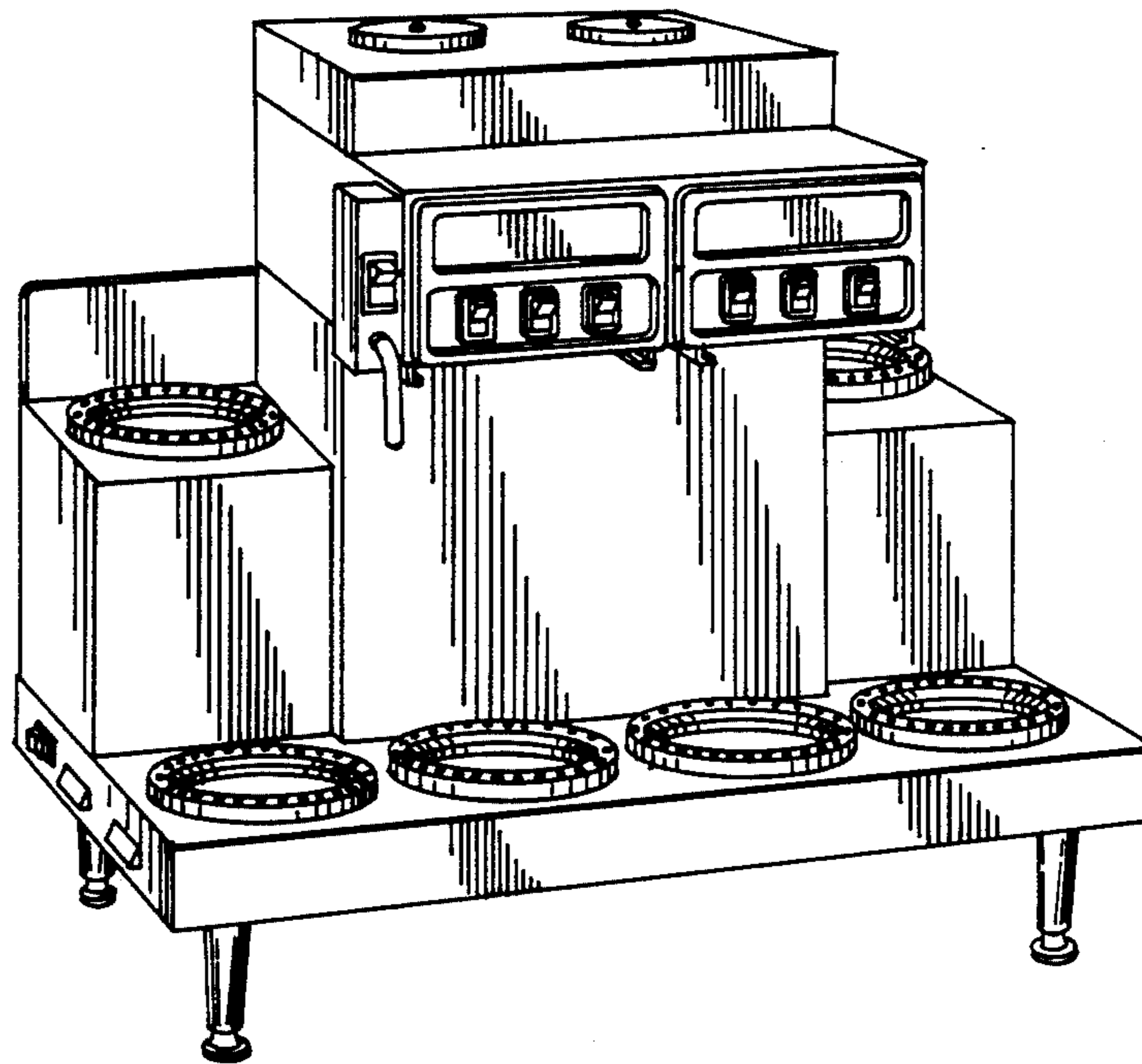


FIG. 1

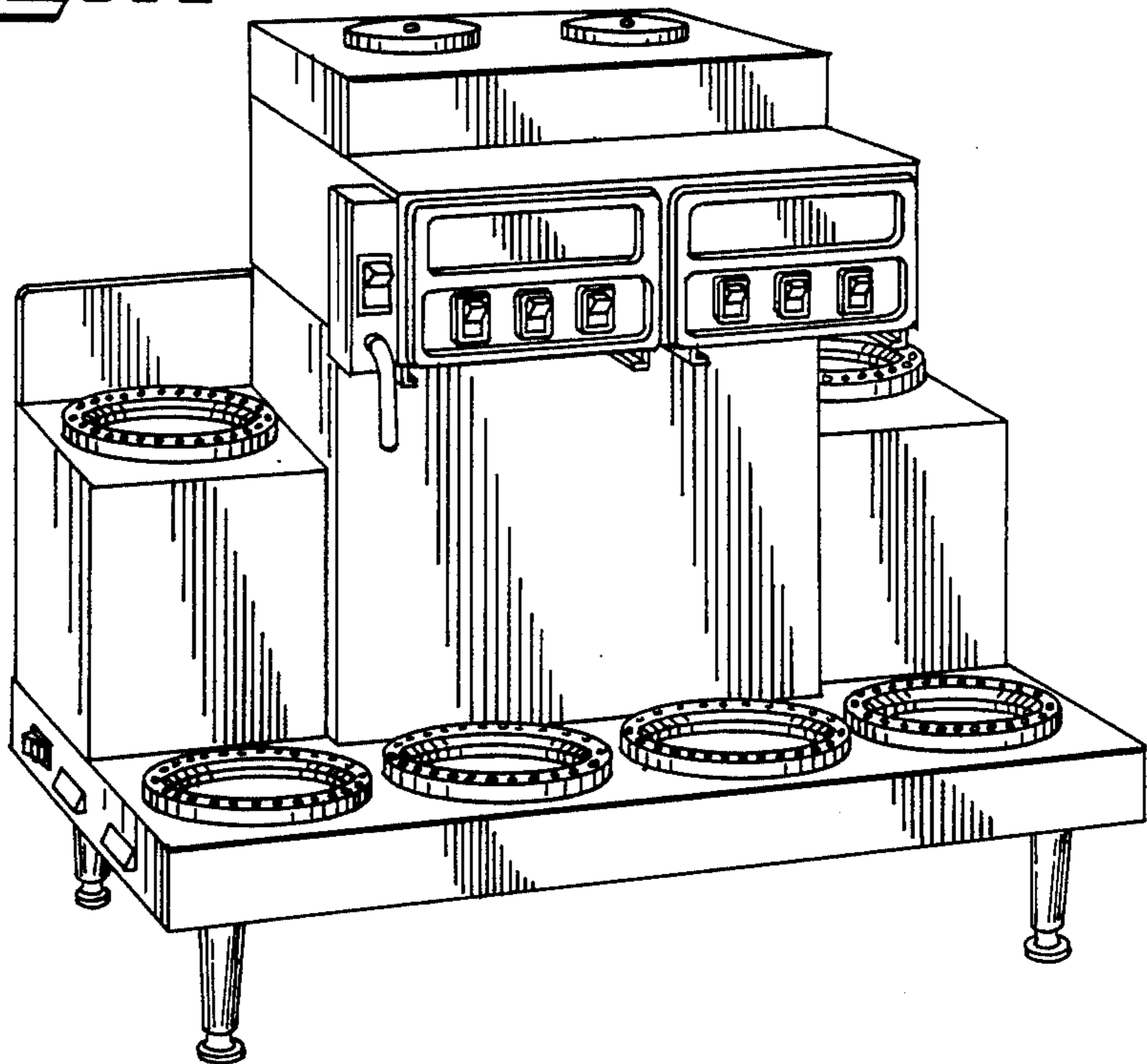


FIG. 2

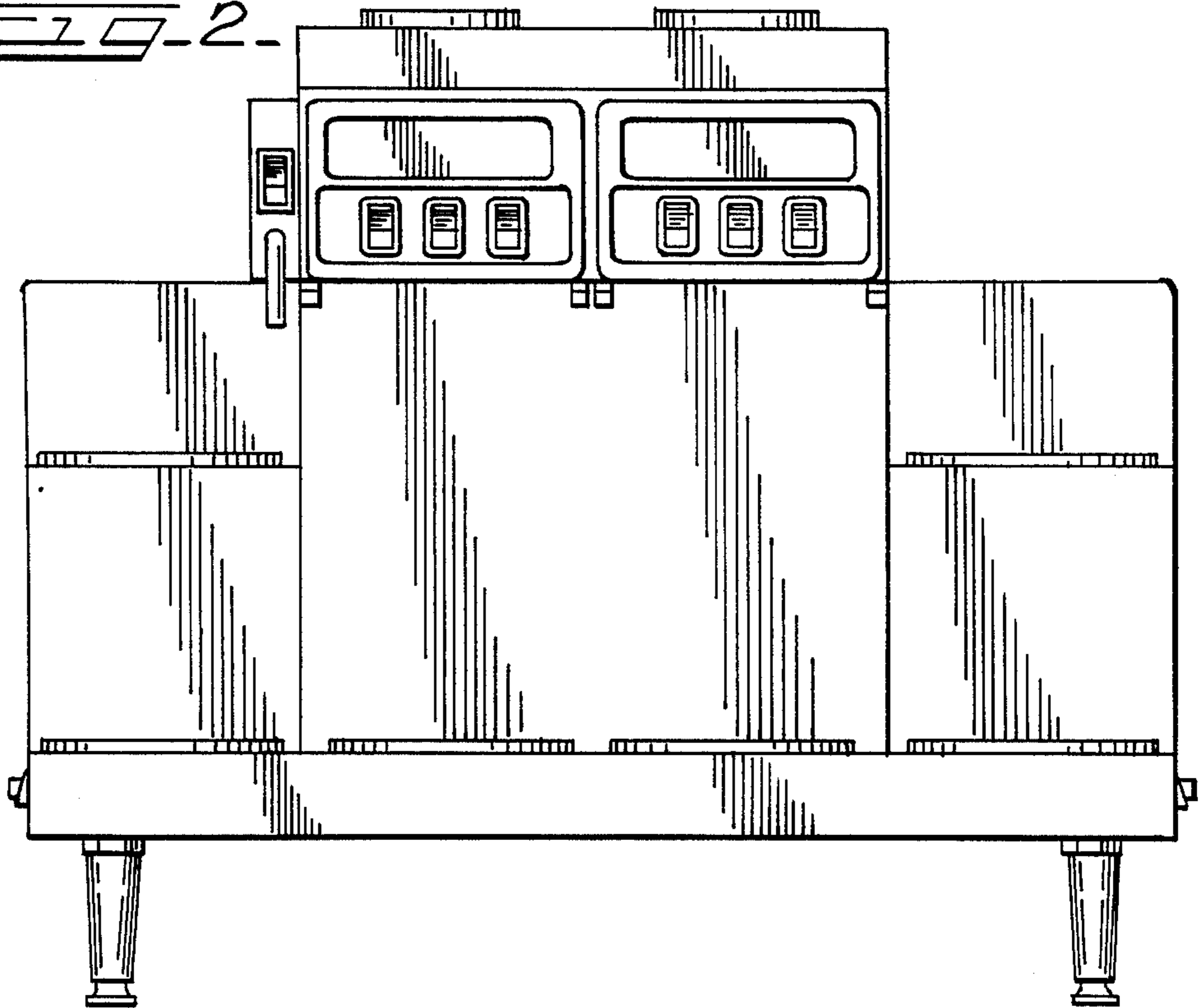


FIG. 3.

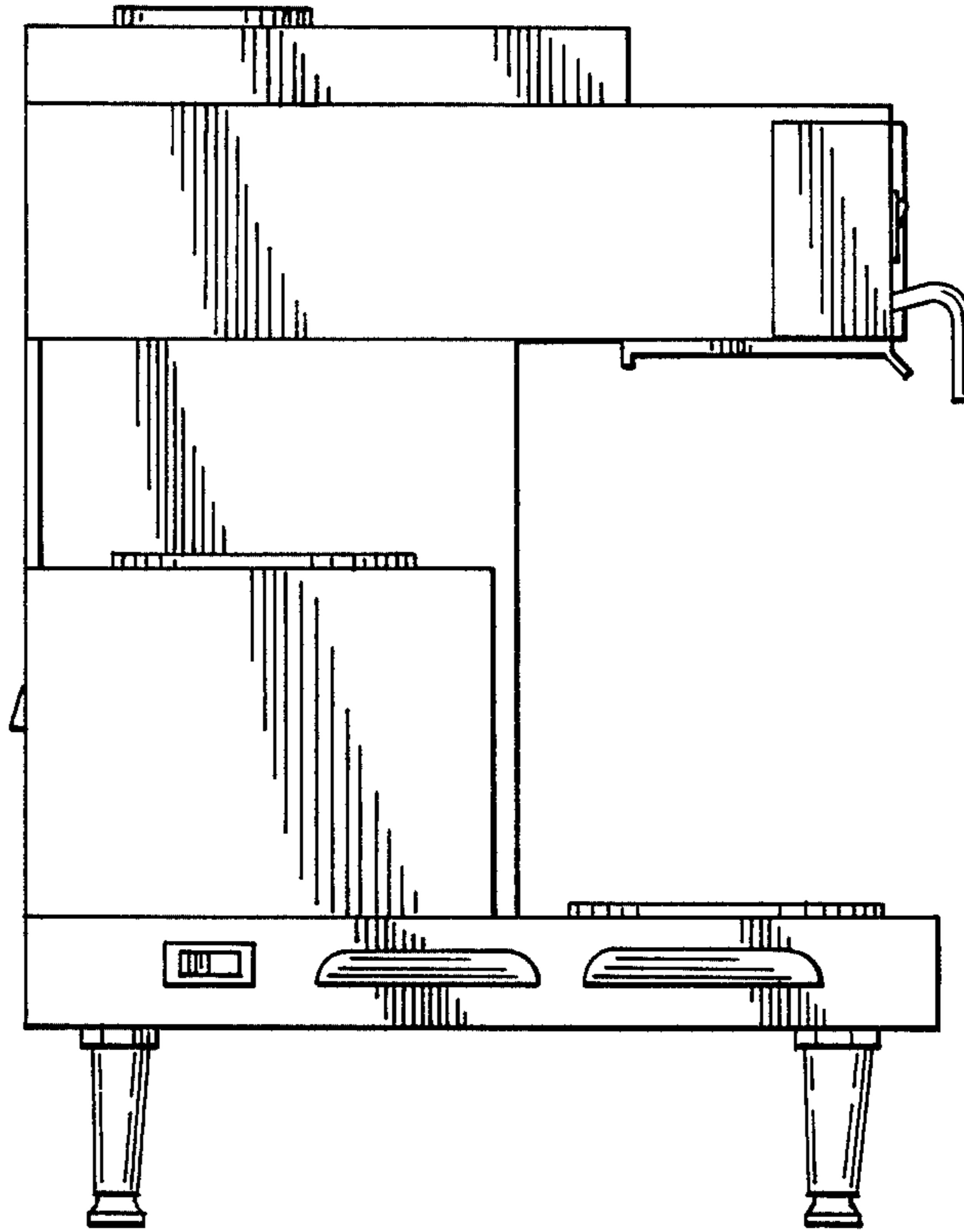


FIG. 4.

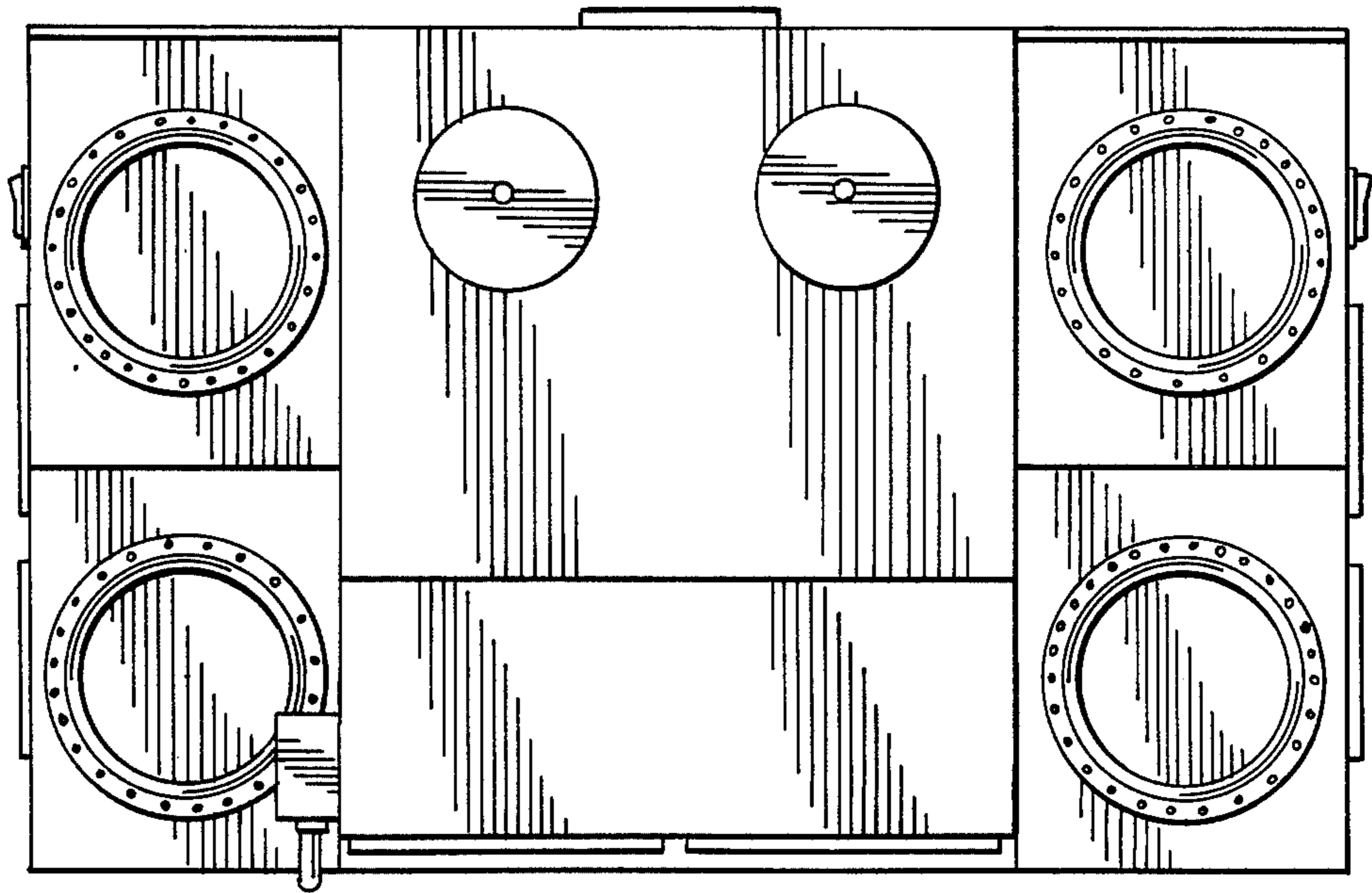


FIG-5-

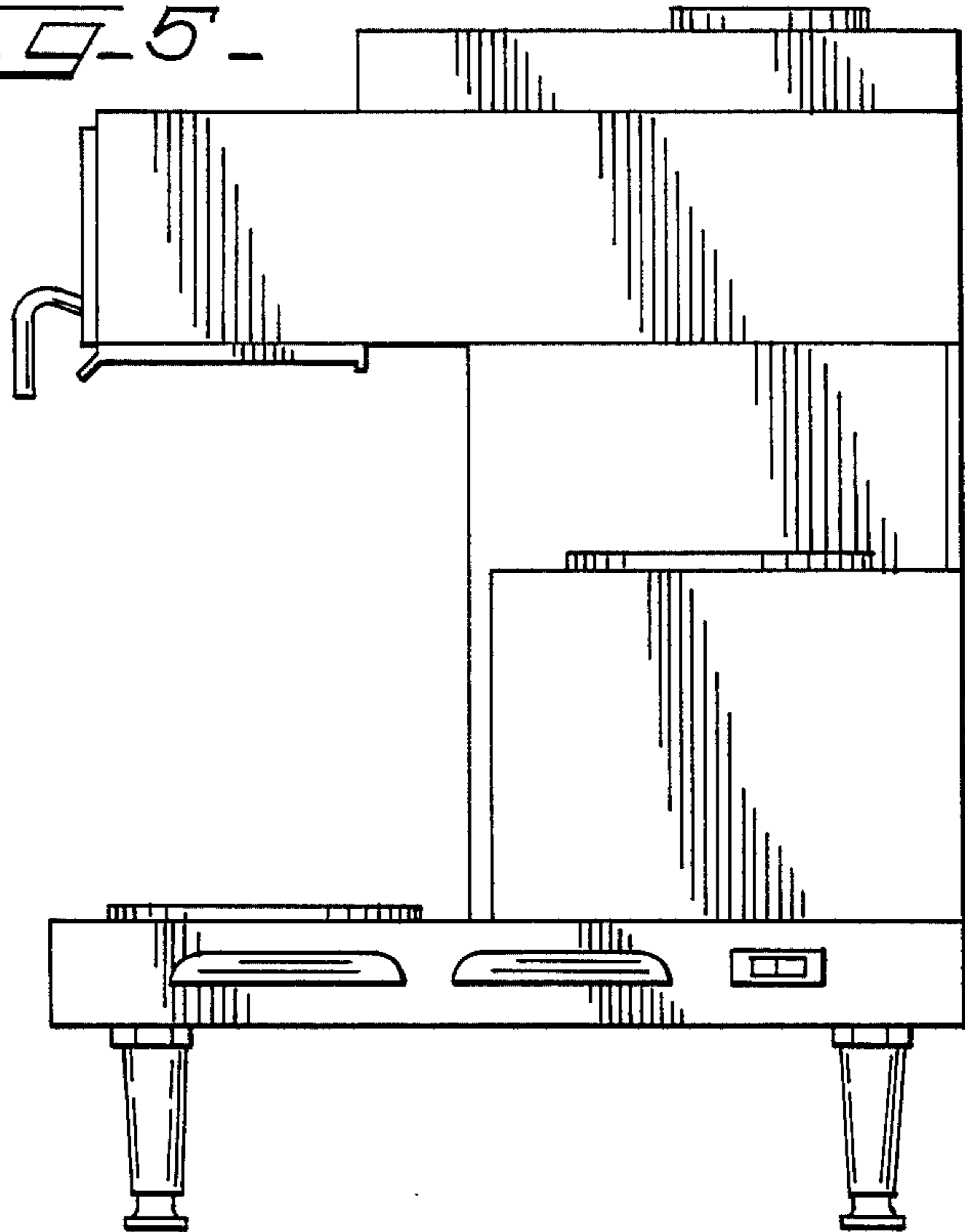


FIG-6-

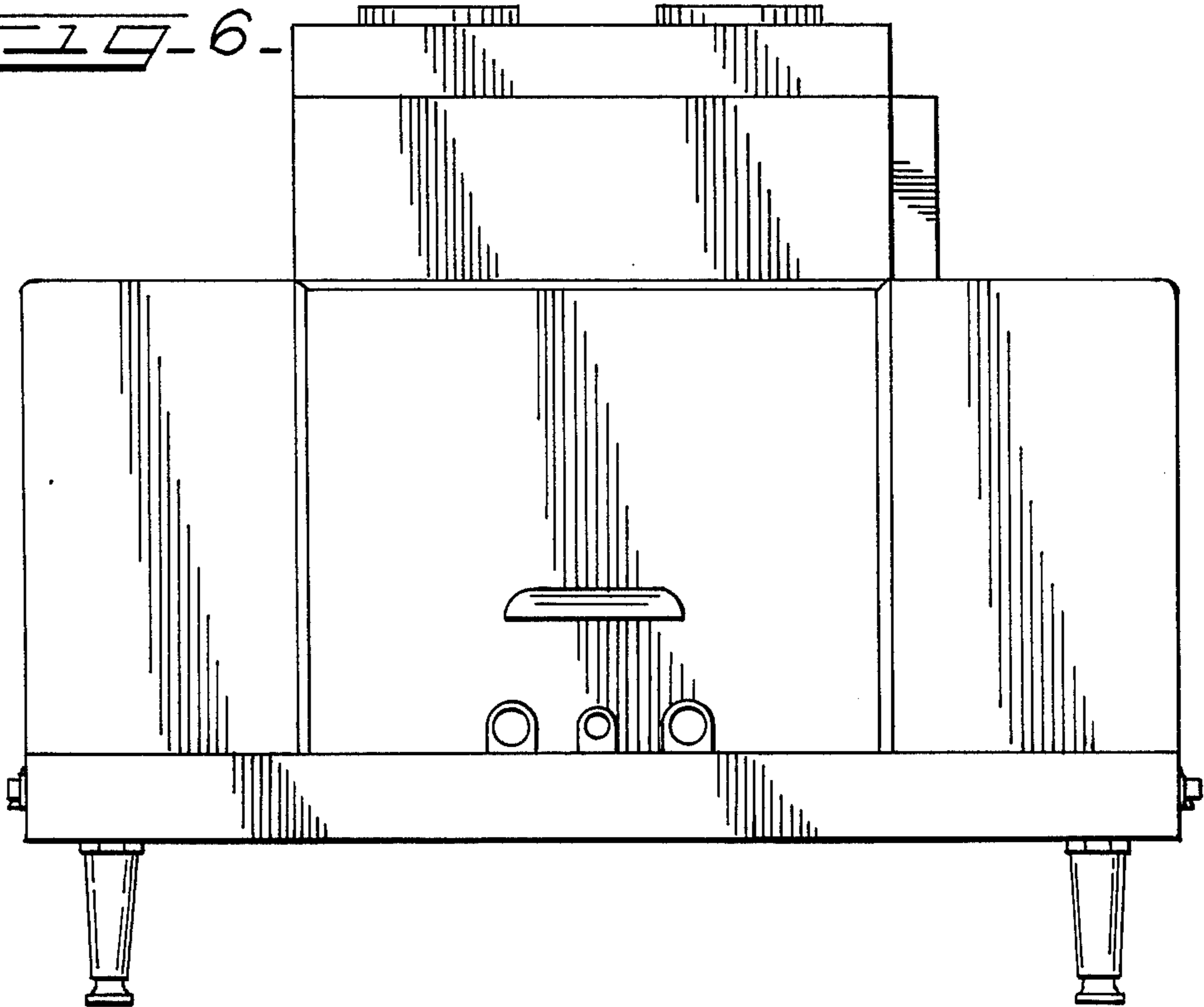


FIG. 7.

