

[54] **FOAMED CORE FOR A PILLOW**

4,788,728 12/1988 Lake 5/434

[76] **Inventor: Larrison C. Goodman, 11924 High Valley, Dallas, Tex. 75234**

Primary Examiner—Bruce W. Dunkins
Assistant Examiner—Janice Seeger

[**] **Term: 14 Years**

[57] **CLAIM**

[21] **Appl. No.: 5,572**

The ornamental design for a foamed core for a pillow, as shown and described.

[22] **Filed: Jan. 20, 1987**

[52] **U.S. Cl. D6/601; D6/502**

DESCRIPTION

[58] **Field of Search D6/595, 596, 601, 502; D24/64; 5/434, 436, 481; 297/DIG. 1**

FIG. 1 is a perspective view of the foamed core for a pillow showing my new design;

[56] **References Cited**

FIG. 2 is an end elevational view, the opposite end being a mirror image thereof;

U.S. PATENT DOCUMENTS

FIG. 3 is a front elevational view, the opposite side being a mirror image thereof;

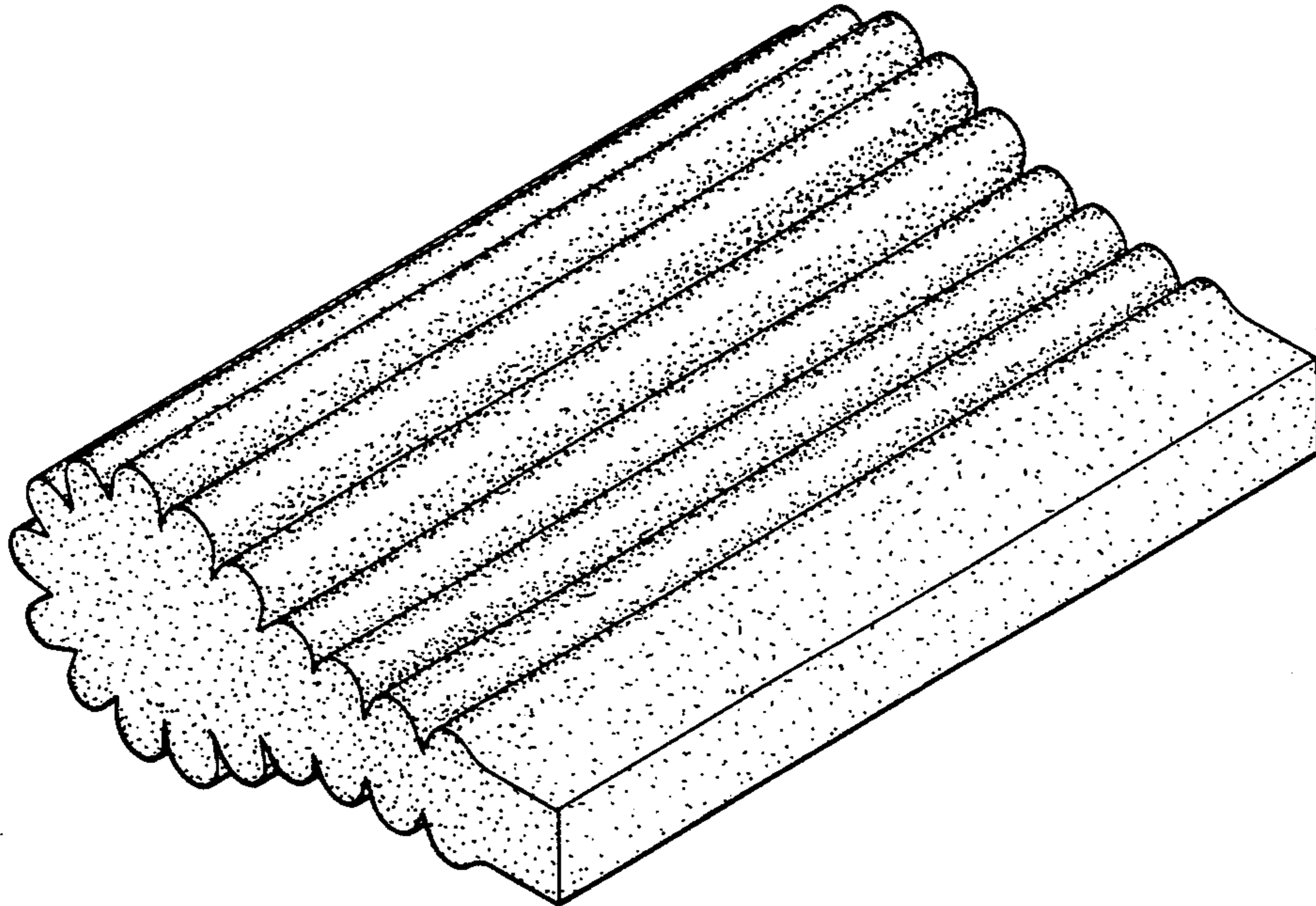
D. 203,251 12/1965 Barber D6/601

FIG. 4 is a top plan view thereof; and

D. 293,755 1/1988 Murphy D6/601

FIG. 5 is a bottom plan view thereof.

3,161,436 12/1964 Hood 297/DIG. 1



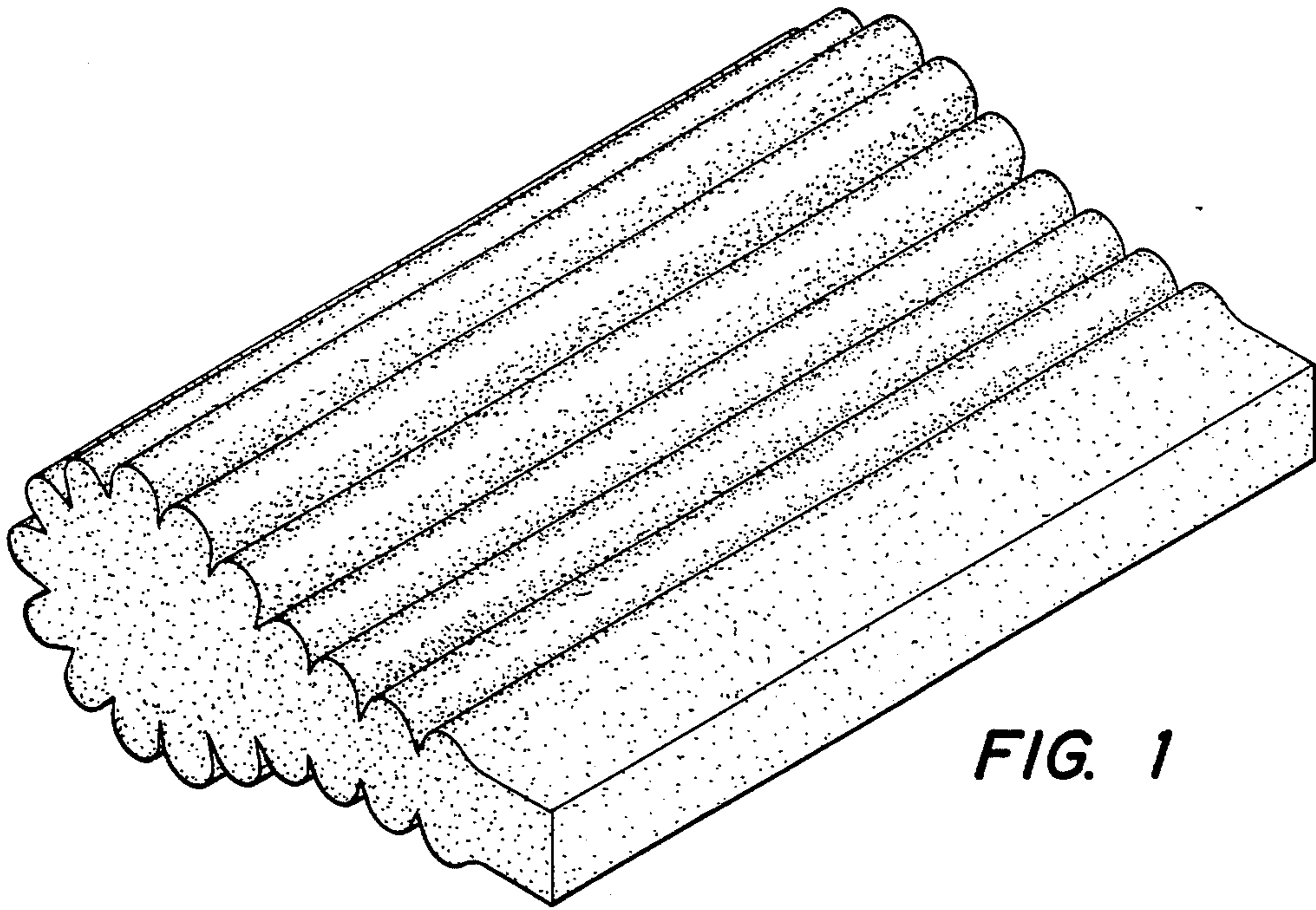


FIG. 1

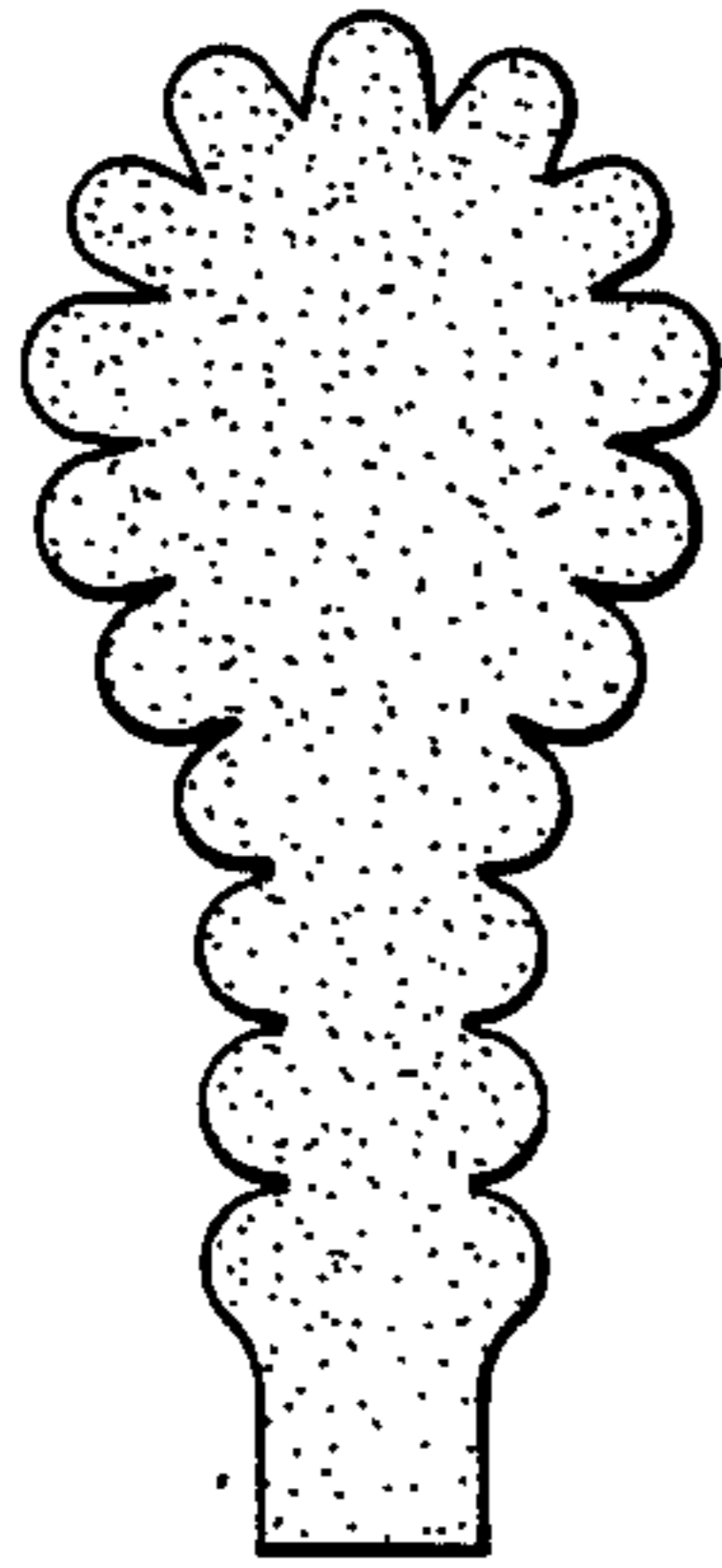


FIG. 2

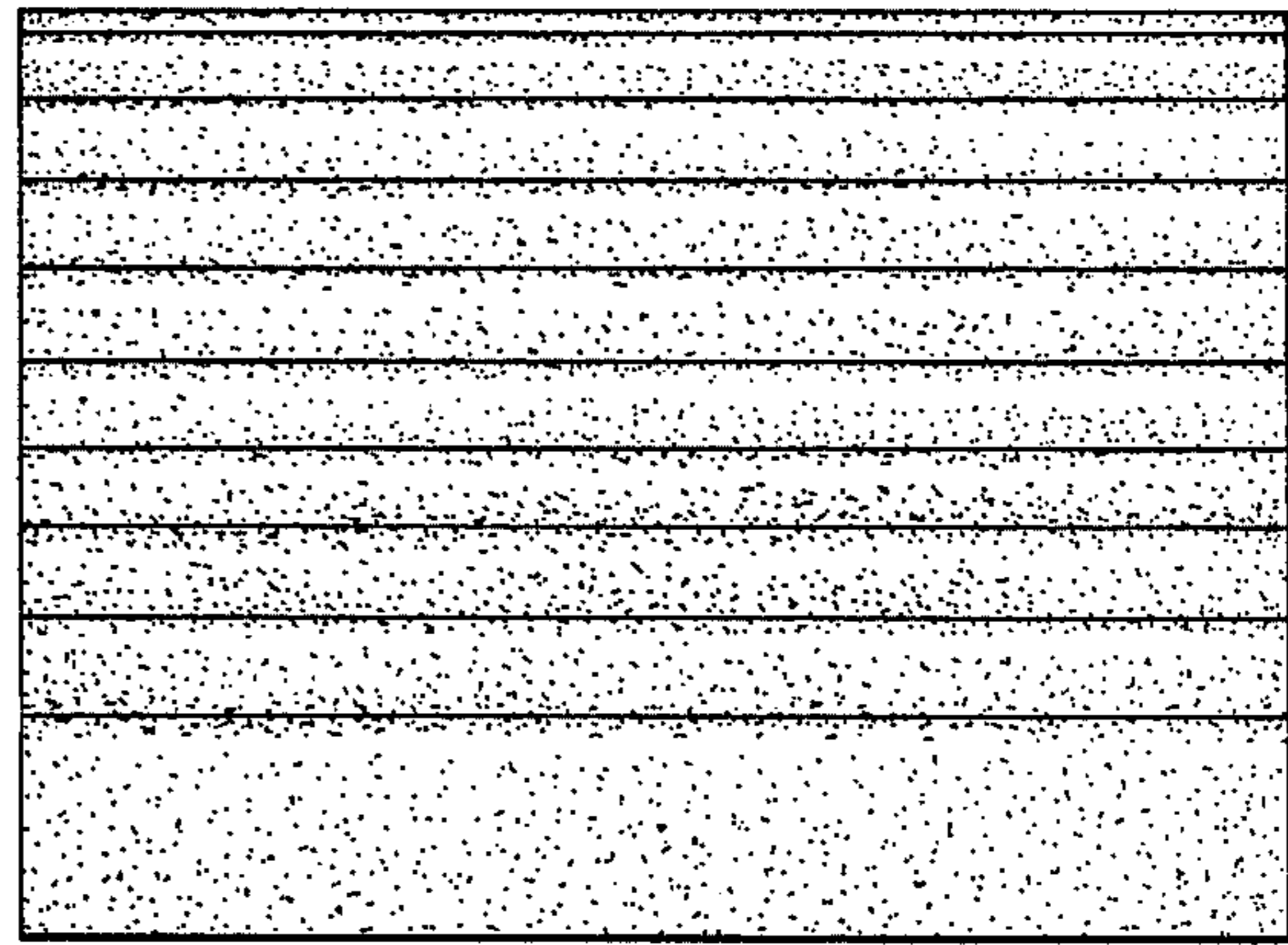


FIG. 3

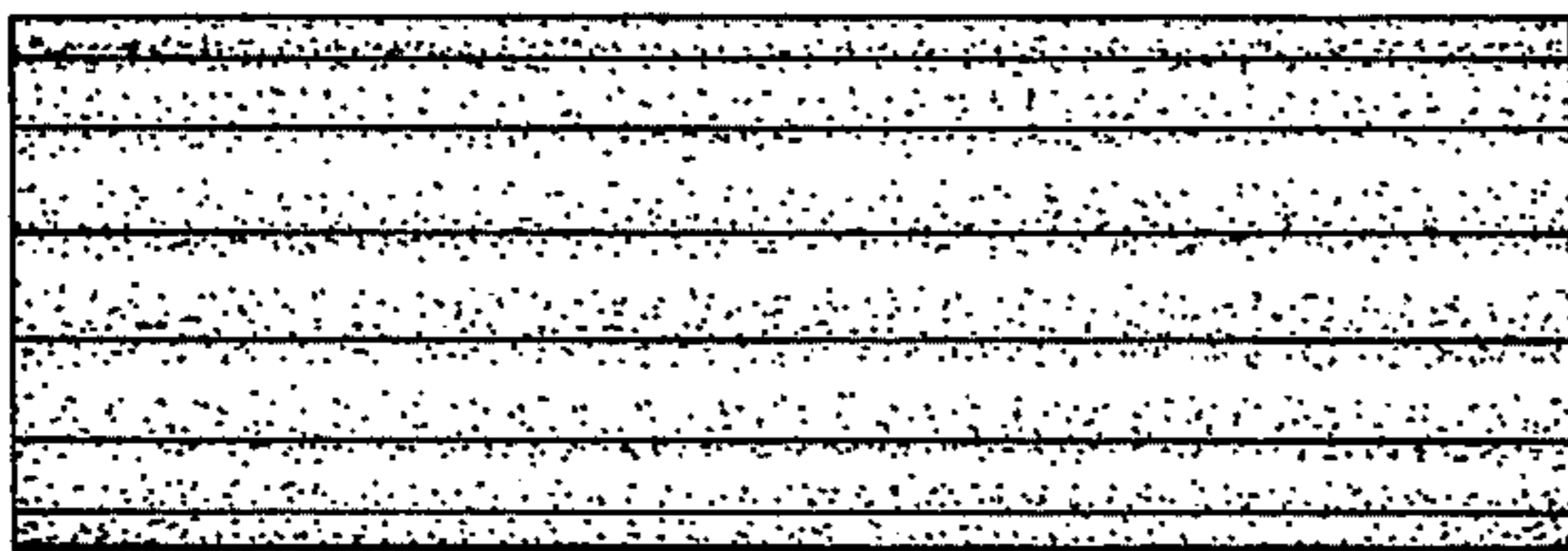


FIG. 4

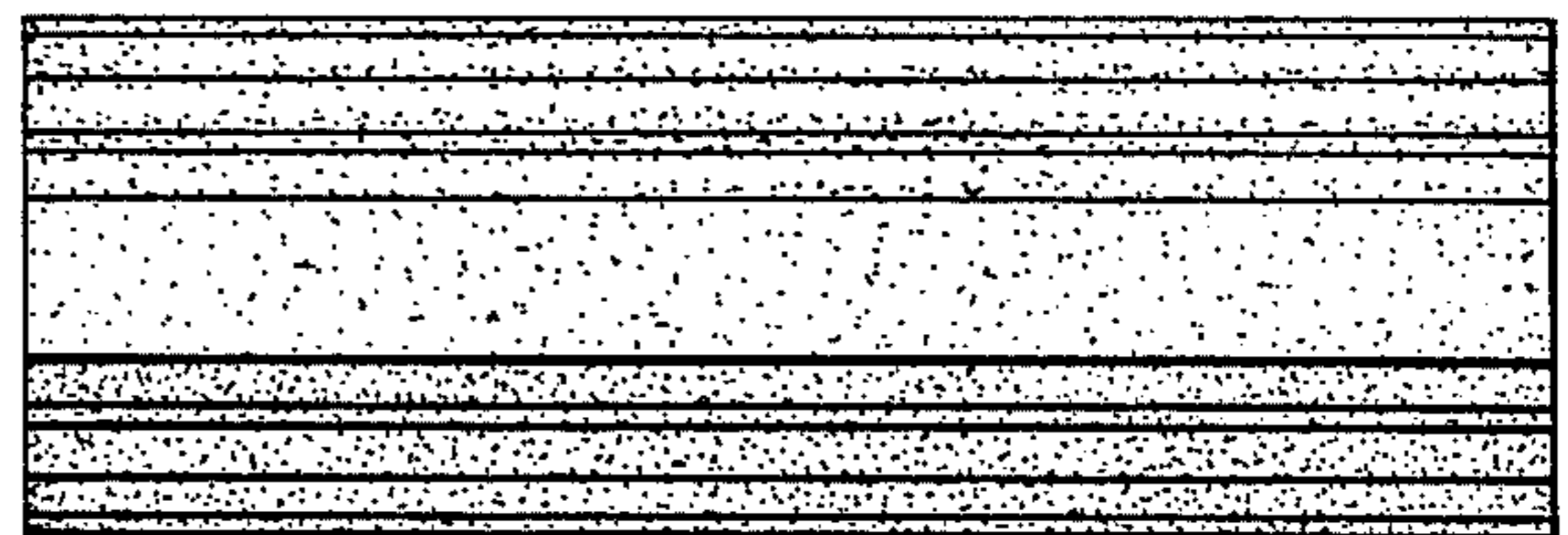


FIG. 5