

[54] **SNEEZE GUARD**

[75] **Inventors:** J. Marshall Suttles, Elberton; Harry E. Schoepf, Hartwell, both of Ga.

[73] **Assignee:** Royston Corporation, Royston, Ga.

[**] **Term:** 14 Years

[21] **Appl. No.:** 352,821

[22] **Filed:** May 16, 1989

Related U.S. Application Data

[62] Division of Ser. No. 851,699, Apr. 14, 1986, Pat. No. Des. 302,221.

[52] **U.S. Cl.** **D6/491**

[58] **Field of Search** D6/481, 491, 492, 509; D7/213, 337, 350; 312/140.1, 140.2; 99/645

References Cited

U.S. PATENT DOCUMENTS

D. 193,047	6/1962	Swift	D6/509
D. 282,612	2/1986	Moore, Jr.	D6/481
D. 300,591	4/1989	Marchais	D6/481
3,162,495	12/1964	Swift	312/140.1 X
4,208,972	6/1980	Arend et al. .	

OTHER PUBLICATIONS

Restaurants and Institutions Magazine, Nov. 21, 1984, p. 50, Food Bar Sneeze Guard top left hand of page.
 Foodservice Equipment Specialist, vol. 36, #8, Dec., 1983, Edition, p. 2, Food Bar Sneeze Guard, center bottom.
 Foodservice Equipment Specialist, vol. 36, #11, Mar. 1984, edition, p. 28, Sneeze Guard on Food Table top right corner of page.
 Foodservice Equipment Specialist, vol. 36, #12, Apr. , 1984 edition, p. 139, Sneeze Guard center page on Food bar.

Primary Examiner—Bruce W. Dunkins
Assistant Examiner—Janice E. Seeger
Attorney, Agent, or Firm—Howson and Howson

[57] **CLAIM**

The ornamental design for a sneeze guard, as shown and described.

DESCRIPTION

FIG. 1 is a top perspective view of the sneeze guard showing our new design; and
 FIG. 2 is a bottom perspective view thereof.

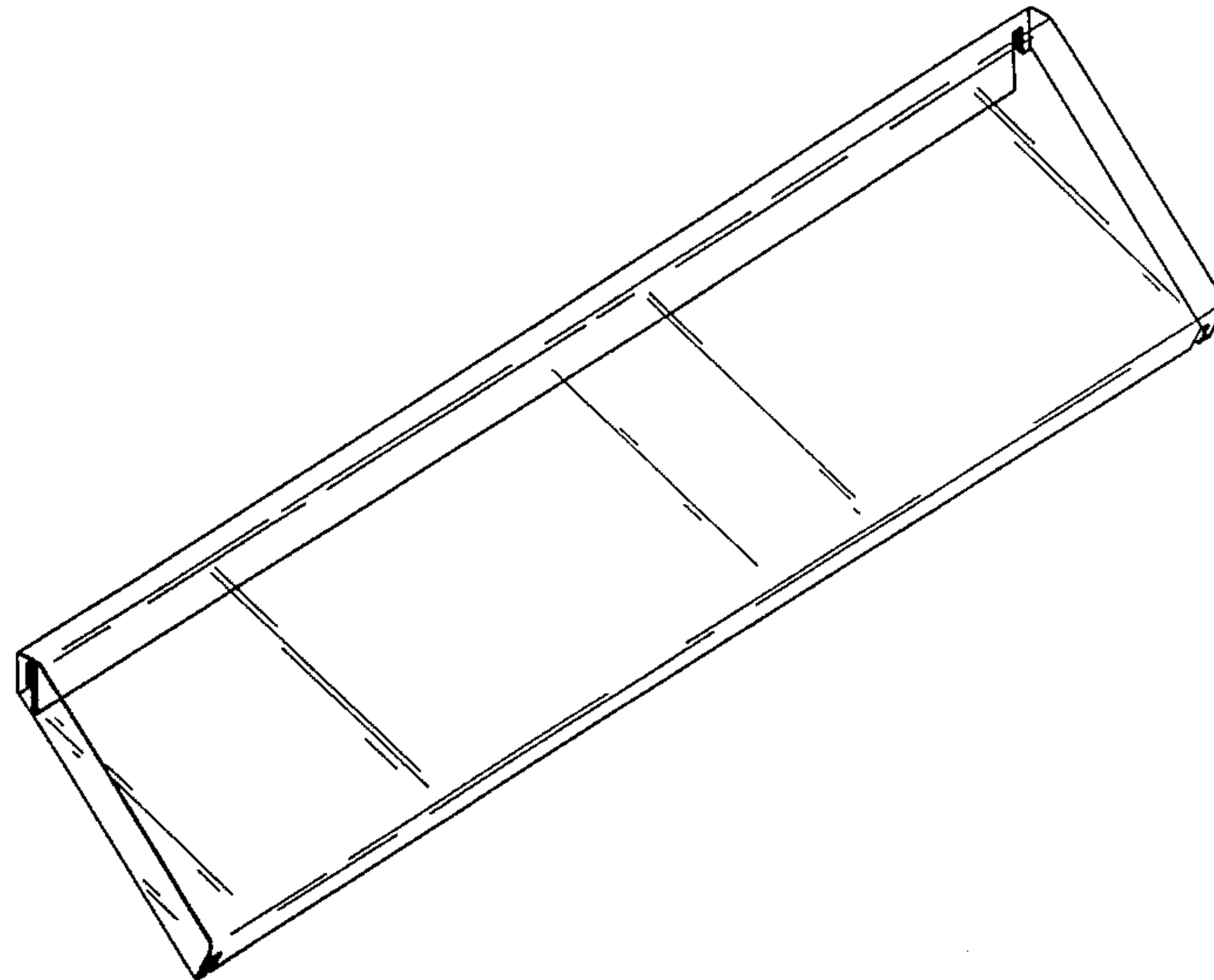


FIG. 1

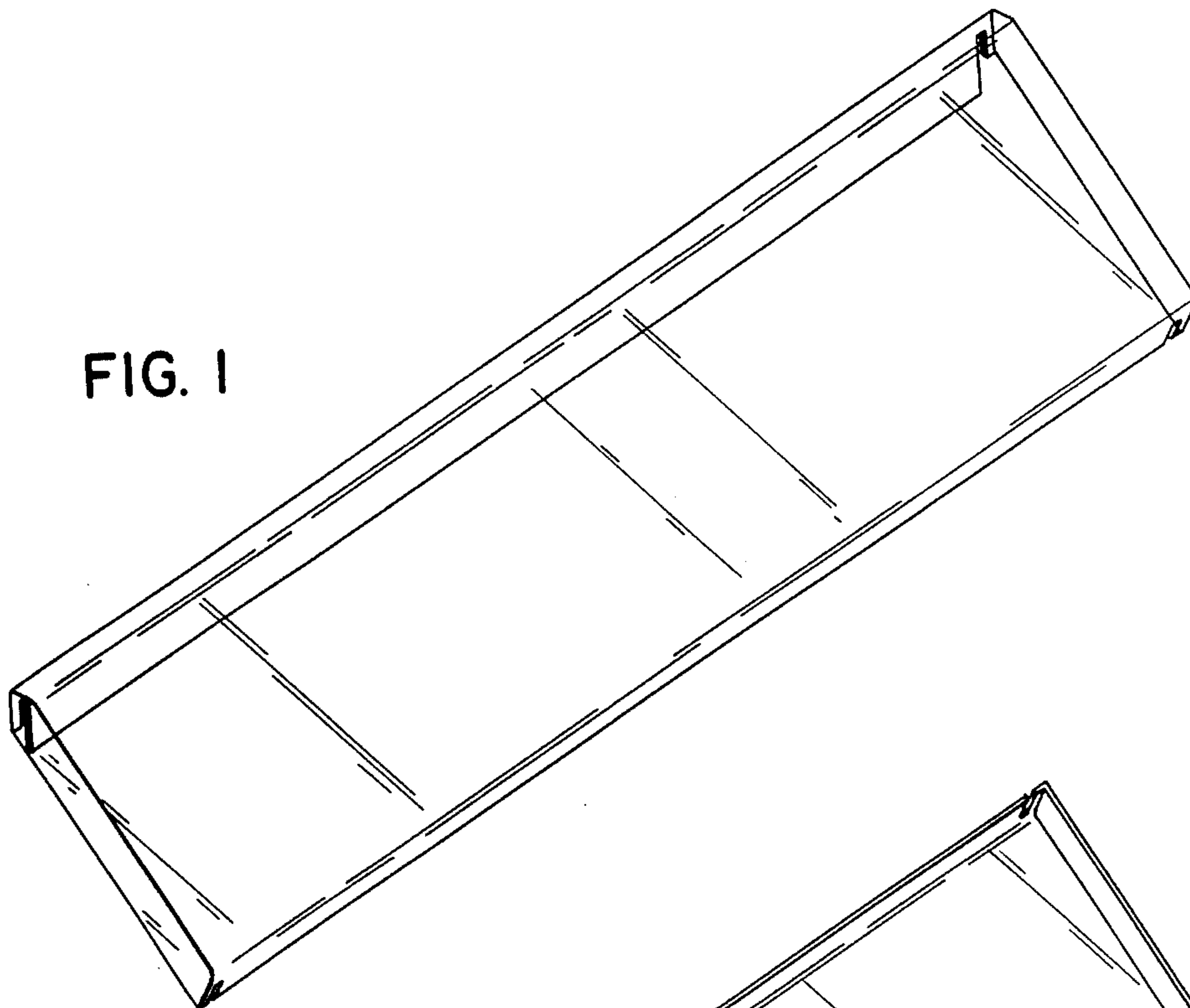


FIG. 2

