

[54] **HEADER FOR A MERCHANDISING DISPLAY STAND OR THE LIKE**

[56] **References Cited**

U.S. PATENT DOCUMENTS

D. 296,277 6/1988 Hardy D6/457

[75] **Inventors: William Prendergast, Park Ridge; John G. Dewees, Morristown, both of N.J.**

Primary Examiner—Bruce W. Dunkins
Assistant Examiner—Jeffrey Asch
Attorney, Agent, or Firm—Charles B. Smith

[73] **Assignee: Philip Morris Incorporated, New York, N.Y.**

[57] **CLAIM**

The ornamental design for a header for a merchandising display stand, as shown and described.

[**] **Term: 14 Years**

DESCRIPTION

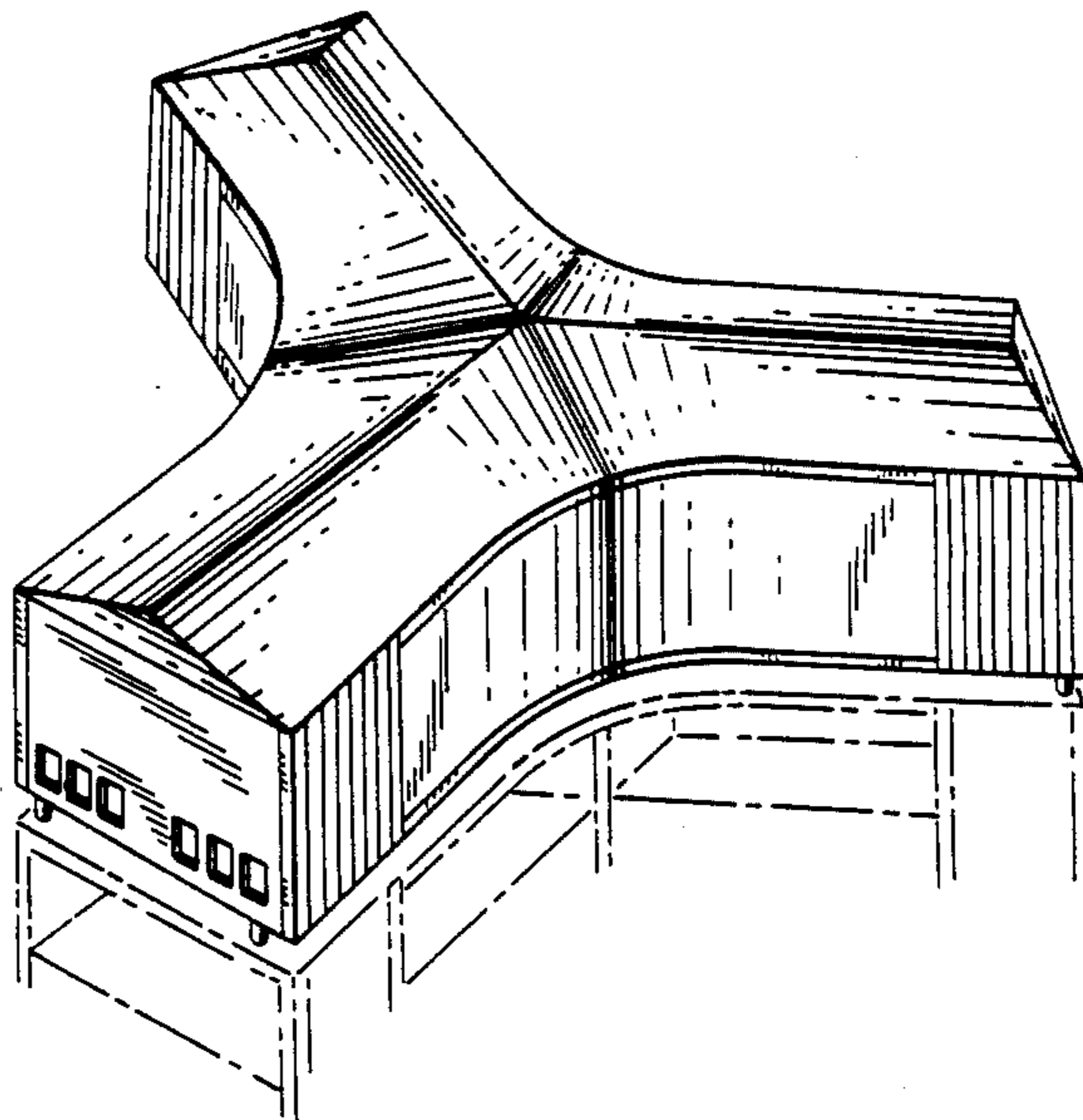
[21] **Appl. No.: 938,772**

FIG. 1 is a perspective view of a header for a merchandising display stand or the like showing my new design; the broken lines indicate environmental structure; FIG. 2 is a bottom plan view thereof; FIG. 3 is a top plan view thereof; FIG. 4 is a side elevational view thereof; and FIG. 5 is a front elevational view thereof.

[22] **Filed: Dec. 5, 1986**

[52] **U.S. Cl. D6/455; D6/457**

[58] **Field of Search D6/455, 457, 458, 459, D6/460, 461, 491; 211/42, 13**



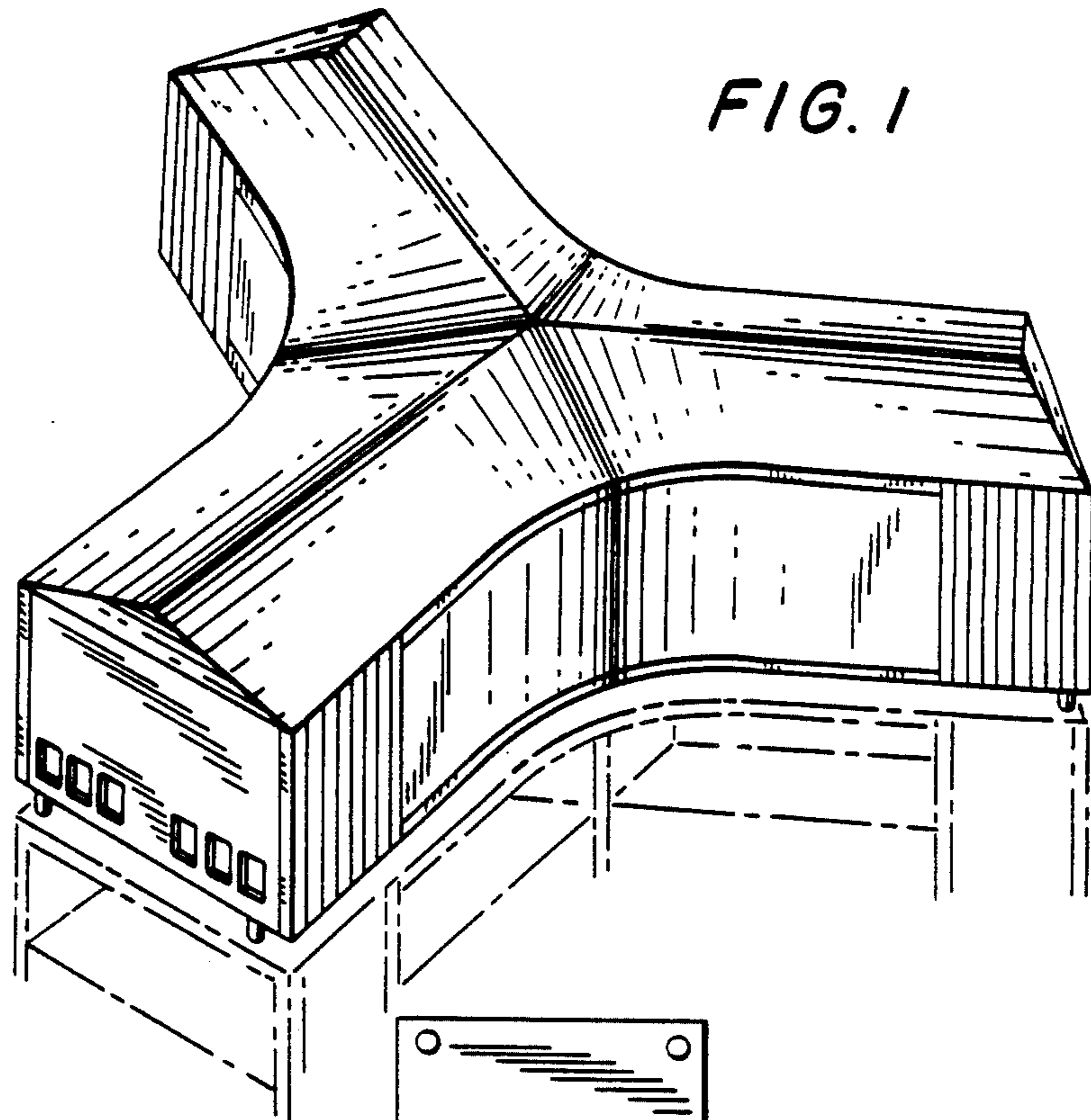


FIG. 1

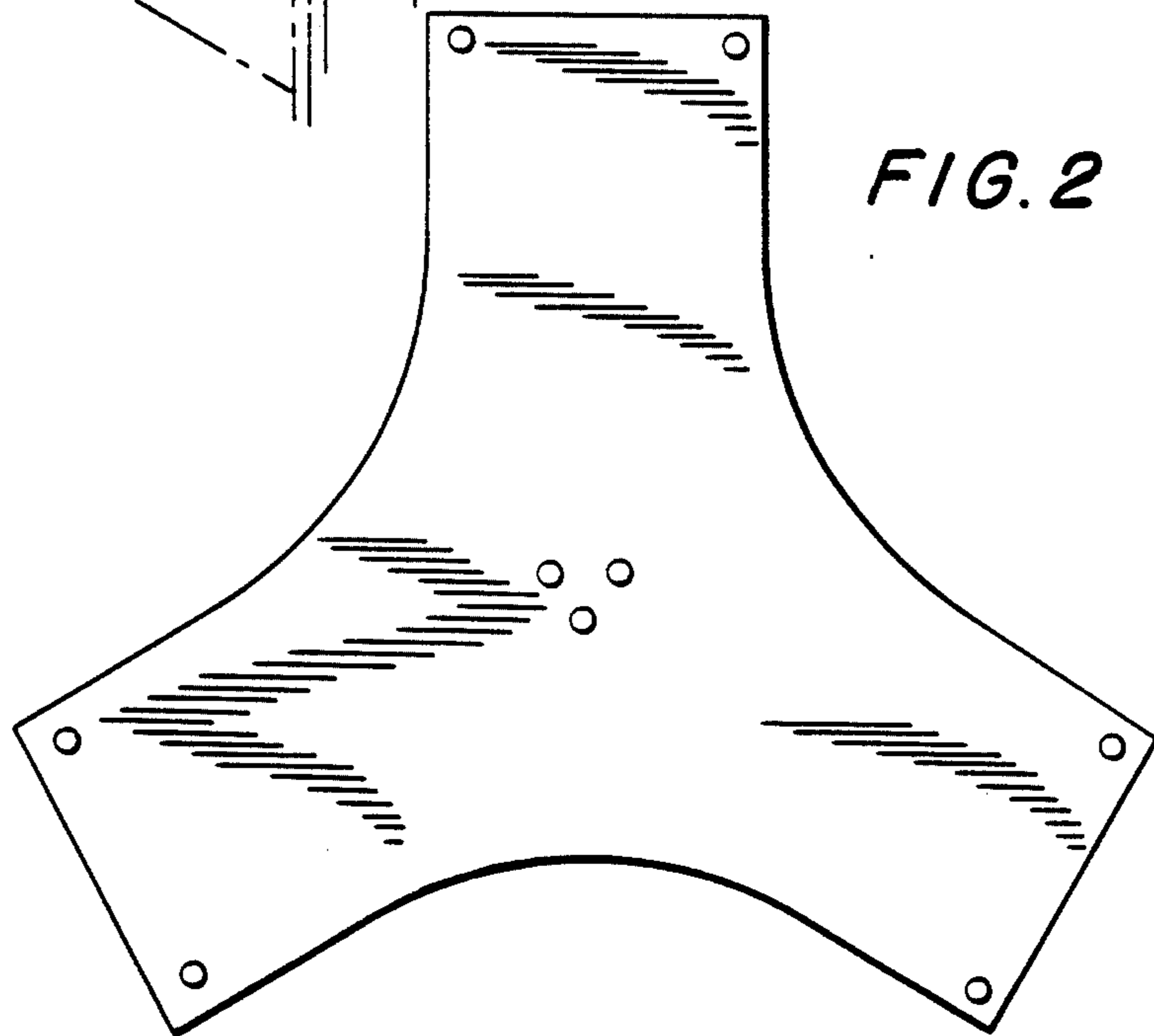


FIG. 2

FIG. 3

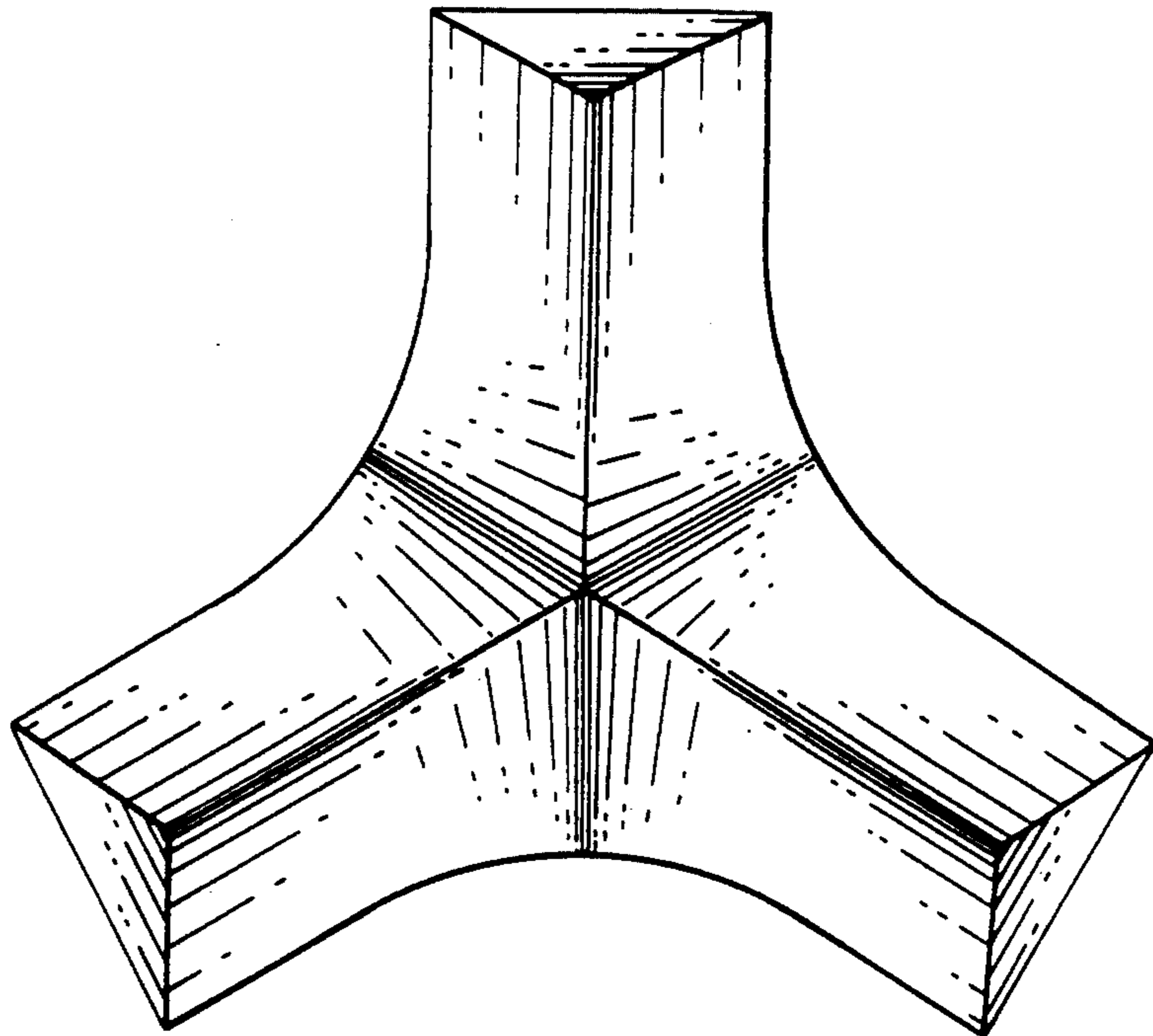


FIG. 4

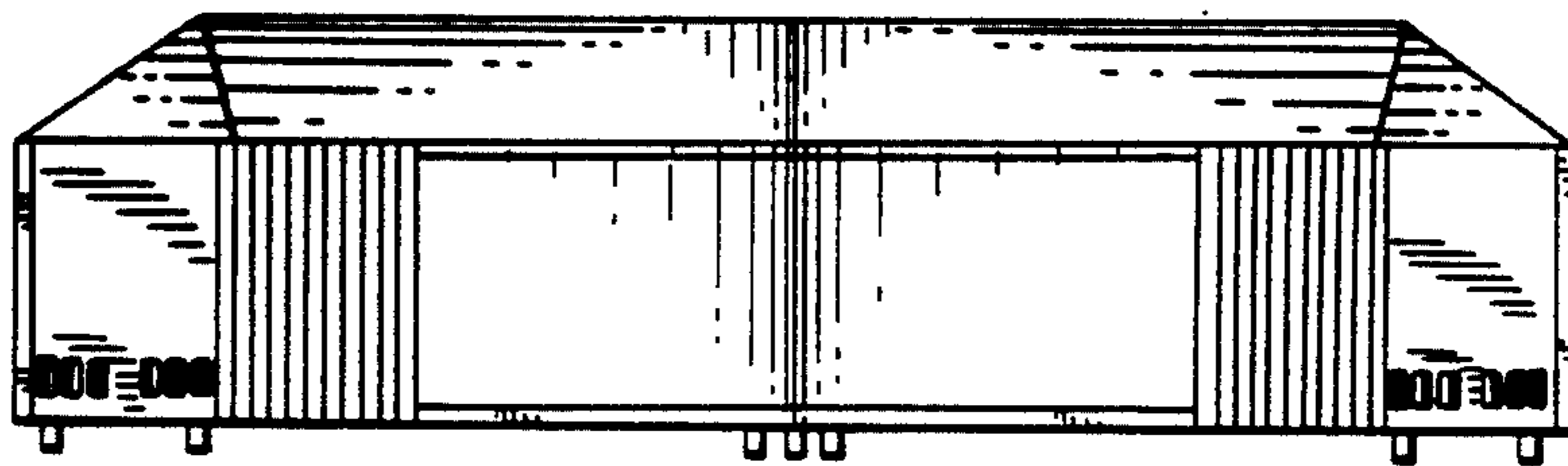


FIG. 5

