

United States Patent [19]

Landi

[11] Patent Number: **Des. 309,537**

[45] Date of Patent: **** Jul. 31, 1990**

[54] **DISPLAY STAND**

[75] Inventor: **Arthur E. Landi, Greenwich, Conn.**

[73] Assignee: **Display Producers, Inc., Bronx, N.Y.**

[**] Term: **14 Years**

[21] Appl. No.: **117,144**

[22] Filed: **Nov. 4, 1987**

[52] U.S. Cl. **D6/461**

[58] Field of Search **D6/460, 461, 455, 449, D6/466, 467, 468, 457; 211/13, 129, 49.1**

[56] **References Cited**

U.S. PATENT DOCUMENTS

D. 100,288 7/1936 Roach **D6/450**

D. 300,395 3/1989 Emery, Jr. **D6/474**
1,889,829 12/1932 Govier et al. **211/13 X**
4,690,287 9/1987 Fershko et al. **211/49.1**

Primary Examiner—Bruce W. Dunkins
Assistant Examiner—Jeffrey Asch
Attorney, Agent, or Firm—Bauer & Schaffer

[57] **CLAIM**

The ornamental design for a display stand, as shown and described.

DESCRIPTION

FIG. 1 is a front and right side perspective view of a display stand, showing my new design, the rear and left side being identical thereto; and FIG. 2 is a top plan view thereof.

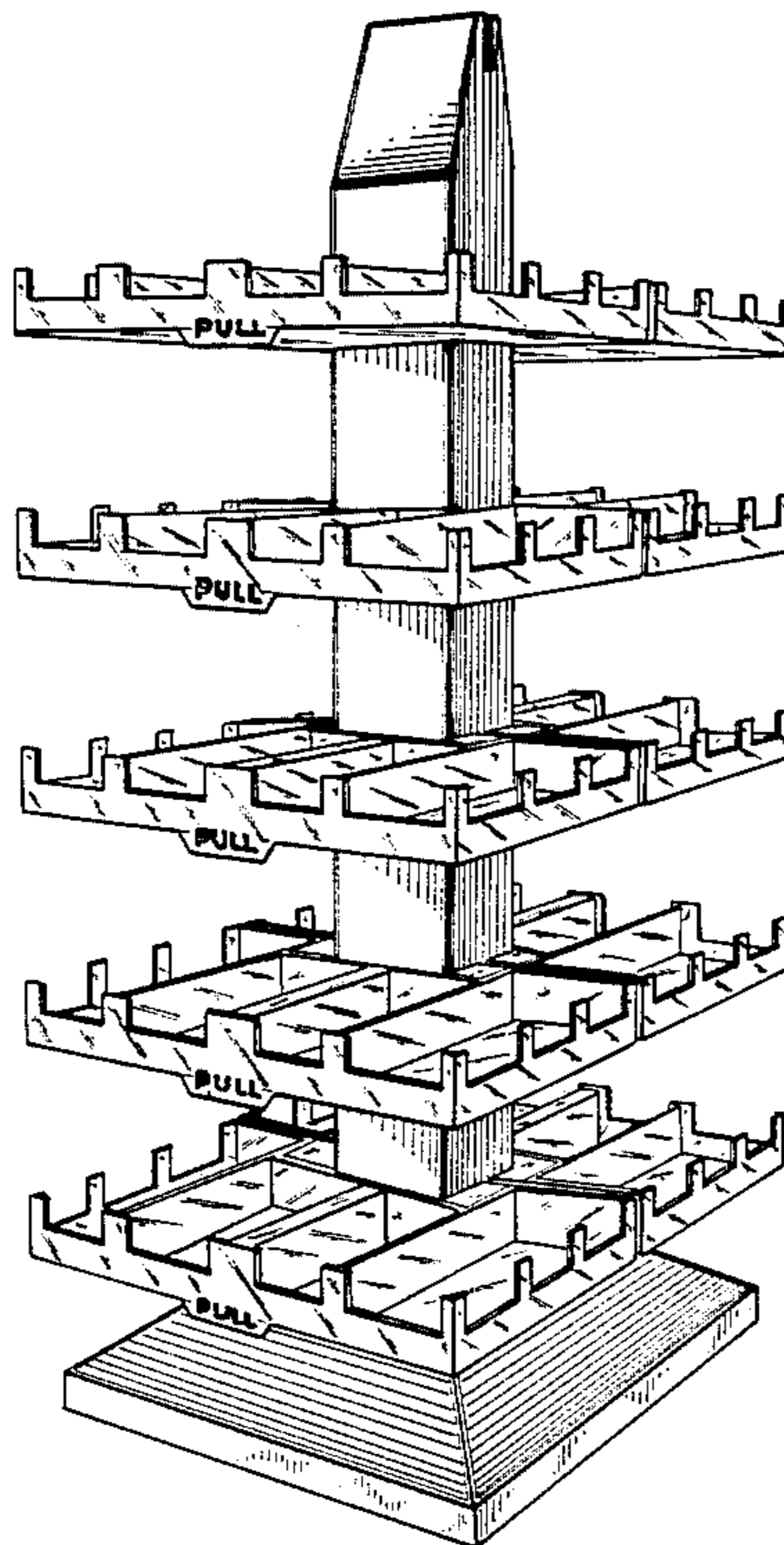


Fig. 1

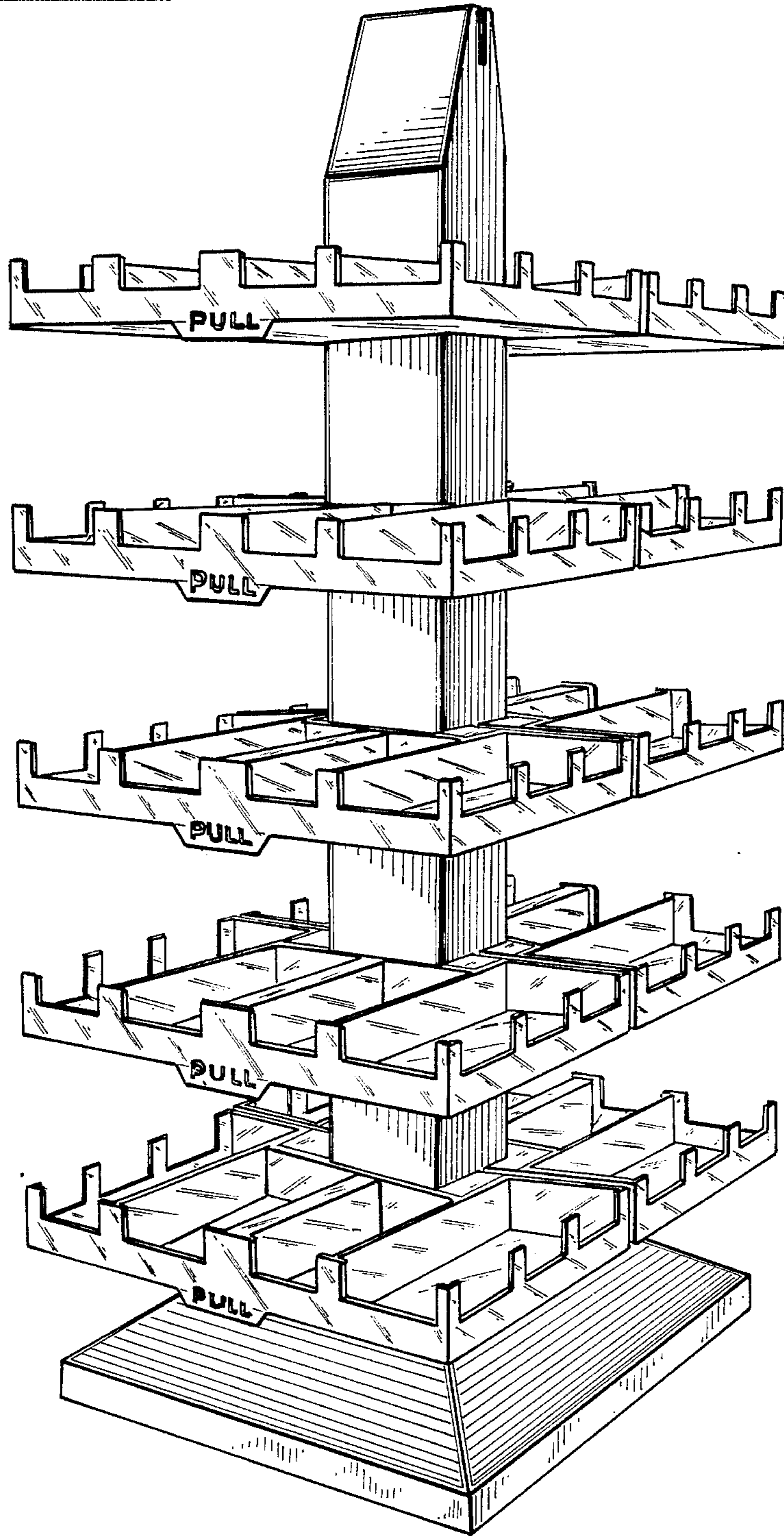


Fig. 2

