

[54] **VANITY TABLE**

[76] **Inventor:** Peter Mo Yau Kee, Flat 1002, Block A, 10th Floor, Lotto Villa, 18 Broadwood Road, Happy Valley, Hong Kong

[**] **Term:** 14 Years

[21] **Appl. No.:** 295,566

[22] **Filed:** Jan. 10, 1989

[52] **U.S. Cl.** D6/397; D6/444

[58] **Field of Search** D6/444, 474, 477, 478, D6/479, 480, 397; 312/223

[56] **References Cited**

U.S. PATENT DOCUMENTS

D. 73,611	10/1927	Katz	D6/399
D. 91,113	11/1933	Guild	D6/399
D. 260,210	8/1981	Gibson	D6/399
D. 302,217	7/1989	Keller	D6/397

OTHER PUBLICATIONS

Best ©1986 p. 216; "Lee/Rowan Vanity Table" Item #1, top left on page.

Best ©1986 p. 216; "Contempo Brss-Plated Vanity Table", Item #6 top right on page.

W. Bell & Co. 198 ©1986 p. 178; "Classic Vanity" Item #3 center of page.

Primary Examiner—Carmen H. Vales-Lado

Attorney, Agent, or Firm—Rhodes, Coats & Bennett

[57] **CLAIM**

The ornamental design for a vanity table, as shown and described.

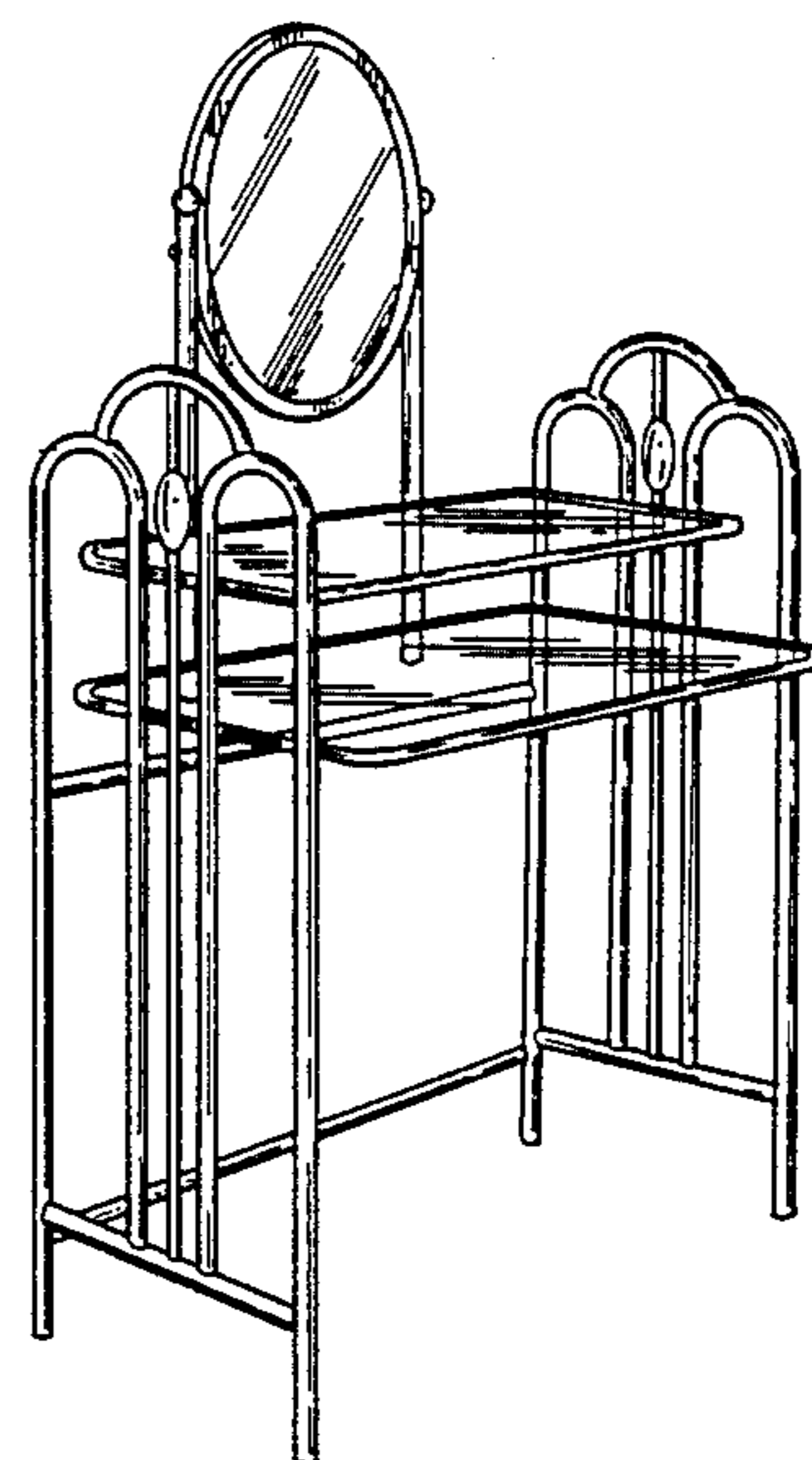
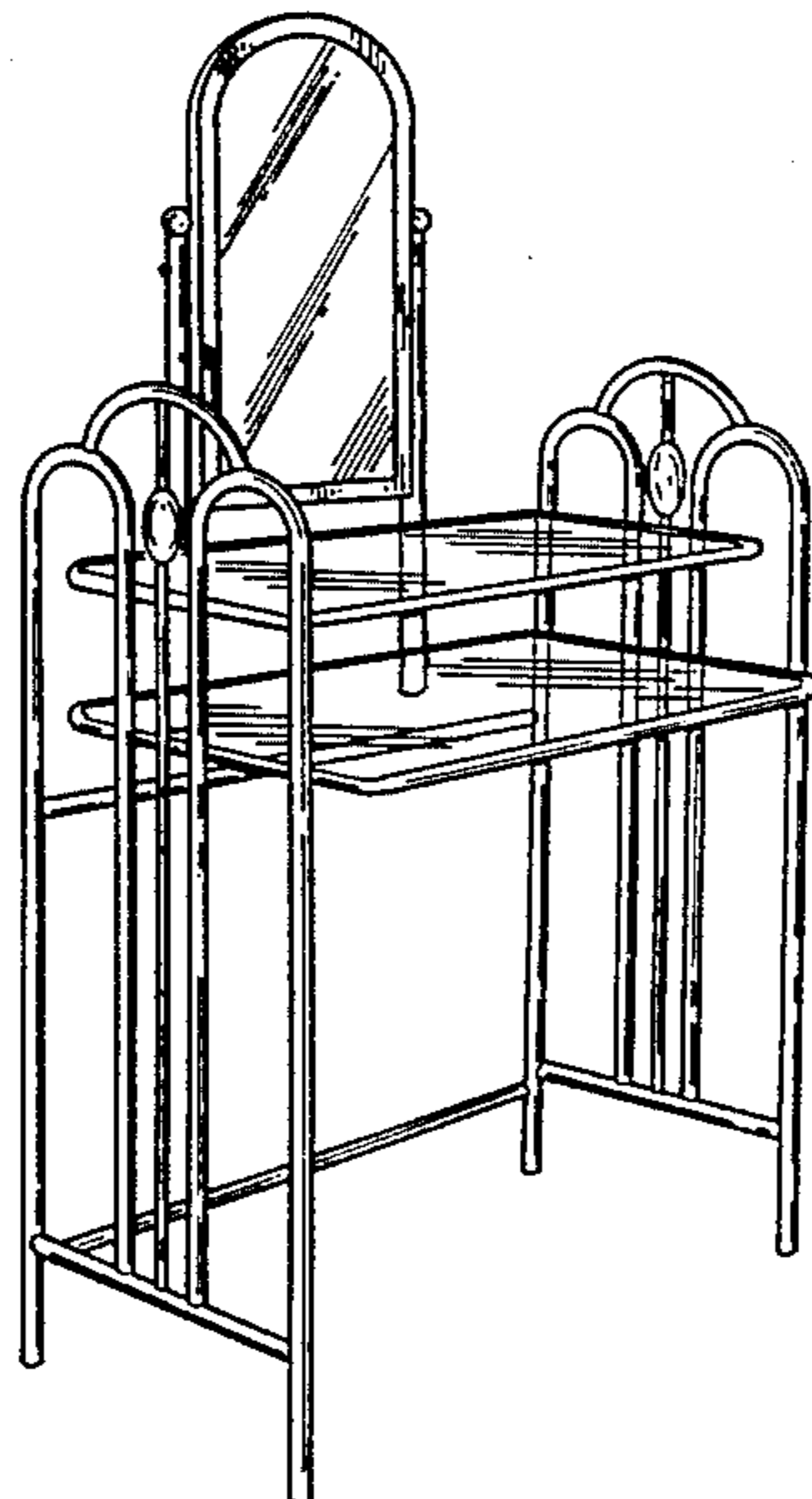
DESCRIPTION

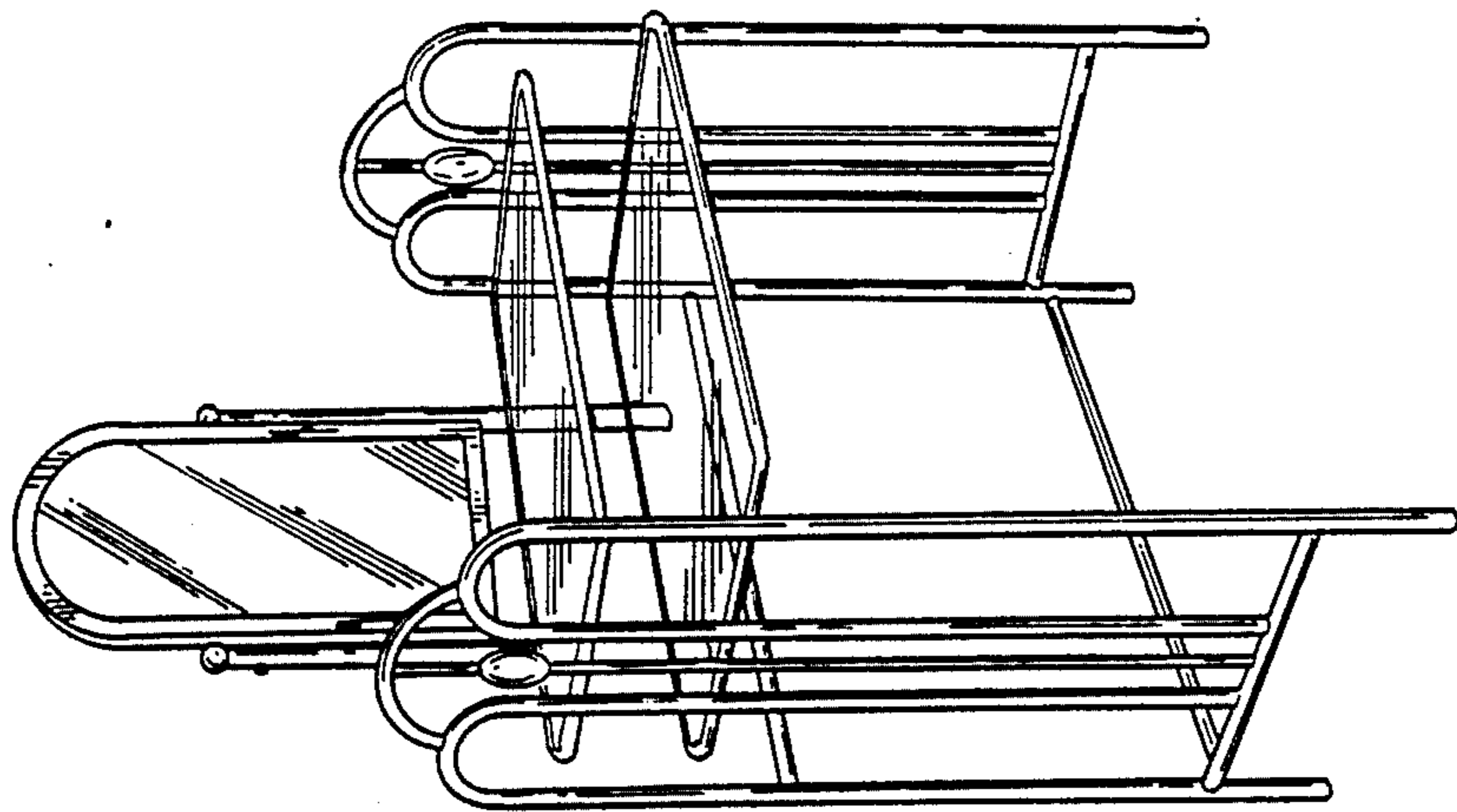
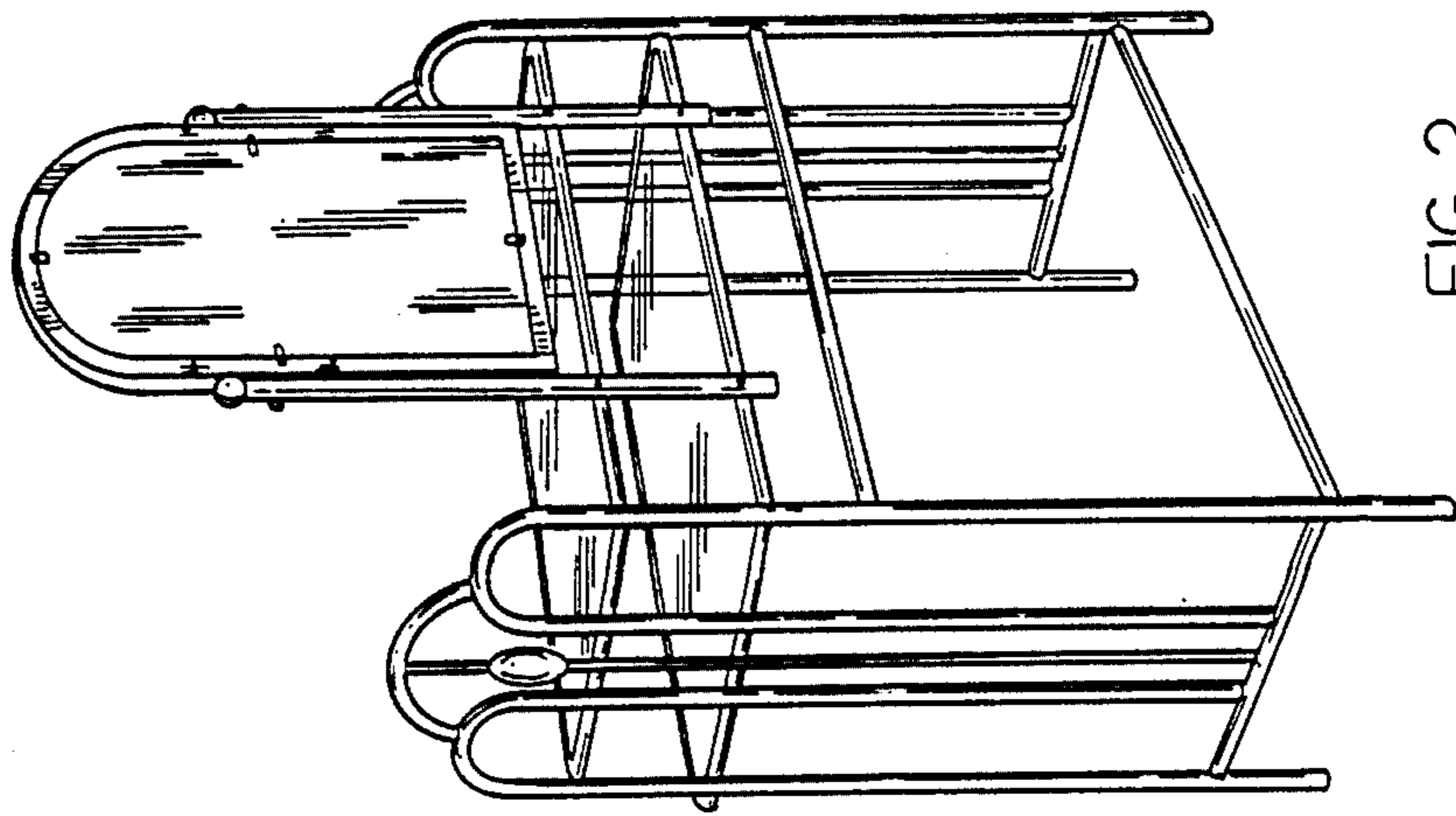
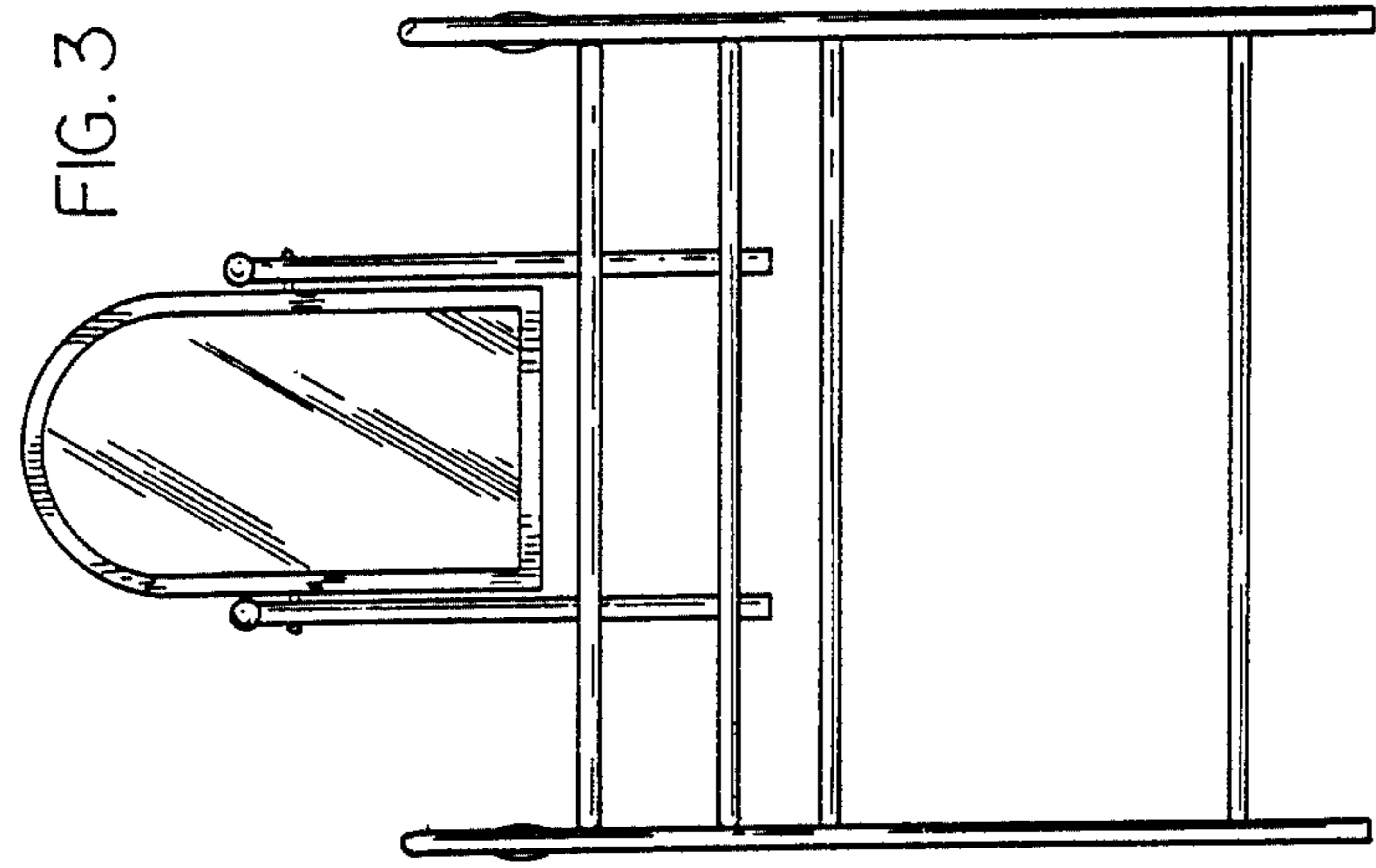
FIG. 1 is a perspective view of a vanity table showing my new design;

FIG. 2 is a rear perspective view thereof;

FIG. 3 is a front elevational view thereof; and

FIG. 4 is a modified form of the vanity table shown in FIG. 1.





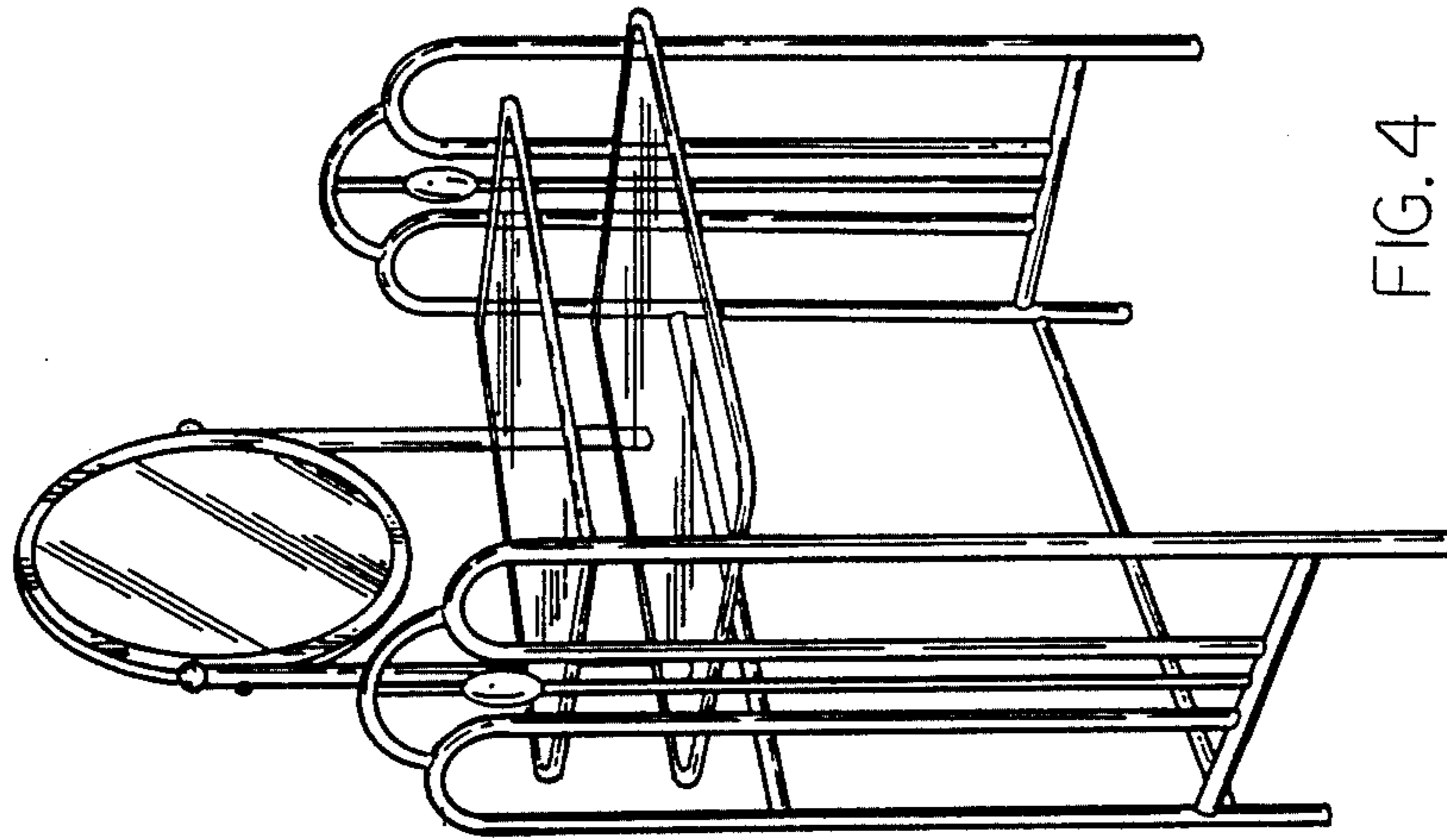


FIG. 4