

United States Patent [19]

Dozsa-Farkas

[11] Patent Number: **Des. 309,534**

[45] Date of Patent: **** Jul. 31, 1990**

[54] **CHAIR**

[75] Inventor: **Andras Dozsa-Farkas**, Miiichen, Fed. Rep. of Germany

[73] Assignee: **Giroflex Entwicklungs AG**, Koblenz, Switzerland

[*] Notice: The portion of the term of this patent subsequent to Jul. 31, 2003 has been disclaimed.

[**] Term: **14 Years**

[21] Appl. No.: **32,096**

[22] Filed: **Mar. 30, 1987**

[30] **Foreign Application Priority Data**

Dec. 30, 1986 [CH] Switzerland DM/008001

[52] U.S. Cl. **D6/366**

[58] Field of Search D6/379, 371, 372, 380, D6/334, 366

[56] **References Cited**

U.S. PATENT DOCUMENTS

D. 279,947 8/1985 Ballarini D6/334

D. 282,224 1/1986 Huldt D6/375
D. 285,629 9/1986 Franck et al. D6/366
D. 286,106 10/1986 Franck et al. D6/372
D. 301,662 6/1989 Vonhausen D6/366

OTHER PUBLICATIONS

Design, Dec. 1979, p. 26, Chair, top right.
Interiors, Feb. 1985, p. 131, Chair, right center.

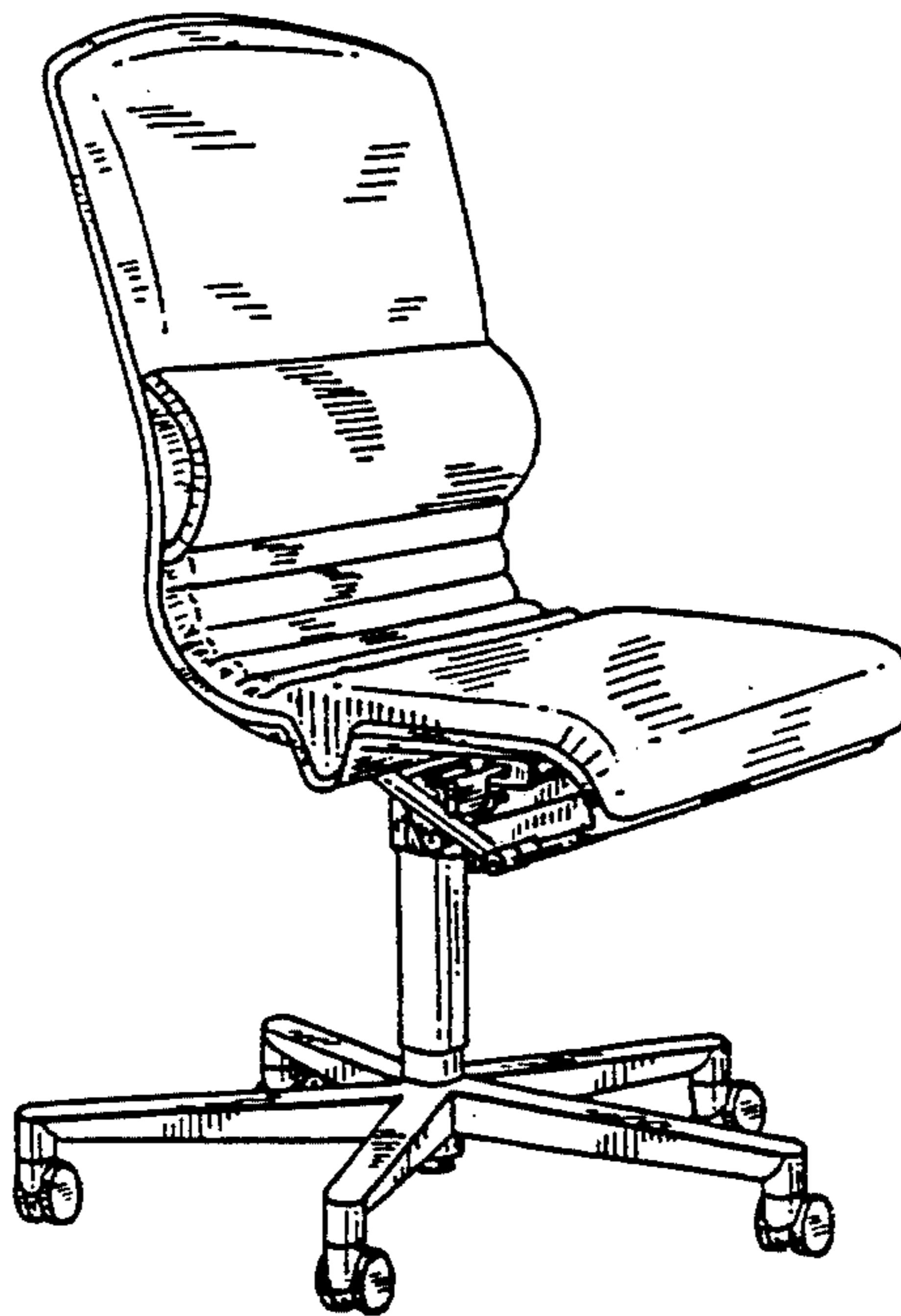
Primary Examiner—Bruce W. Dunkins
Assistant Examiner—Ann Hunt
Attorney, Agent, or Firm—Werner W. Kleeman

[57] **CLAIM**

The ornamental design for chair, as shown and described.

DESCRIPTION

FIG. 1 is a perspective view of the chair showing my new design;
FIG. 2 is a front elevational view;
FIG. 3 is a side elevational view;
FIG. 4 is the opposite side elevational view to that shown in FIG. 3;
FIG. 5 is a rear elevational view;
FIG. 6 is a top plan view; and
FIG. 7 is a bottom plan view.



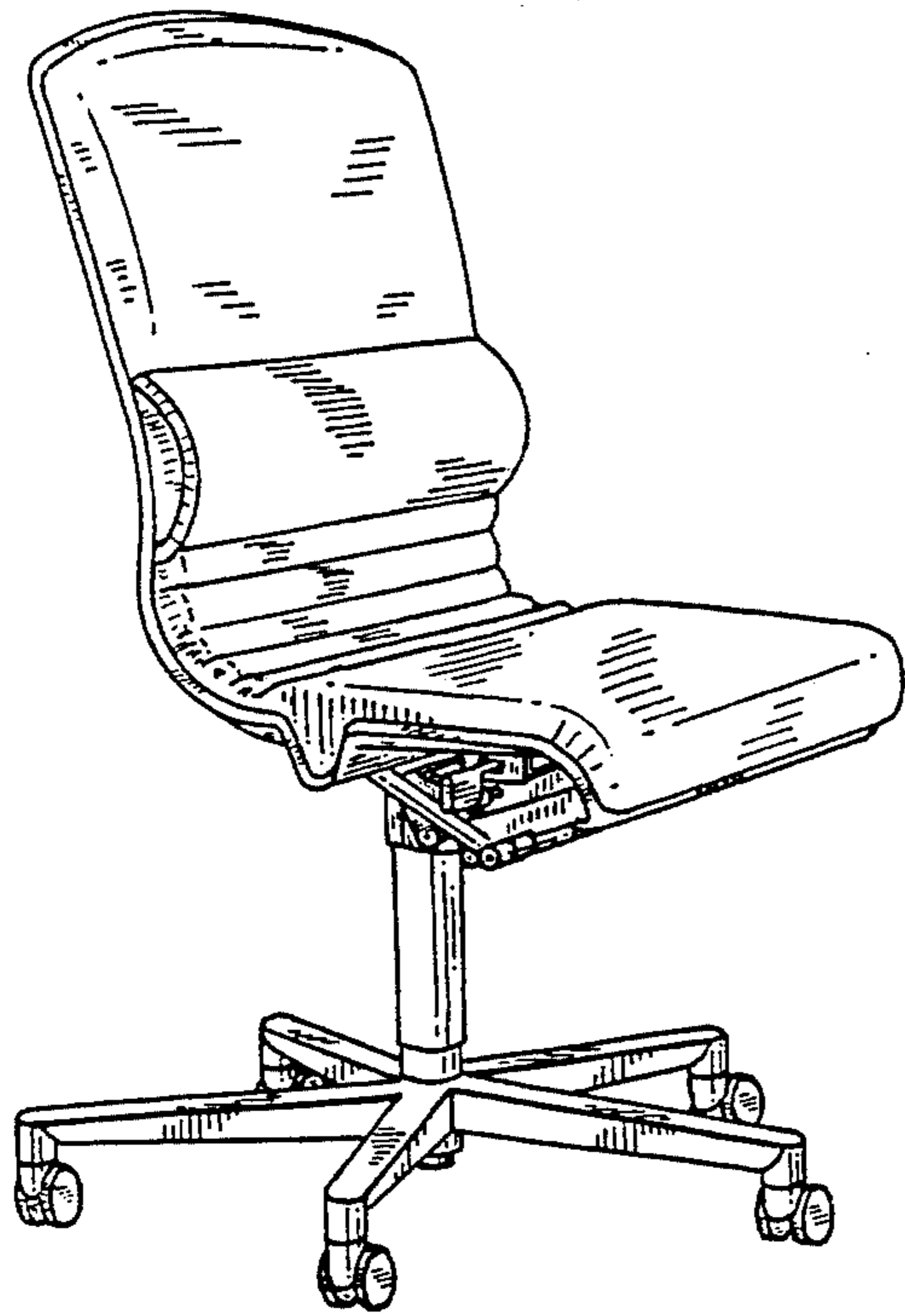


Fig. 1

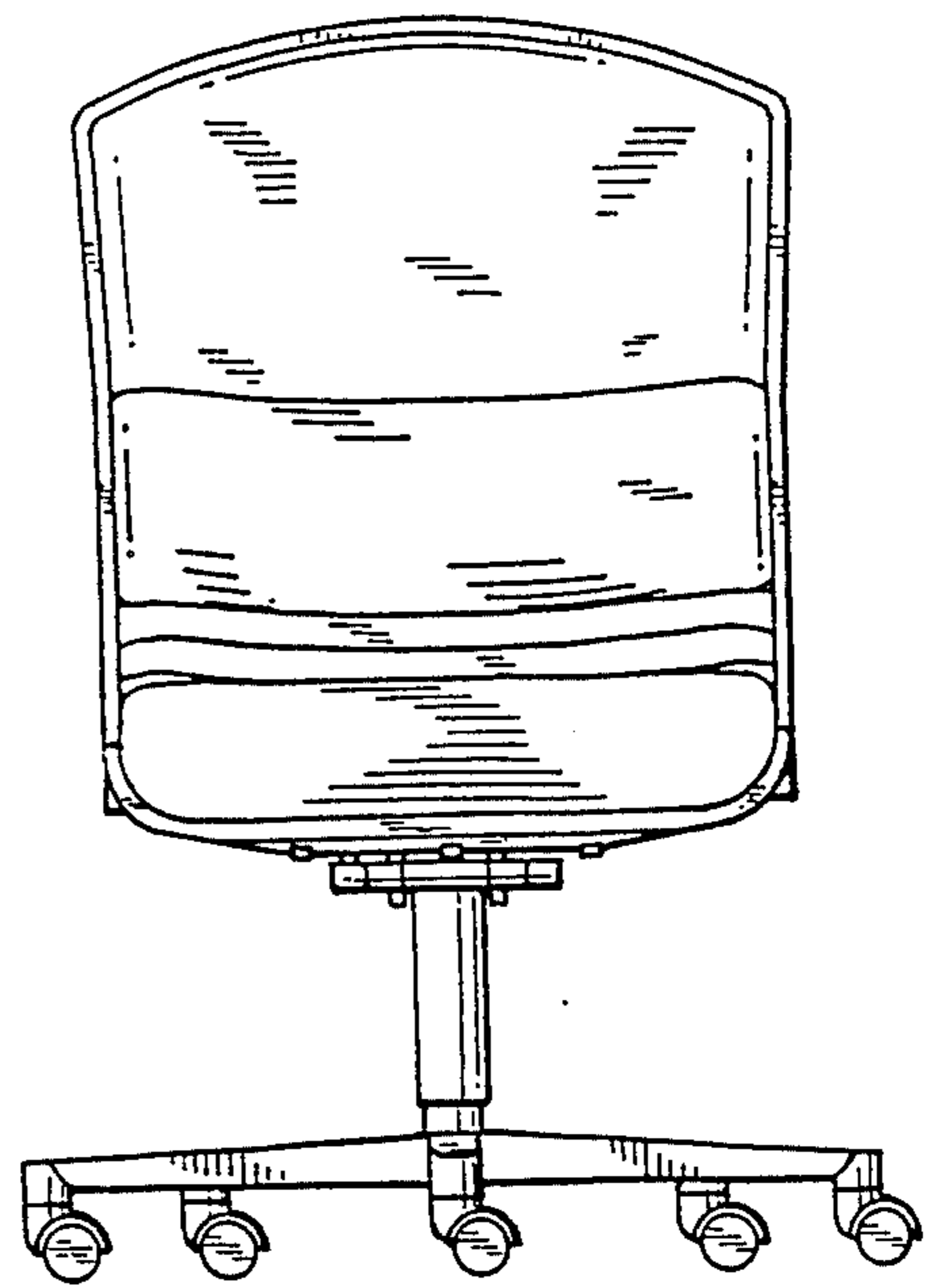


Fig. 2

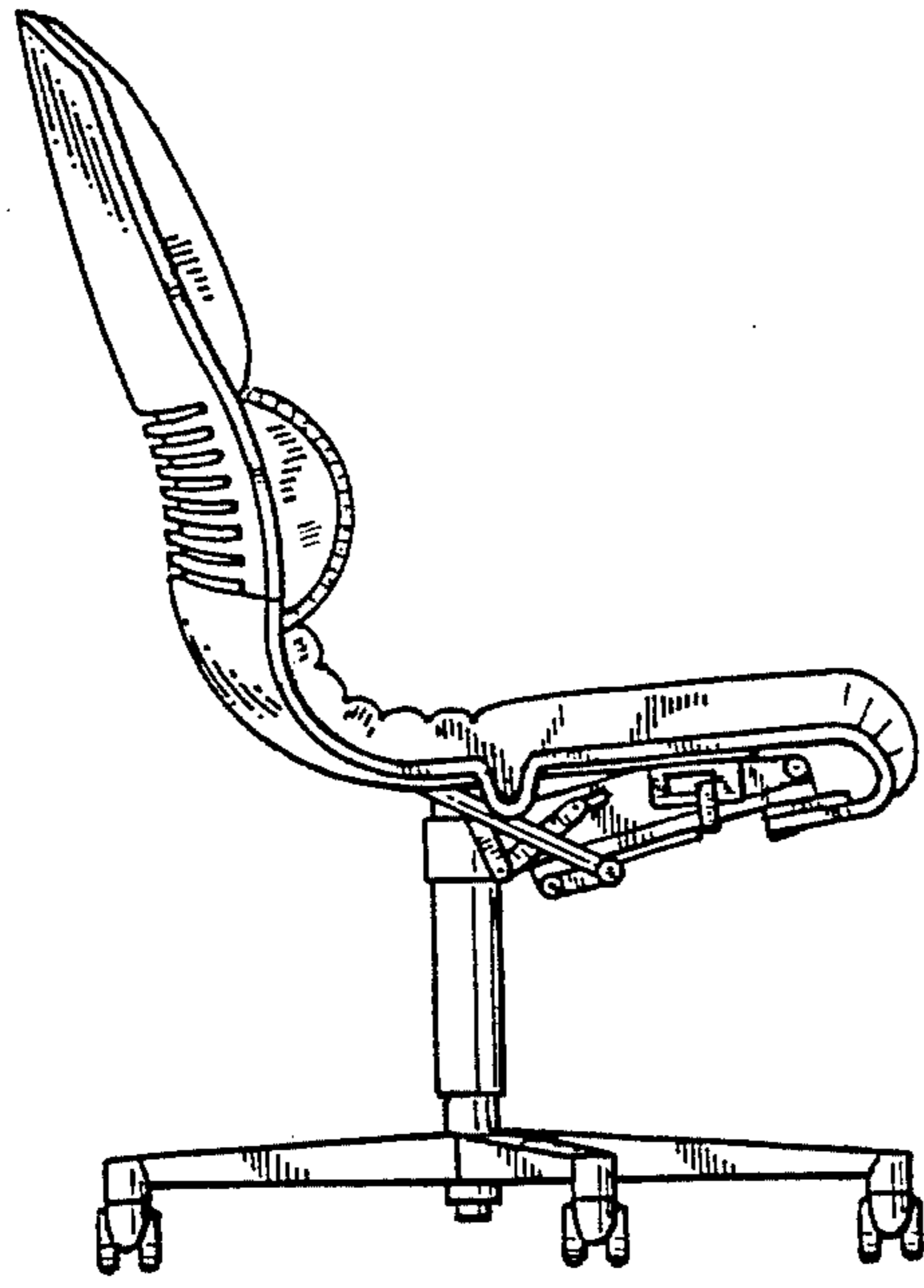


Fig. 3

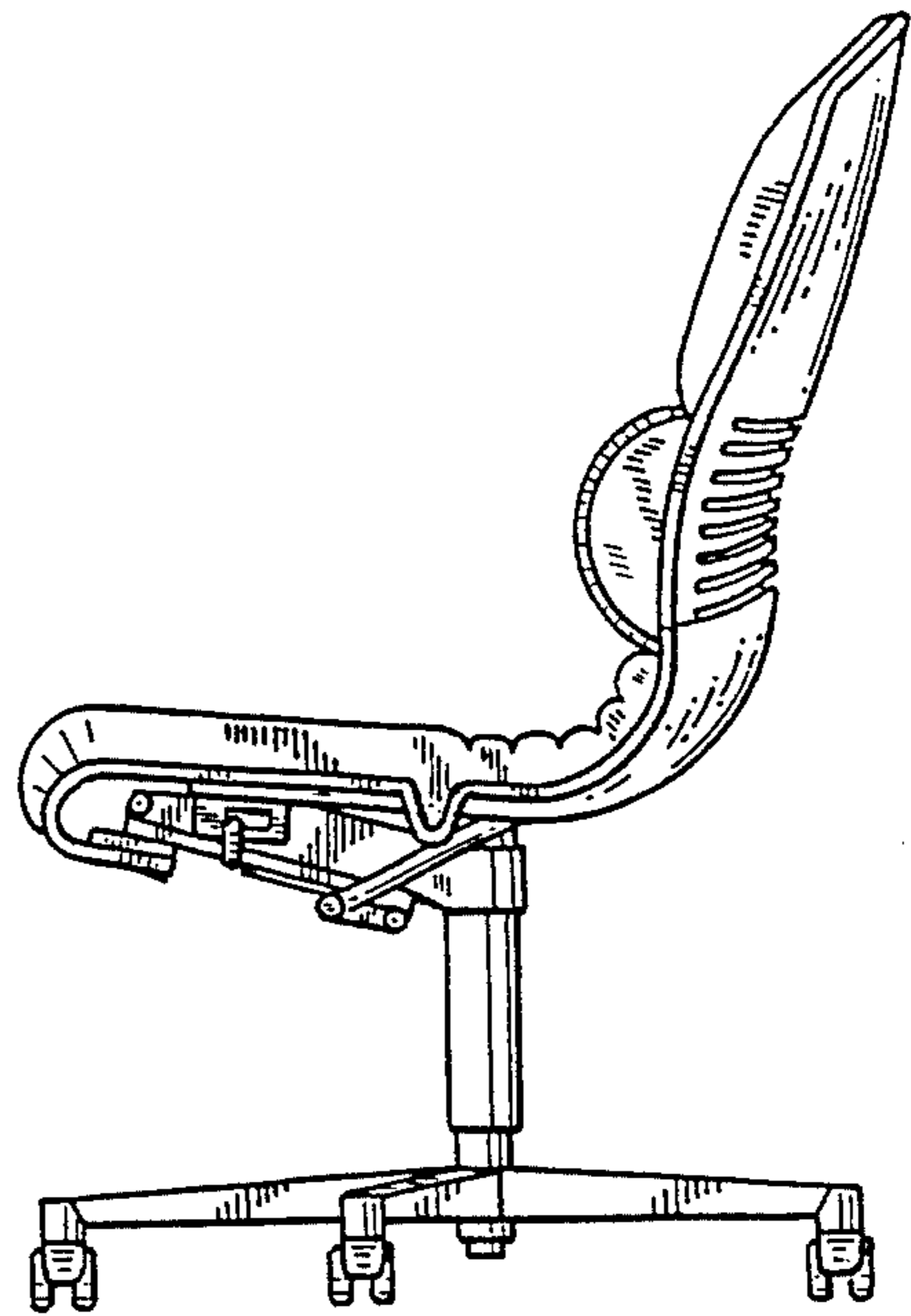


Fig. 4

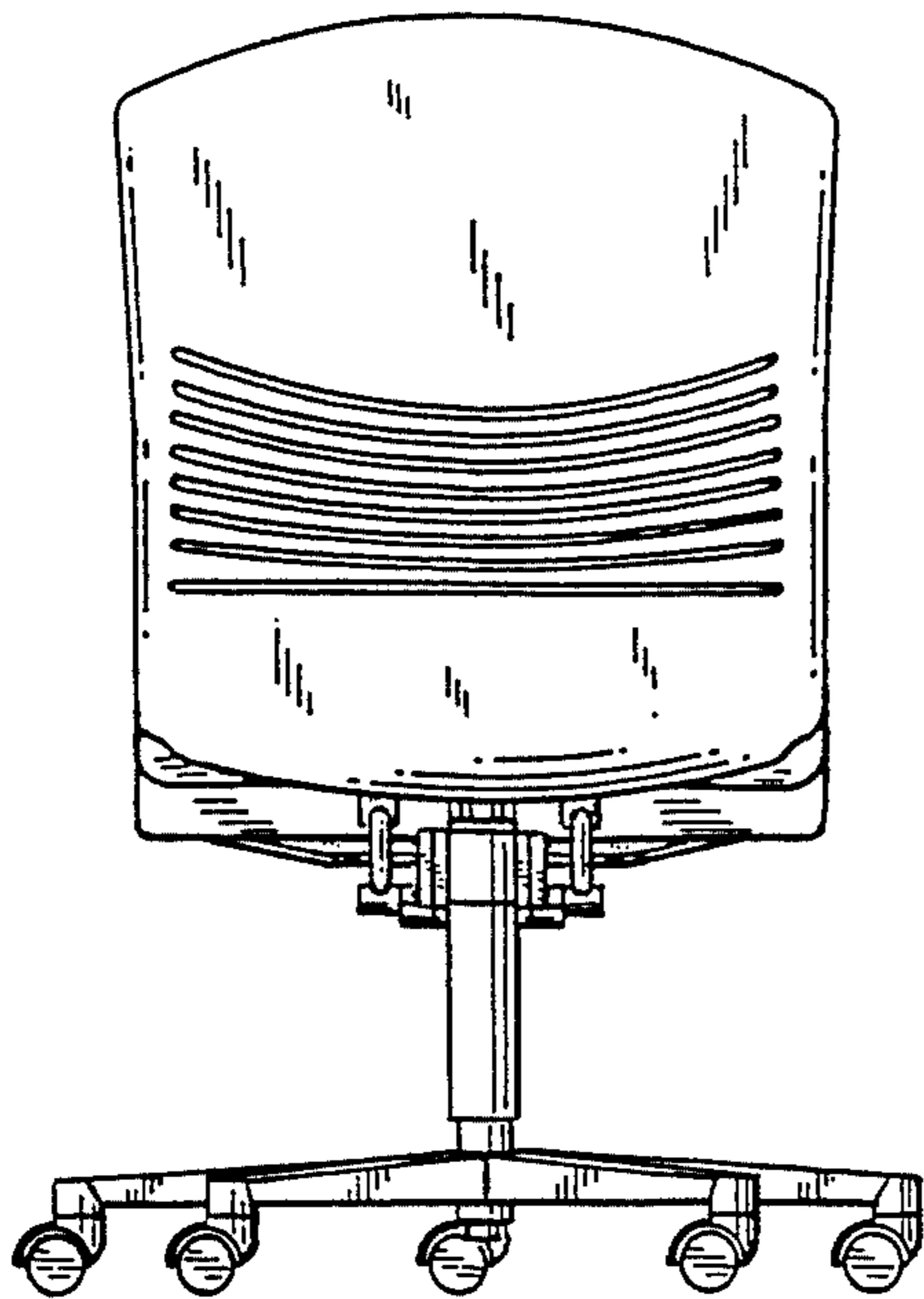


Fig. 5

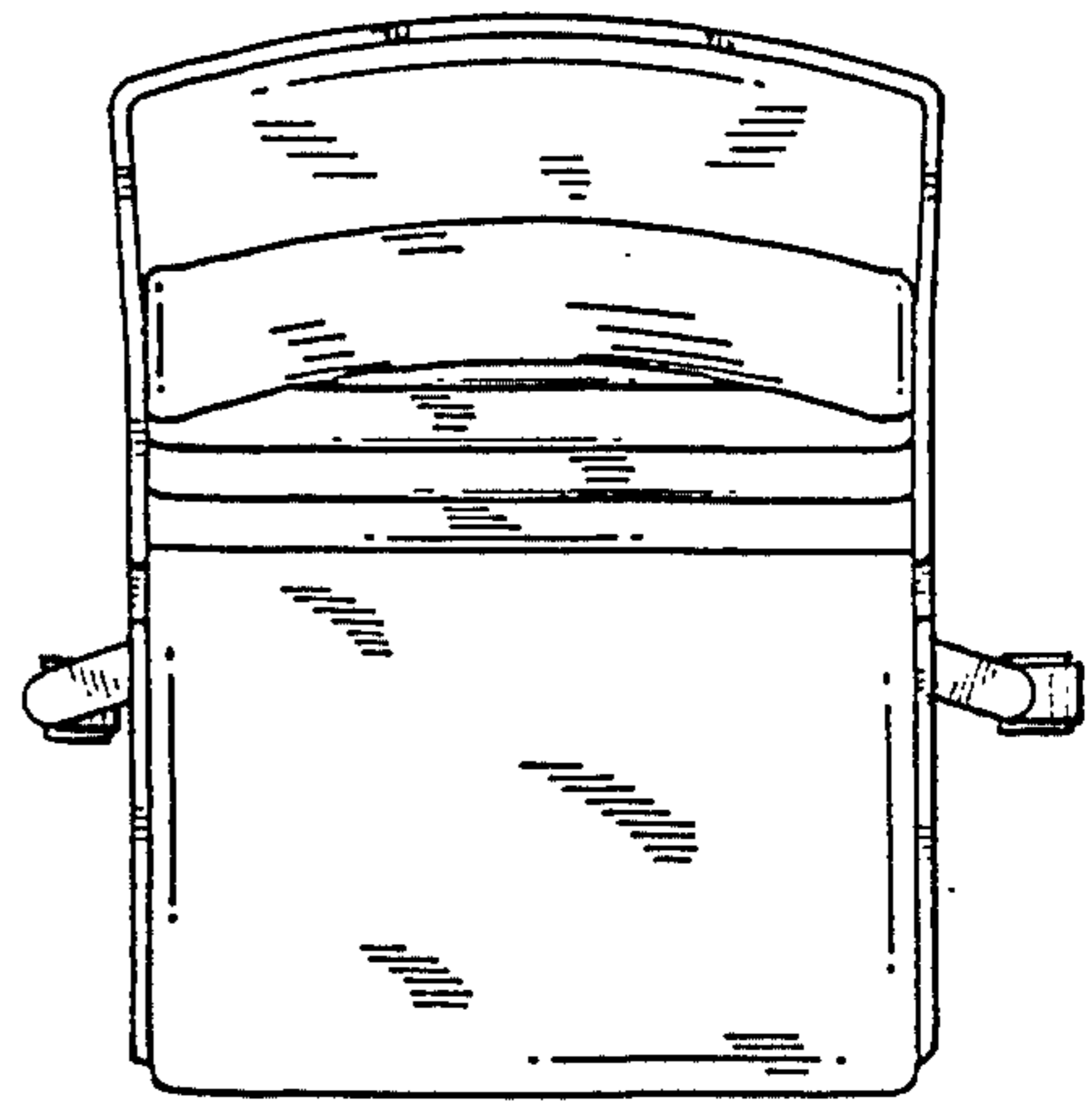


Fig. 6

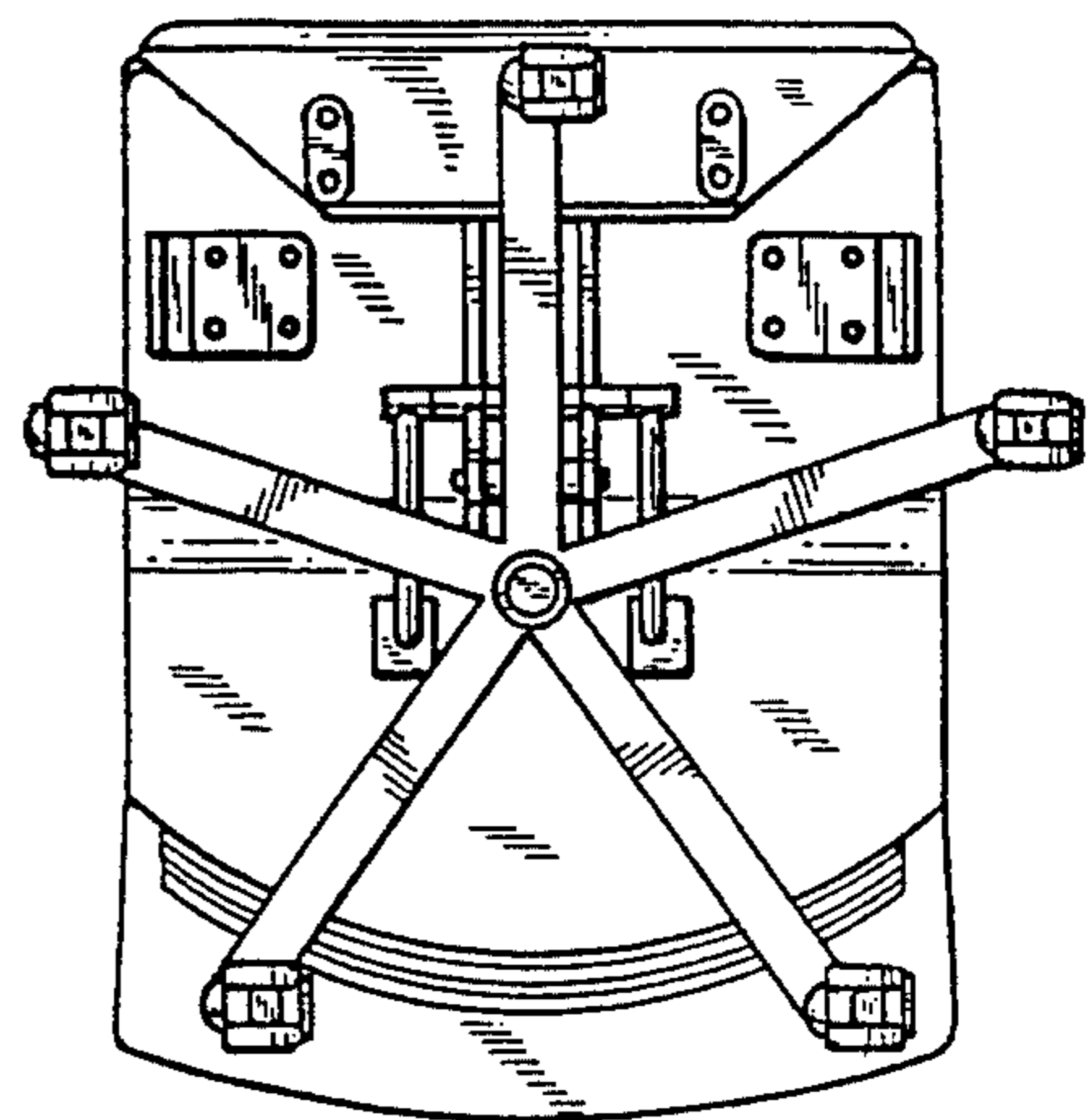


Fig. 7