

[54] CHAIR

[75] Inventor: Andras Dozsa-Farkas, Munich, Fed. Rep. of Germany

[73] Assignee: Giroflex Entwicklungs AG, Koblenz, Switzerland

[\*\*] Term: 14 Years

[21] Appl. No.: 32,089

[22] Filed: Mar. 30, 1987

[30] Foreign Application Priority Data

Dec. 30, 1986 [CH] Switzerland ..... DM/008001

[52] U.S. Cl. .... D6/366; D6/379

[58] Field of Search ..... D6/379, 371, 372, 380, D6/334, 366

[56] References Cited

U.S. PATENT DOCUMENTS

- D. 279,947 8/1985 Ballarini ..... D6/334
- D. 282,224 1/1986 Huldt ..... D6/375
- D. 285,629 9/1986 Franck et al. .... D6/366
- D. 286,106 10/1986 Franck et al. .... D6/372

- D. 292,247 10/1987 Grimsrud ..... D6/372
- D. 301,662 6/1989 Vonhausen ..... D6/366

OTHER PUBLICATIONS

Design, Dec. 1979, p. 26, Chair, top right.  
Interior, Feb. 1985, p. 1312, Chair right center.

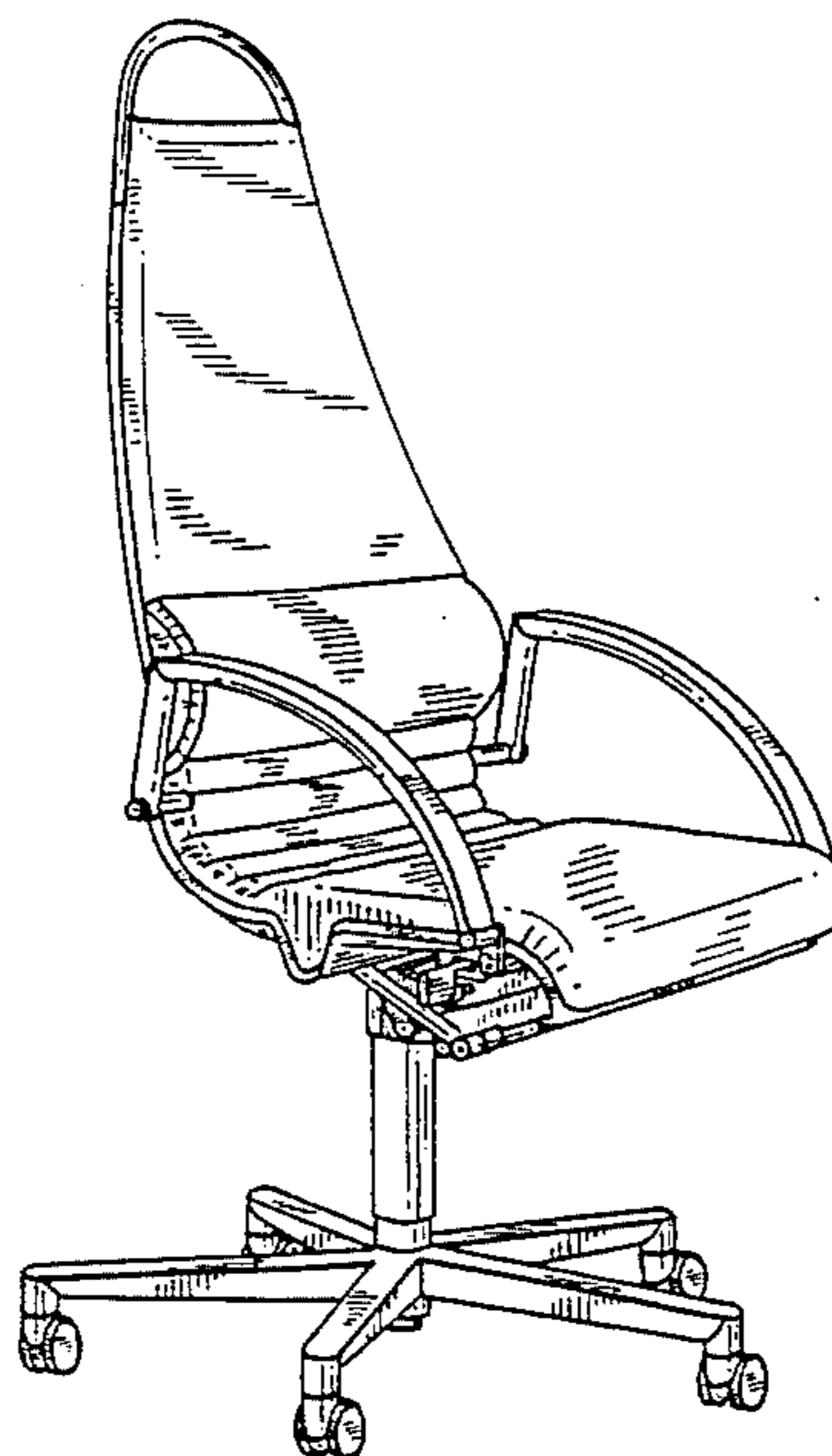
Primary Examiner—Bruce W. Dunkins  
Assistant Examiner—Ann Hunt  
Attorney, Agent, or Firm—Werner W. Kleeman

[57] CLAIM

The ornamental design for chair, as shown and described.

DESCRIPTION

FIG. 1 is a perspective view of the chair showing my new design;  
FIG. 2 is a front elevational view;  
FIG. 3 is a side elevational view;  
FIG. 4 is the opposite side elevational view to that shown in FIG. 3;  
FIG. 5 is a rear elevational view;  
FIG. 6 is a top plan view; and  
FIG. 7 is a bottom plan view.



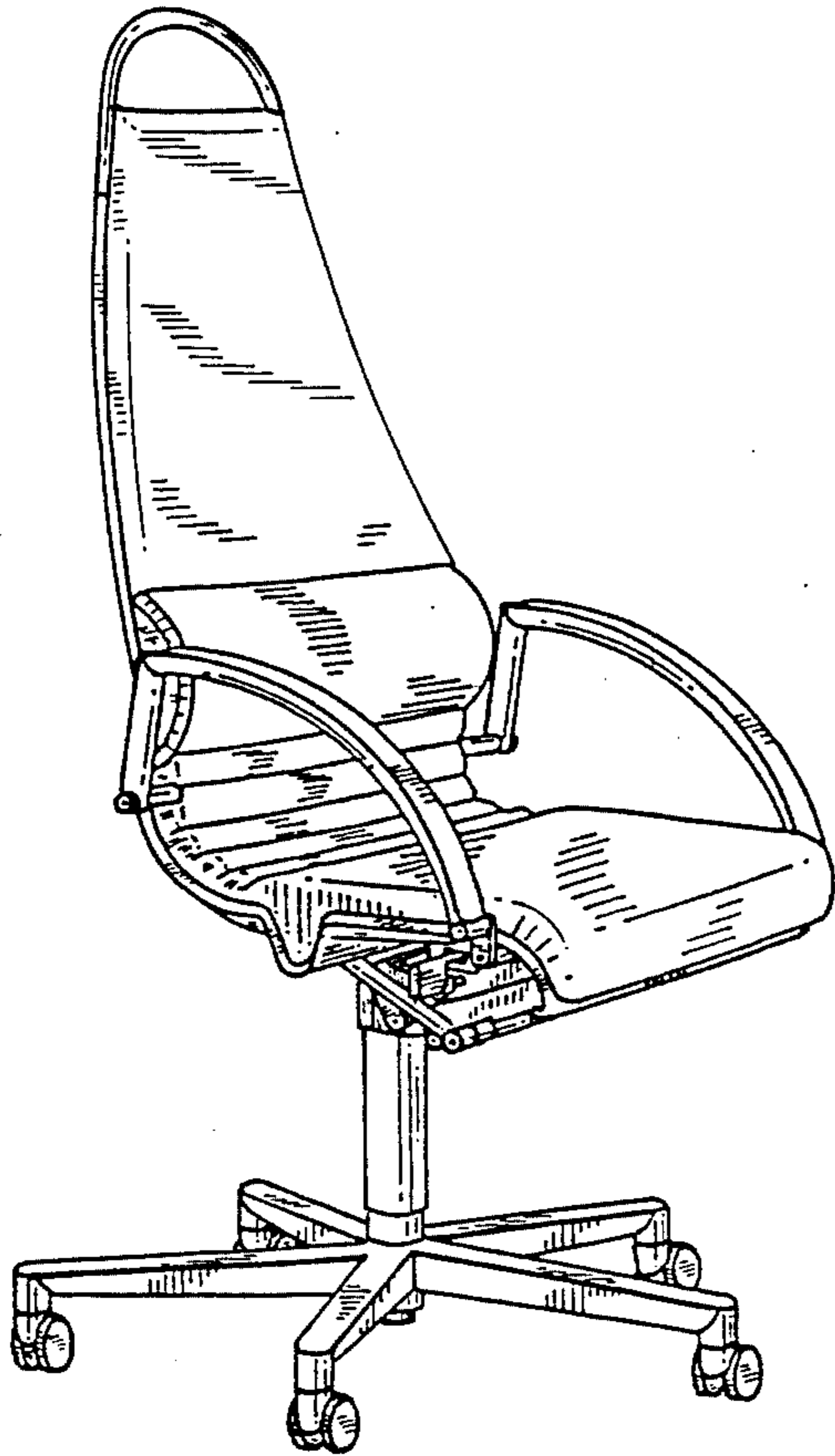


Fig. 1

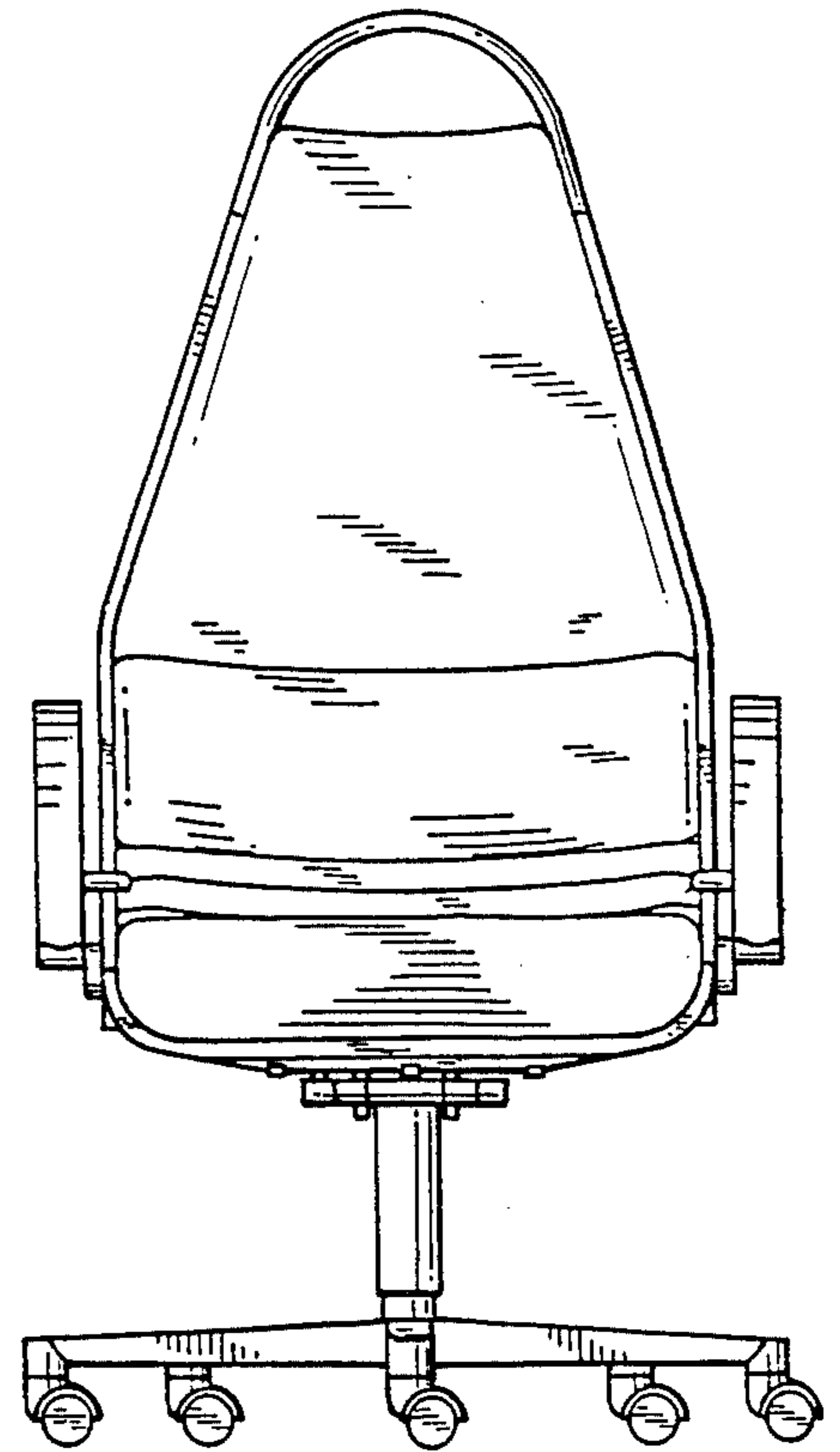


Fig. 2

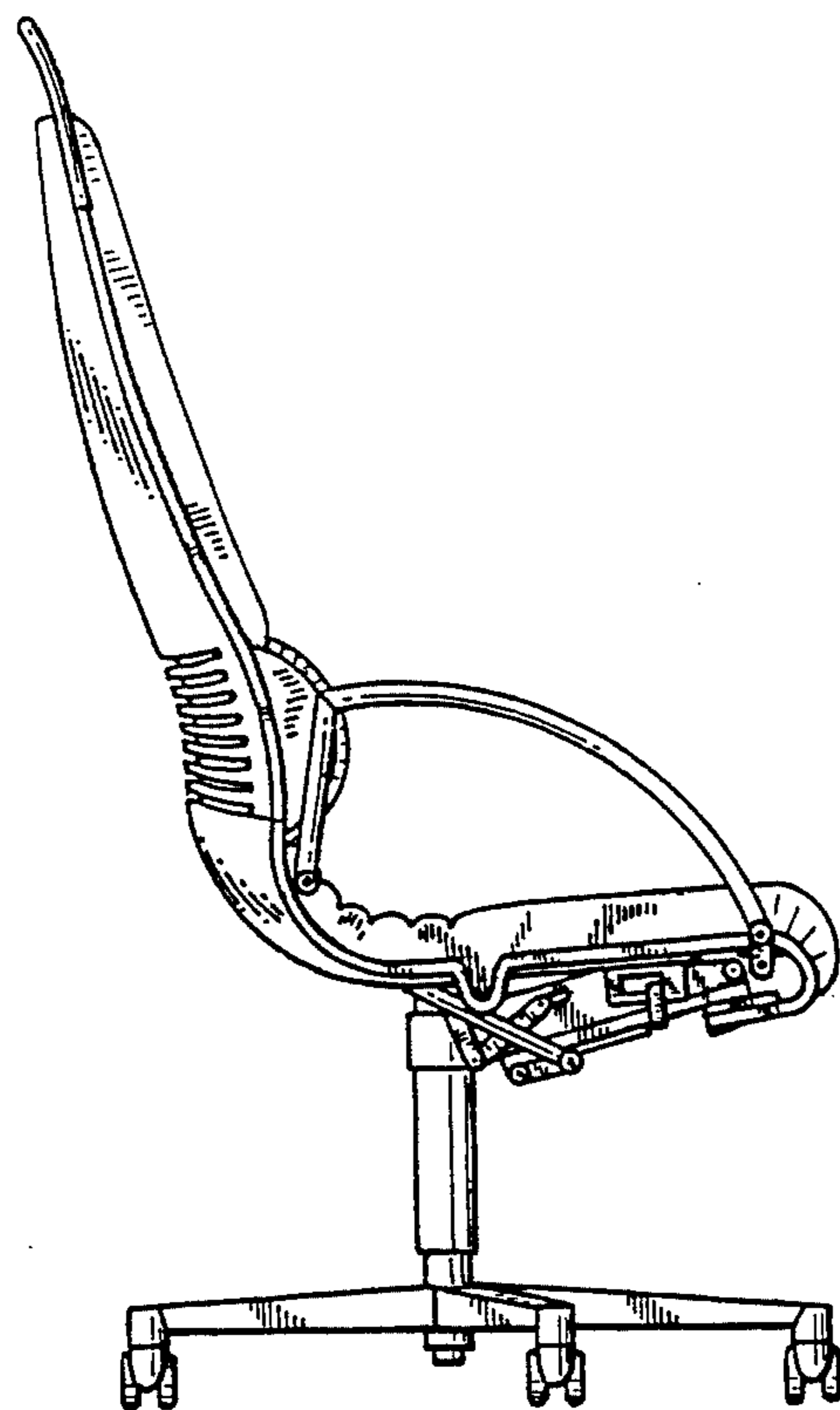


Fig. 3

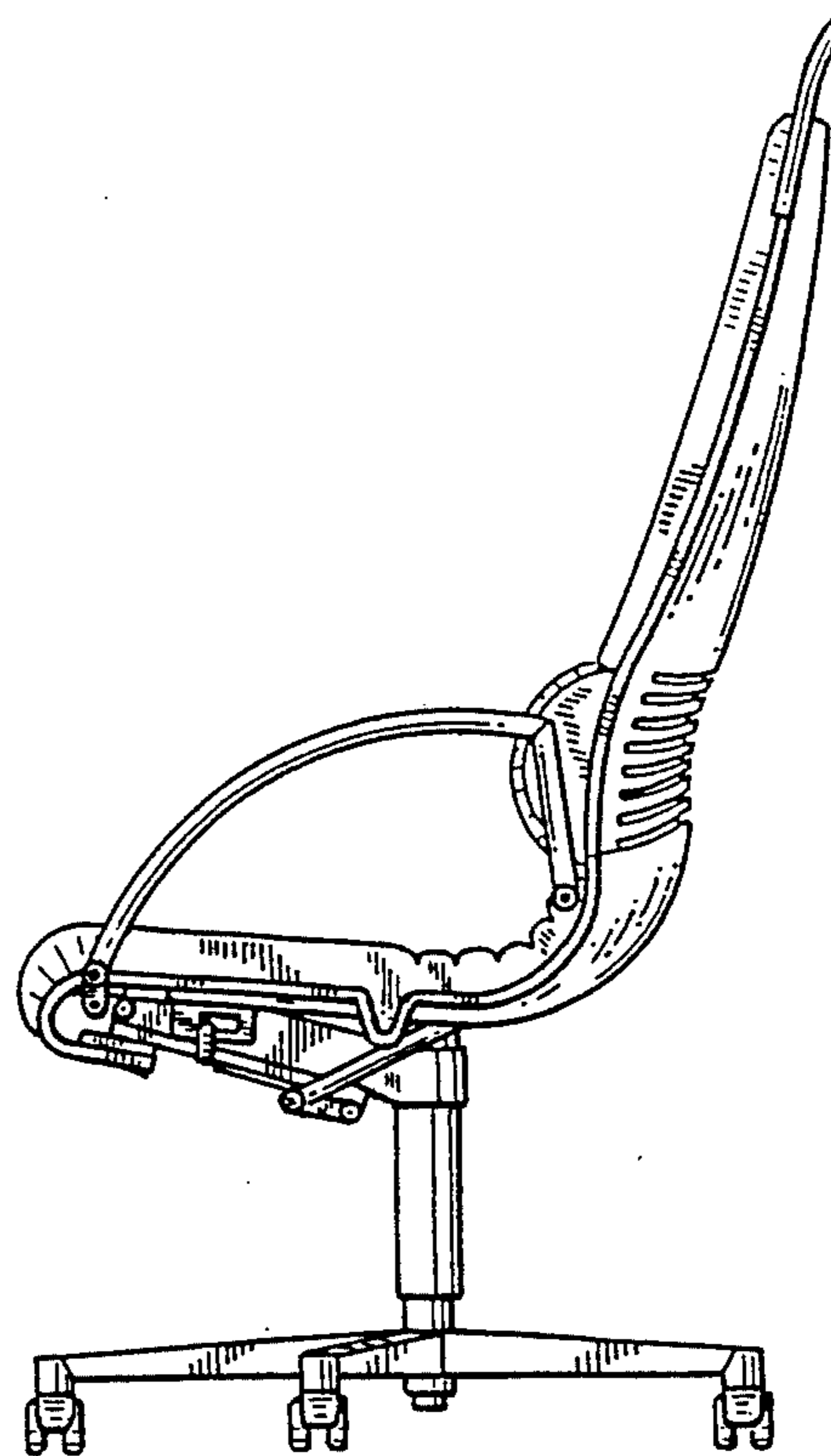


Fig. 4

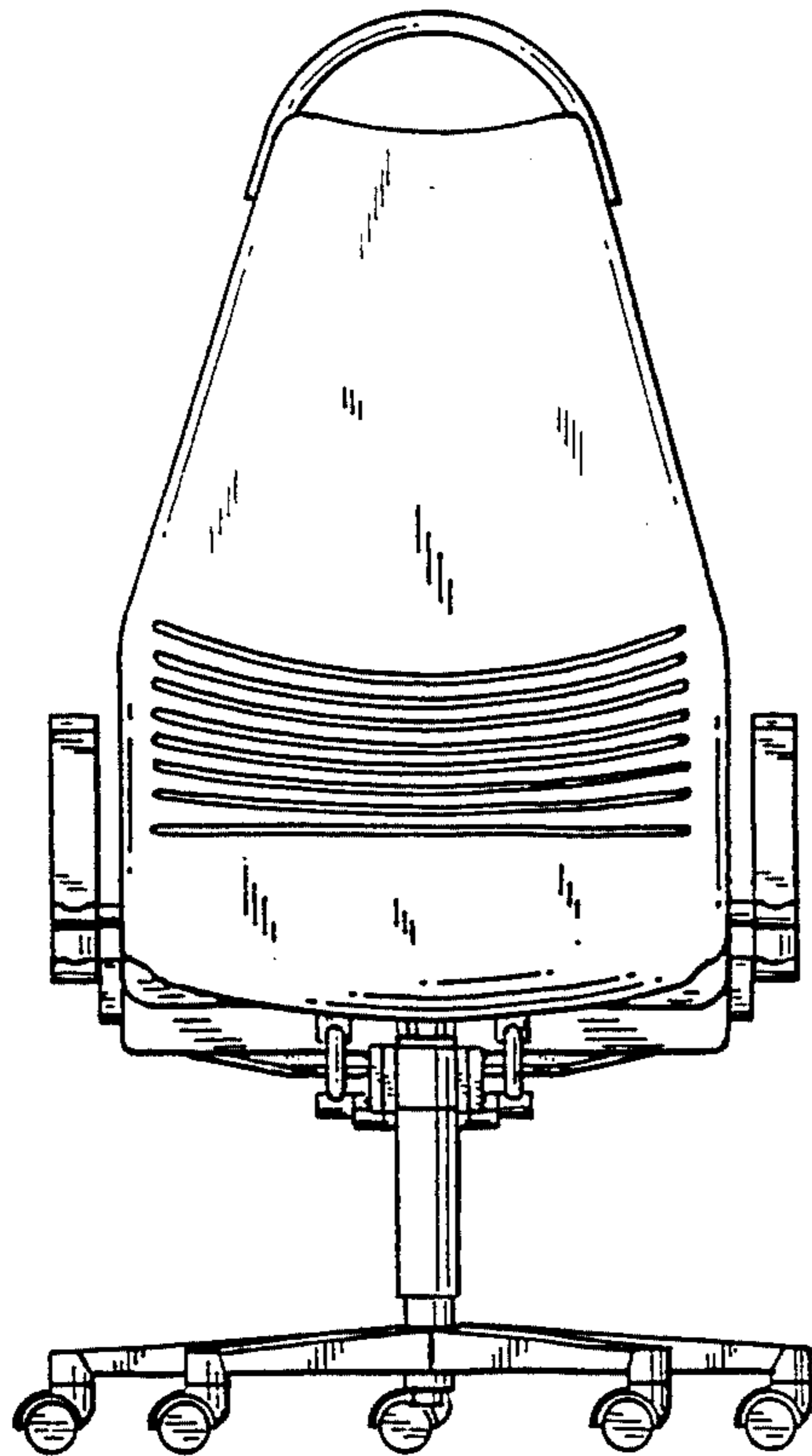


Fig. 5

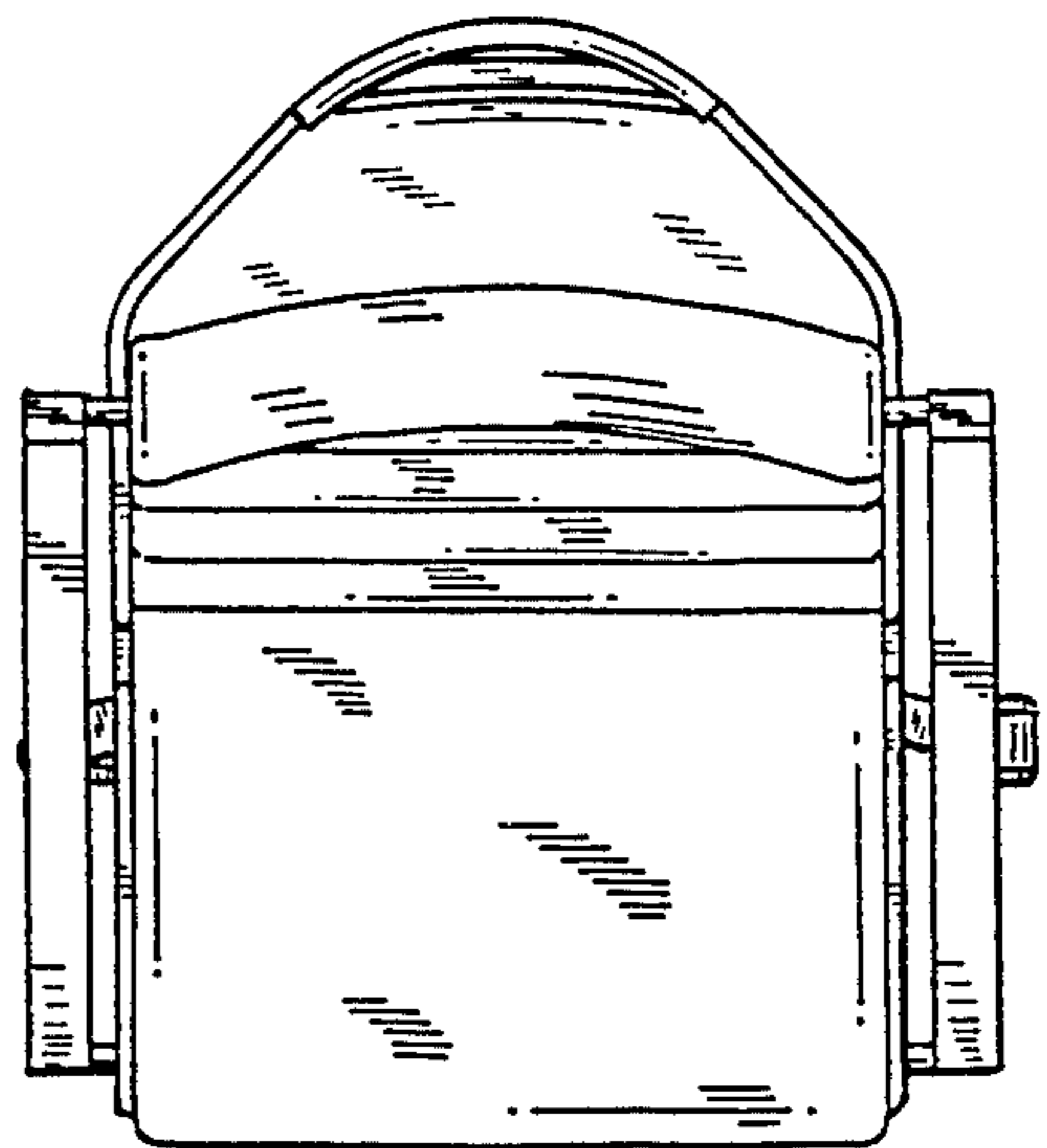


Fig. 6

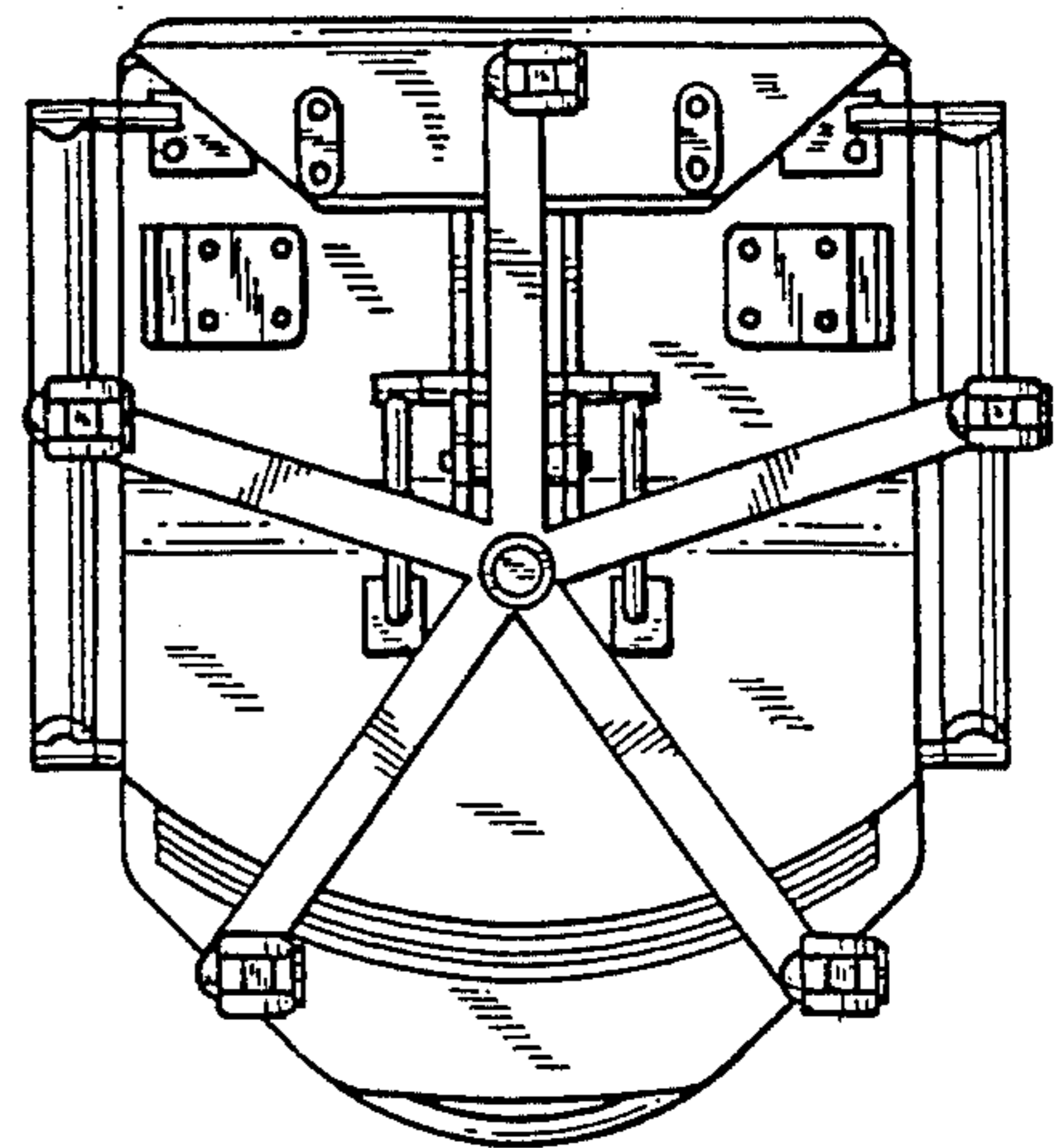


Fig. 7