

[54] COMBINED HAIRBRUSH AND SPRAY DISPENSER

[75] Inventor: Chan Y. Kim, Closter, N.J.

[73] Assignee: Bandal Enterprises, Inc., New York, N.Y.

[**] Term: 14 Years

[21] Appl. No.: 211,842

[22] Filed: Jun. 27, 1988

[52] U.S. Cl. D4/116; D4/114; D28/25

[58] Field of Search D28/7, 10, 25; D9/300, D9/338; D4/130, 114, 116, 117; 132/212, 112, 148, 147; 15/159 R, 159 A, 160, 106; 401/28, 137, 139

[56] References Cited

U.S. PATENT DOCUMENTS

- D. 128,523 7/1941 Kahn D4/117
- D. 144,203 3/1946 Marsh D4/114
- D. 270,381 8/1983 Muller et al. D28/29

- D. 270,427 9/1983 Henington D4/116
- D. 279,698 7/1985 Fini D4/116 X
- 3,516,424 6/1970 Eagle 132/148

OTHER PUBLICATIONS

Hong Kong Enterprise, 3/1986, p. 37, top & center; #CB1412.

Primary Examiner—Bernard Ansher

Assistant Examiner—C. Tuttle

[57] CLAIM

The ornamental design for a combined hairbrush and spray dispenser, as shown.

DESCRIPTION

FIG. 1 is a top right front perspective view of a combined hairbrush and spray dispenser showing my new design;

FIG. 2 is a side elevational view thereof;

FIG. 3 is a front elevational view thereof;

FIG. 4 is a rear elevational view thereof;

FIG. 5 is a top plan view thereof; and

FIG. 6 is a bottom plan view thereof.

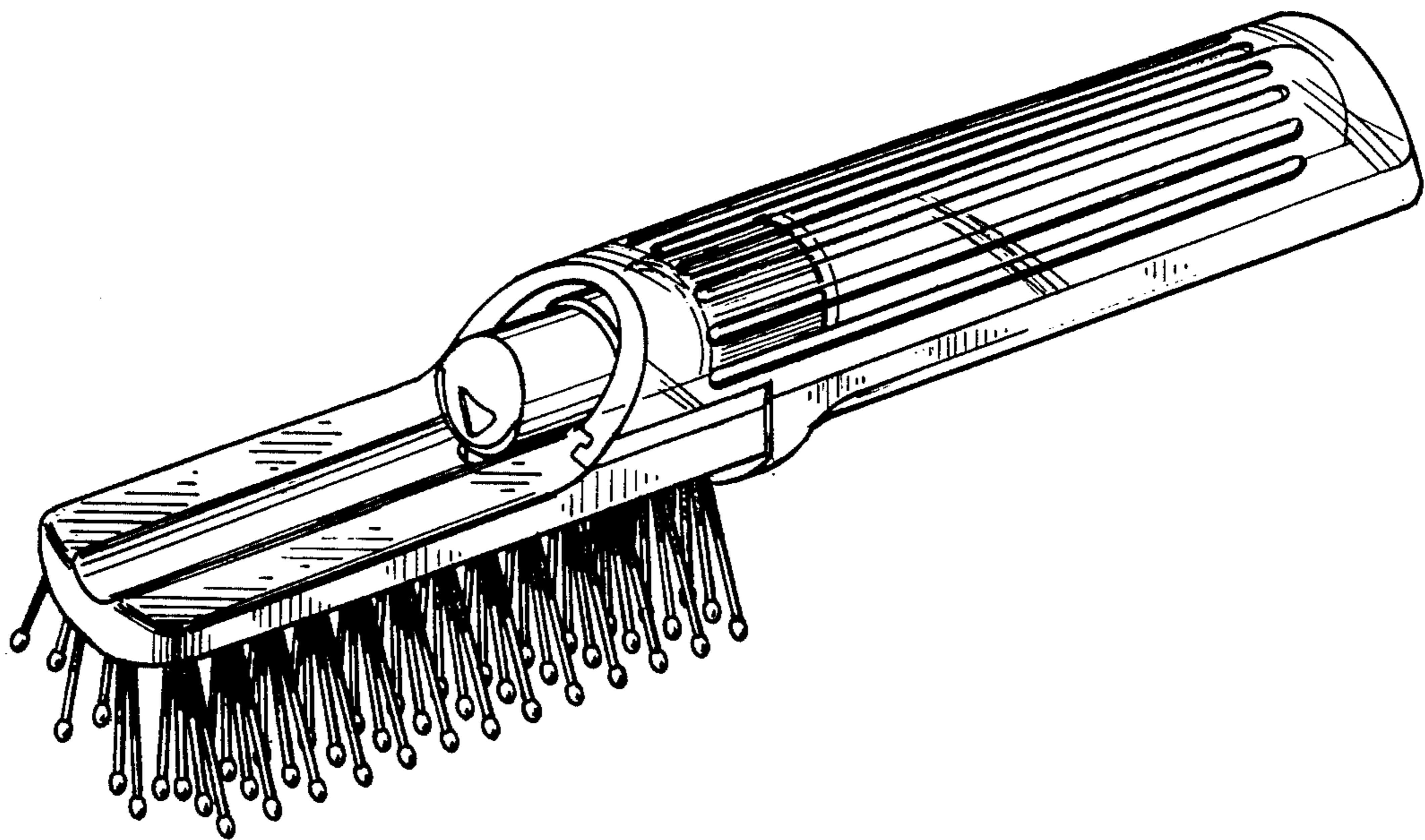


Fig. 1.

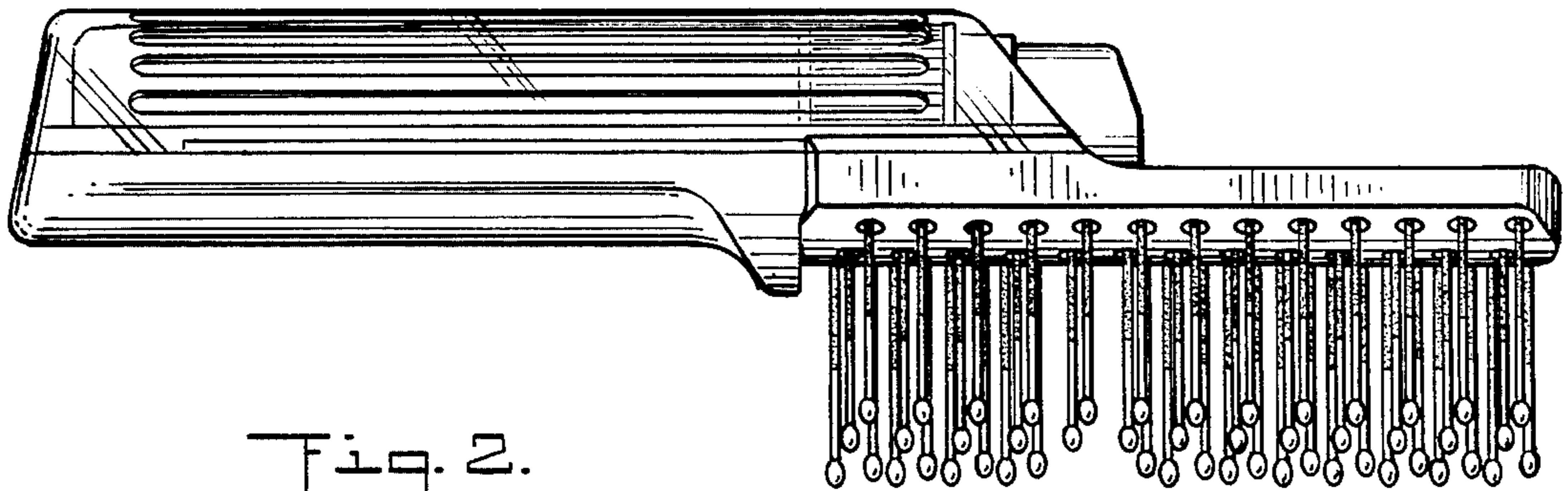
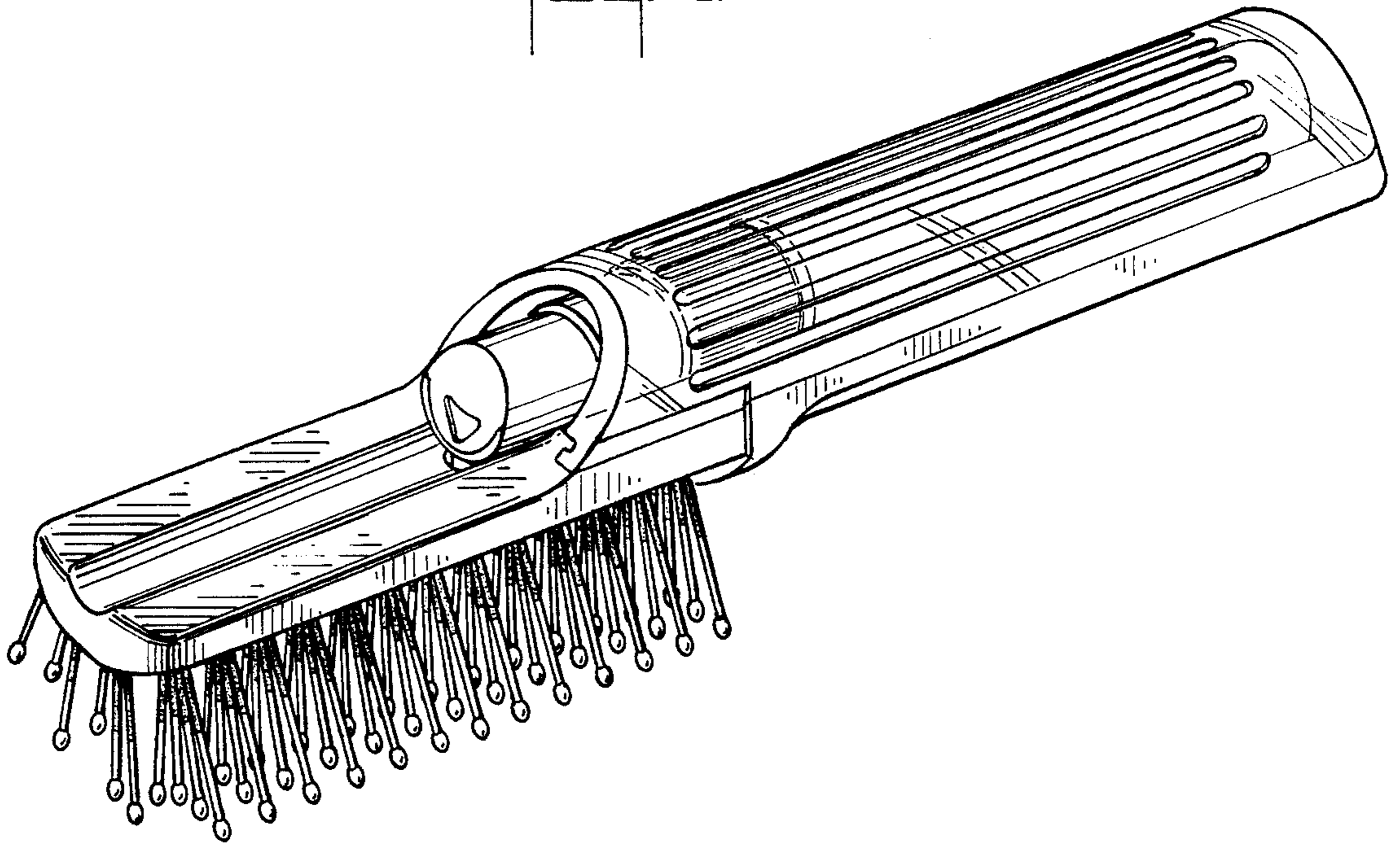


Fig. 2.

Fig. 3.

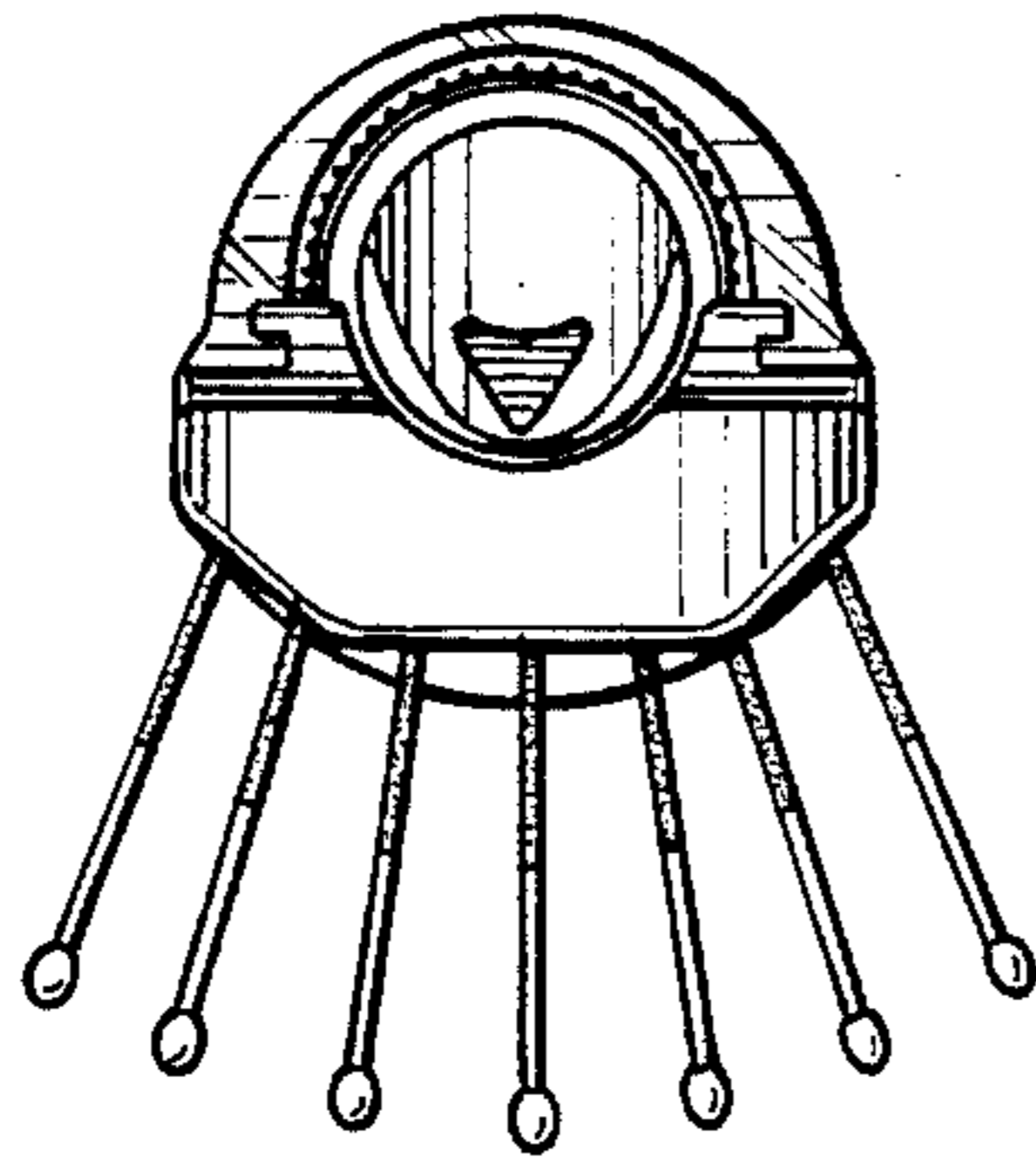


Fig. 4.

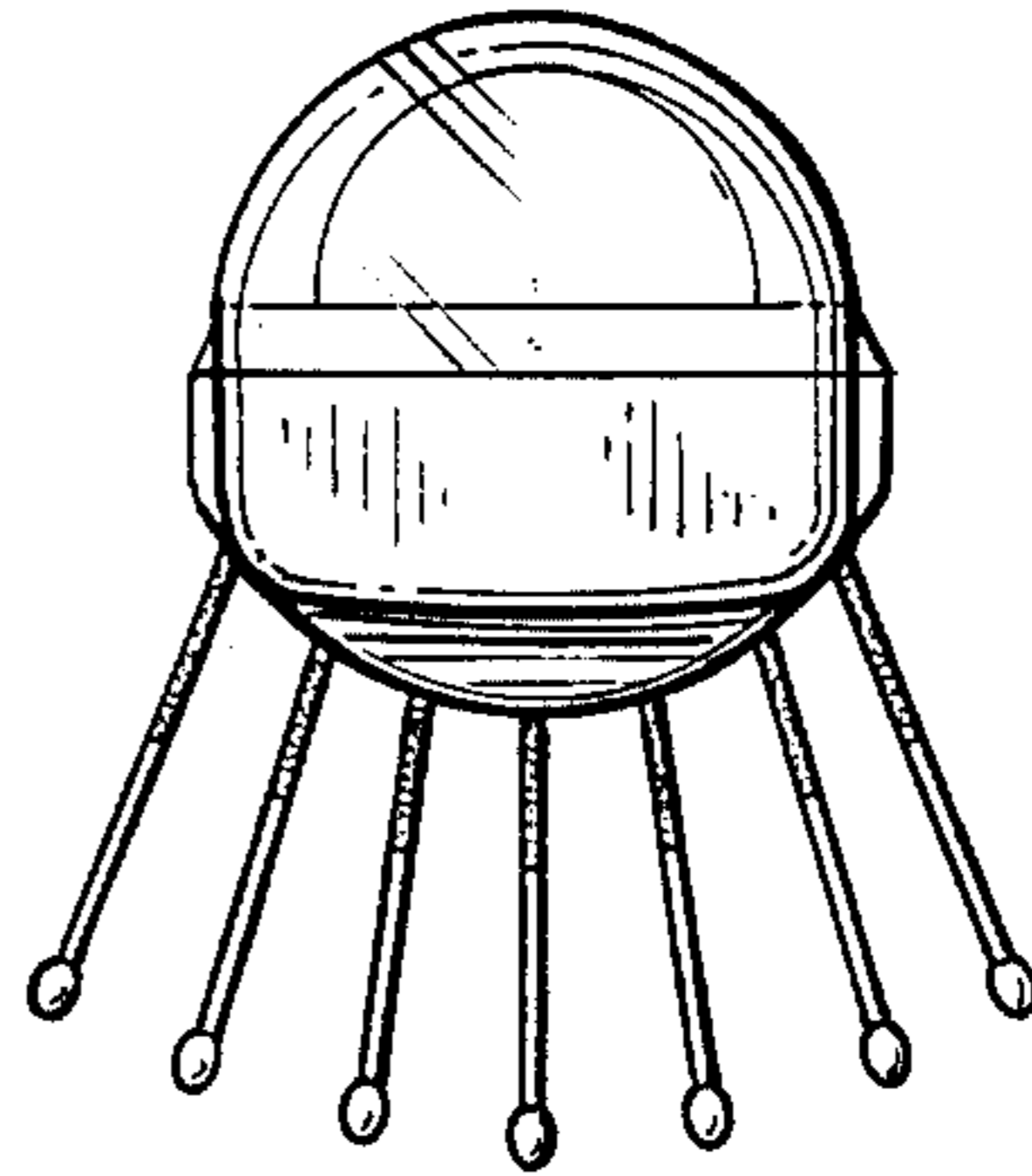


Fig. 5.

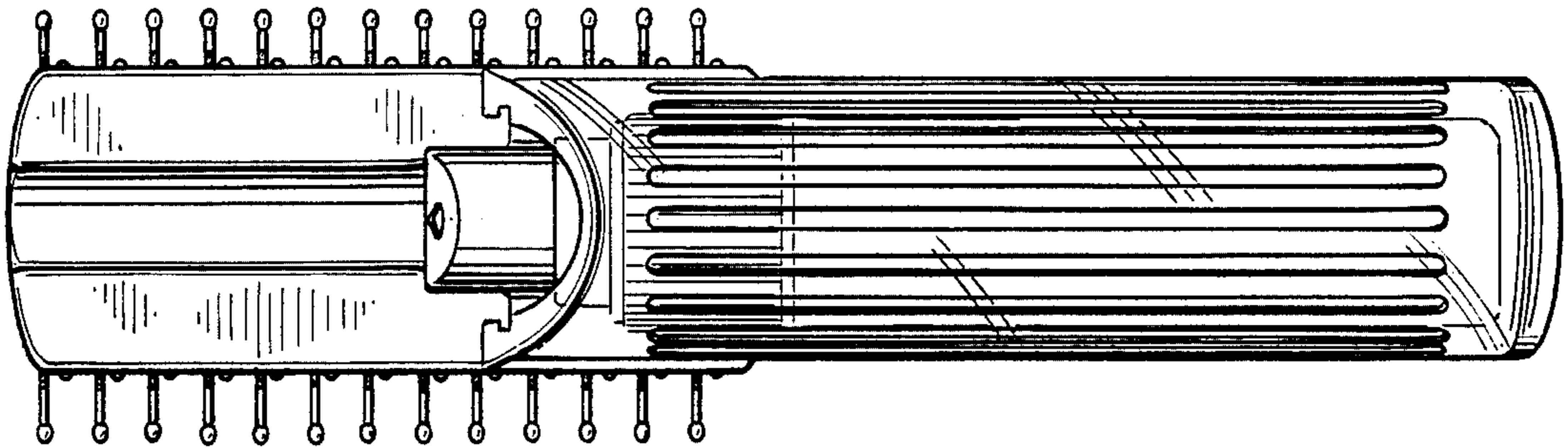


Fig. 6.

