

[54] DISC STORAGE RACK

[76] Inventors: Robert A. Egly, 31 Belcourt S., Newport Beach, Calif. 92660; Patrick Sullivan, 1752 Brookshire Ave., Tustin, Calif. 92680

[**] Term: 14 Years

[21] Appl. No.: 4,536

[22] Filed: Jan. 16, 1987

[52] U.S. Cl. D3/35

[58] Field of Search D3/30.1, 35; D6/407; D19/85, 99; D9/326; 206/309, 311, 307, 44 R, 387; 211/40; 248/221.1; 312/10, 11, 12, 14, 111

[56] References Cited

U.S. PATENT DOCUMENTS

D. 143,643	1/1946	Burger	D19/90
D. 155,010	8/1949	Kaplan et al.	D19/90
D. 180,863	8/1957	Collins	D19/90
D. 231,063	4/1974	Rafaat	D3/35
D. 242,010	10/1976	Habelt	D3/35
D. 263,907	4/1982	Pepicelli, Jr. et al.	D3/35

D. 267,216	12/1982	Swan	D6/407
D. 283,957	5/1986	Stravitz	D6/407
D. 287,440	12/1986	Taylor	D6/407
4,257,524	3/1981	Yonkers et al.	D3/35
4,684,027	8/1987	Wright	D6/407

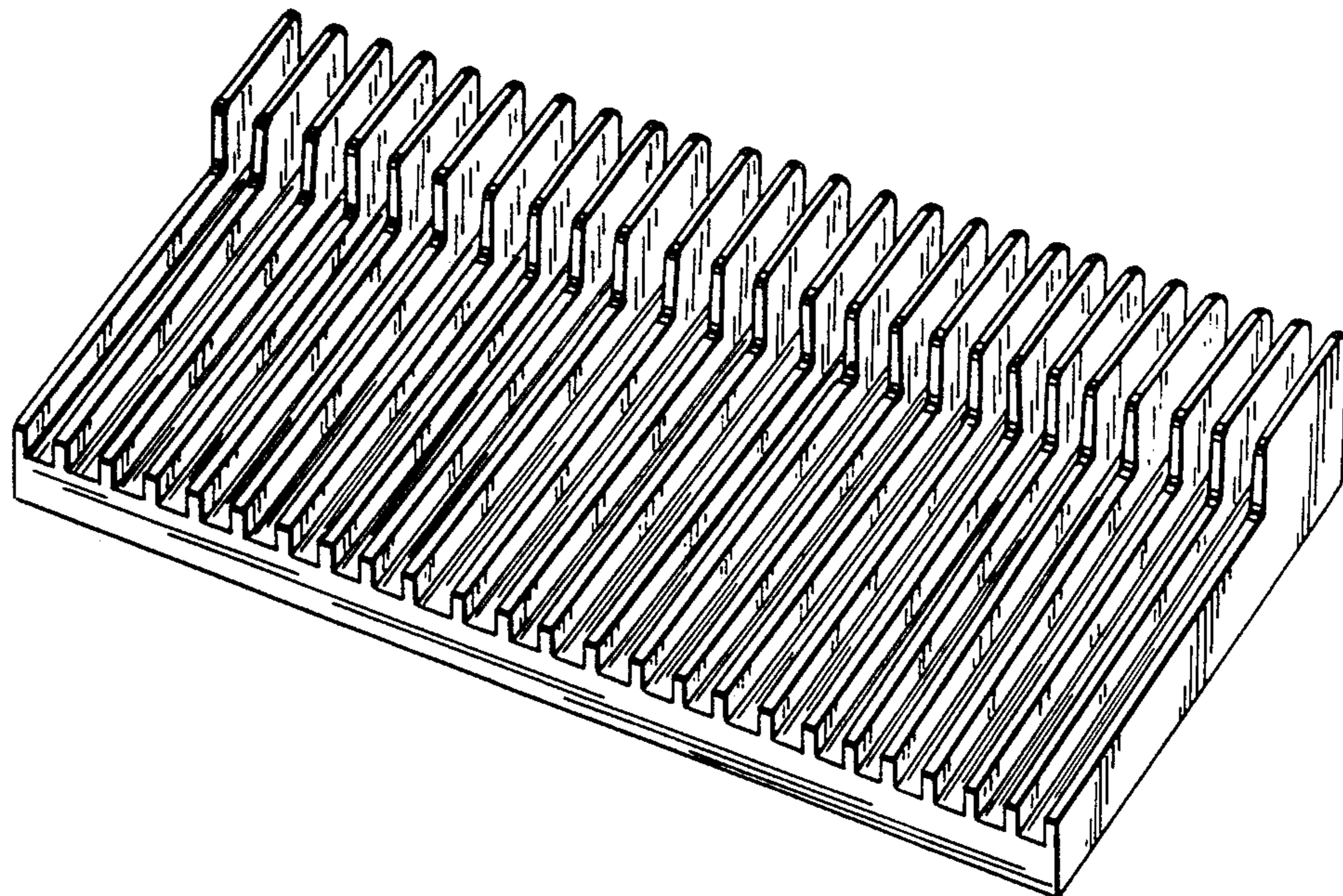
Primary Examiner—James R. Largen
Assistant Examiner—Cathy Anne MacCormac
Attorney, Agent, or Firm—George F. Bethel; Patience K. Bethel

[57] CLAIM

The ornamental design for a disc storage rack, as shown and described.

DESCRIPTION

FIG. 1 is a top front and right side perspective view of a disc storage rack showing our new design; FIG. 2 is a front elevational view thereof; FIG. 3 is a top plan view thereof; FIG. 4 is a right side elevational view thereof; FIG. 5 is a left side elevational view thereof; FIG. 6 is a rear elevational view thereof; and FIG. 7 is a bottom plan view thereof.



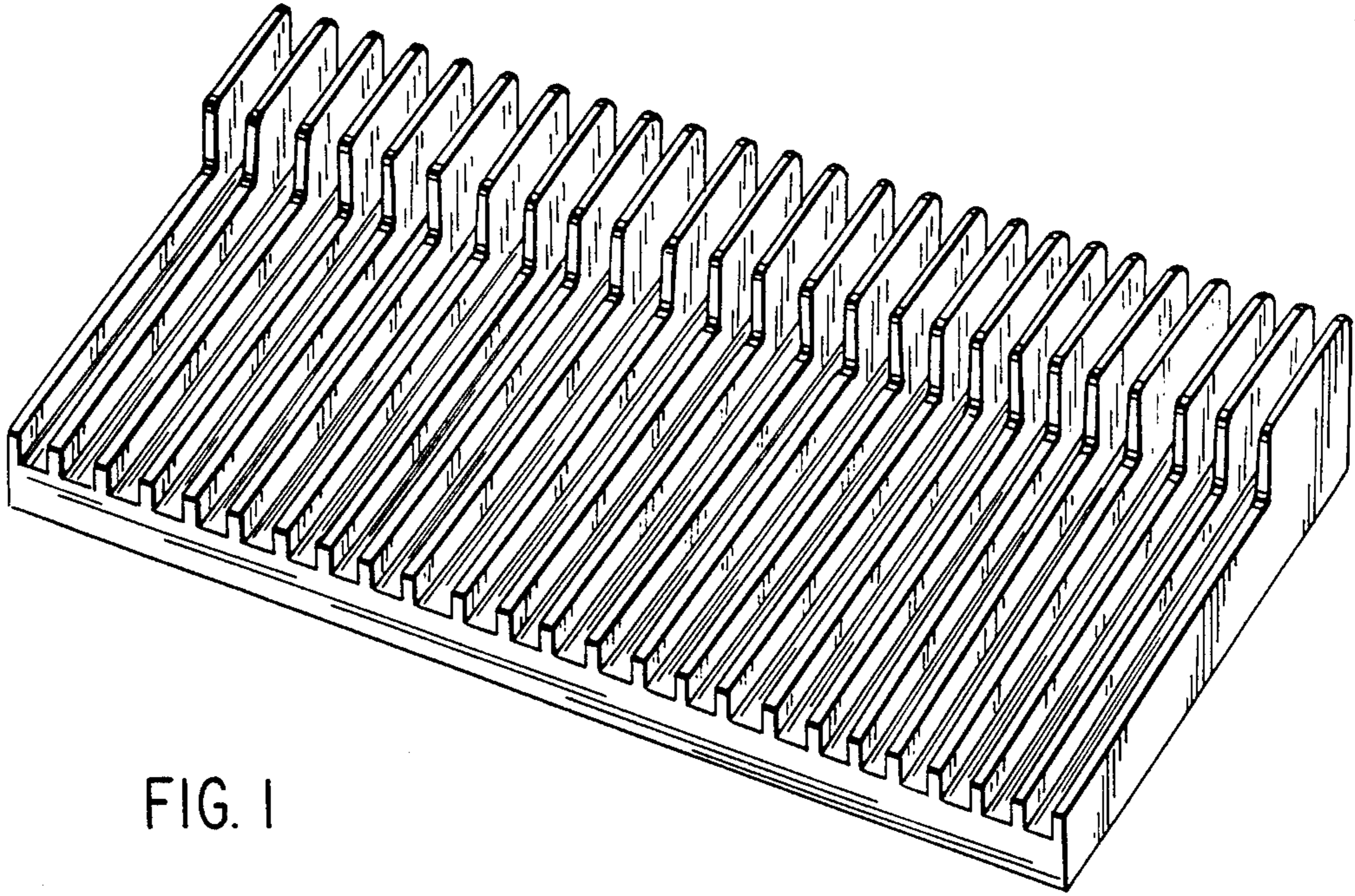


FIG. 1

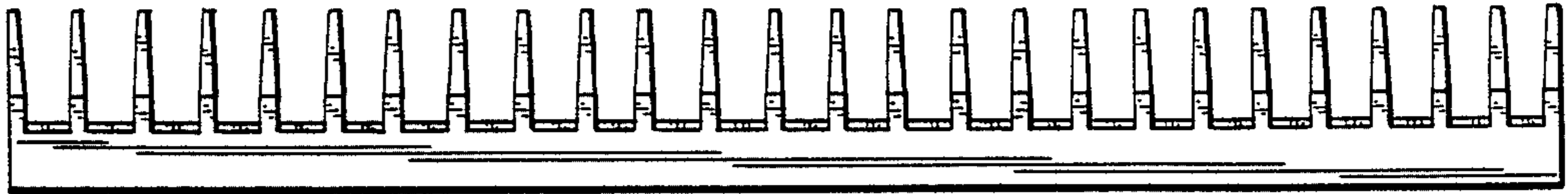


FIG. 2

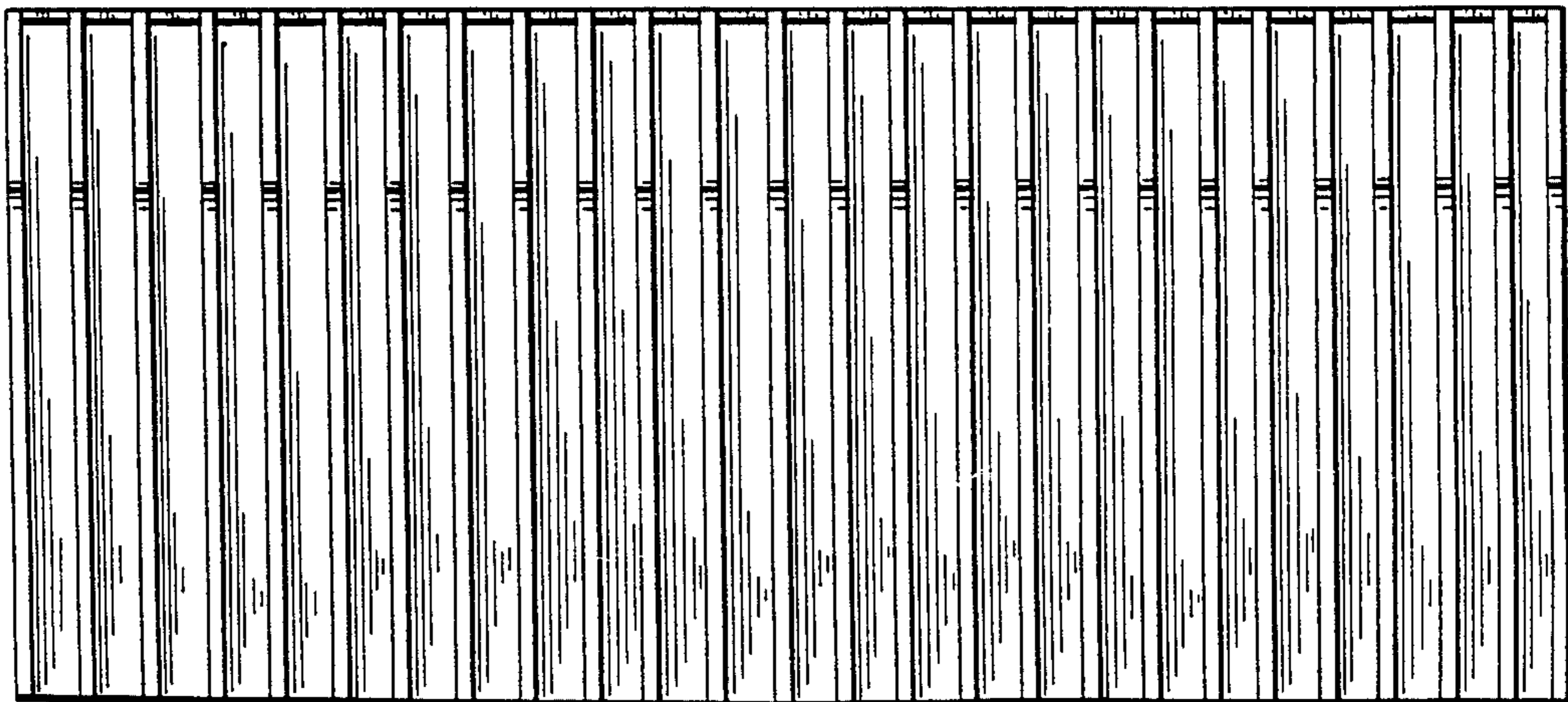


FIG. 3



FIG. 4

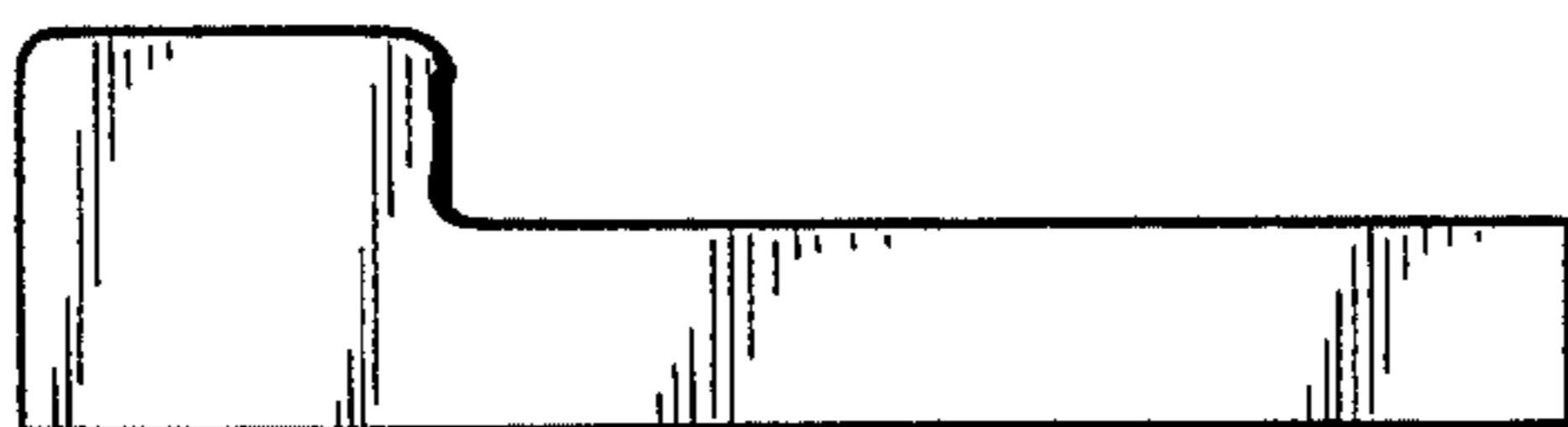


FIG. 5

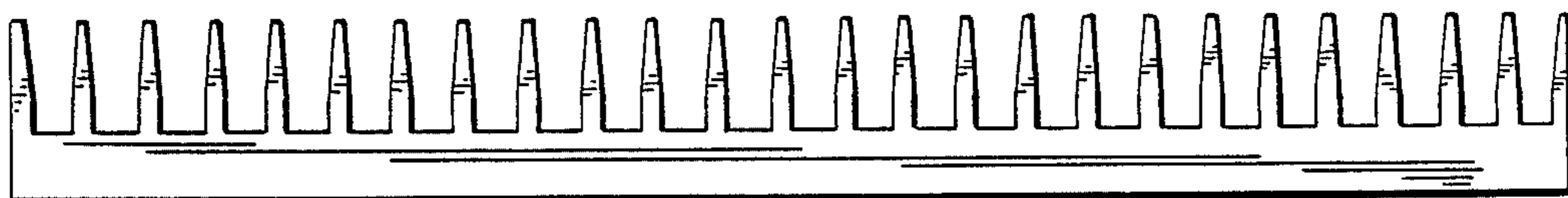


FIG. 6

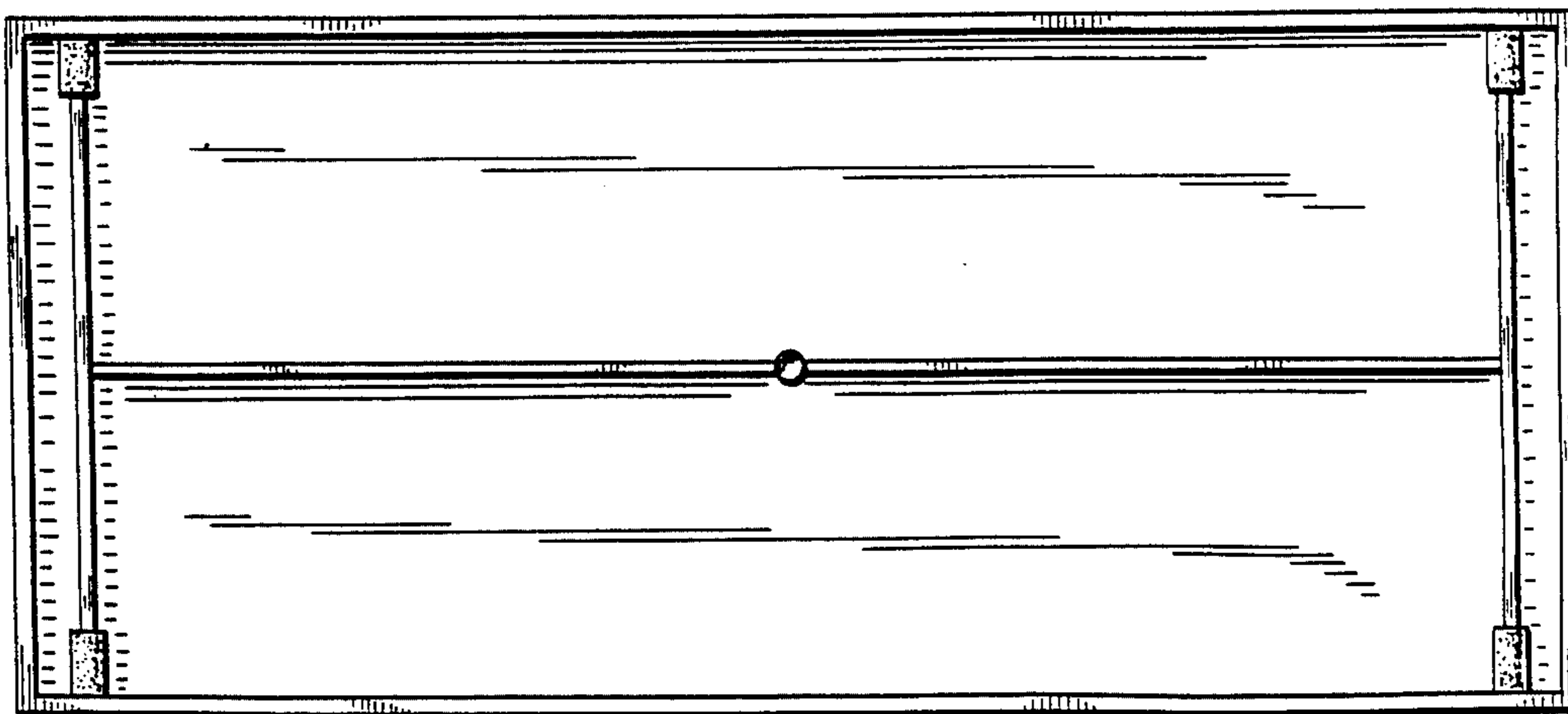


FIG. 7