

[54] STACKABLE MODULAR TRAYS OR THE LIKE

[76] Inventor: John P. Remler, 117 Duncan Rd., North Augusta, S.C. 29841

[**] Term: 14 Years

[21] Appl. No.: 10,155

[22] Filed: Feb. 2, 1987

[52] U.S. Cl. D34/46

[58] Field of Search D34/40-46; D9/341, 344, 424, 432; 206/45.11, 144, 386, 600, 499-513, 821; 220/1.5, 4 C, 4 D, 83, 84; 211/126, 194

| | | | |
|-----------|---------|--------------------|-----------|
| 2,821,327 | 1/1958 | Glazer . | |
| 2,882,087 | 4/1959 | Socke | D34/44 X |
| 3,392,874 | 7/1968 | Peebles | 206/509 X |
| 3,606,949 | 9/1971 | Joyce . | |
| 3,627,122 | 12/1971 | Garbe, Jr. | 220/21 X |
| 4,029,209 | 6/1977 | Frahm et al. | 220/21 X |
| 4,039,119 | 8/1977 | Crane . | |
| 4,040,517 | 8/1977 | Torokvei . | |
| 4,529,088 | 7/1985 | Quong | 220/21 X |
| 4,573,729 | 3/1986 | Cookson . | |
| 4,671,411 | 6/1987 | Rehrig et al. | 206/510 X |
| 4,763,787 | 8/1988 | Koenig | 206/503 X |

Primary Examiner—Charles A. Rademaker
Assistant Examiner—Prabhakar Deshmukh
Attorney, Agent, or Firm—Dority & Manning

[56] References Cited

U.S. PATENT DOCUMENTS

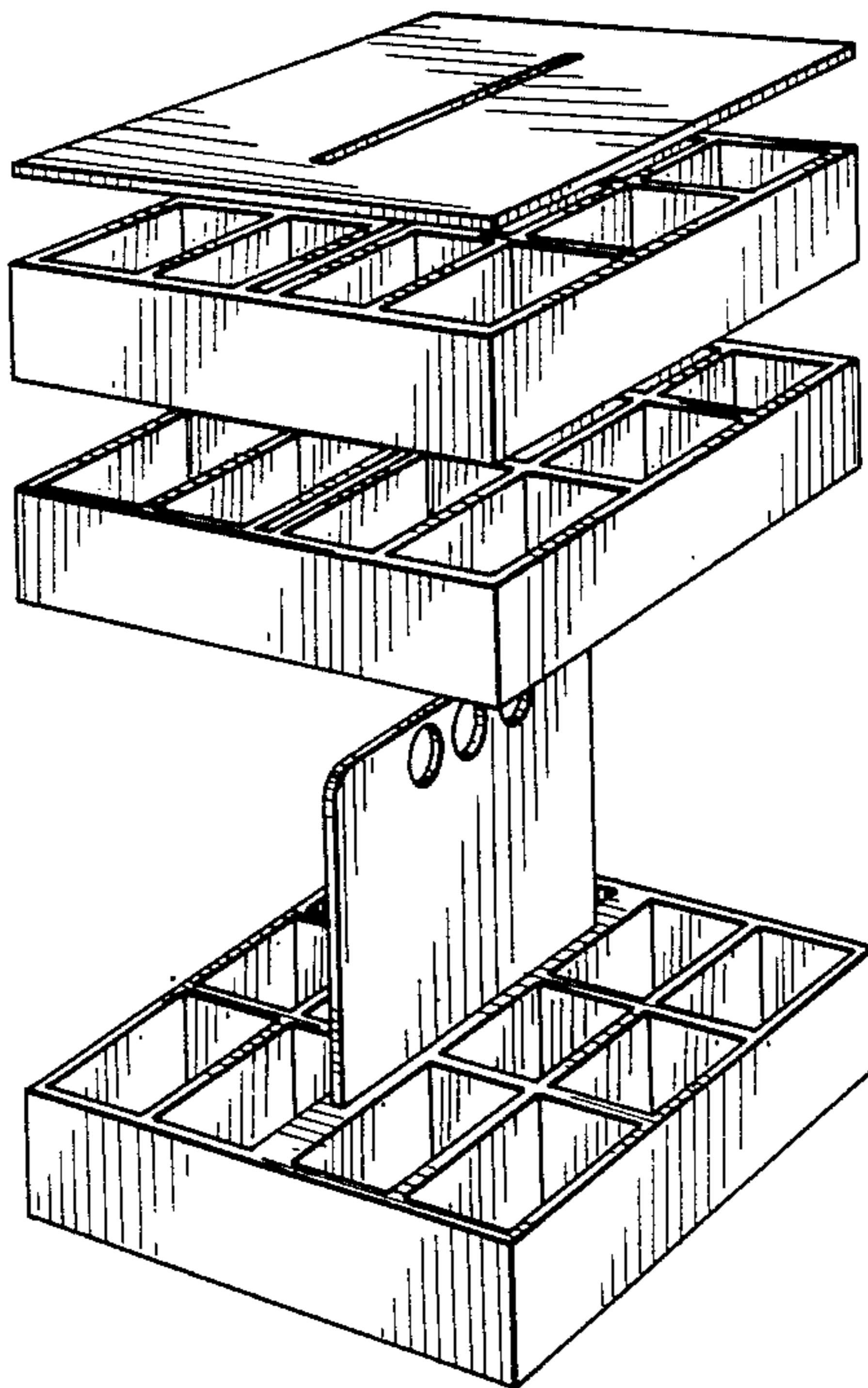
| | | | |
|------------|---------|-----------------|--------|
| D. 216,757 | 3/1970 | Di Pierro | D34/44 |
| 462,242 | 11/1891 | Edgar . | |
| 1,541,672 | 6/1925 | Tulay . | |
| 1,992,435 | 7/1932 | Labadie . | |
| 1,996,300 | 4/1935 | Lindsay . | |
| 2,759,629 | 8/1956 | Sargent . | |
| 2,776,792 | 1/1957 | Pearson . | |

[57] CLAIM

The ornamental design for stackable modular trays or the like, as shown and described.

DESCRIPTION

FIG. 1 is a perspective view of stackable modular trays or the like showing my new design; FIG. 2 is a bottom perspective thereof; and FIG. 3 is an exploded view thereof.



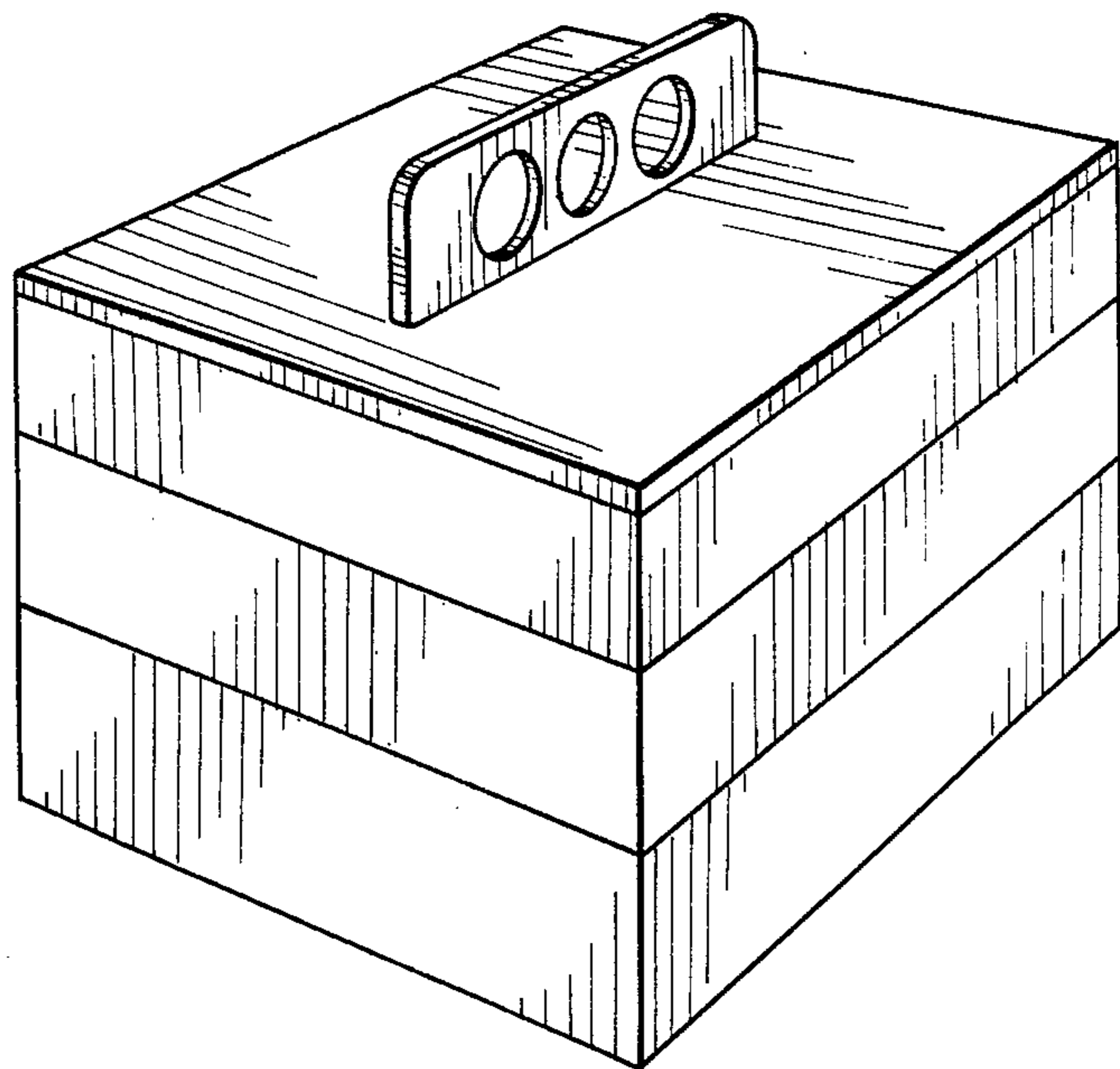


Fig. 1

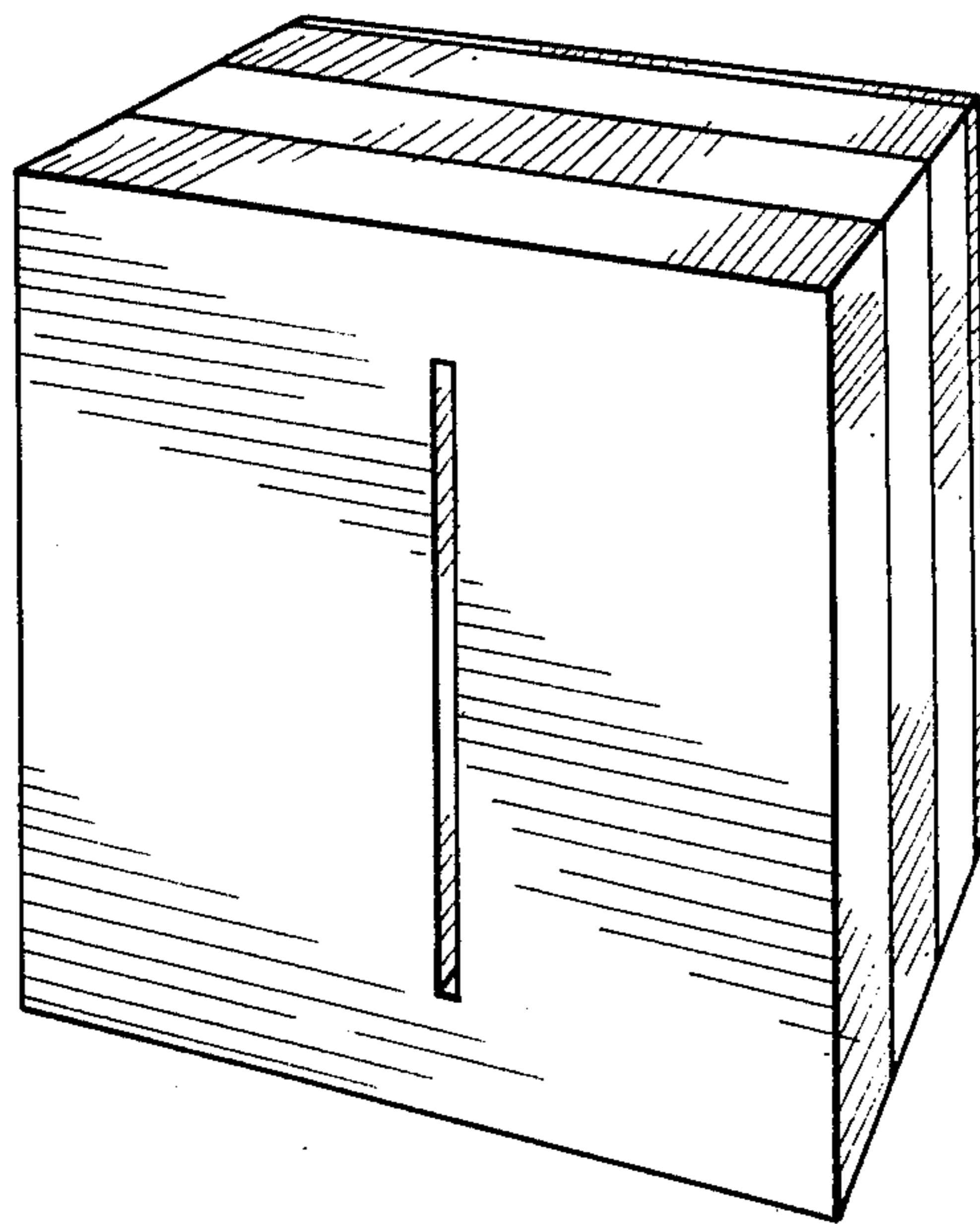


Fig. 2

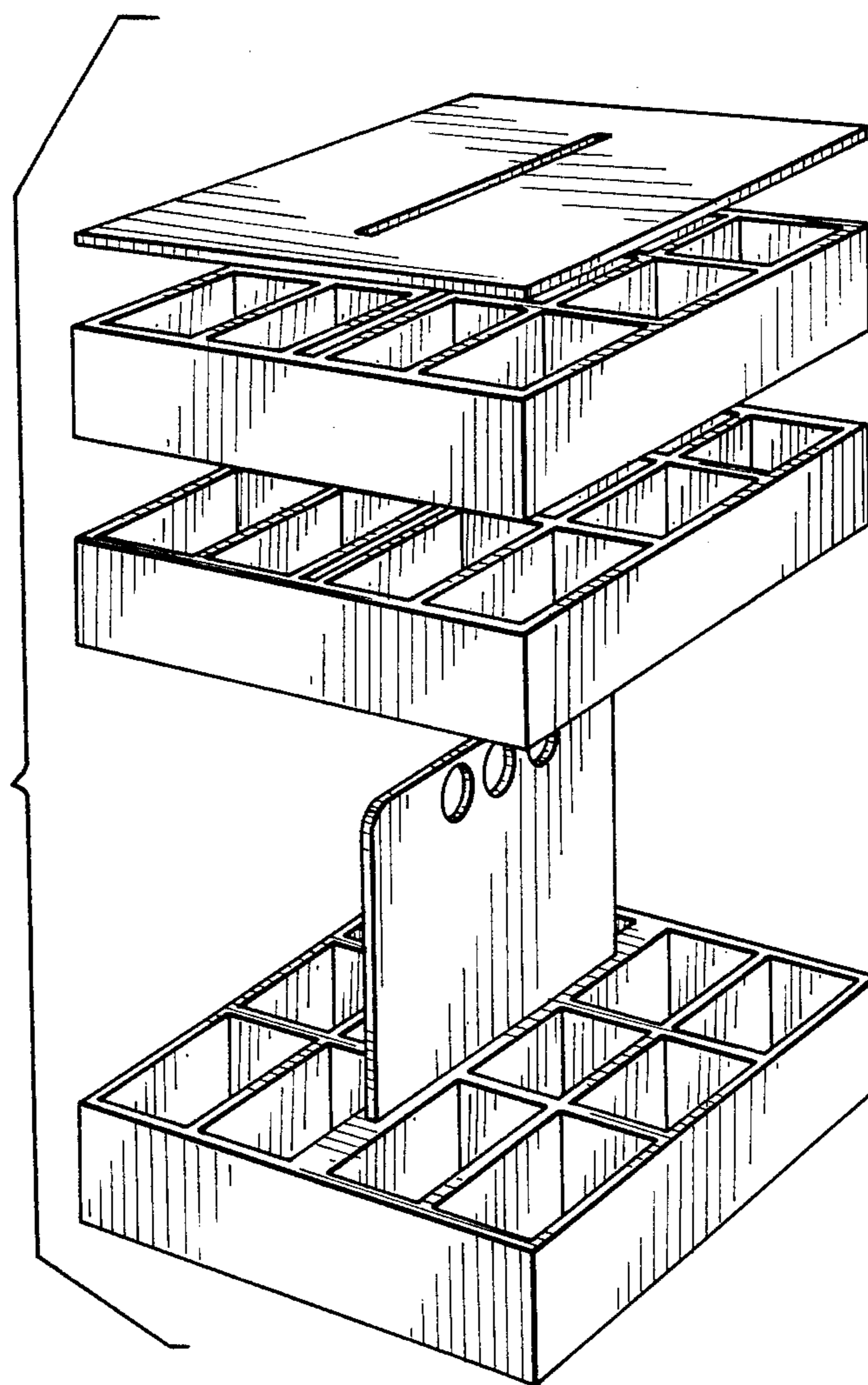


Fig. 3