

[54] MOBILE STORAGE UNIT FOR CLOTHES AND LAUNDERING AIDS

[76] Inventor: Lenonda M. Robinson, 1931 Rodeo Rd. #1, Los Angeles, Calif. 90018

[**] Term: 14 Years

[21] Appl. No.: 117,658

[22] Filed: Nov. 6, 1987

[52] U.S. Cl. D32/35; D32/37; D32/53

[58] Field of Search D21/71; D32/35-37, D32/53-53.1; D34/5, 12-14, 17-19; 220/20; 280/47.19, 47.24, 47.26, 47.34, 47.36; 312/250, 358

[56] References Cited

U.S. PATENT DOCUMENTS

- D. 209,313 11/1967 Appel et al. D21/71
- D. 233,218 10/1974 Lynn D32/53

D. 248,610 7/1978 Schwartz D32/53

FOREIGN PATENT DOCUMENTS

2525500 10/1983 France 220/20

Primary Examiner—Wallace R. Burke
Assistant Examiner—Lavone D. Tabor
Attorney, Agent, or Firm—Jerry T. Kearns

[57] CLAIM

The ornamental design for a mobile storage unit for clothes and laundering aids, as shown and described.

DESCRIPTION

FIG. 1 is a front elevational view of a mobile storage unit for clothes and laundering aids showing my new design;

FIG. 2 is a rear elevational view thereof;

FIG. 3 is a left side elevational view thereof;

FIG. 4 is a right side elevational view thereof;

FIG. 5 is a top plan view thereof; and,

FIG. 6 is a bottom plan view thereof.

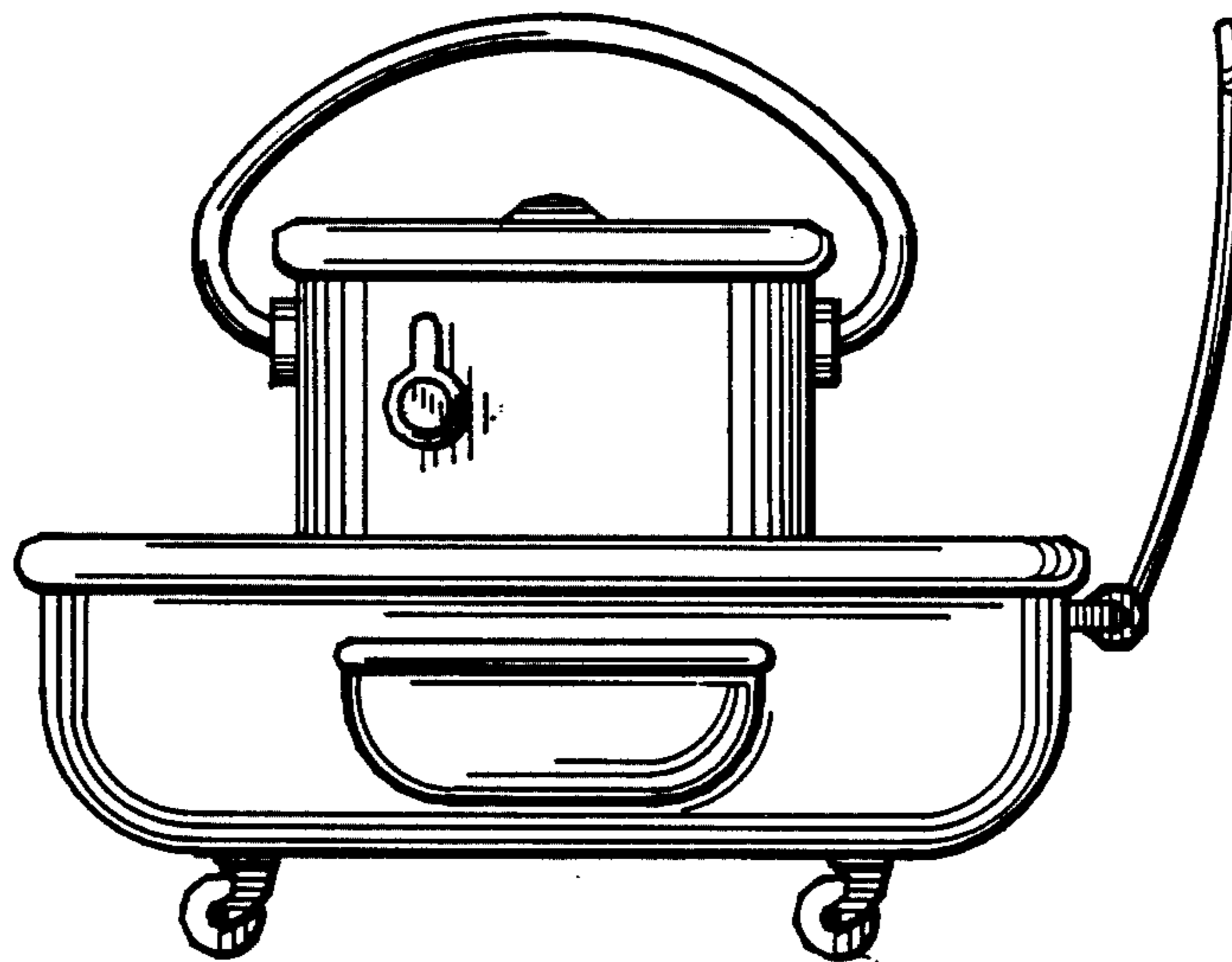


Fig. 1

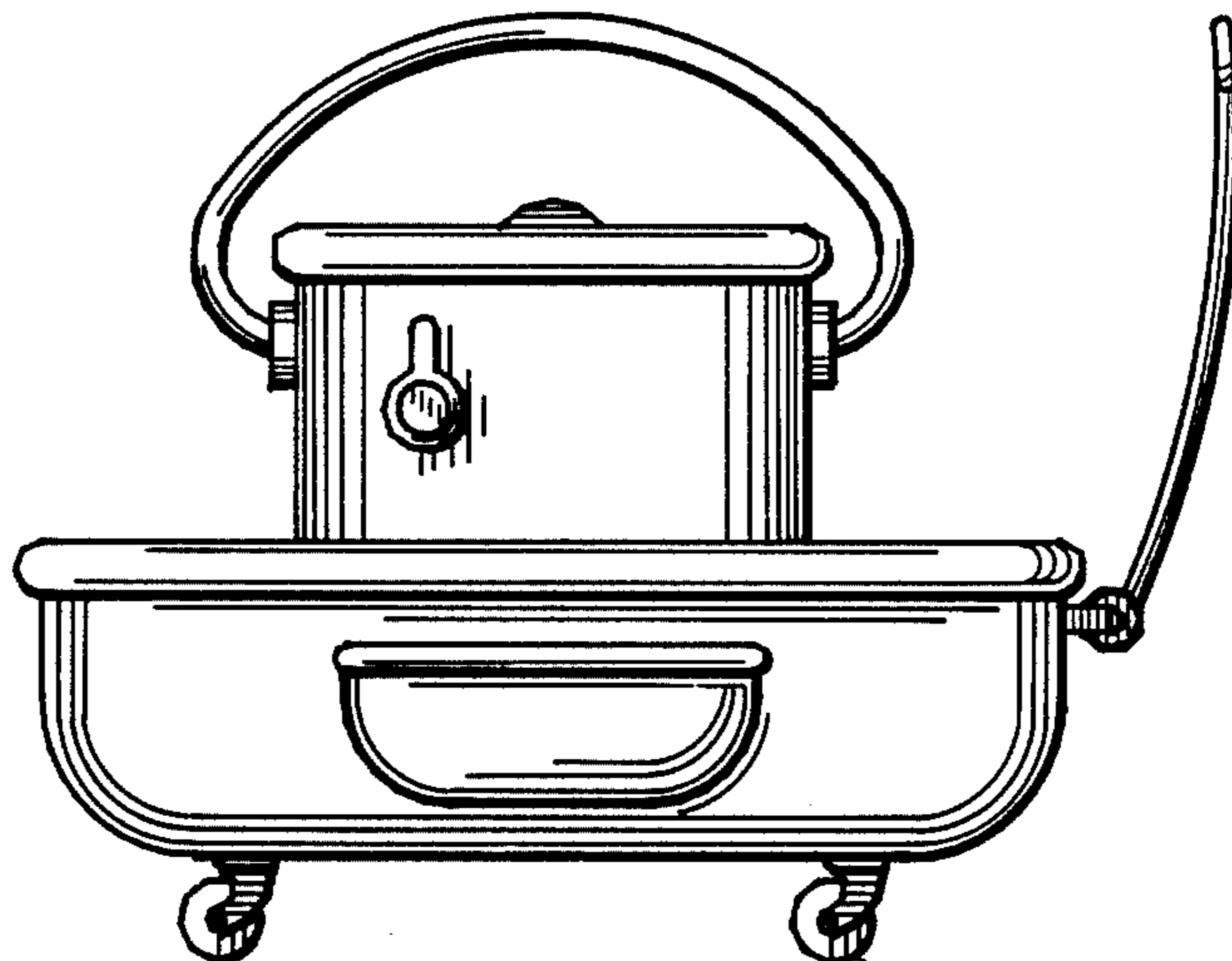


Fig. 2

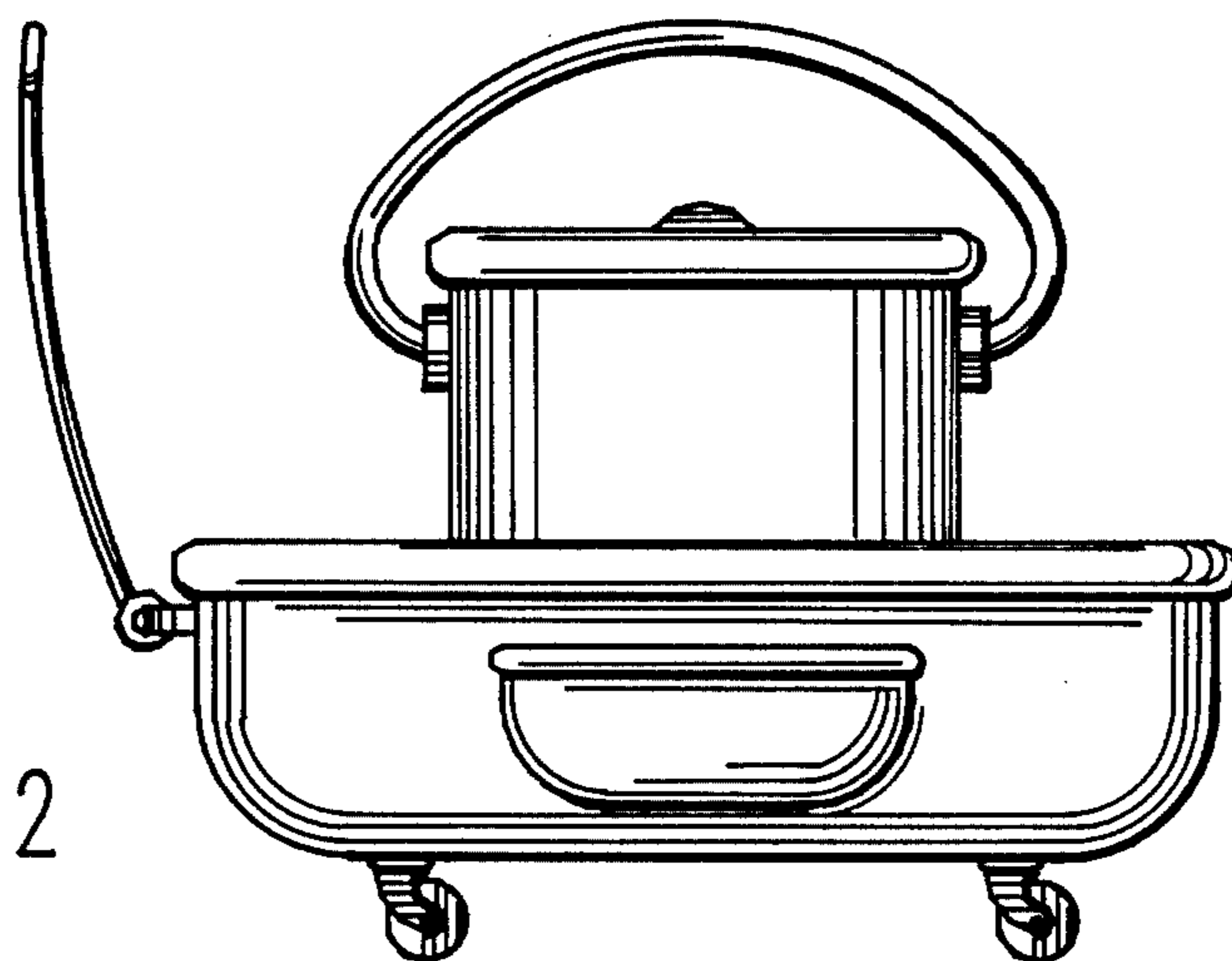


Fig. 3

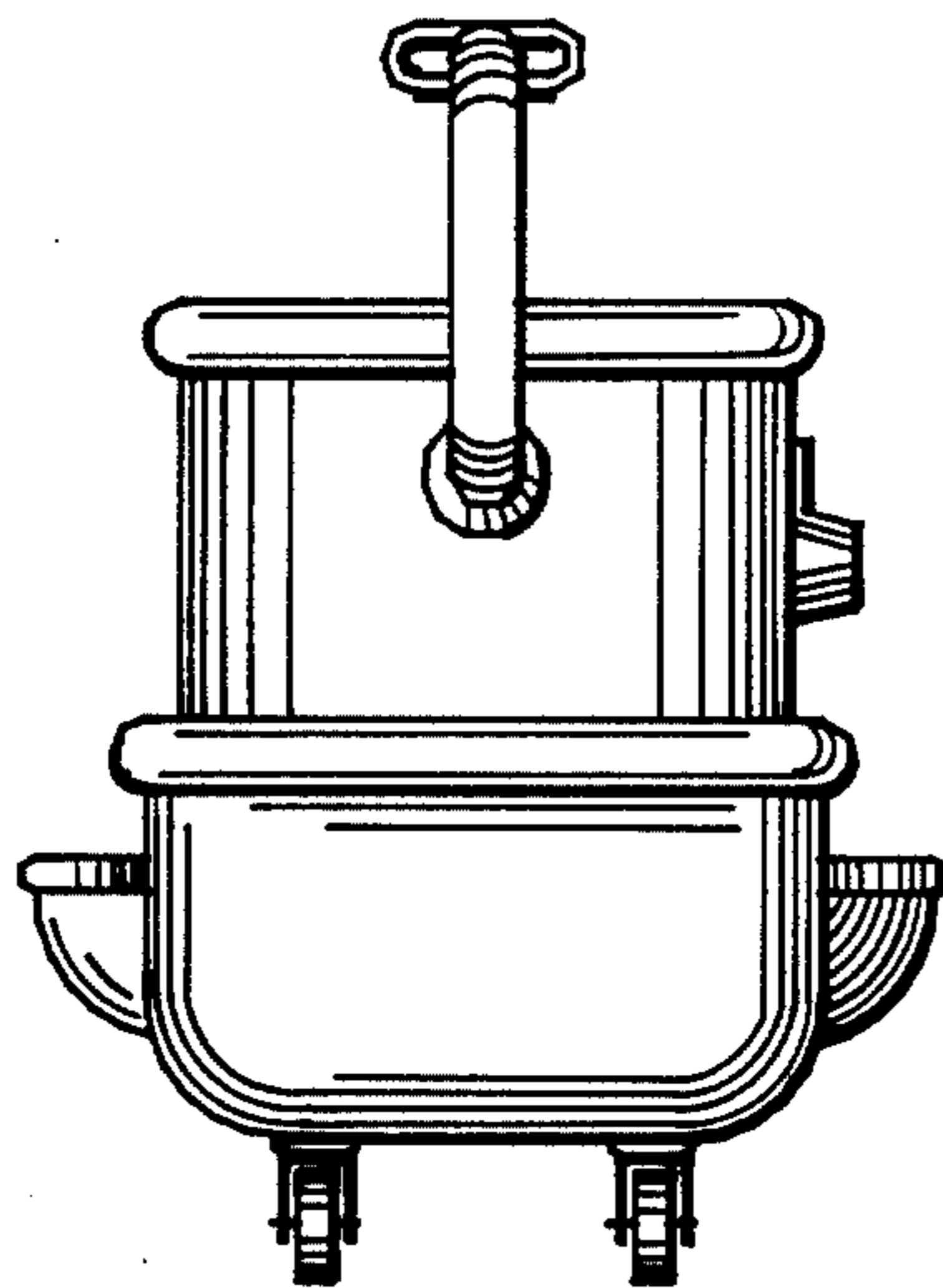
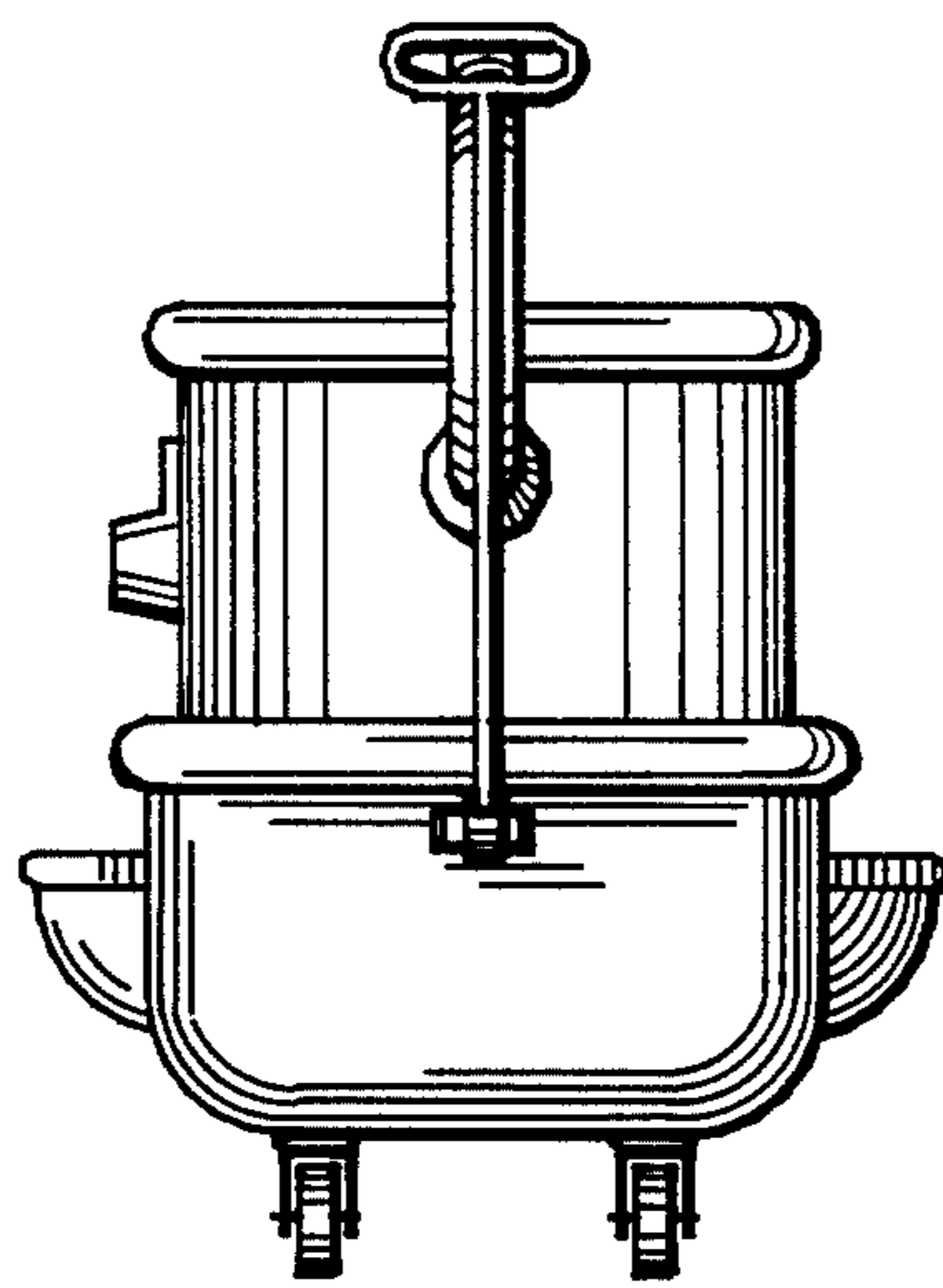


Fig. 4



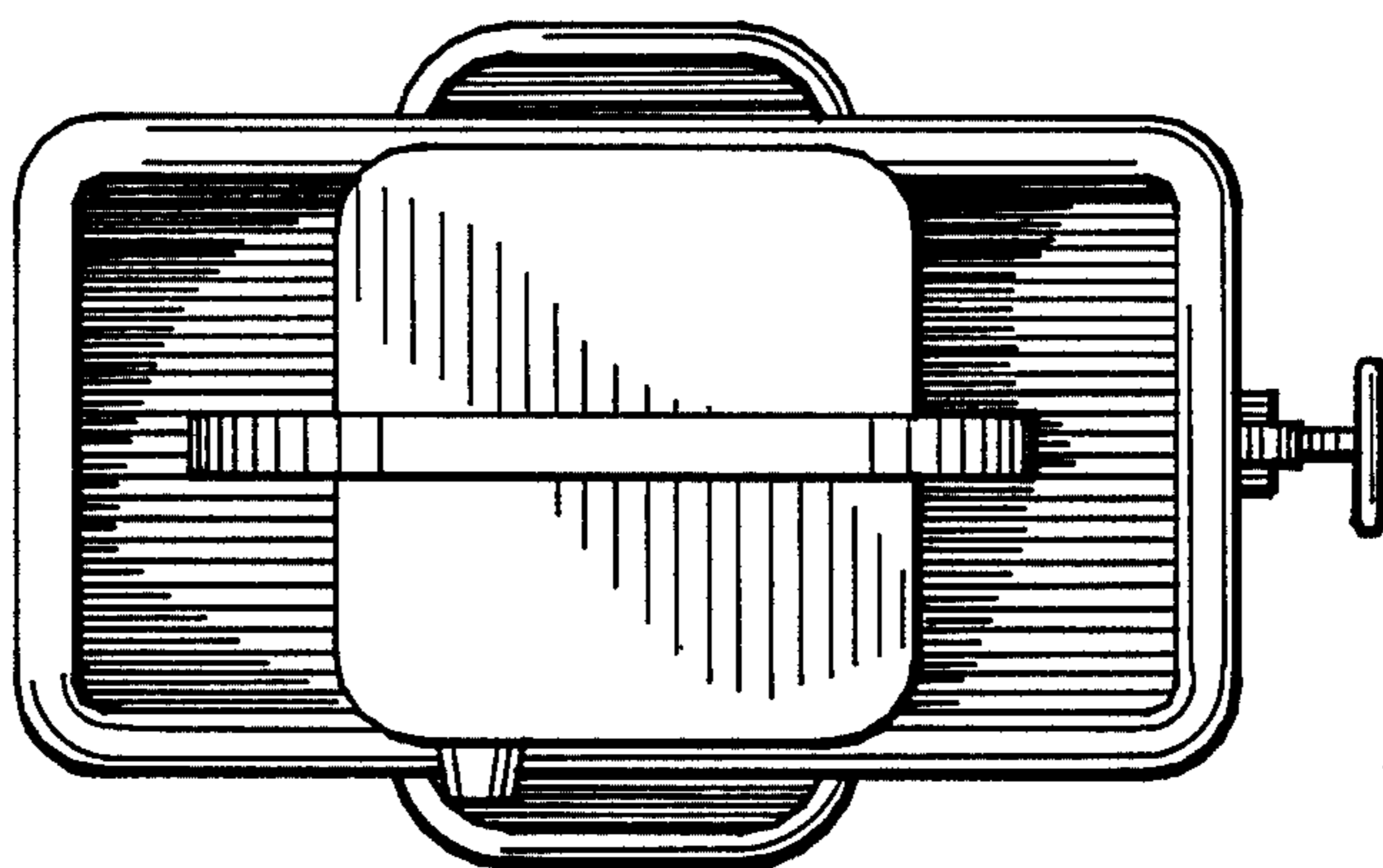


Fig. 5

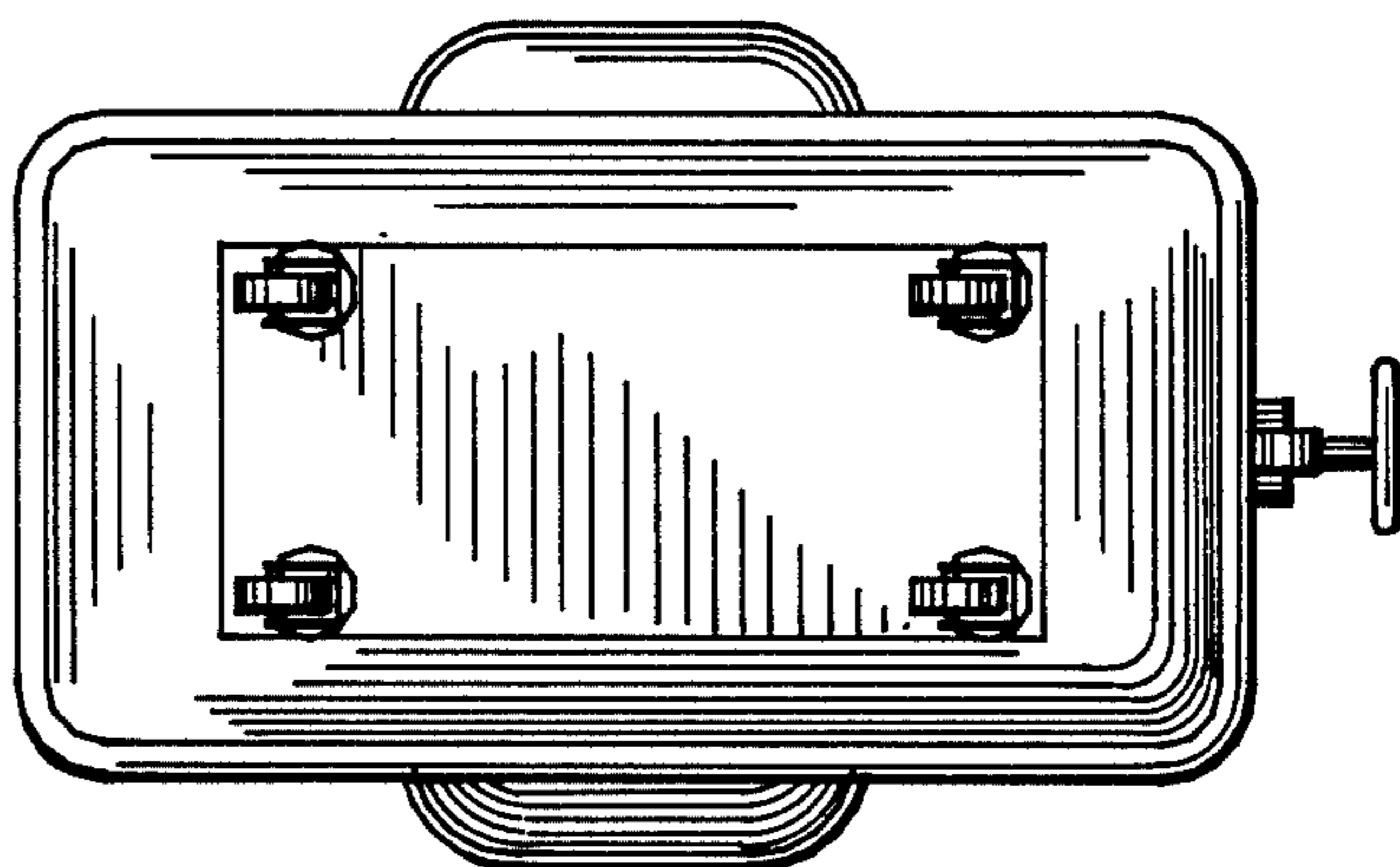


Fig. 6