

[54] HELMET

[76] Inventor: William R. Mast, 18850 E. 114th St. S., Broken Arrow, Okla. 74011

[**] Term: 14 Years

[21] Appl. No.: 51,820

[22] Filed: May 20, 1987

[52] U.S. Cl. D29/12

[58] Field of Search D29/10, 12-19; D2/244, 246; 2/9-10, 410, 421, 423-425

[56] References Cited

U.S. PATENT DOCUMENTS

- D. 216,071 11/1969 Kamata D29/15
- D. 226,596 4/1973 Kamata D29/15
- D. 230,911 3/1974 Ispas D29/15

- D. 296,719 7/1988 Lester D29/15
- 3,283,336 11/1966 Critser 2/9

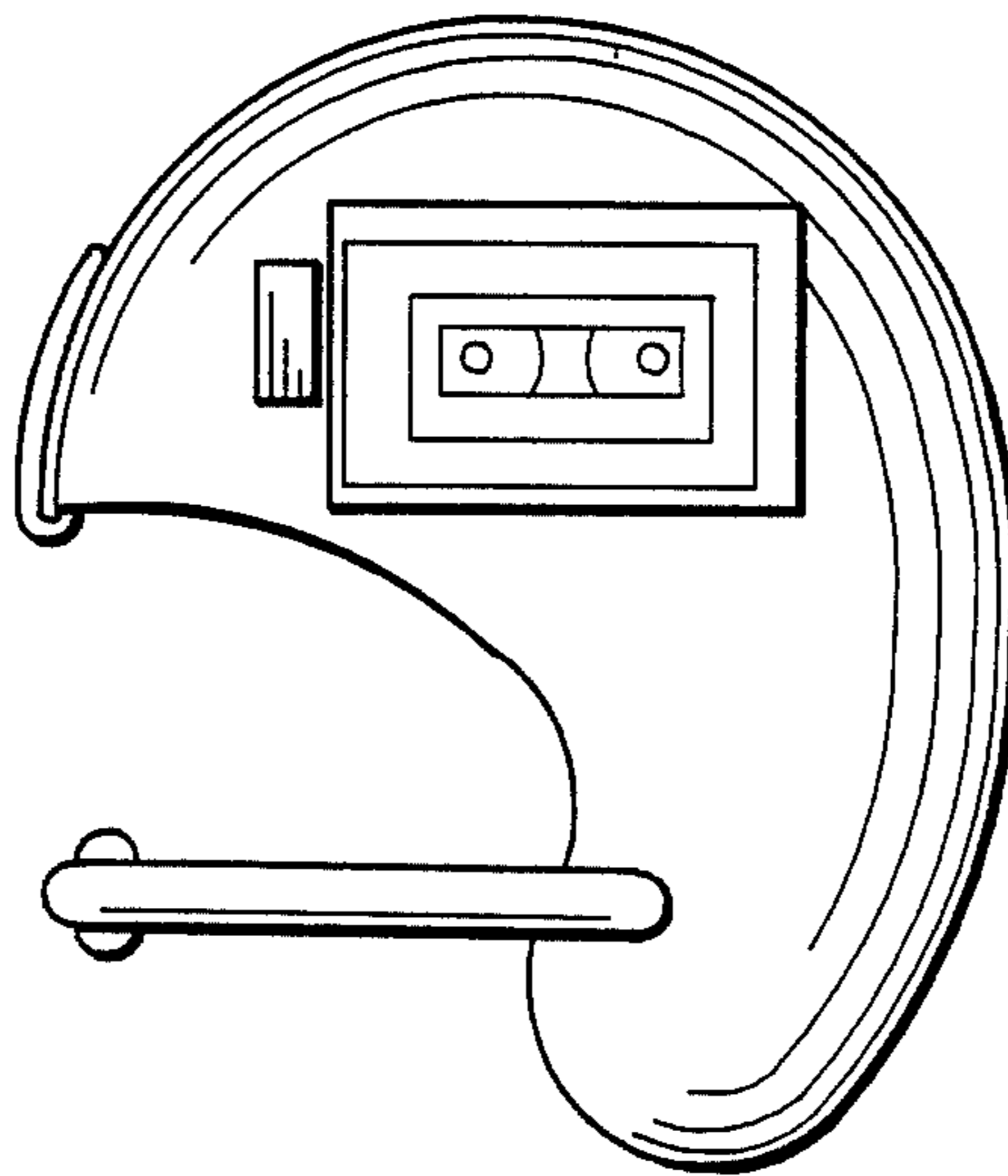
Primary Examiner—A. Hugo Word
Assistant Examiner—Ruth McInroy
Attorney, Agent, or Firm—Jerry T. Kearns

[57] CLAIM

The ornamental design for a helmet, as shown and described.

DESCRIPTION

FIG. 1 is a front elevational view of a helmet showing my new design;
FIG. 2 is a rear elevational view thereof;
FIG. 3 is a left side elevational view thereof;
FIG. 4 is a right side elevational view thereof;
FIG. 5 is a top plan view thereof; and,
FIG. 6 is a bottom plan view thereof.



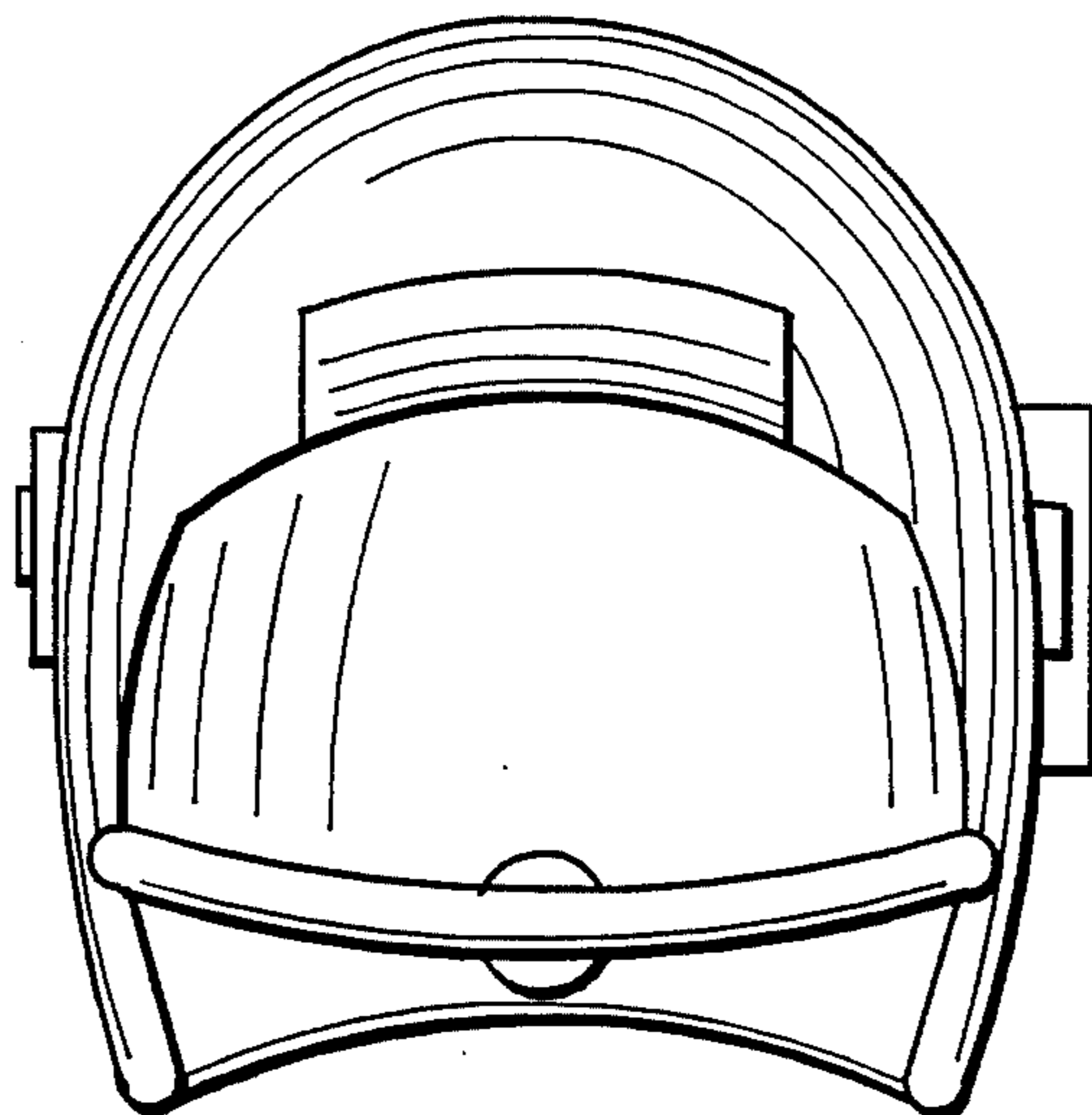


Fig. 1

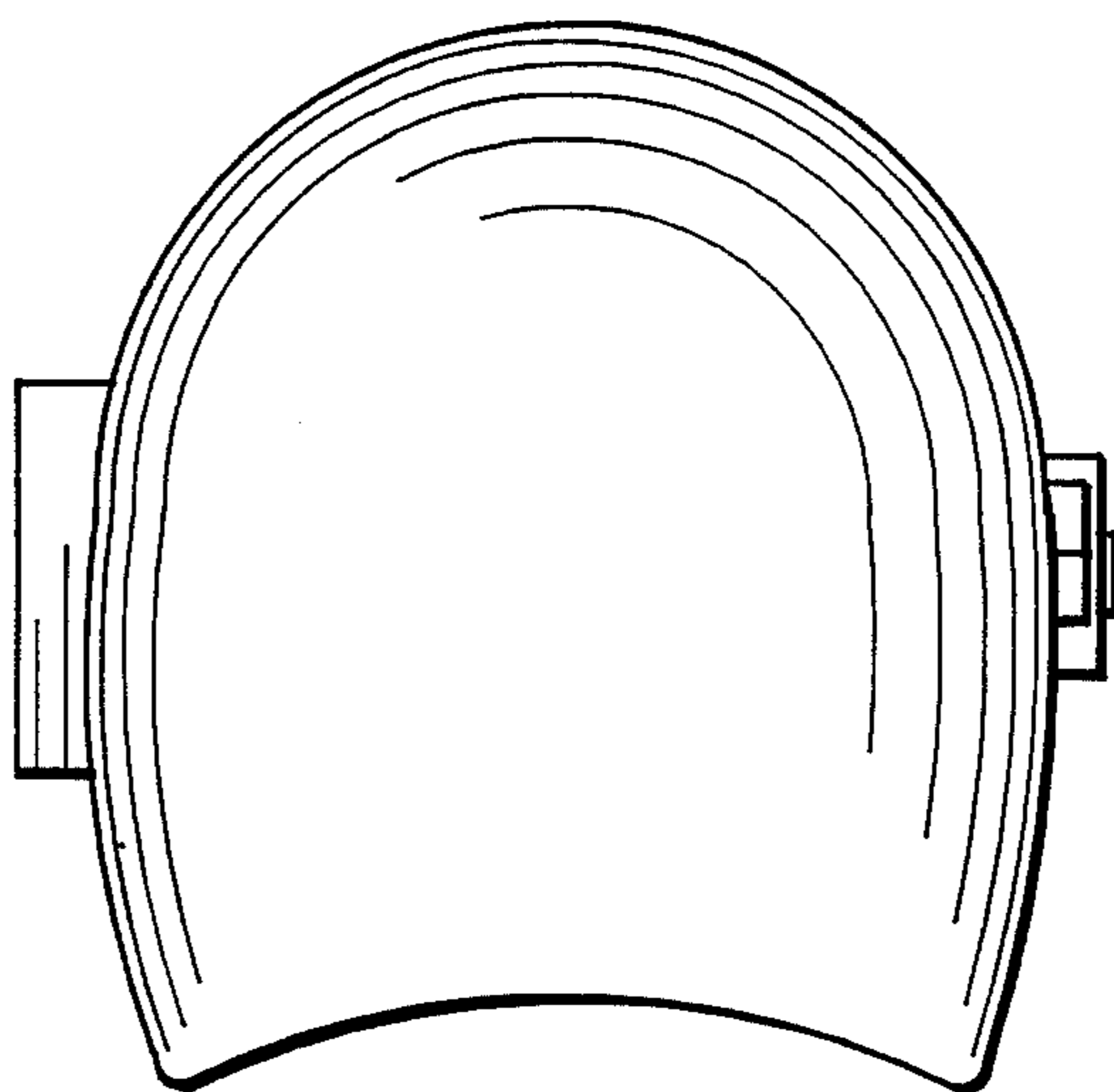


Fig. 2

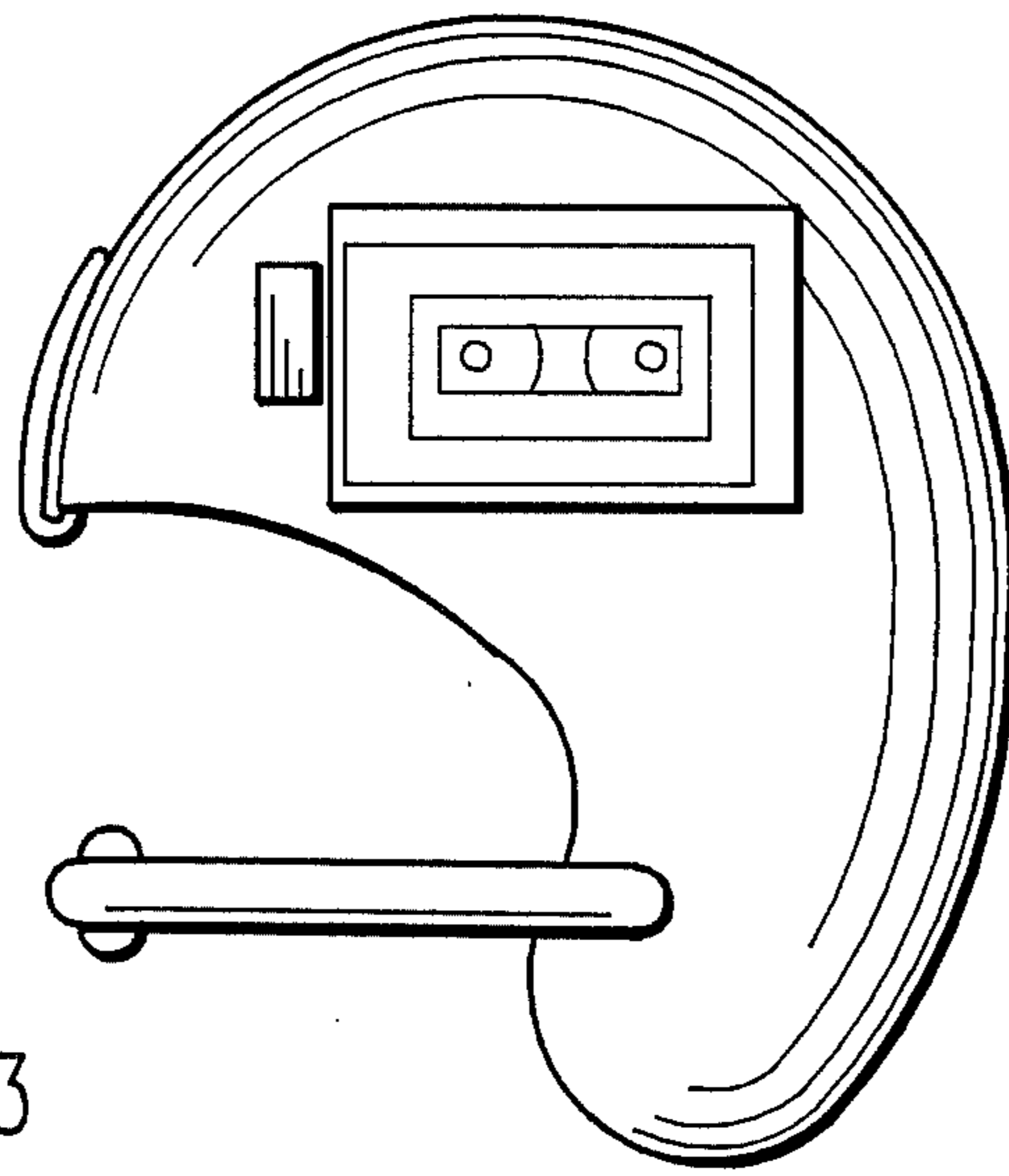


Fig. 3

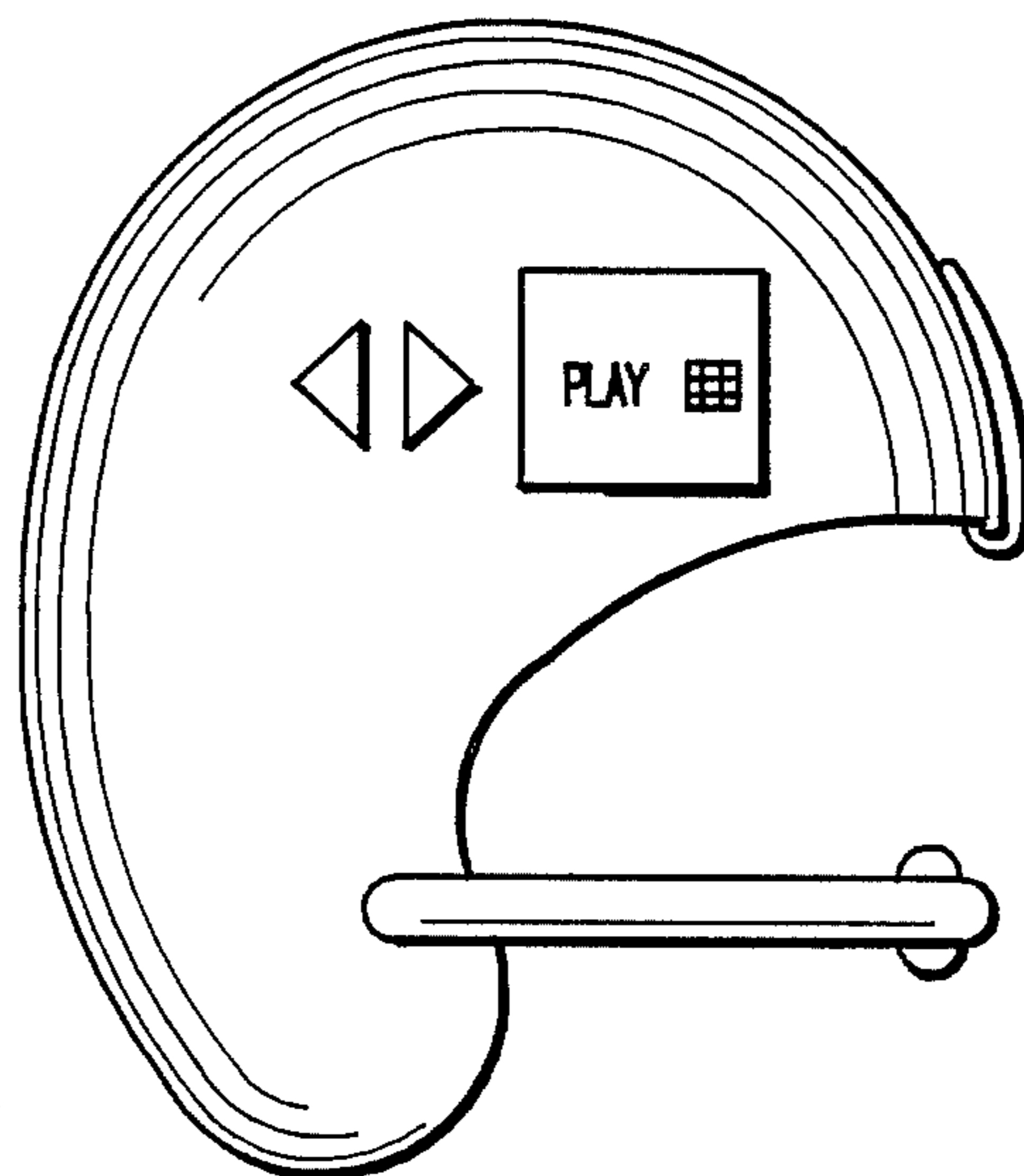


Fig. 4

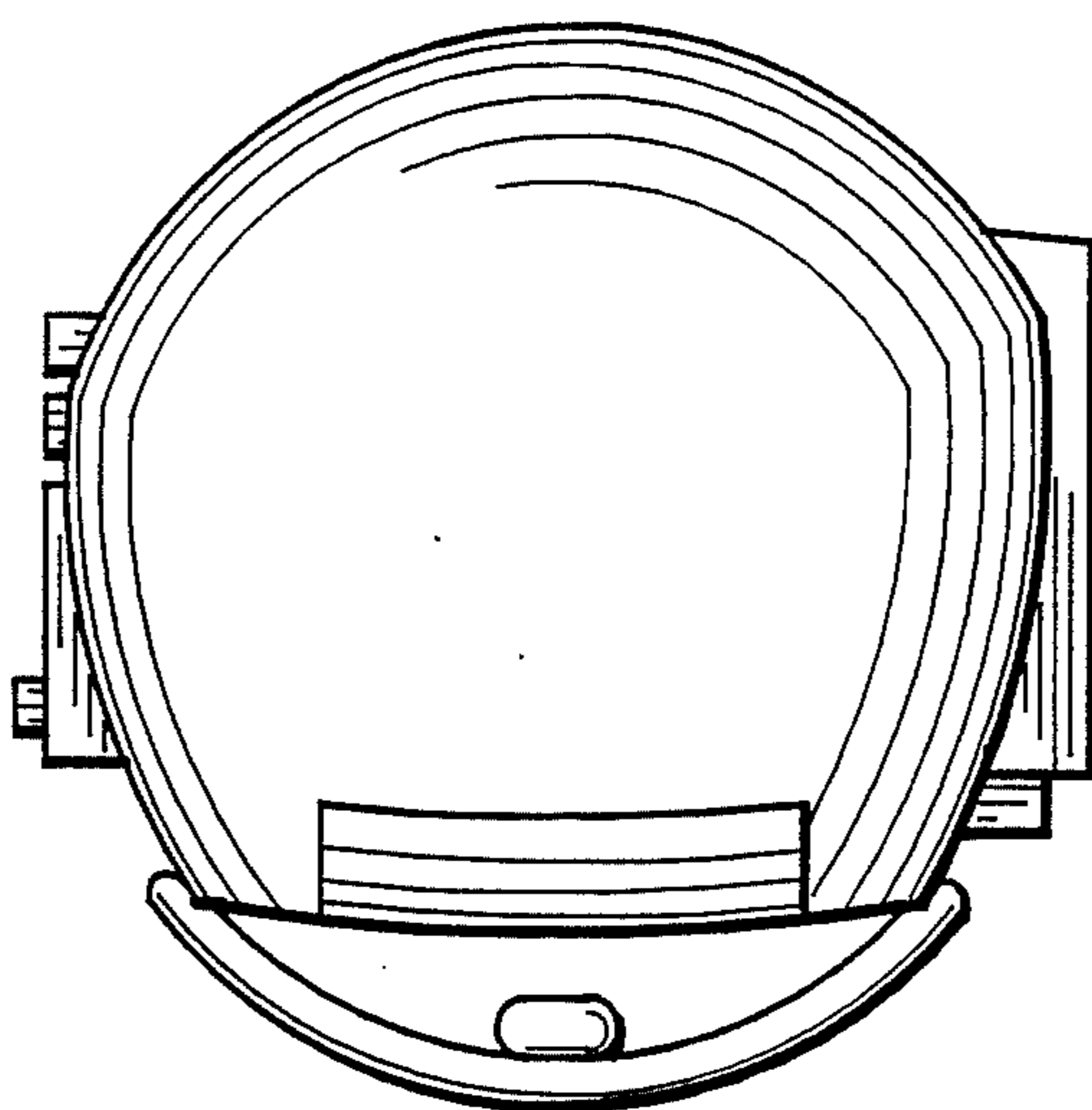


Fig. 5

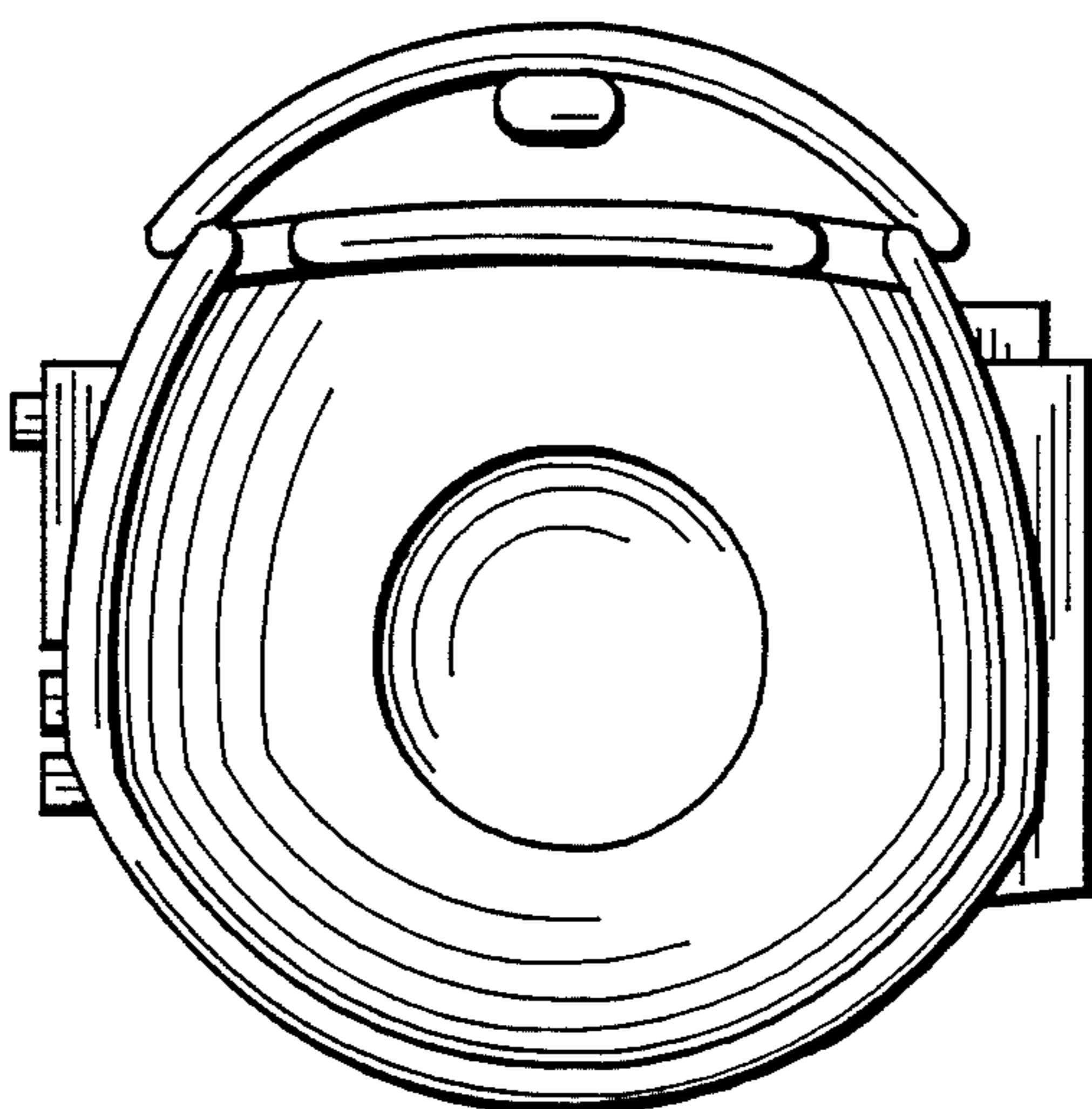


Fig. 6