

[54] **DECK LIGHT**

[75] **Inventor:** Mark L. Hanson, Golden Valley, Minn.

[73] **Assignee:** MinnFac, Inc., Golden Valley, Minn.

[\*\*] **Term:** 14 Years

[21] **Appl. No.:** 116,542

[22] **Filed:** Nov. 4, 1987

[52] **U.S. Cl.** ..... D26/68; D26/72; D26/93

[58] **Field of Search** ..... D26/67-71, D26/93, 102-110, 72, 80-92; 362/431, 432; 410/267, 147; 414/362

[56] **References Cited**

**U.S. PATENT DOCUMENTS**

- D. 236,653 9/1975 Stewart ..... D26/68
- D. 301,757 6/1989 Hanson ..... D26/68

**OTHER PUBLICATIONS**

Silvray "Lighting for Outdoor Living" catalog, 1964, back cover, Outdoor Light.

Woodform "Contemporary Outdoor Lighting" catalog, ©1985, p. 3, Post Mount Lighting #3175.

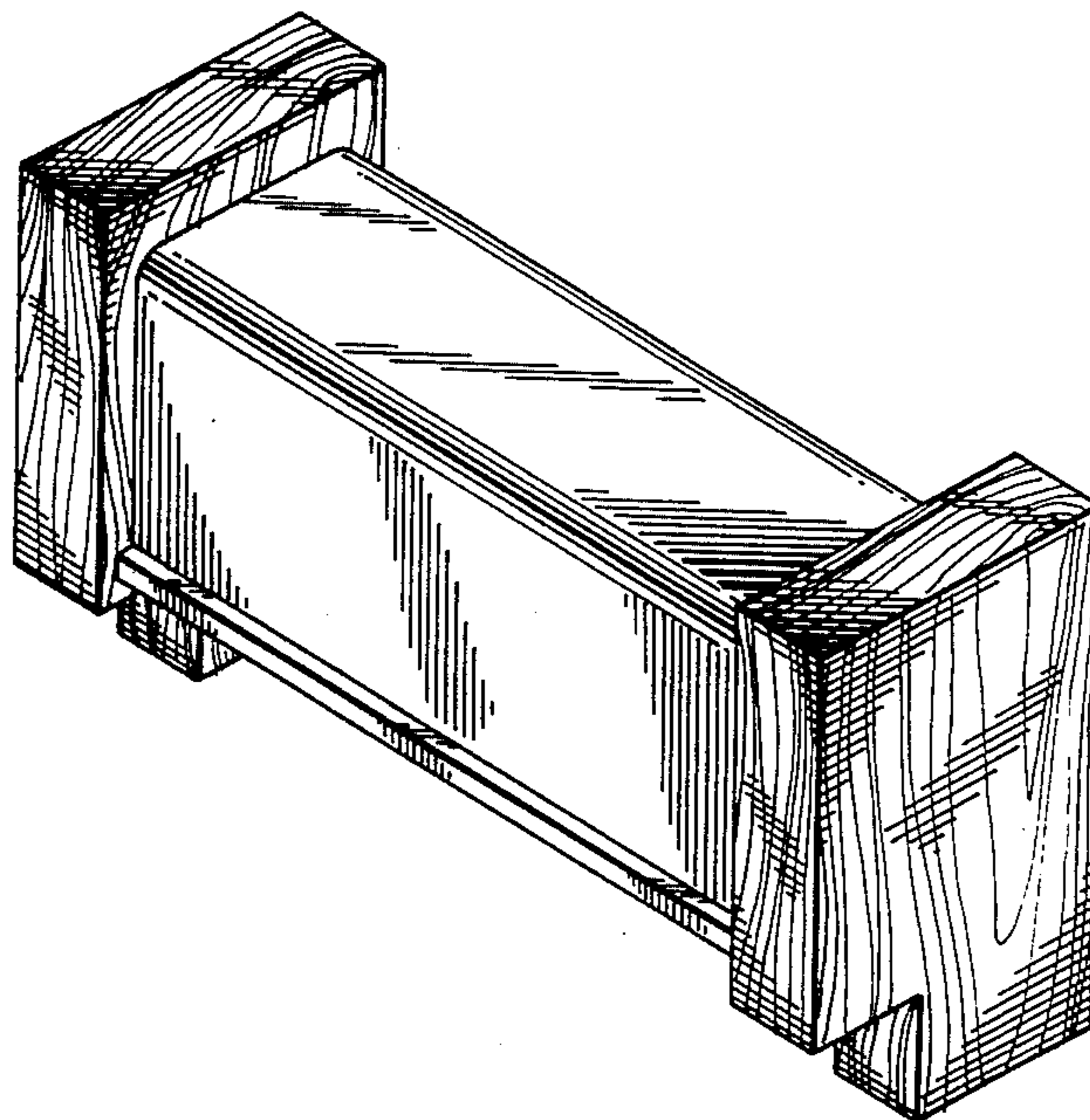
*Primary Examiner*—Susan J. Lucas  
*Attorney, Agent, or Firm*—Kinney & Lange

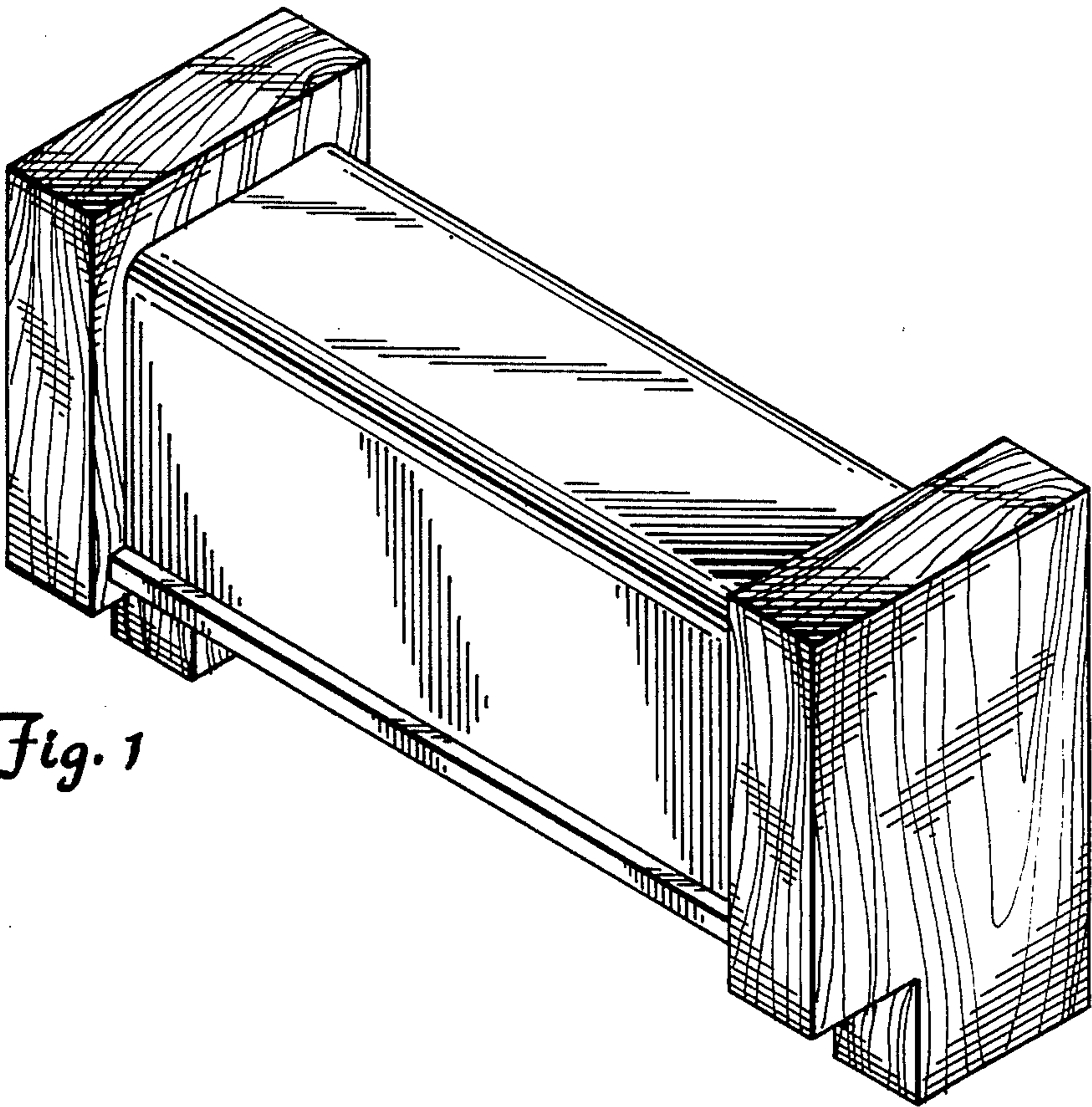
[57] **CLAIM**

The ornamental design for a deck light, as shown and described.

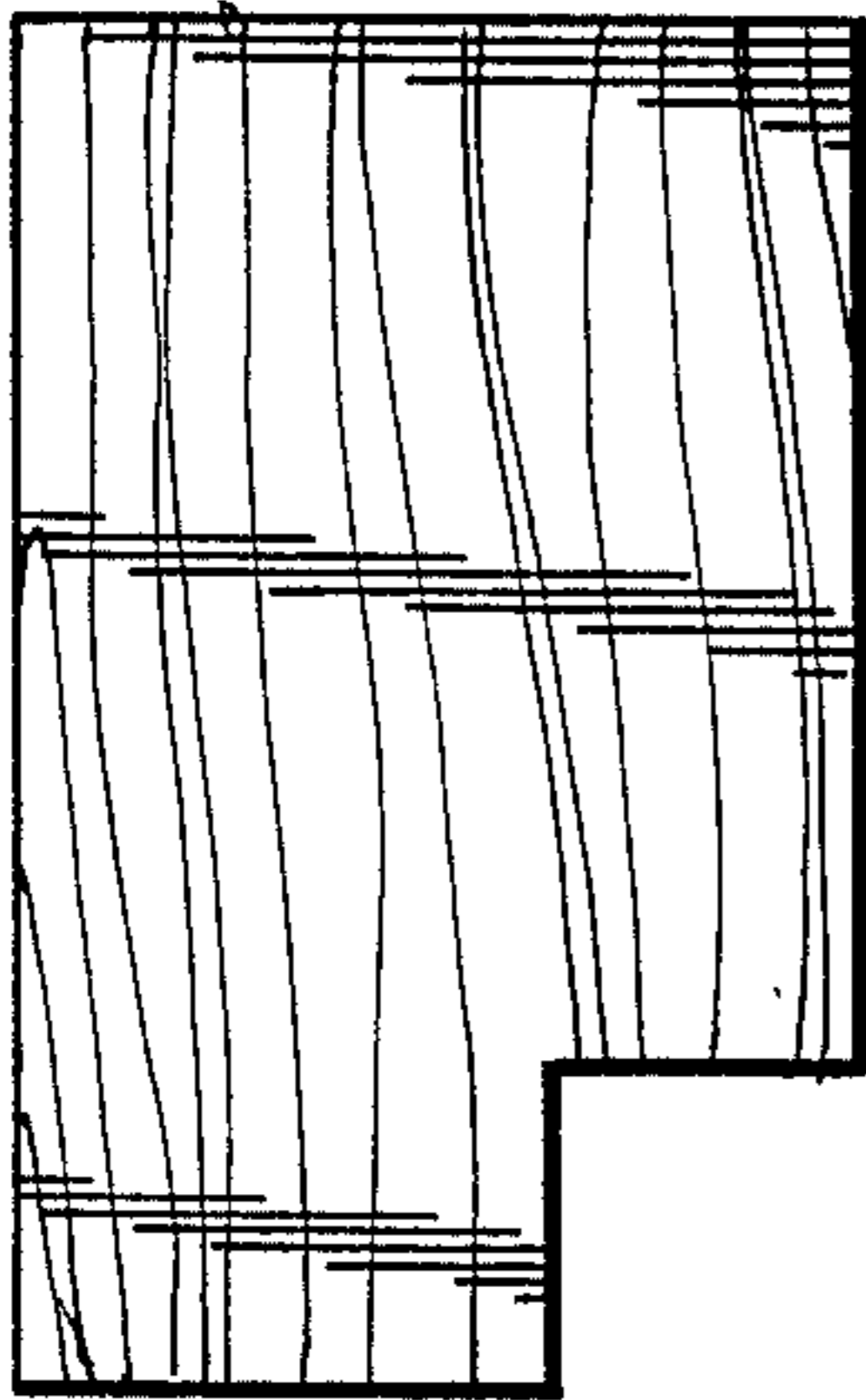
**DESCRIPTION**

FIG. 1 is a top, front, right side perspective view of a deck light showing my new design;  
 FIG. 2 is a left side elevational view thereof;  
 FIG. 3 is front elevational view thereof;  
 FIG. 4 is a rear elevational view thereof;  
 FIG. 5 is a top plan view thereof;  
 FIG. 6 is a bottom plan view thereof.

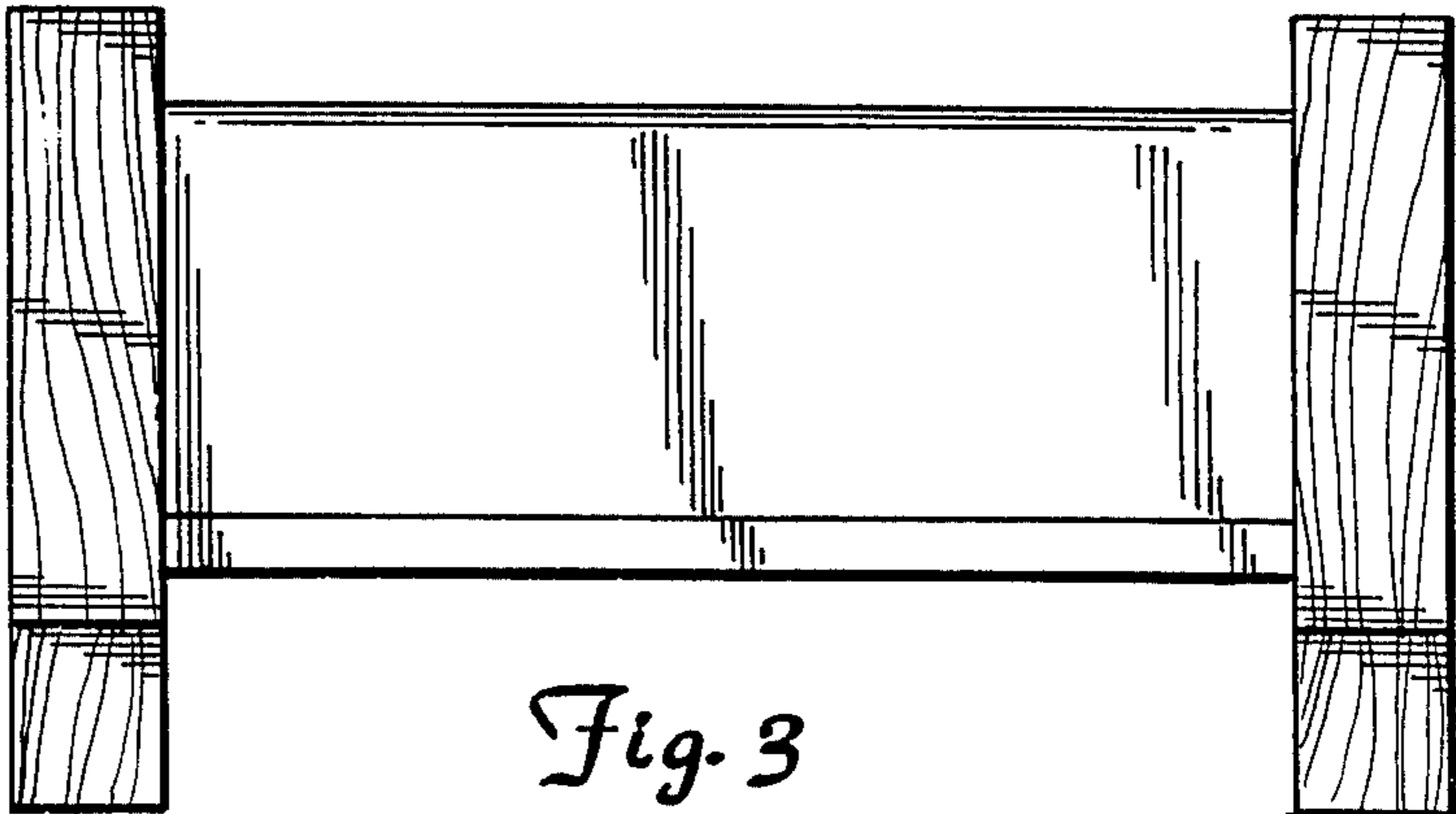




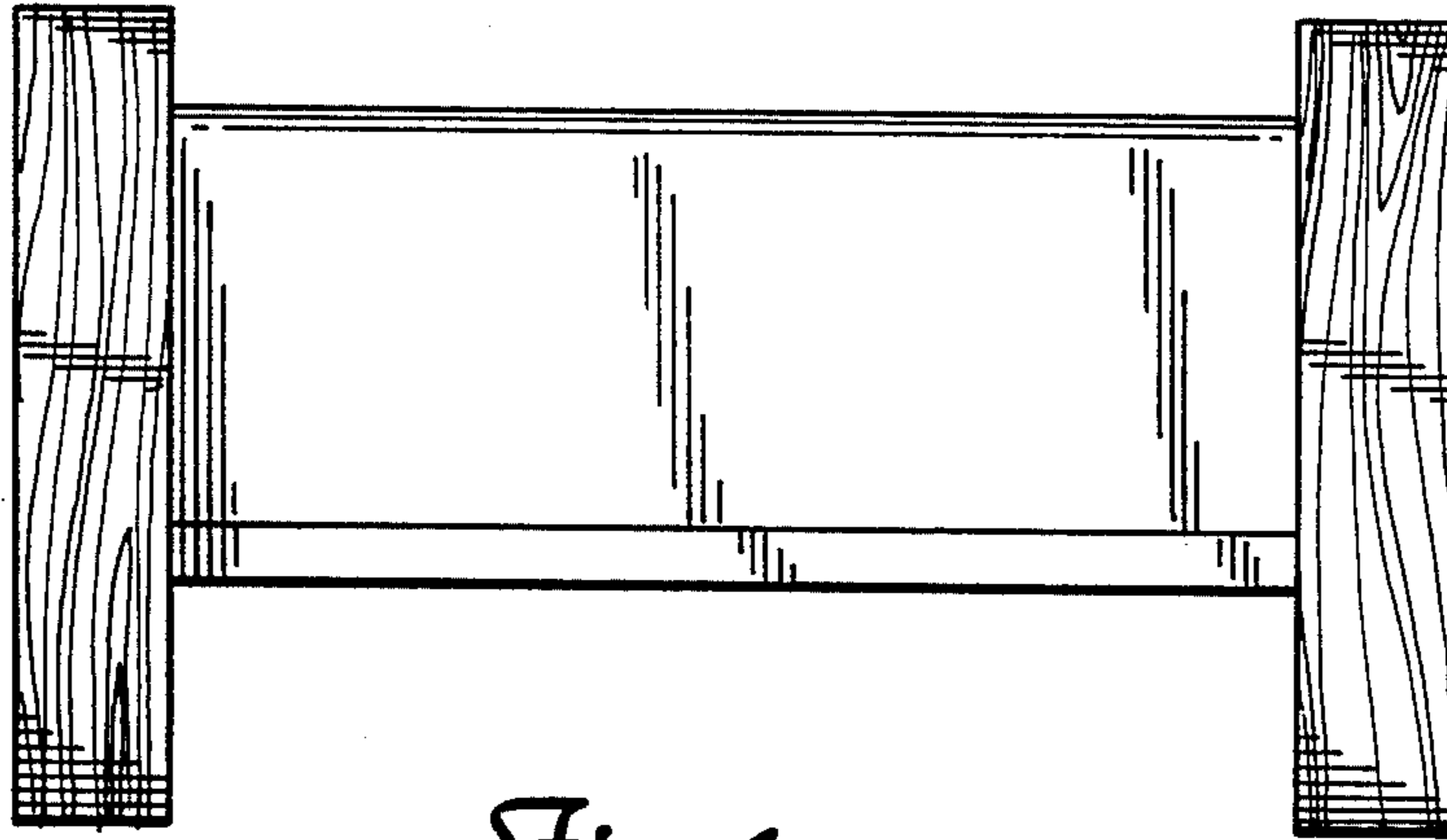
*Fig. 1*



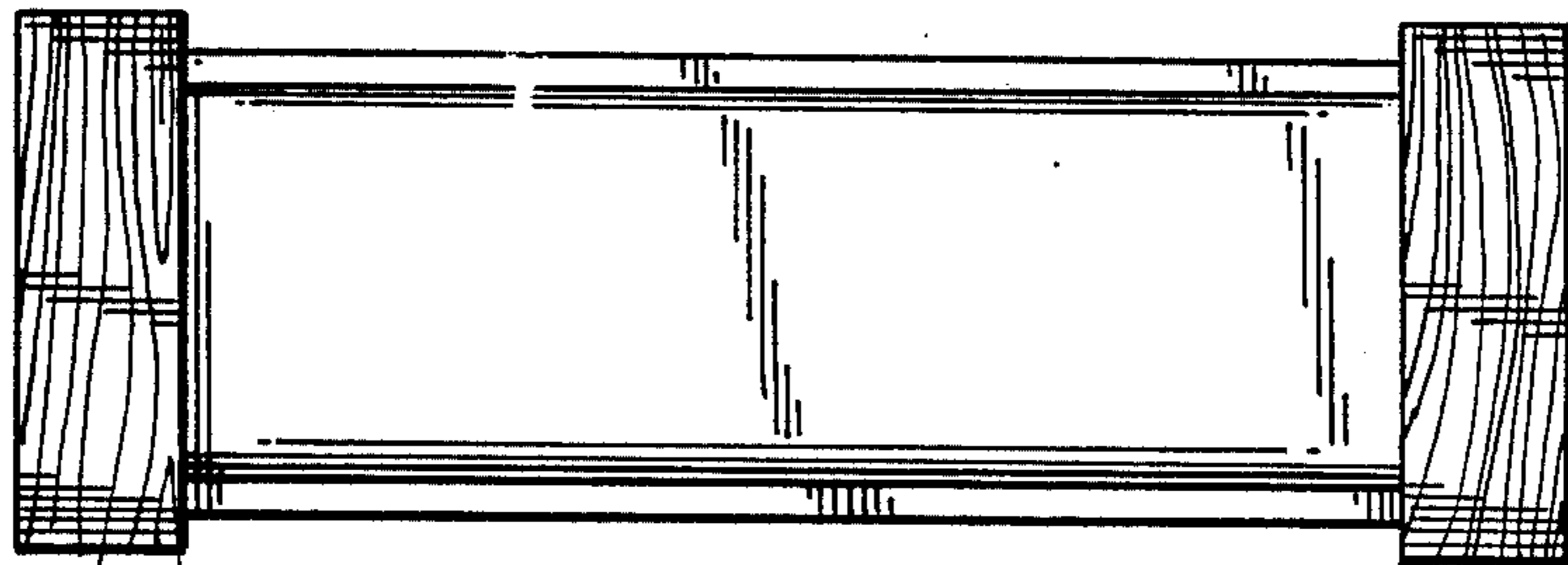
*Fig. 2*



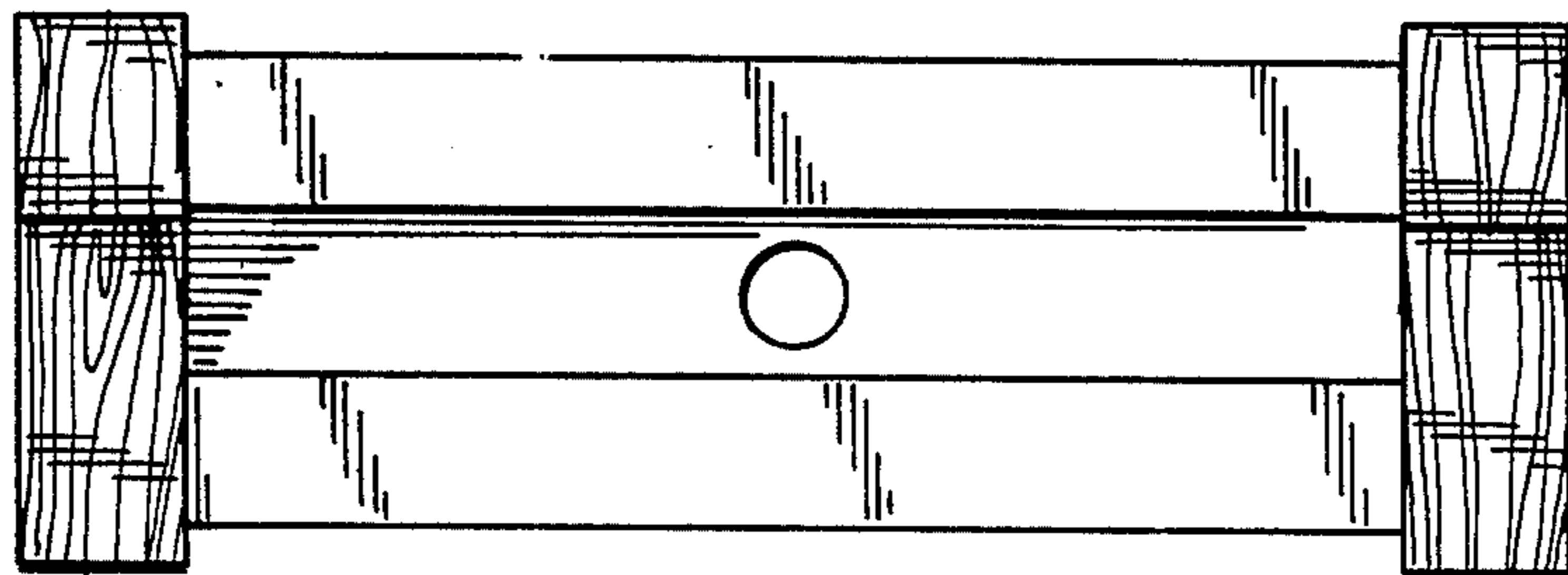
*Fig. 3*



*Fig. 4*



*Fig. 5*



*Fig. 6*