

[54] HINGE FOR LADDERS AND THE LIKE

[75] Inventors: Harold R. Wing, Springville; Kenneth C. Cluff, Orem, both of Utah

[73] Assignee: Wing Enterprises, Inc., Springville, Utah

[**] Term: 14 Years

[21] Appl. No.: 248,471

[22] Filed: Sep. 23, 1988

[52] U.S. Cl. D25/68; D8/323

[58] Field of Search D25/64, 68; D8/323, D8/324; 182/165, 173, 174; 403/96, 92

[56] References Cited

U.S. PATENT DOCUMENTS

4,602,889	7/1986	Mu-Shan	403/96
4,666,327	5/1987	Su	403/96
4,824,278	4/1989	Chang	403/96

Primary Examiner—A. Hugo Word
Assistant Examiner—Doris Clark
Attorney, Agent, or Firm—Thorpe, North & Western

[57] CLAIM

The ornamental design for hinge for ladders and the like, as shown and described.

DESCRIPTION

FIG. 1 is a perspective view of a hinge for ladders and the like showing our new design, the showing of a ladder or portion thereof is for illustrative purposes only and forms no part of the claimed design;

FIG. 2 is an elevational view of one side thereof;

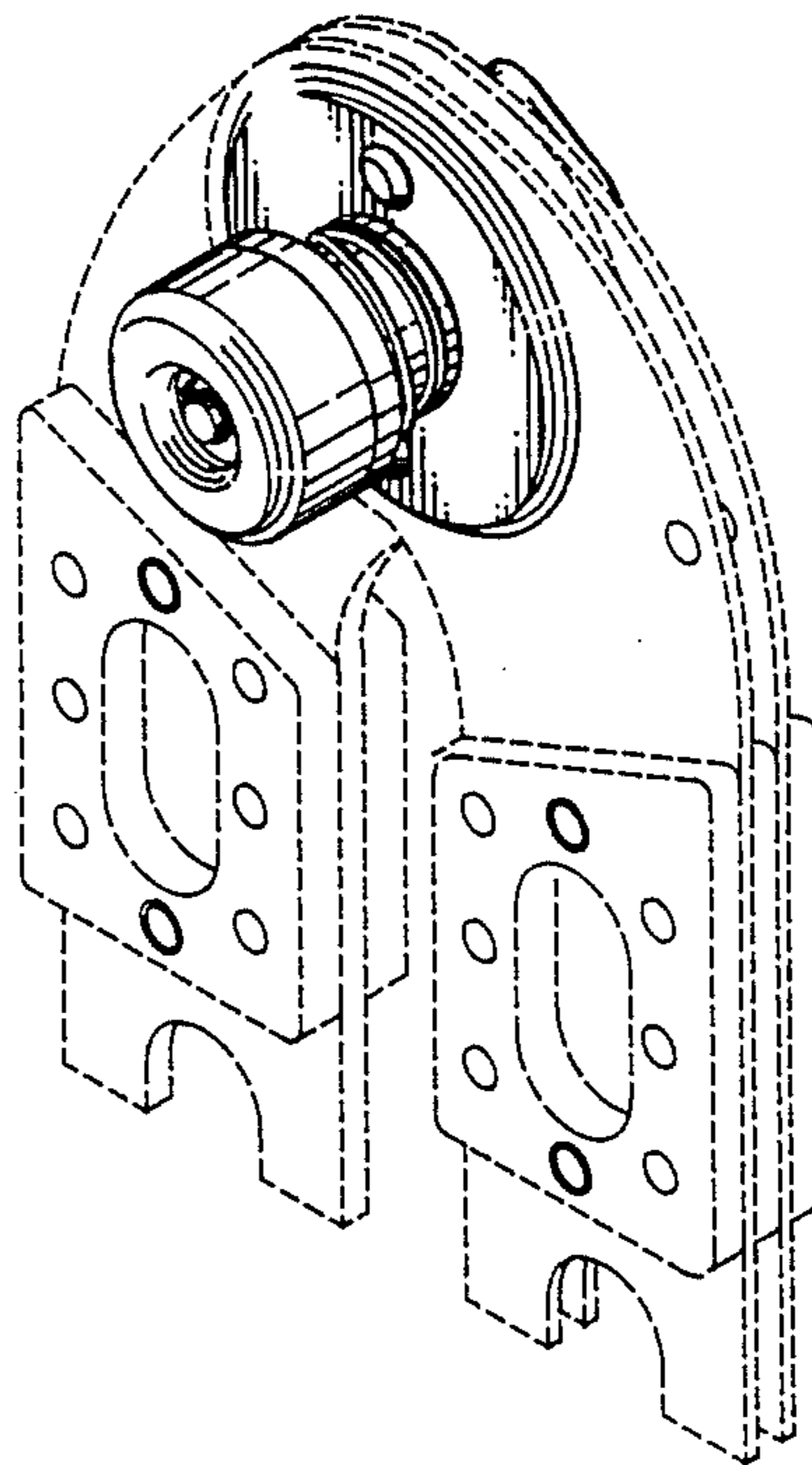
FIG. 3 is an elevational view of the other side thereof;

FIG. 4 is a top plan view thereof;

FIG. 5 is a front elevational view, with the rear elevational view being a mirror image thereof; and

FIG. 6 is a bottom plan view thereof.

The showing of a ladder or portion thereof in broken lines in FIGS. 1 through 6 is for illustrative purposes only.



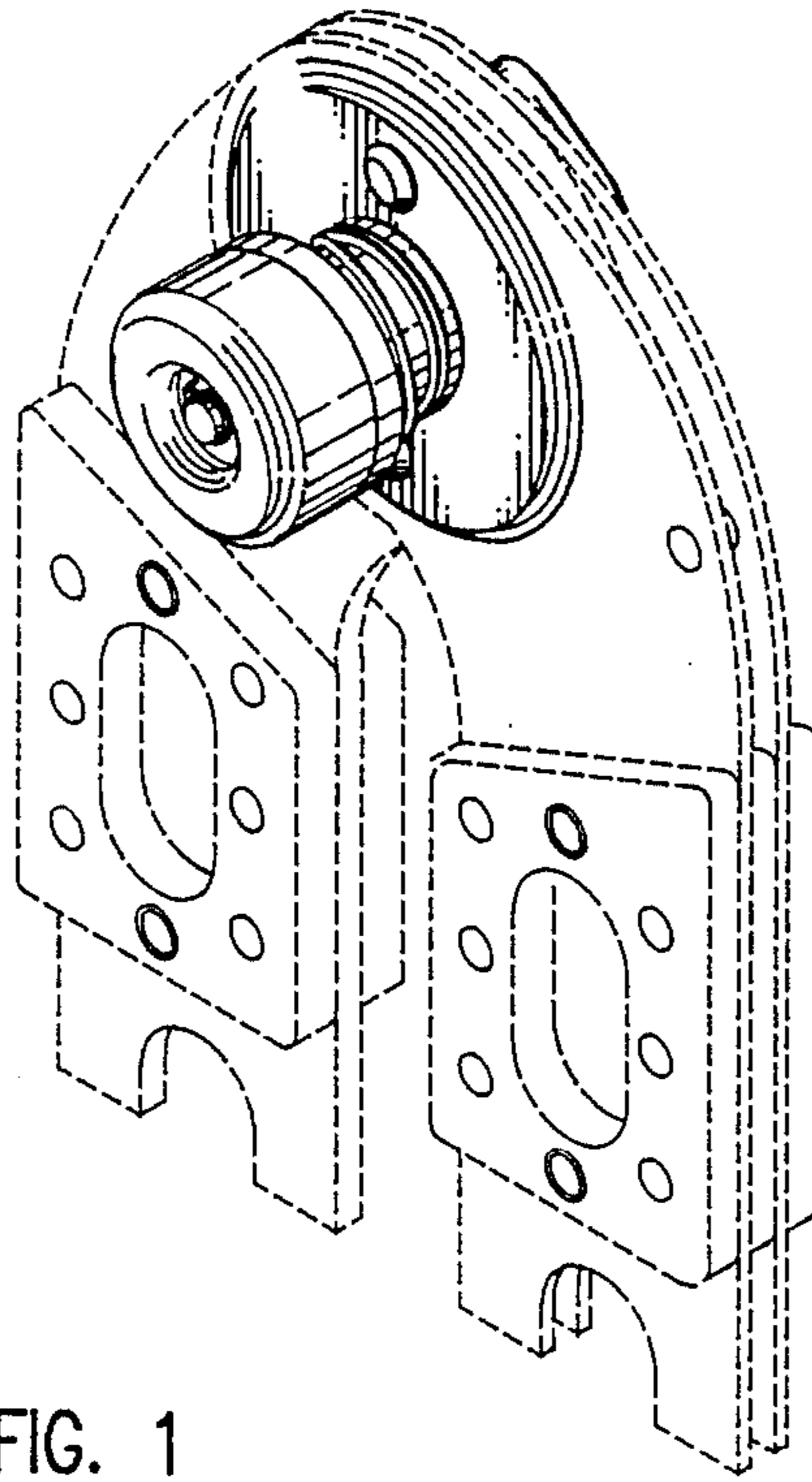


FIG. 1

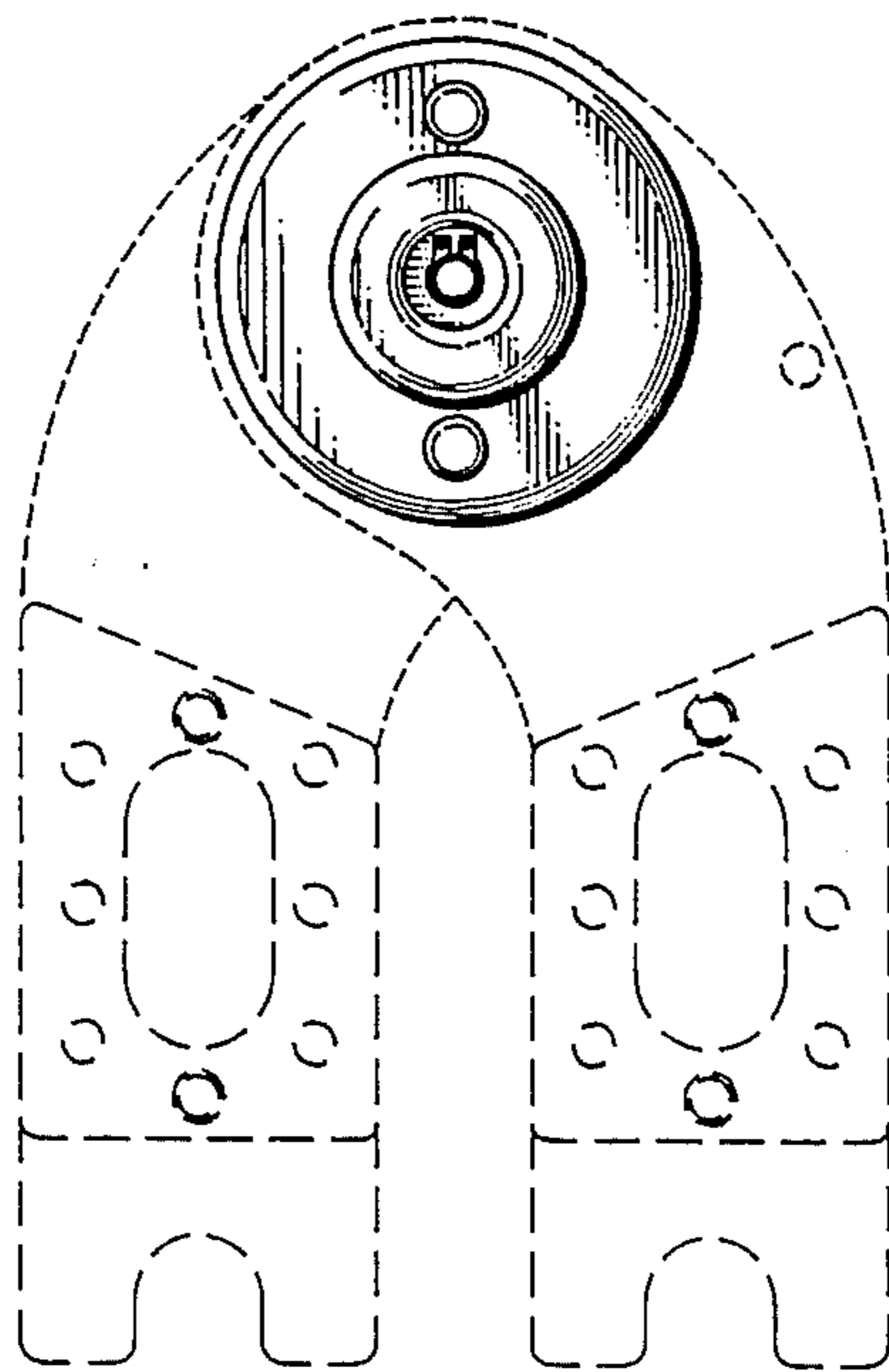


FIG. 2

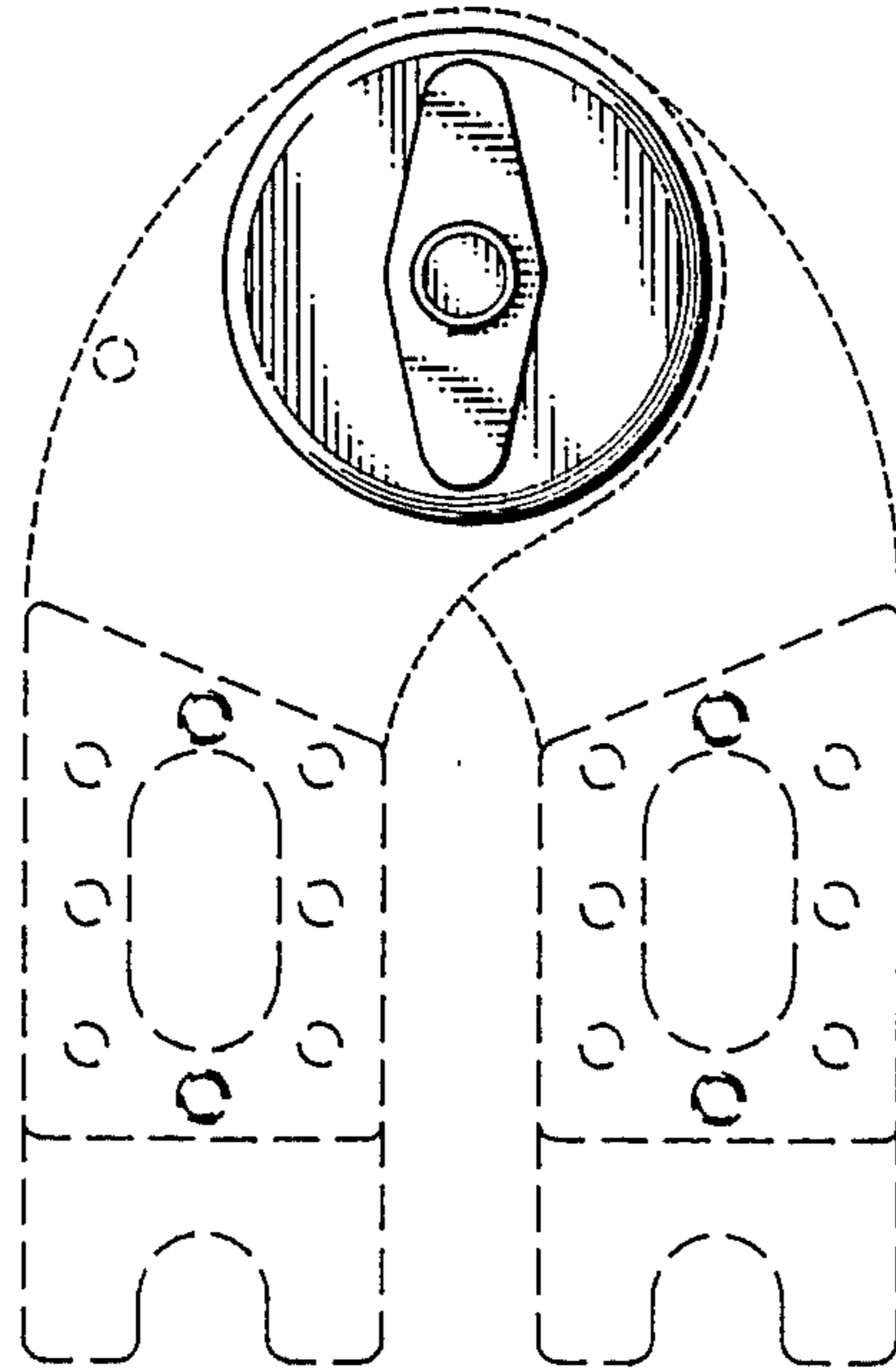


FIG. 3

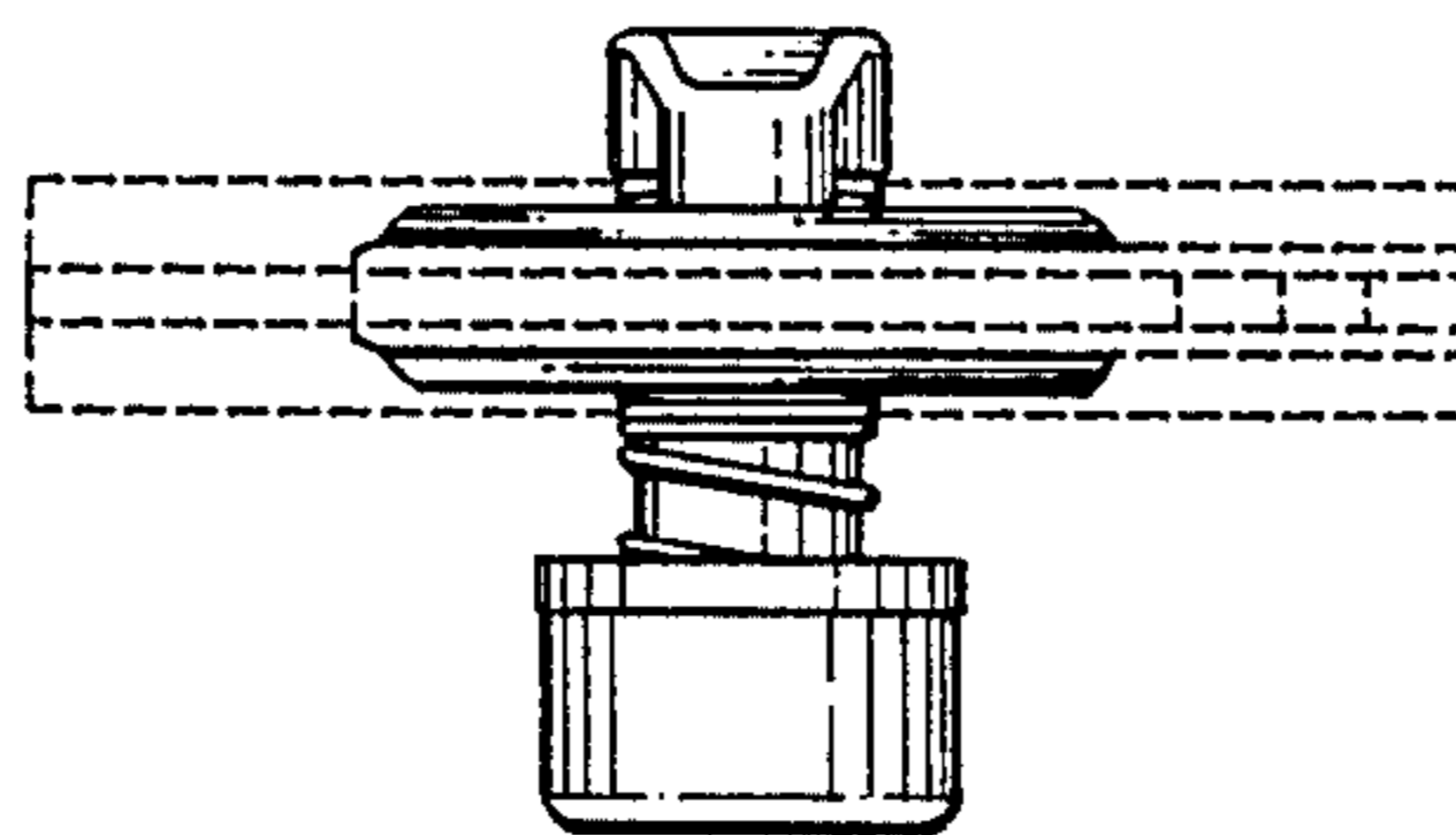


FIG. 4

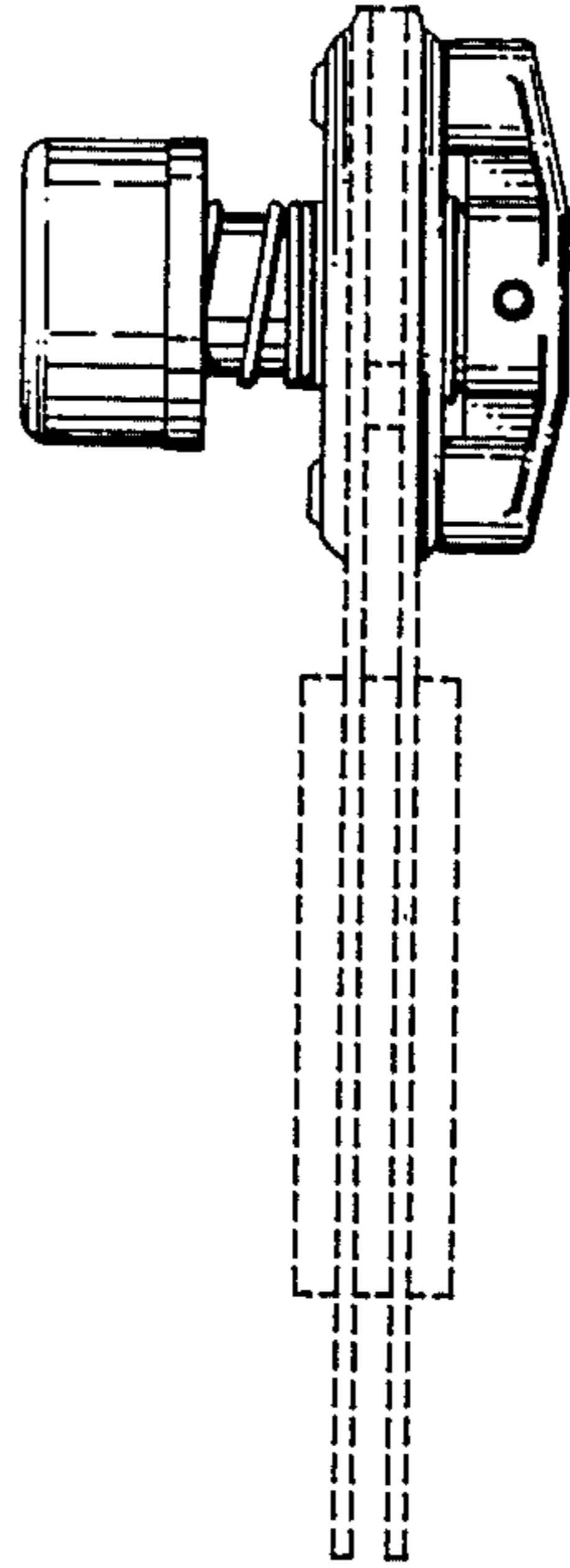


FIG. 5

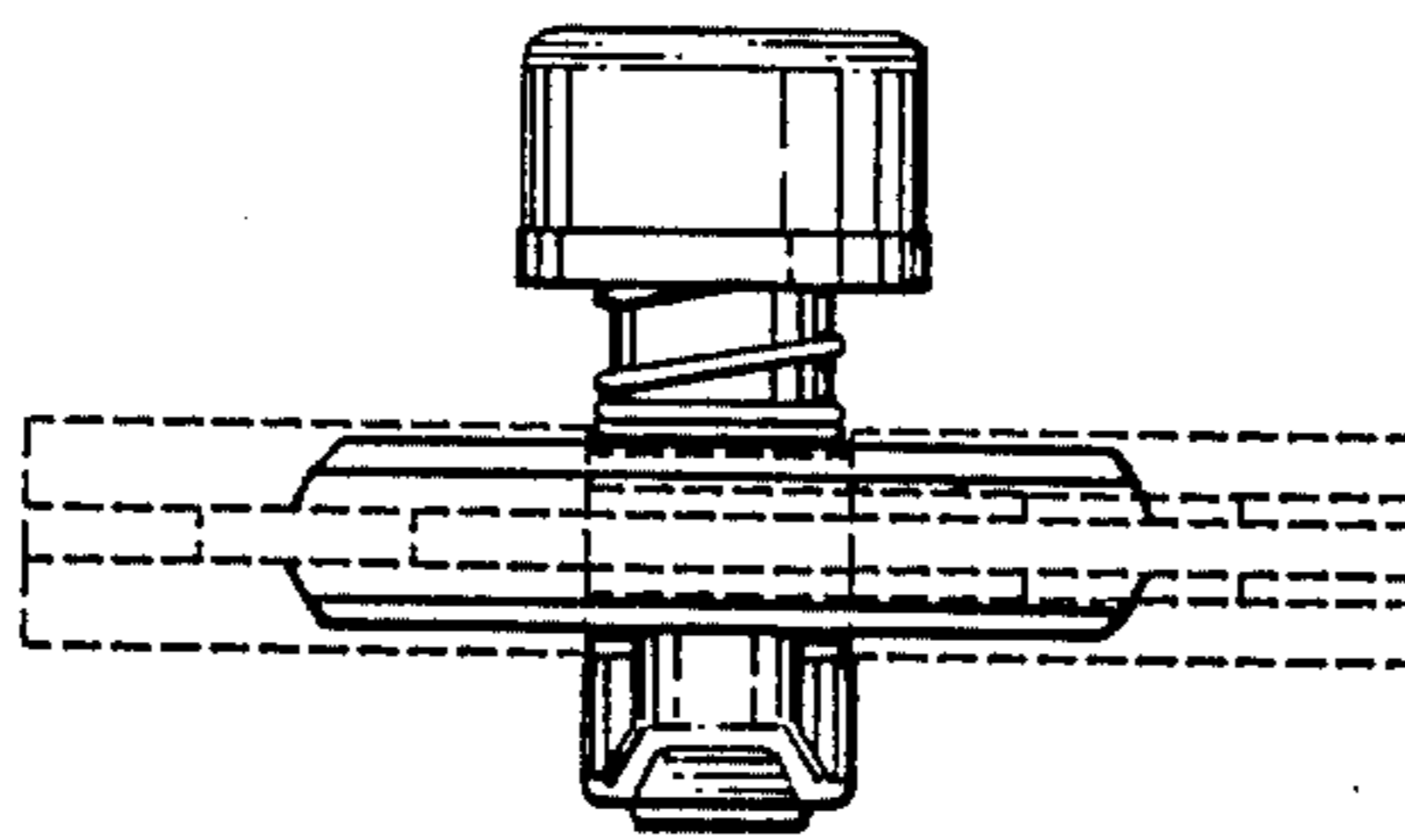


FIG. 6