

[54] **BREAST PUMP**

[75] **Inventors:** Arthur H. Yuan, Hudson, Ohio;  
Michael S. Joss, Chicago, Ill.

[73] **Assignee:** Spalding & Evenflo Companies, Inc.,  
Tampa, Fla.

[\*\*] **Term:** 14 Years

[21] **Appl. No.:** 180,857

[22] **Filed:** Apr. 11, 1988

[52] **U.S. Cl.** ..... D24/51

[58] **Field of Search** ..... D24/51; 604/74-76

[56] **References Cited**

**U.S. PATENT DOCUMENTS**

- D. 288,004 1/1987 Blachly ..... D24/51
- D. 295,896 5/1988 Van Meter et al. .... D24/51
- D. 299,537 1/1989 Morifuji ..... D24/51

- 4,573,969 3/1986 Schlenso et al. .... 604/74
- 4,772,262 9/1988 Grant et al. .... 604/74

*Primary Examiner*—A. Hugo Word  
*Assistant Examiner*—Stella M. Reid  
*Attorney, Agent, or Firm*—Donald R. Bahr

[57] **CLAIM**

The ornamental design for a breast pump, as shown and described.

**DESCRIPTION**

FIG. 1 is a left side elevational view of a breast pump, showing our new design, the broken line portion is for illustrative purposes only and forms no part of the claimed design;

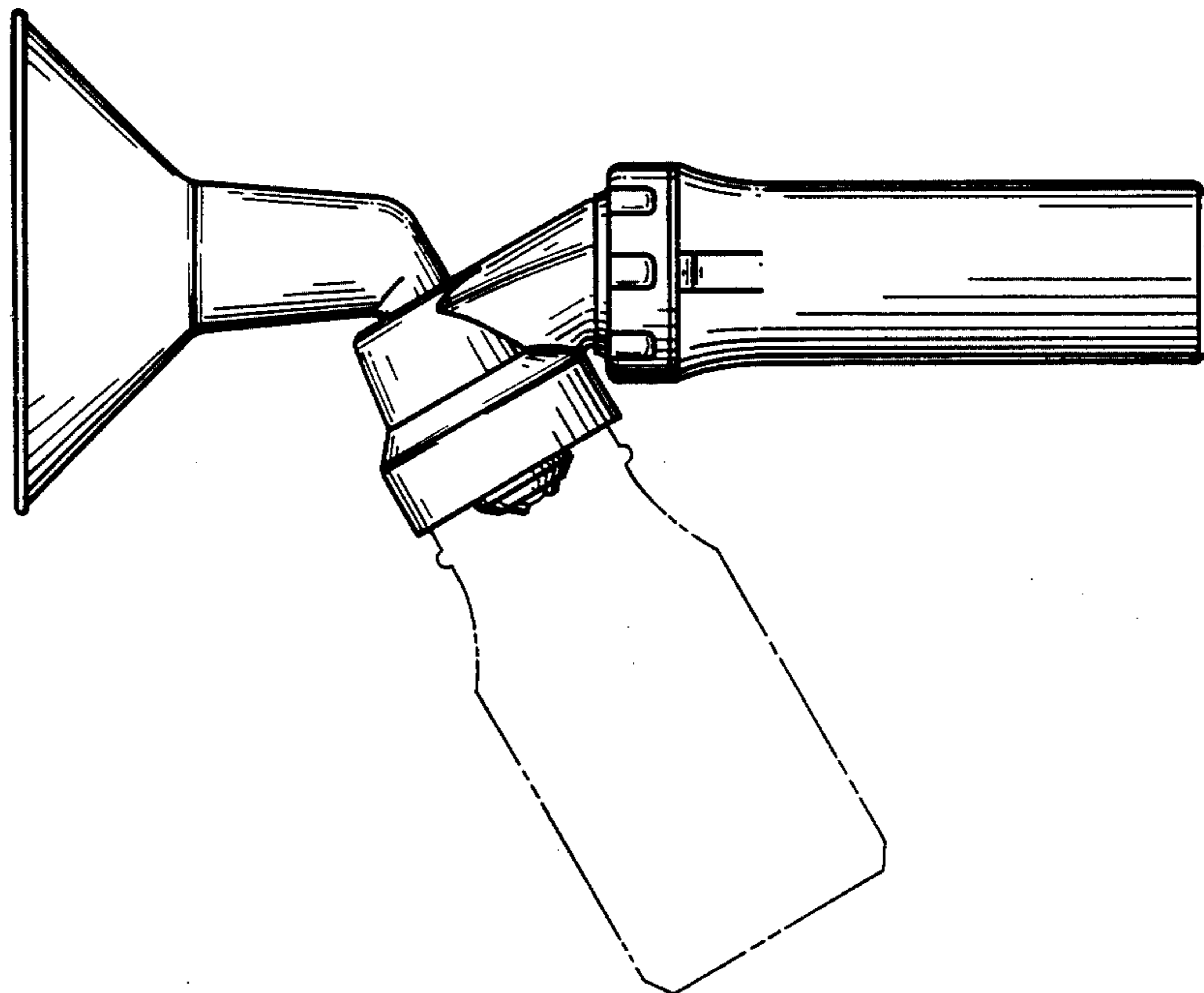
FIG. 2 is a rear elevational view thereof;

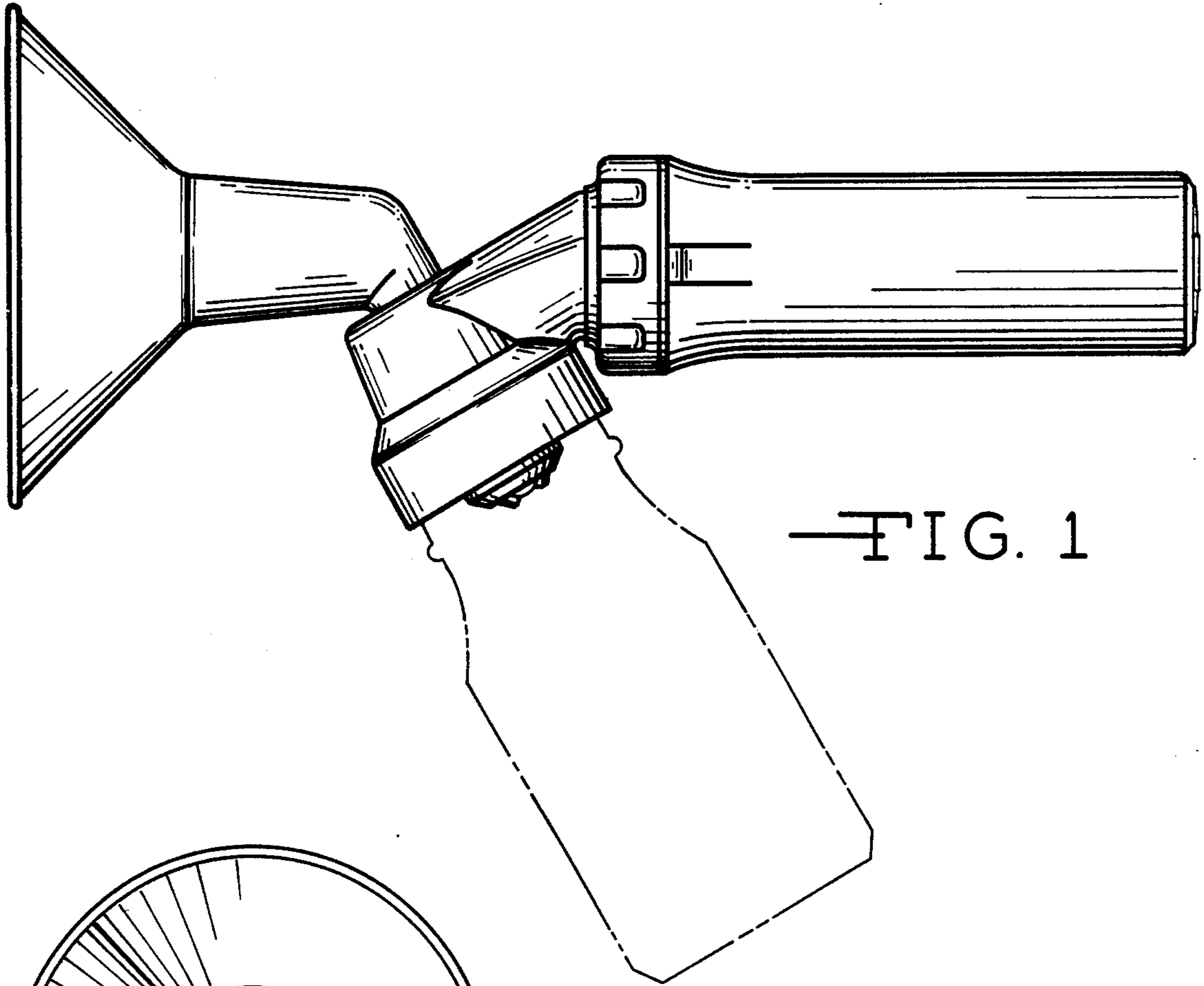
FIG. 3 is a right side elevational view thereof;

FIG. 4 is a top plan view thereof;

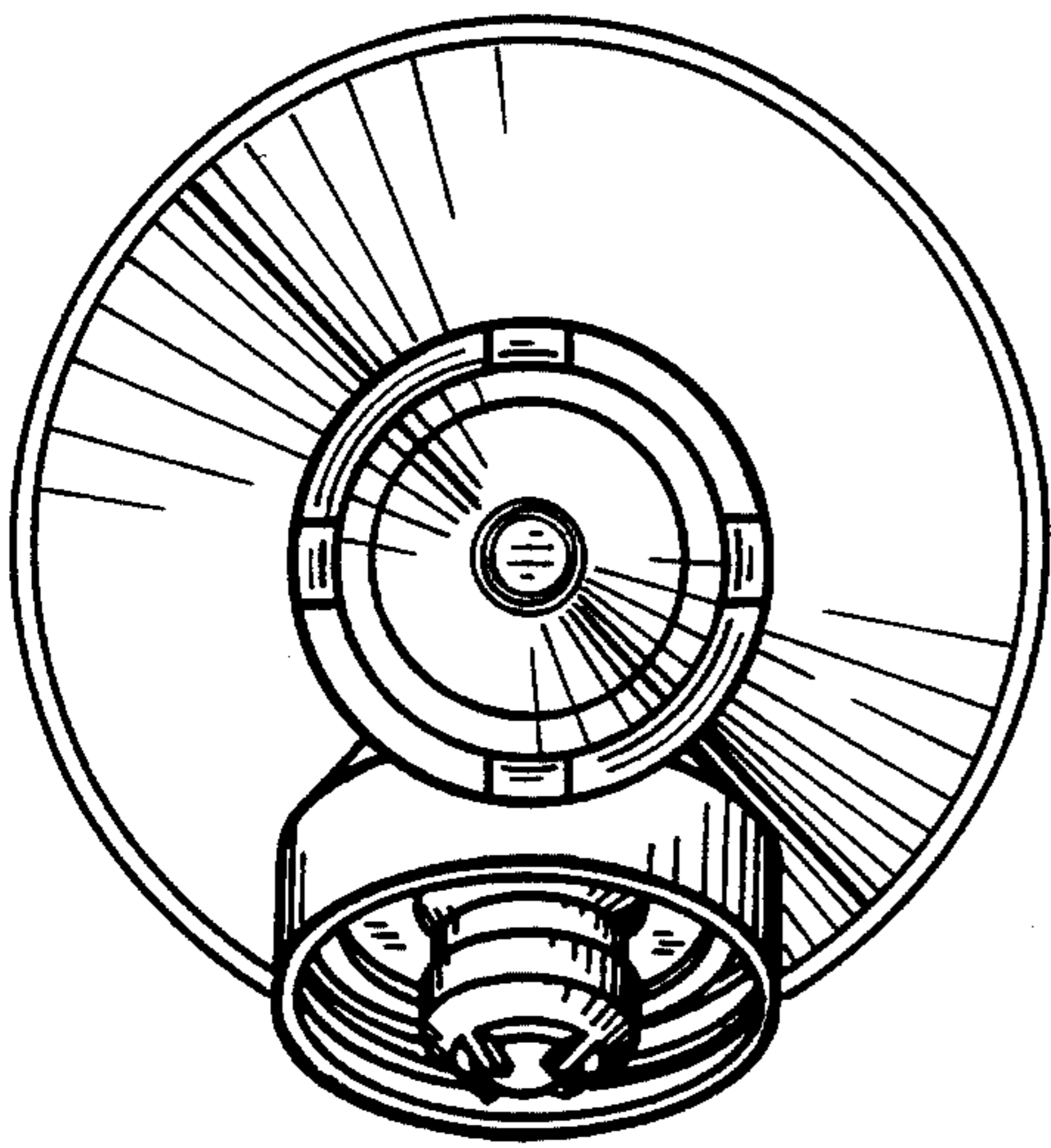
FIG. 5 is a front elevational view thereof; and

FIG. 6 is a bottom plan view thereof.

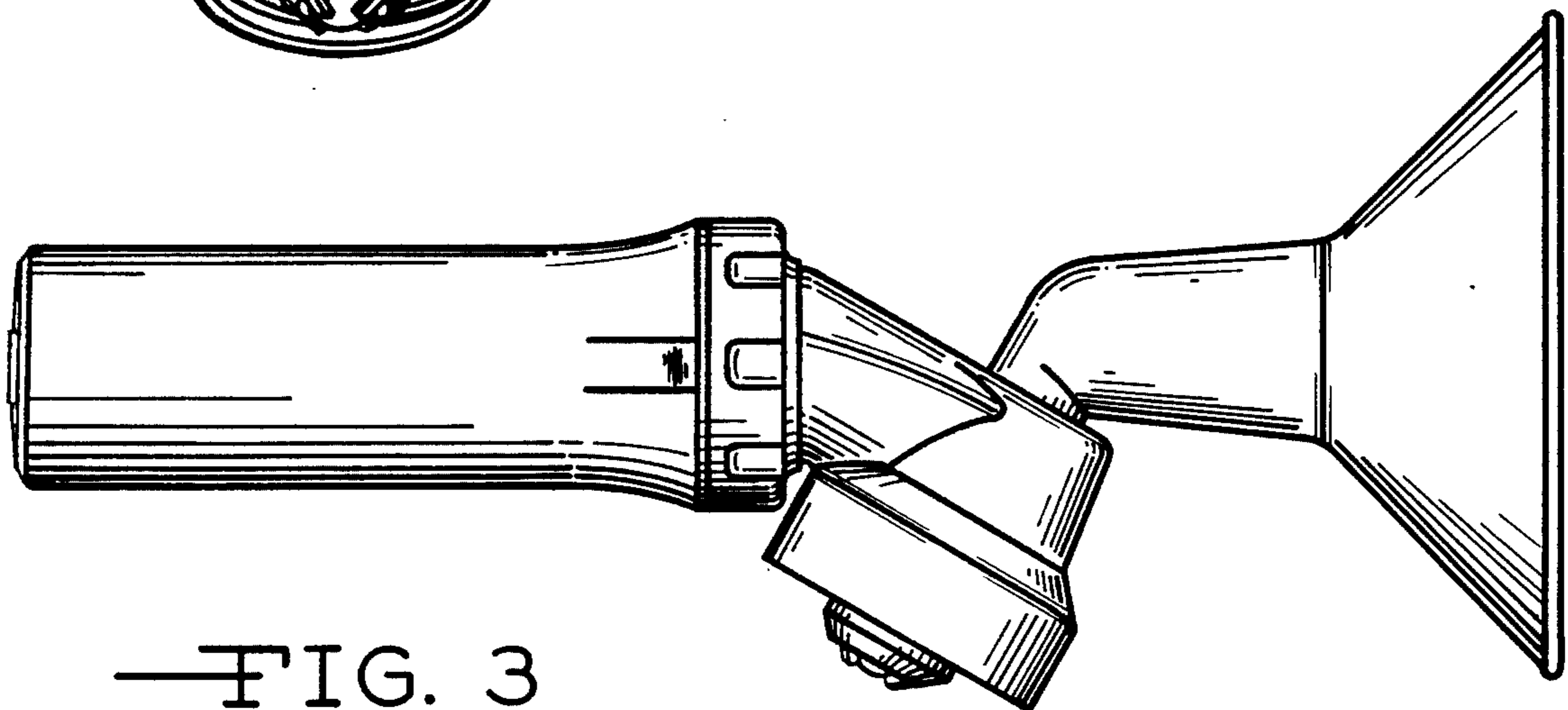




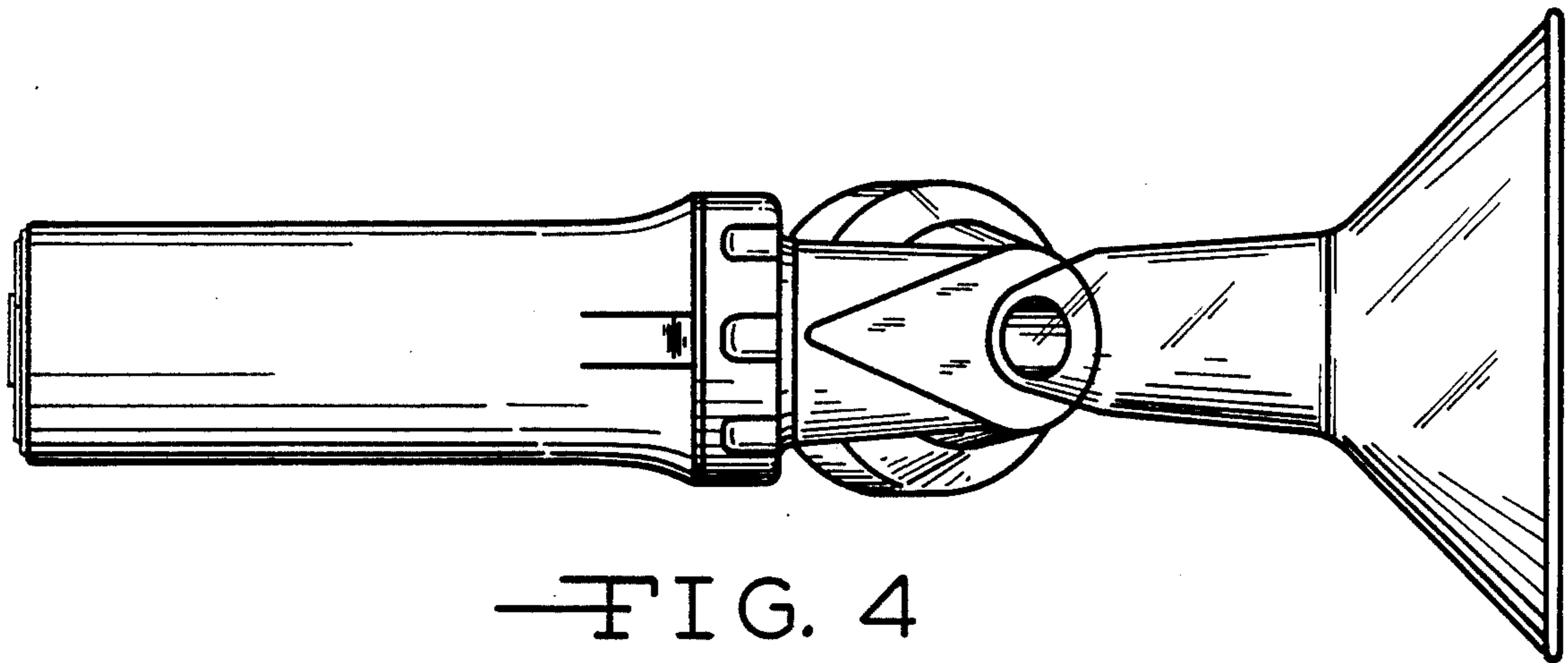
—FIG. 1



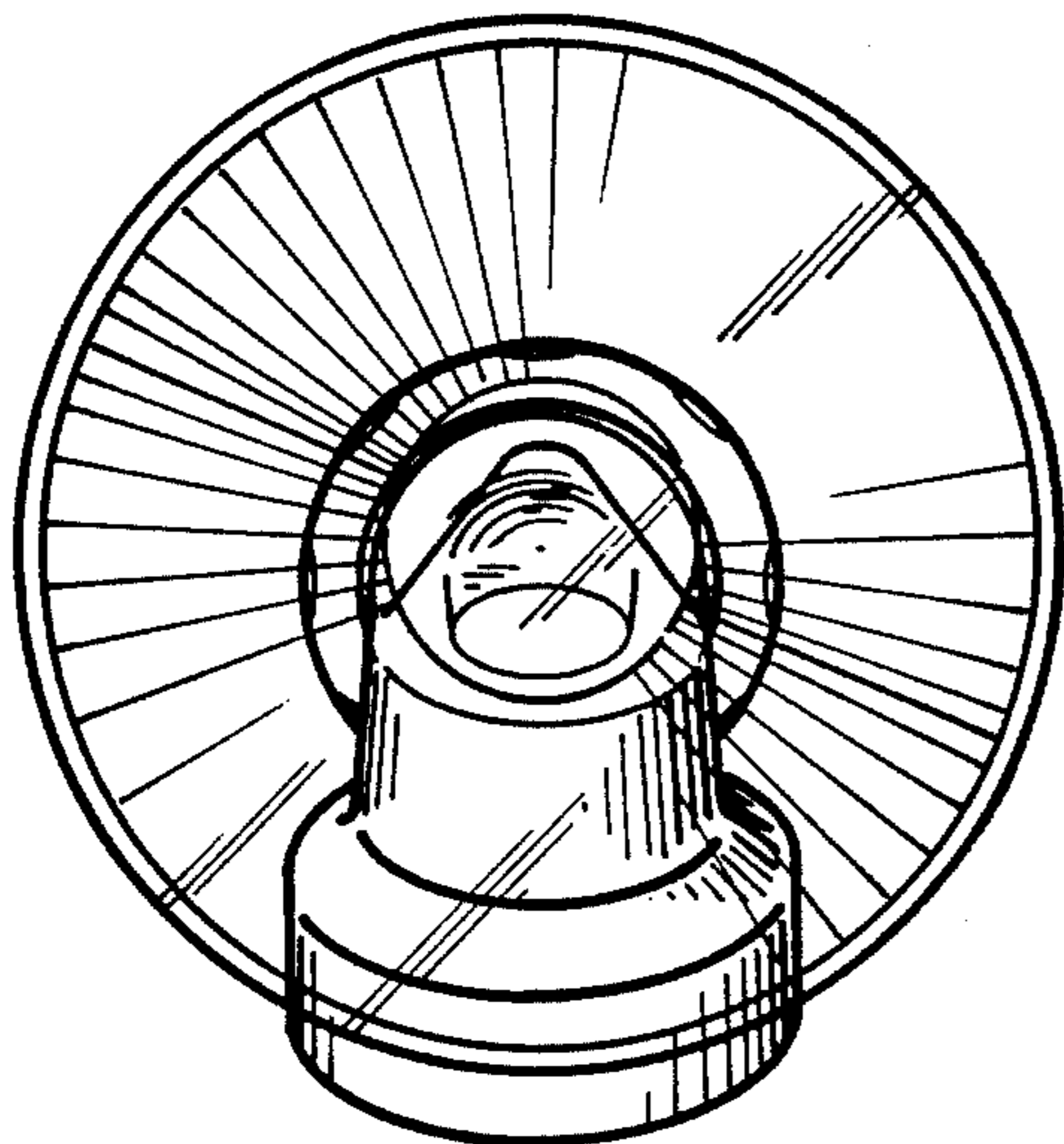
—FIG. 2



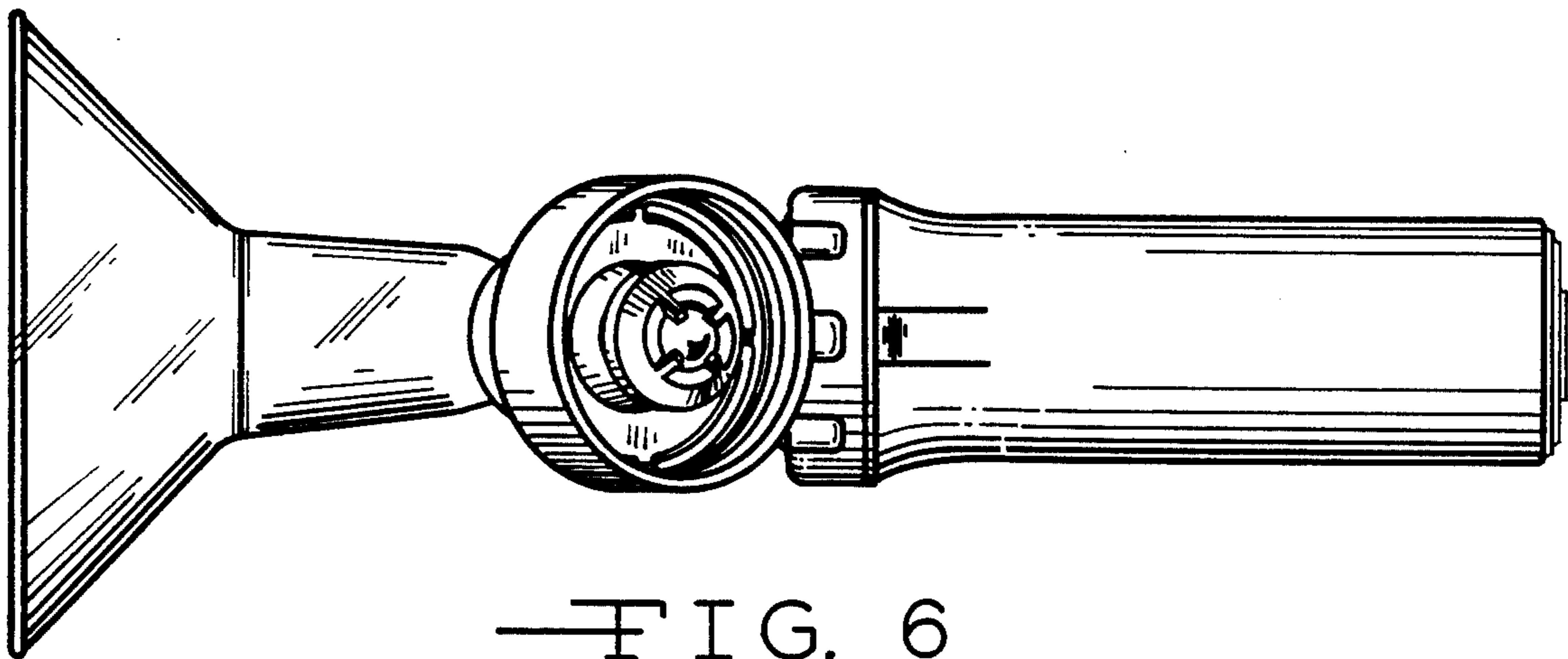
—FIG. 3



—FIG. 4



—FIG. 5



—FIG. 6