

[54] **COMBINED SHOWER HEAD AND ESCUTCHEON**
[75] **Inventors: Roger H. Ramsey, Copley; Mitchell L. Wilgus, Akron, both of Ohio**
[73] **Assignee: Stanadyne, Inc., Windsor, Conn.**
[**] **Term: 14 Years**
[21] **Appl. No.: 3,302**
[22] **Filed: Jan. 13, 1987**
[52] **U.S. Cl. D23/230**
[58] **Field of Search D23/208-230; 239/587, 588; 4/567, 568, 569, 570, 615**

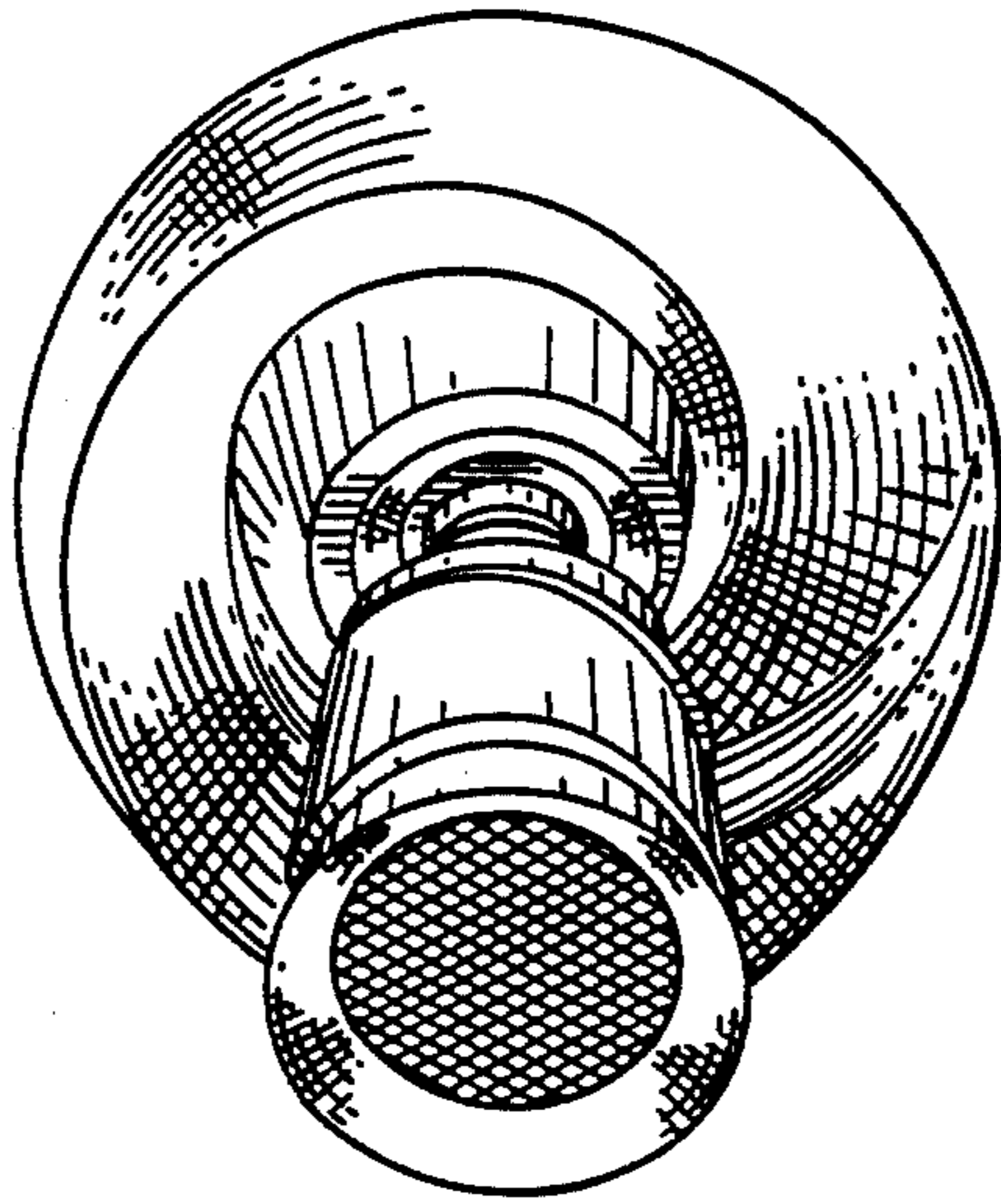
D. 263,865 4/1982 Yamih D23/230
D. 267,812 2/1983 Haug D23/229
D. 268,609 4/1983 Thompson D23/230
D. 269,118 5/1983 Thompson D23/230

Primary Examiner—James R. Largen
Attorney, Agent, or Firm—Kinzer, Plyer, Dorn, McEachran & Jambor

[56] **References Cited**
U.S. PATENT DOCUMENTS
D. 101,440 10/1936 Dreyfuss D23/230
D. 215,936 11/1969 Contheras D23/229
D. 260,809 9/1981 Fleischmann et al. D23/229

[57] **CLAIM**
The ornamental design for a combined shower head and escutcheon, as shown and described.

DESCRIPTION
FIG. 1 is a front elevational view of a combined shower head and escutcheon showing our new design; FIG. 2 is a left side elevational view thereof; FIG. 3 is a right side elevational view thereof; FIG. 4 is a top plan view thereof; and FIG. 5 is a bottom plan view thereof.



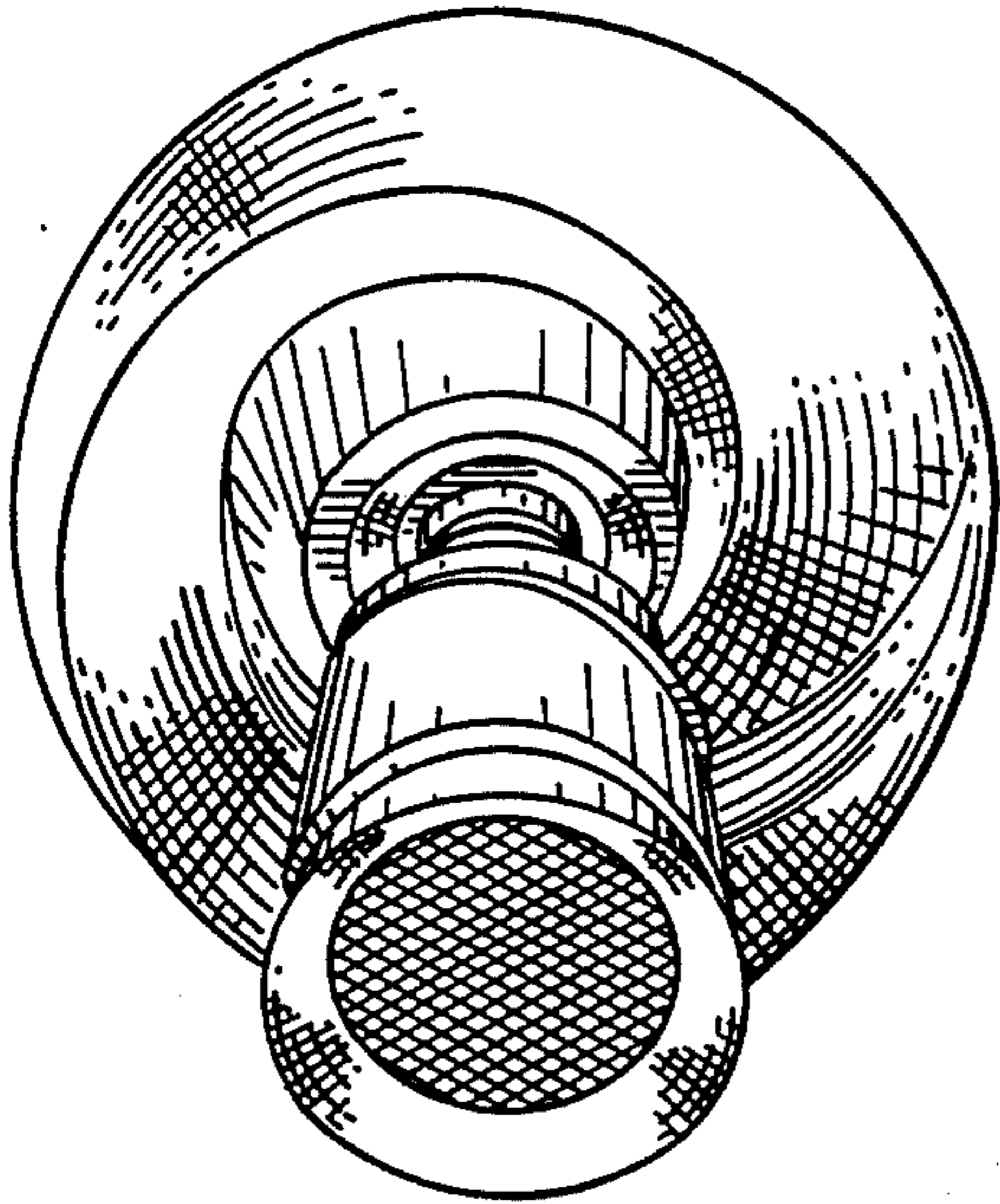


Fig. 1.

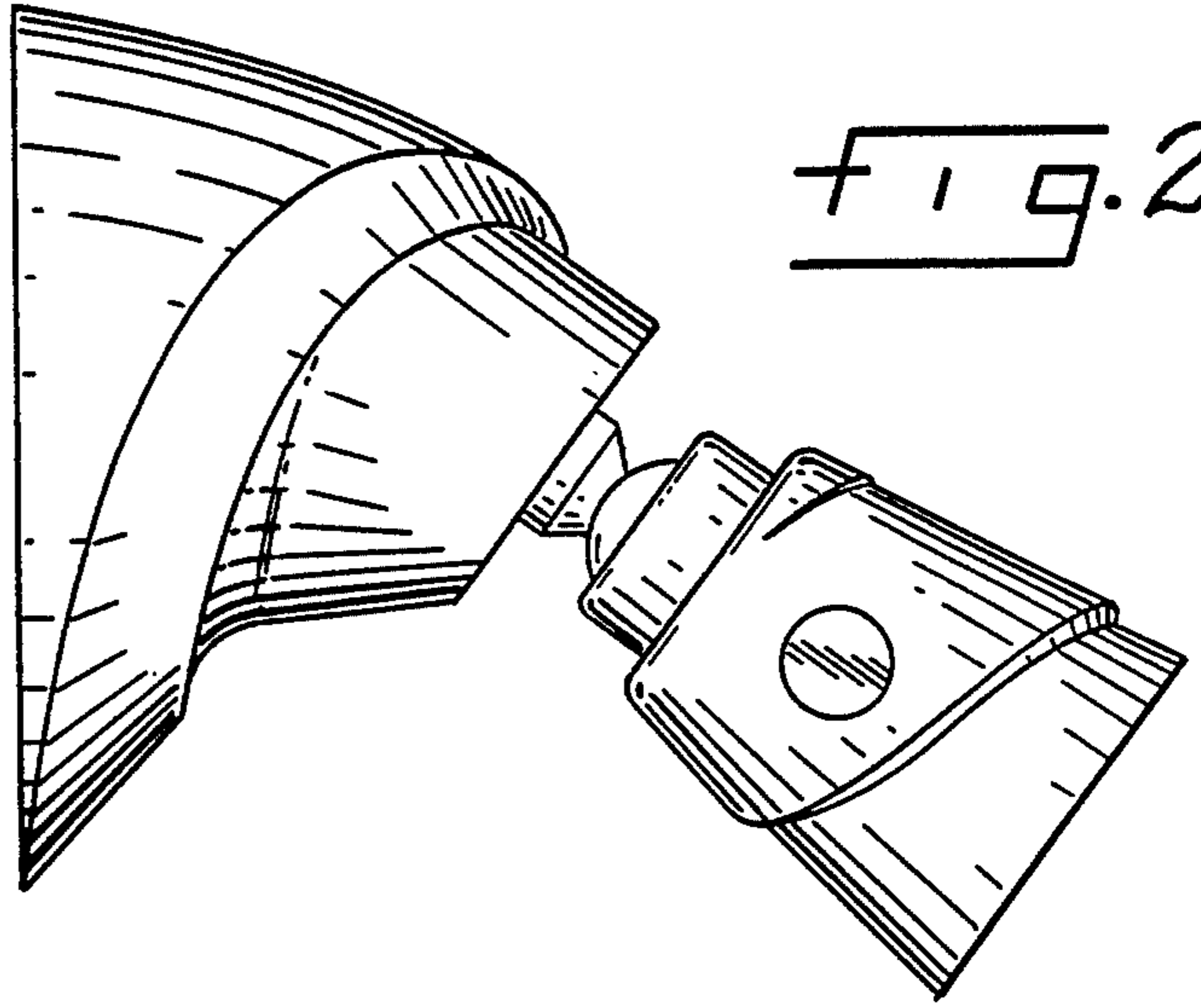


Fig. 2.

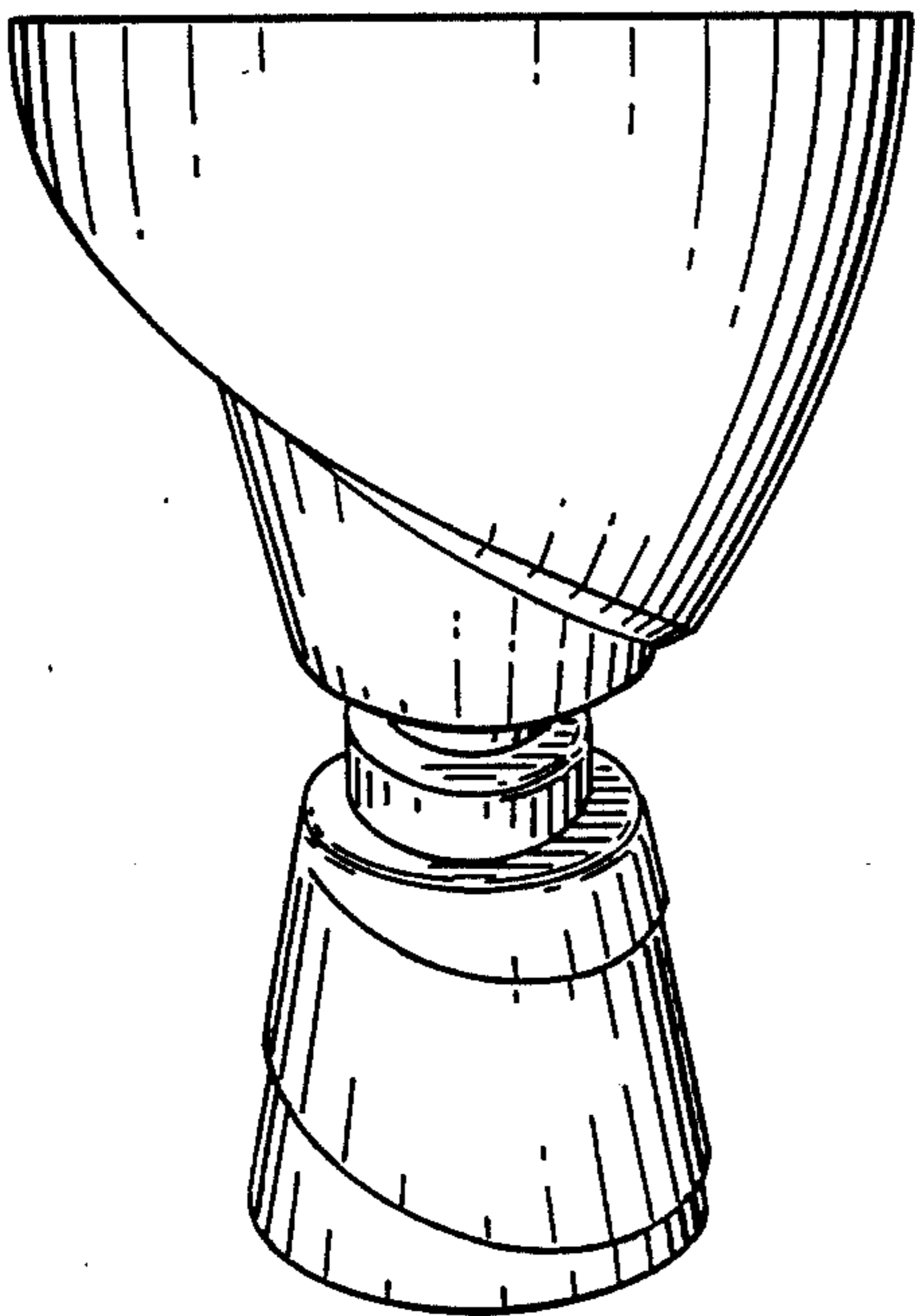


Fig. 4.

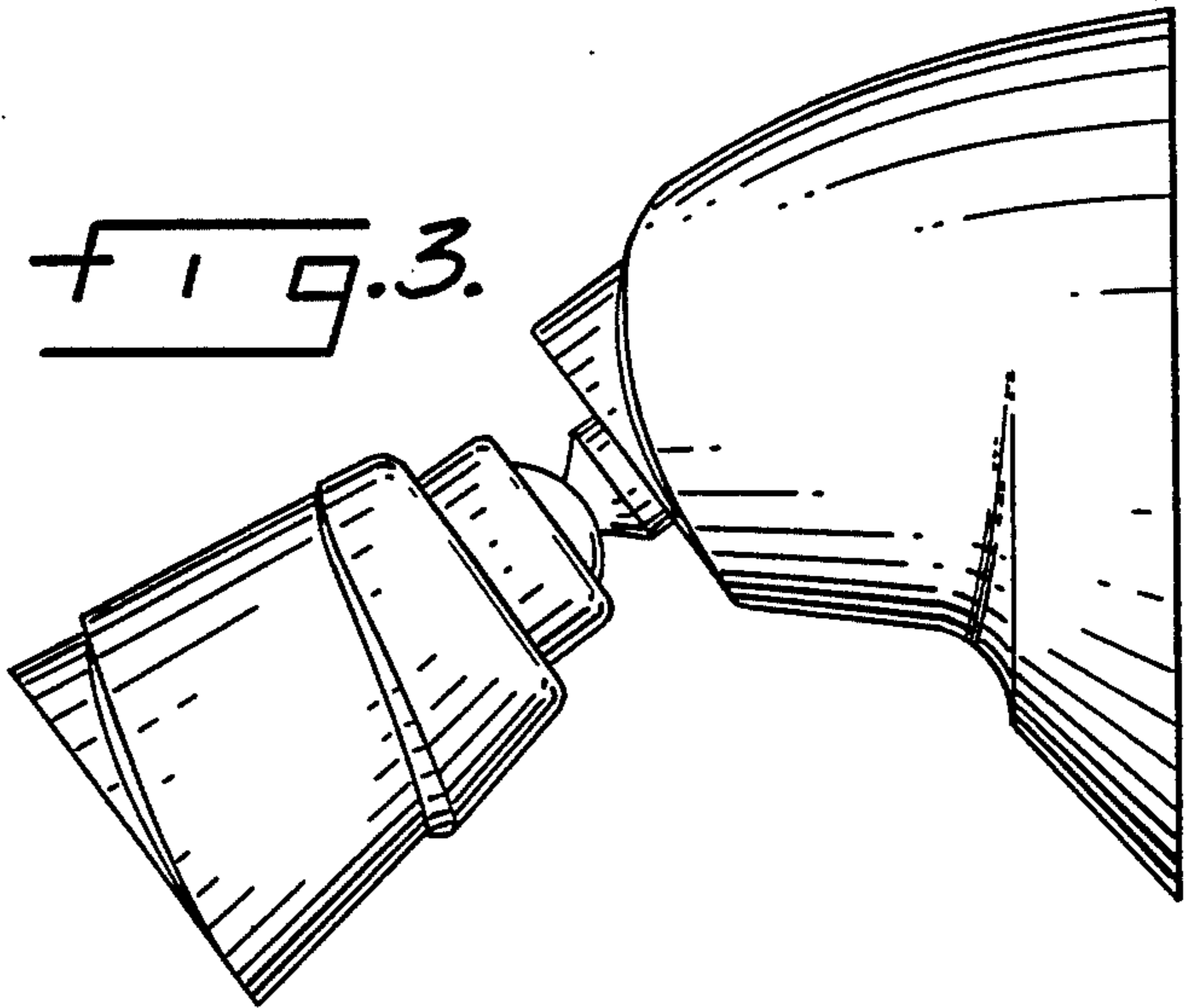


Fig. 3.

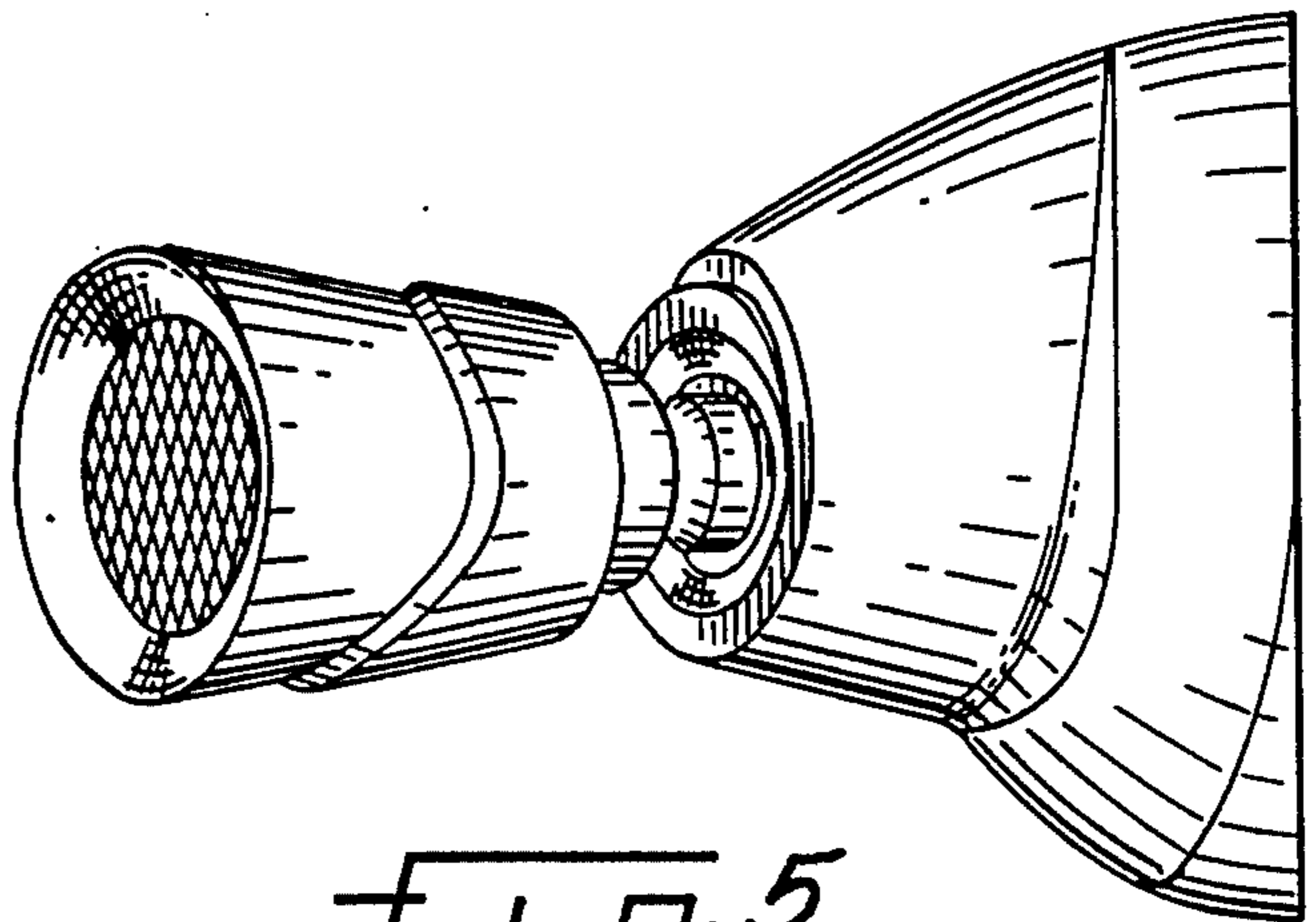


Fig. 5.