

[54] IN-LINE WATER FILTER

[75] Inventor: Ulrich K. Boehnke, Fort Myers, Fla.

[73] Assignee: Diemold Machine Company, Inc., Fort Myers, Fla.

[**] Term: 14 Years

[21] Appl. No.: 44,137

[22] Filed: Apr. 30, 1987

[52] U.S. Cl. D23/209

[58] Field of Search D23/207-210; 210/435, 446, 493.3

[56] References Cited

U.S. PATENT DOCUMENTS

D. 143,545	1/1946	Pond et al.	D23/209
D. 254,145	2/1980	Wilcock	D23/209
D. 265,227	6/1982	Jolley	D23/207

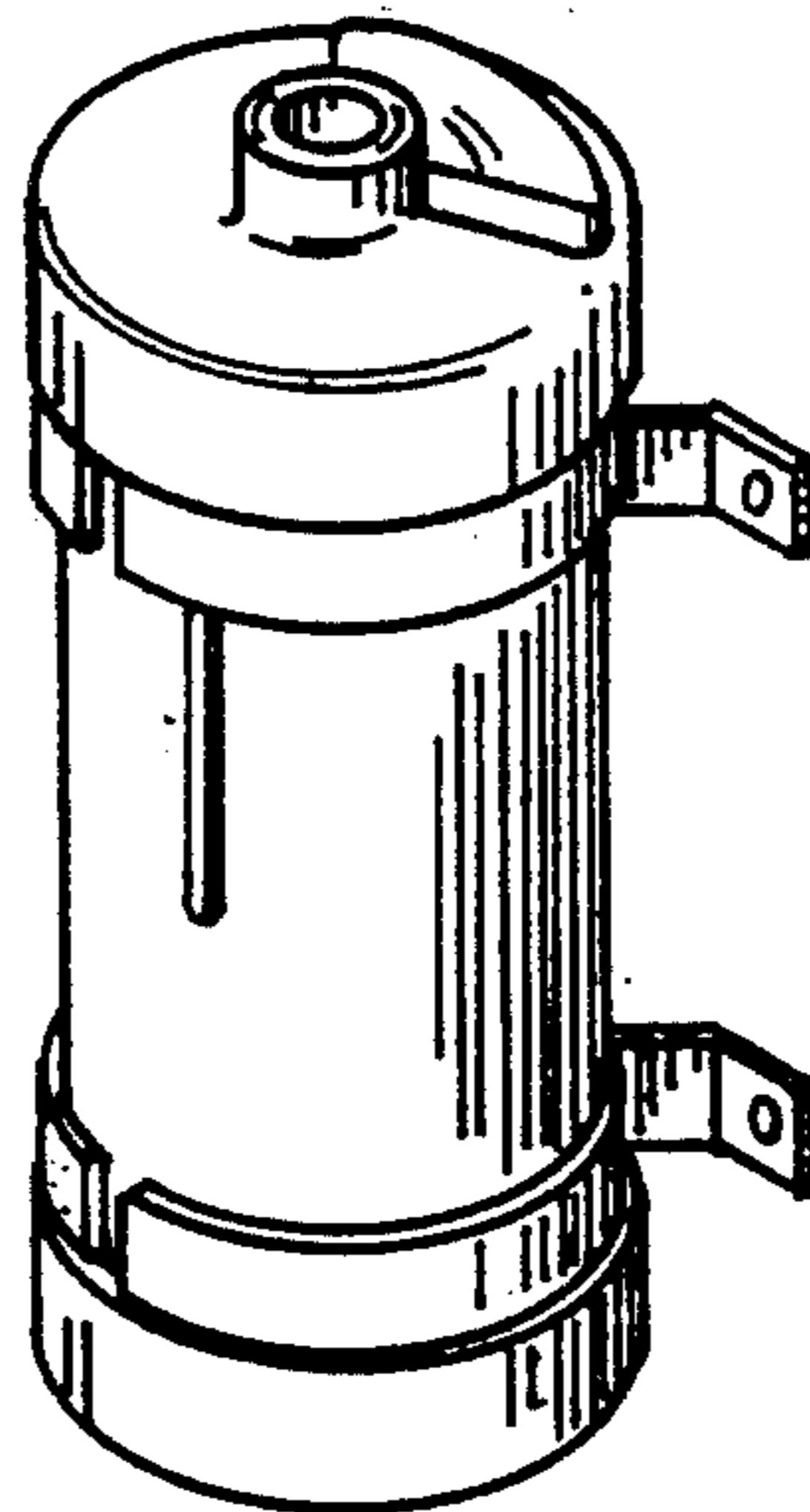
Primary Examiner—Susan J. Lucas
Assistant Examiner—M. H. Tung
Attorney, Agent, or Firm—William E. Noonan

[57] CLAIM

The ornamental design for an in-line water filter, as shown and described.

DESCRIPTION

FIG. 1 is an isometric view of an in-line water filter showing my new design;
FIG. 2 is a right side elevational view thereof;
FIG. 3 is a left side elevational view thereof;
FIG. 4 is a top plan view thereof;
FIG. 5 is a bottom plan view thereof;
FIG. 6 is a front elevational view thereof;
FIG. 7 is a back elevational view thereof; and
FIG. 8 is a cross-sectional view taken on line 8—8 of FIG. 2.



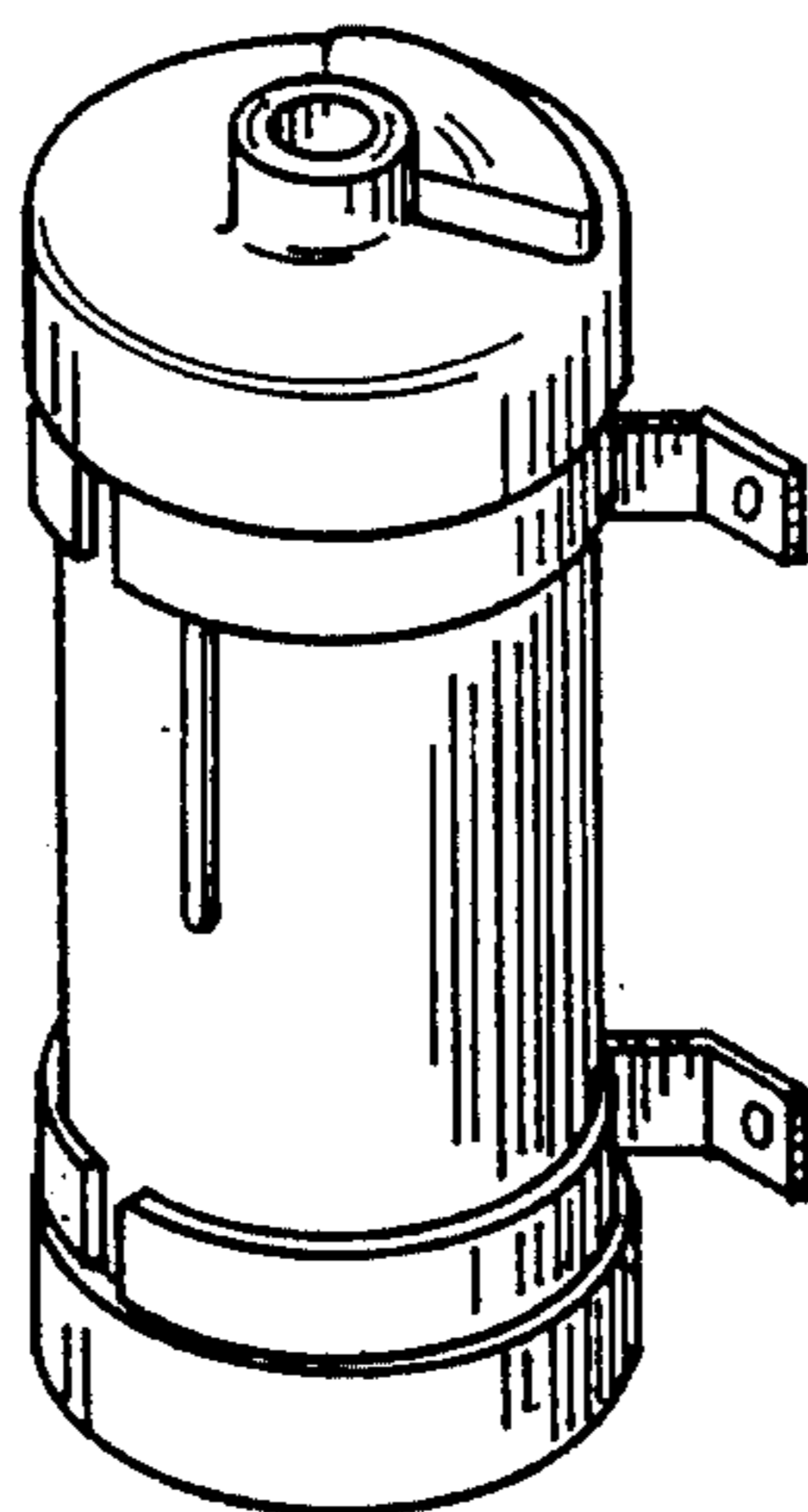


FIG. 1

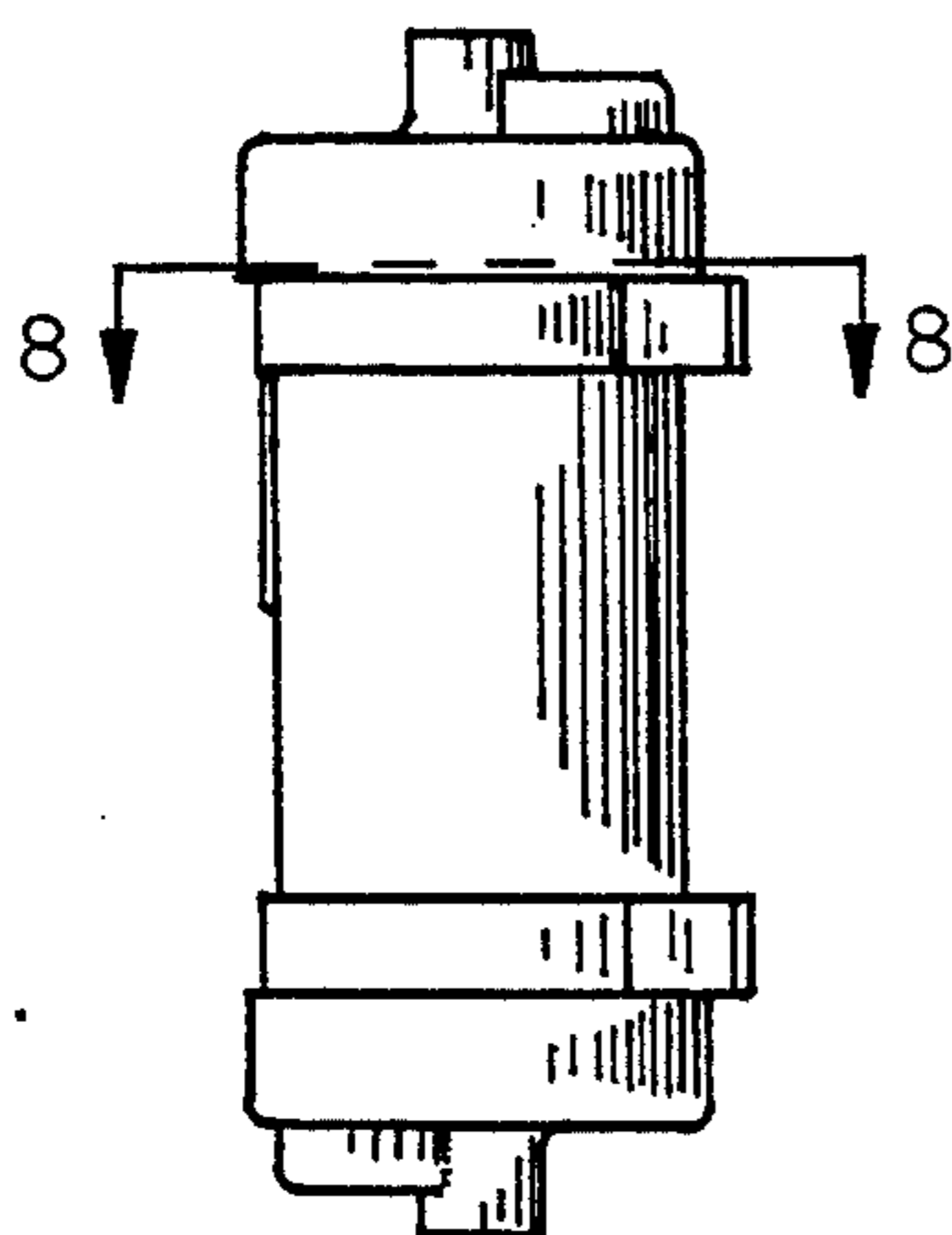


FIG. 2

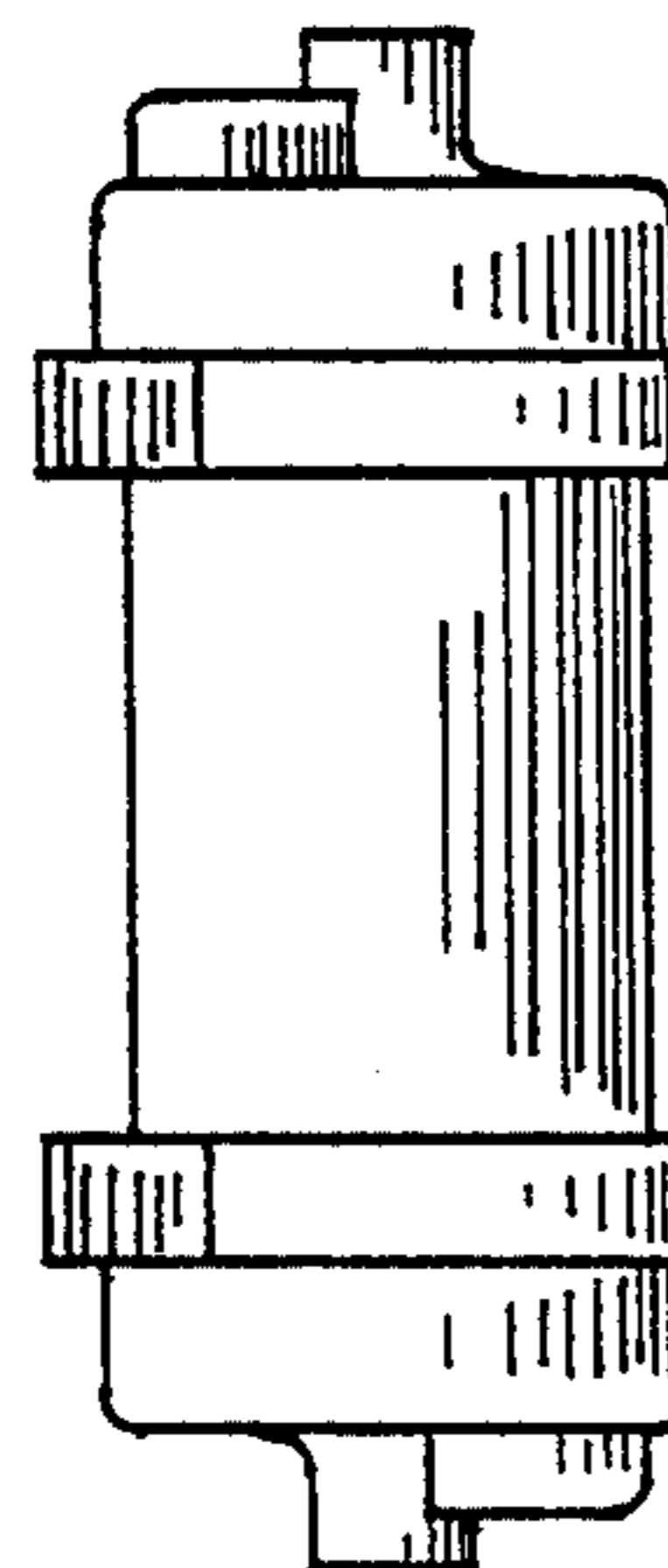


FIG. 3

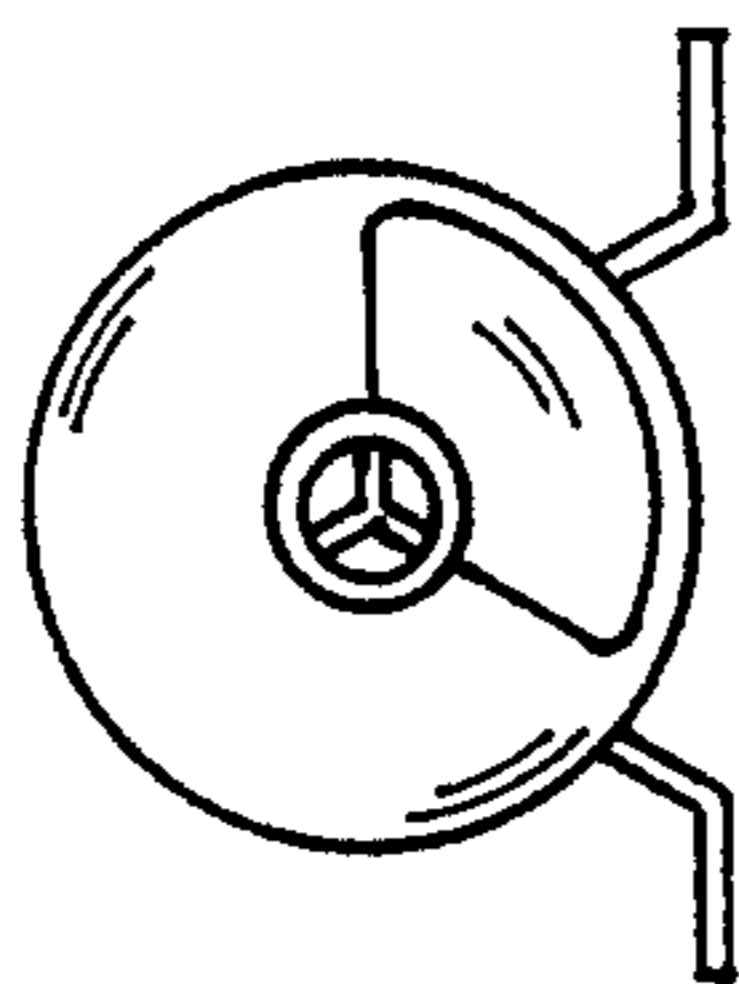


FIG. 4

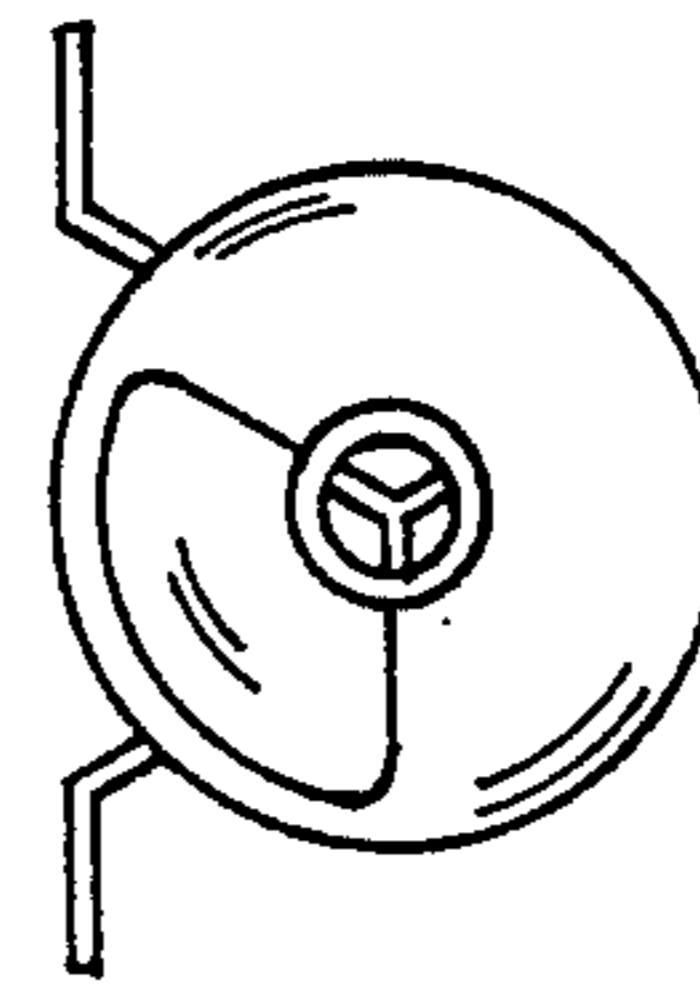


FIG. 5

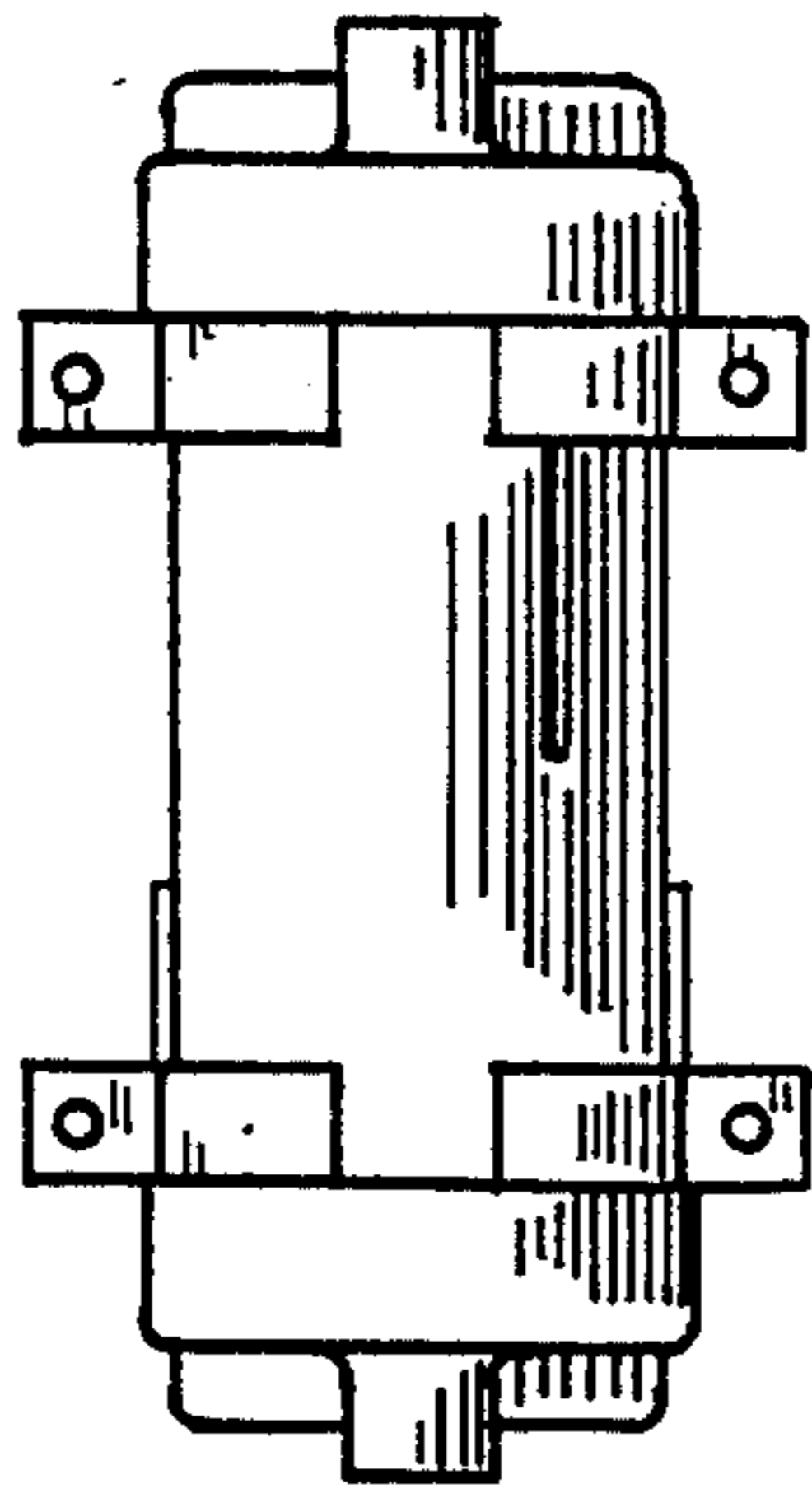


FIG. 6

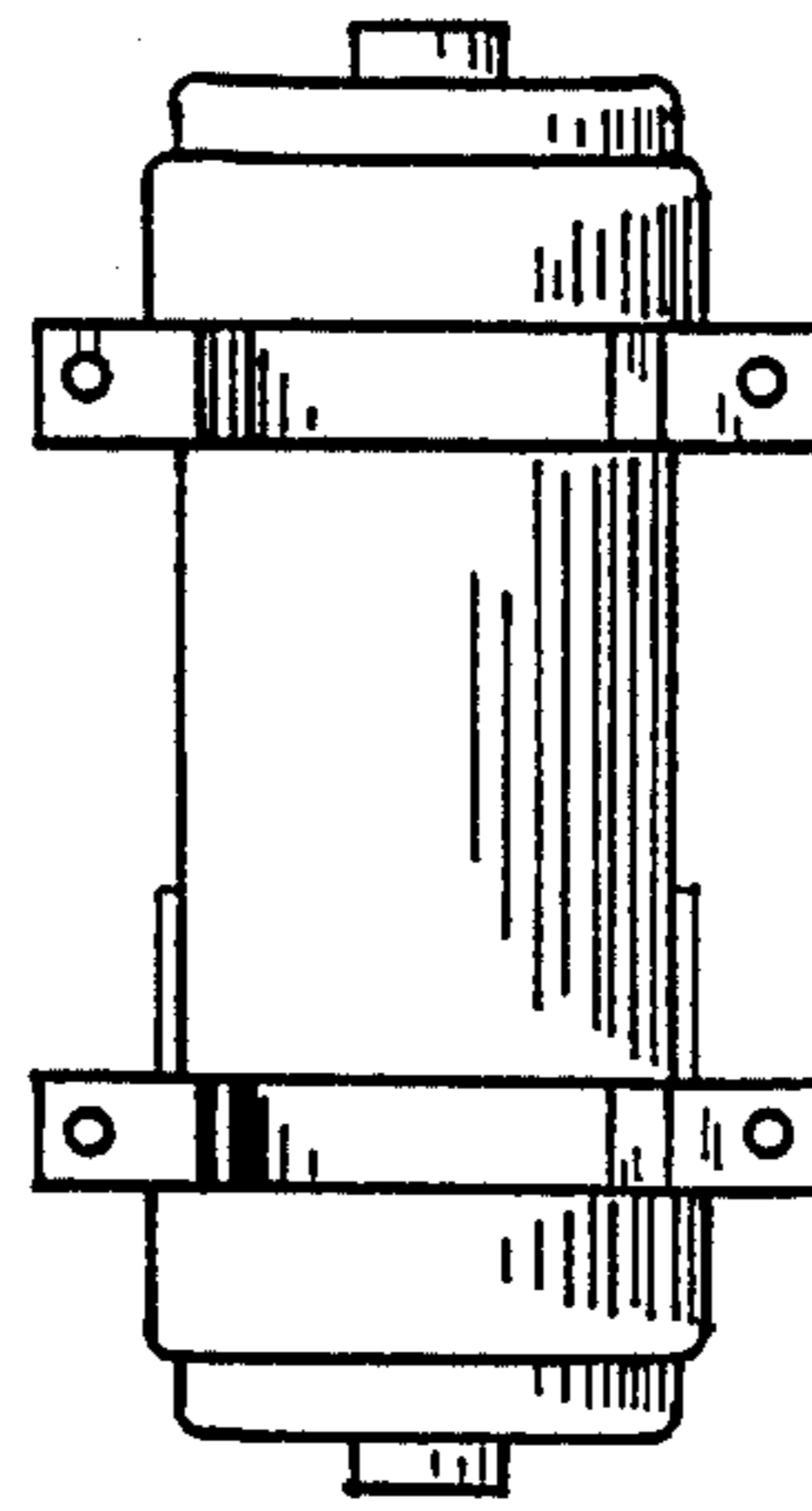


FIG. 7

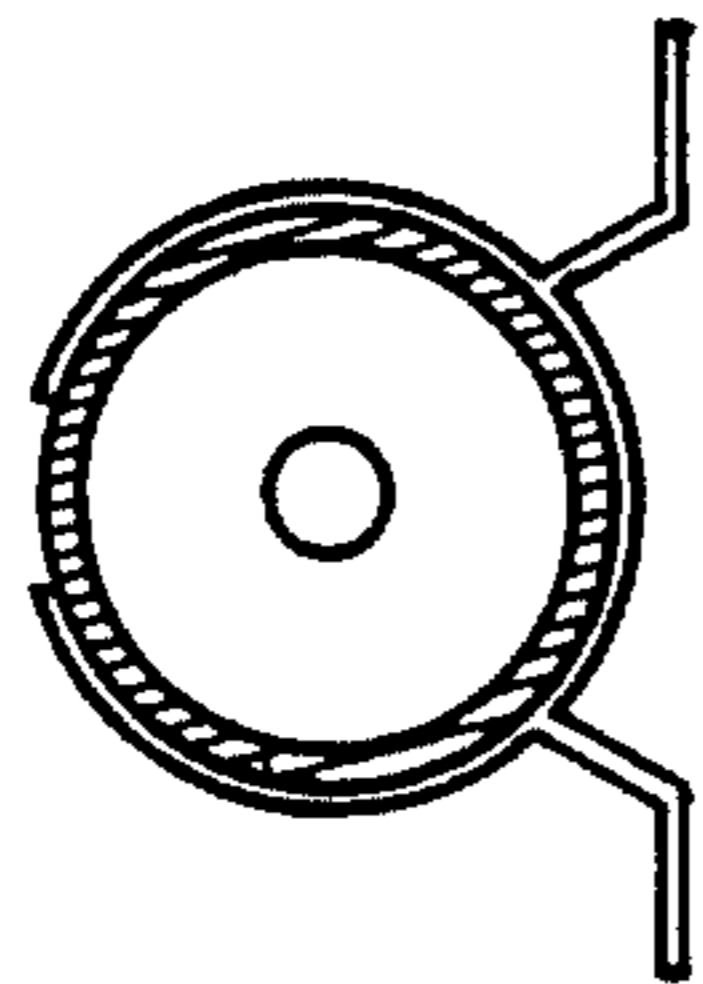


FIG. 8