

[54] **EXERCISE CYCLE**

[75] **Inventors: Curt G. Bingham; William T. Dalebout, both of Logan, Utah**

[73] **Assignee: Weslo, Inc., Logan, Utah**

[**] **Term: 14 Years**

[21] **Appl. No.: 287,732**

[22] **Filed: Dec. 21, 1988**

[52] **U.S. Cl. D21/194**

[58] **Field of Search D21/191-199;
272/73, 70.3, 132; 73/379**

[56] **References Cited**

U.S. PATENT DOCUMENTS

| | | | |
|------------|--------|--------------|---------|
| D. 278,268 | 4/1985 | Kiiski | D21/194 |
| D. 291,822 | 9/1987 | Liu | D21/194 |
| D. 301,729 | 6/1989 | Capjon | D21/194 |
| D. 302,035 | 7/1989 | Smith | D21/194 |

OTHER PUBLICATIONS

American Bicyclist, 9-1906, p. 10, Tsuyama Exercise Bicycle at bottom of page.

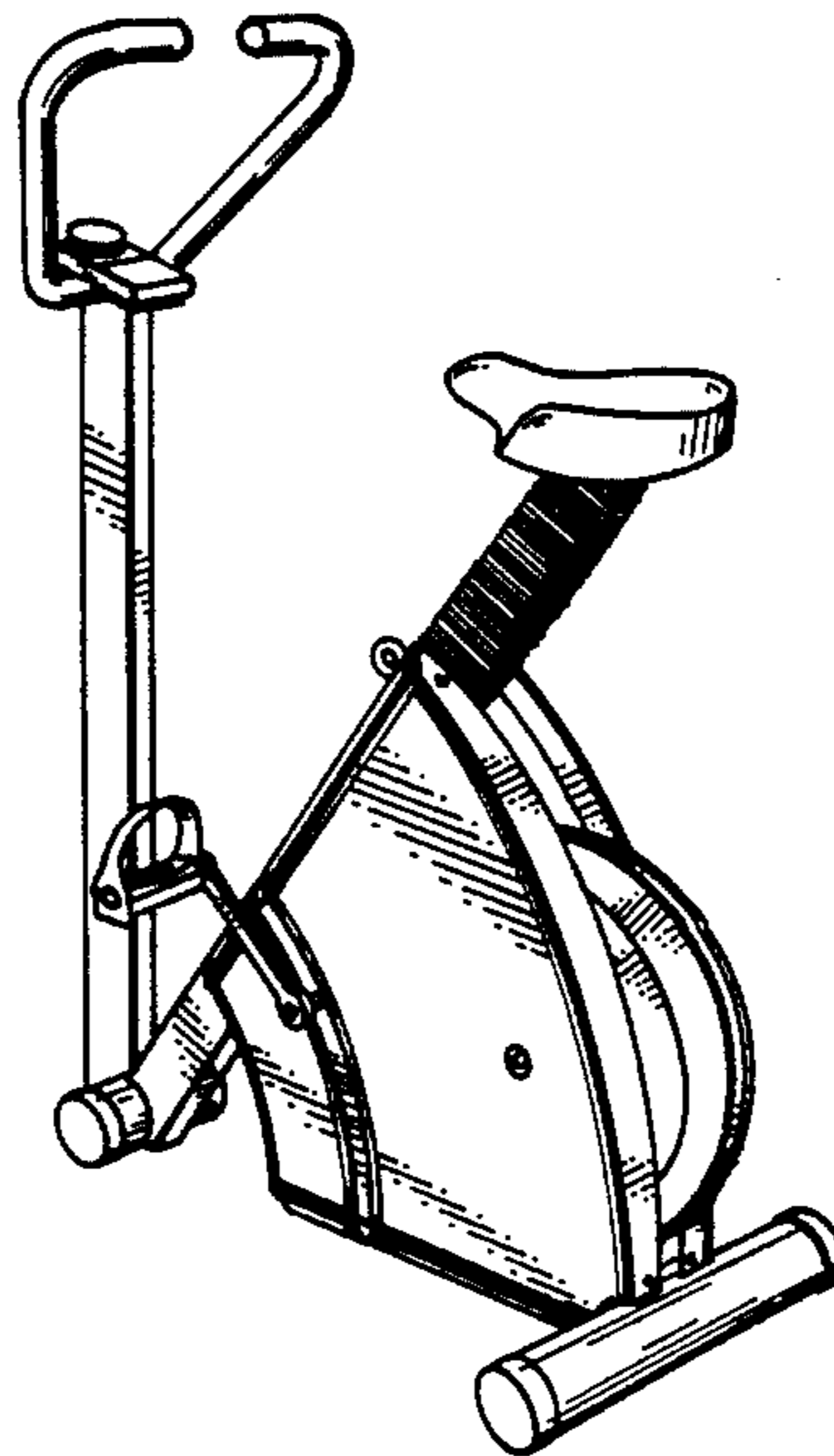
Primary Examiner—Charles A. Rademaker
Attorney, Agent, or Firm—Trask, Britt & Rossa

[57] **CLAIM**

The ornamental design for an exercise cycle, as shown and described.

DESCRIPTION

FIG. 1 is a perspective view of an exercise cycle showing our new design;
FIG. 2 is a left side elevational view;
FIG. 3 is a right side elevational view;
FIG. 4 is a front elevational view;
FIG. 5 is a rear elevational view;
FIG. 6 is a top plan view; and
FIG. 7 is a bottom plan view;



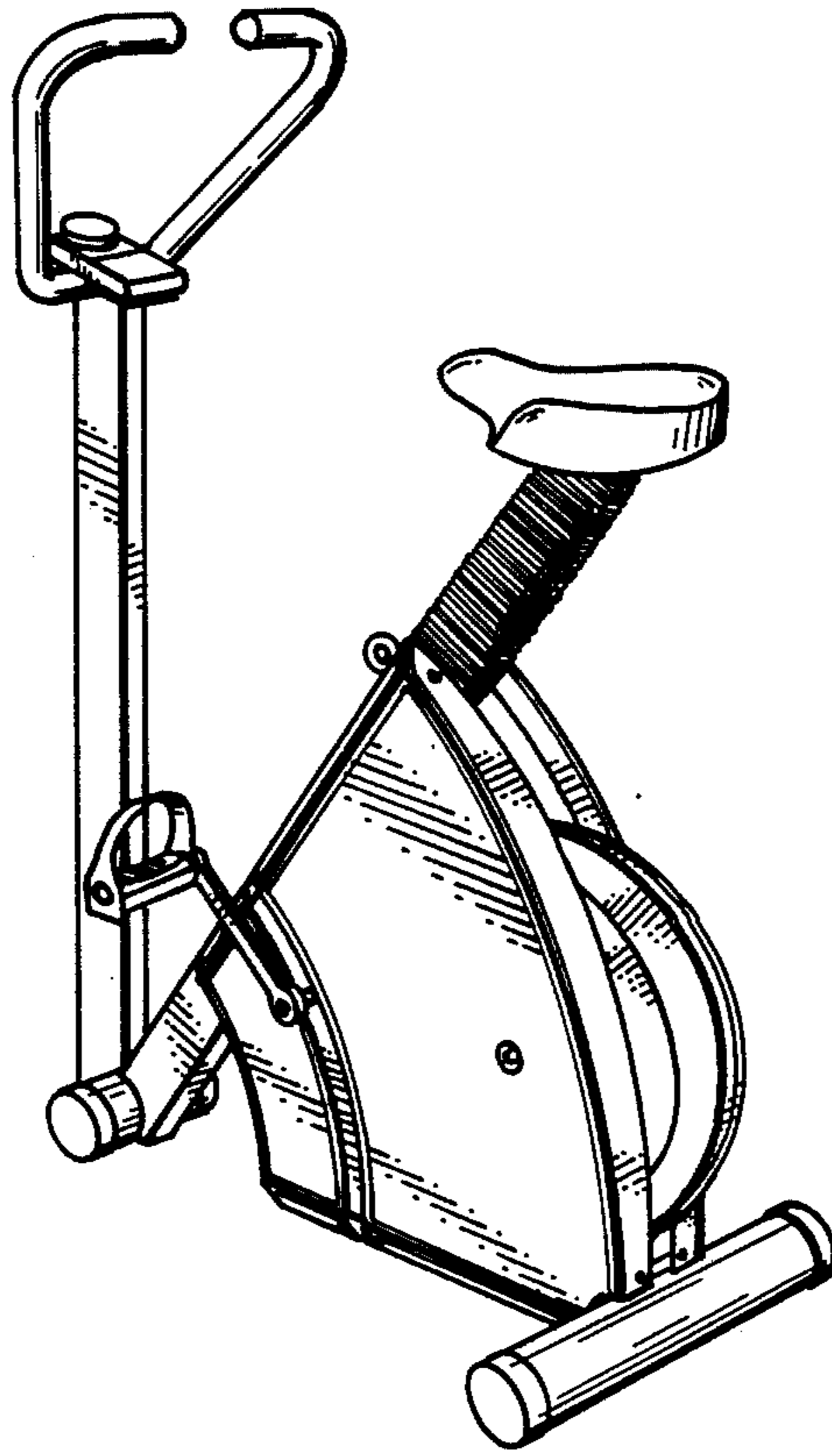


Fig. 1

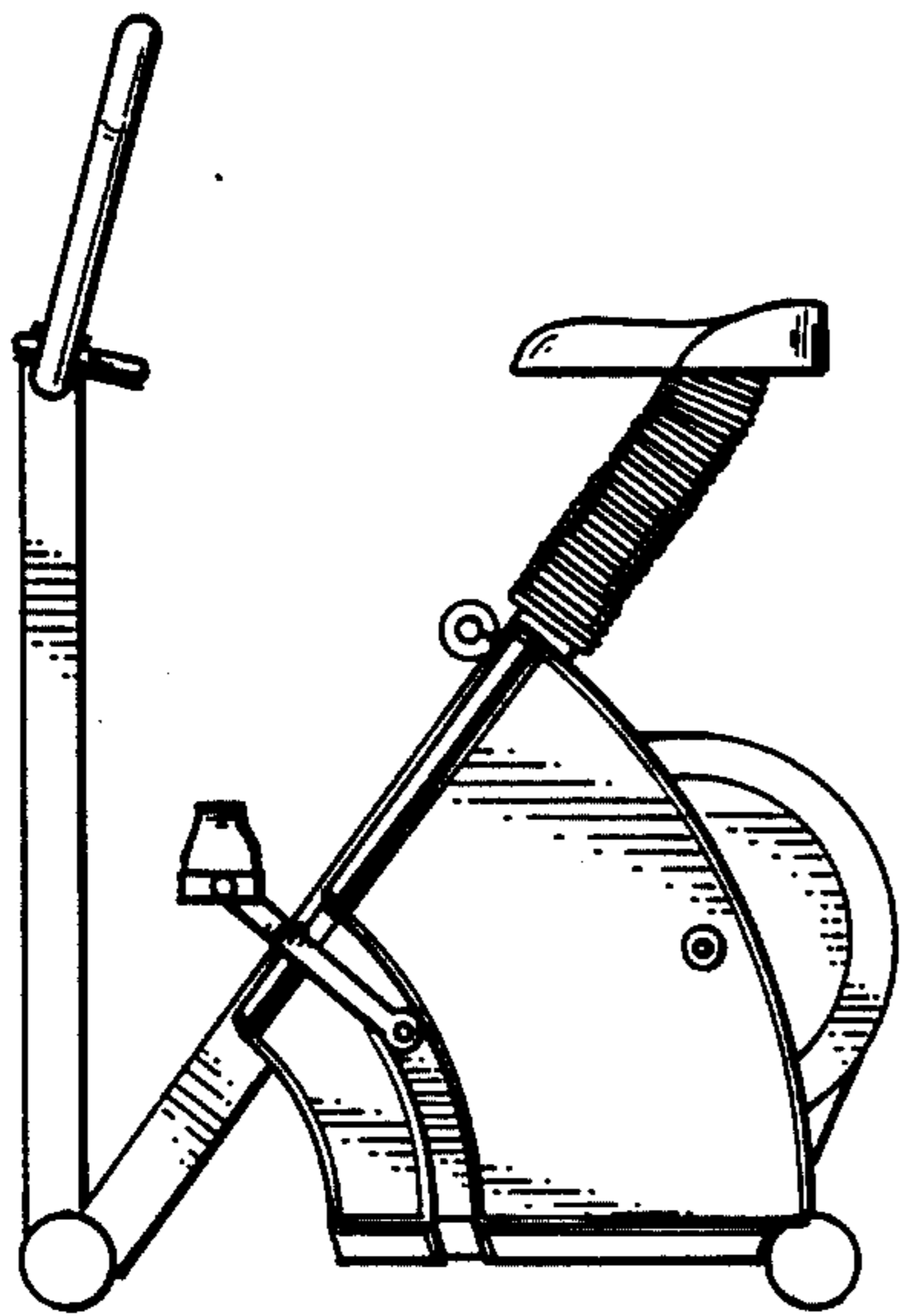


Fig. 2

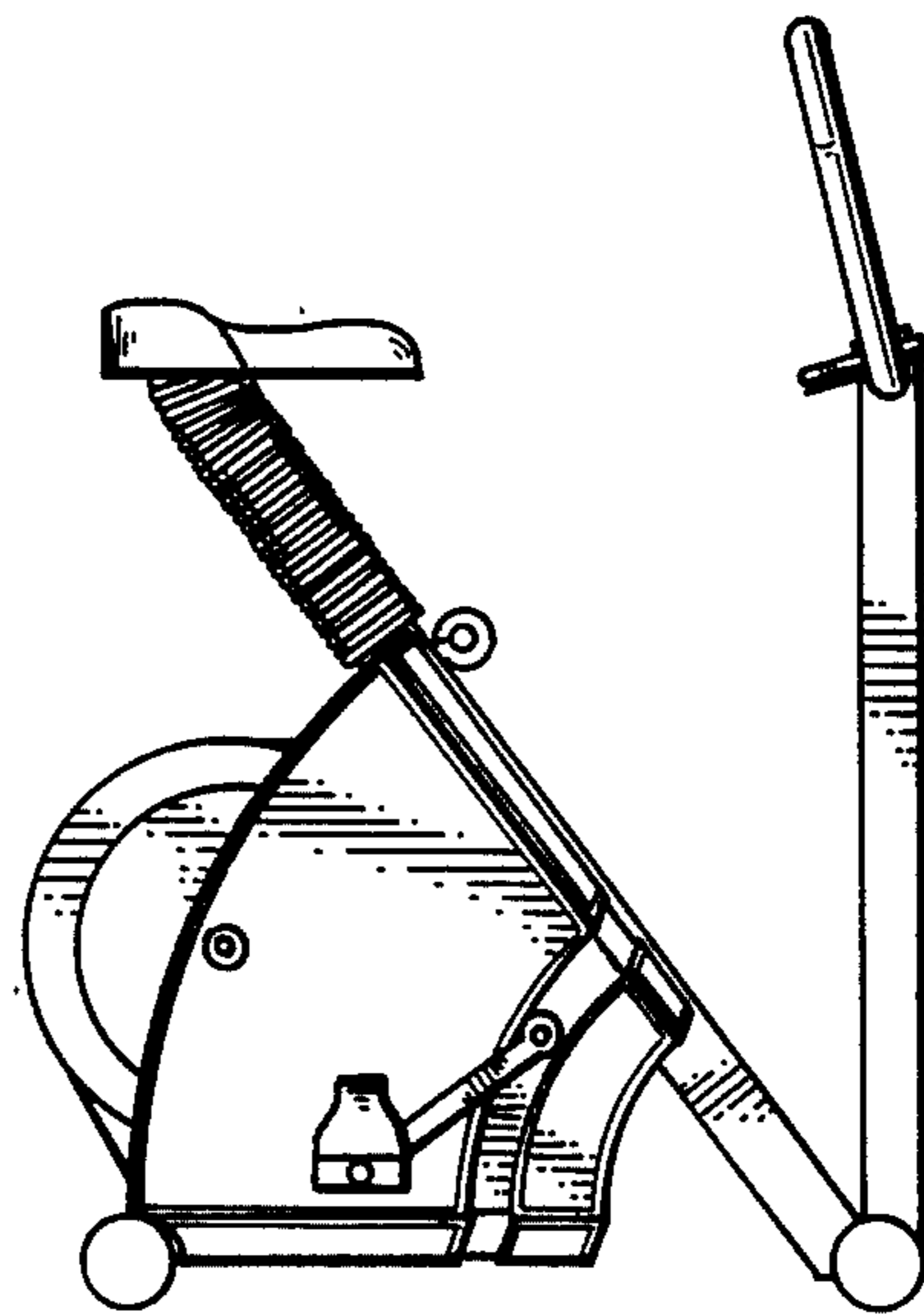


Fig. 3

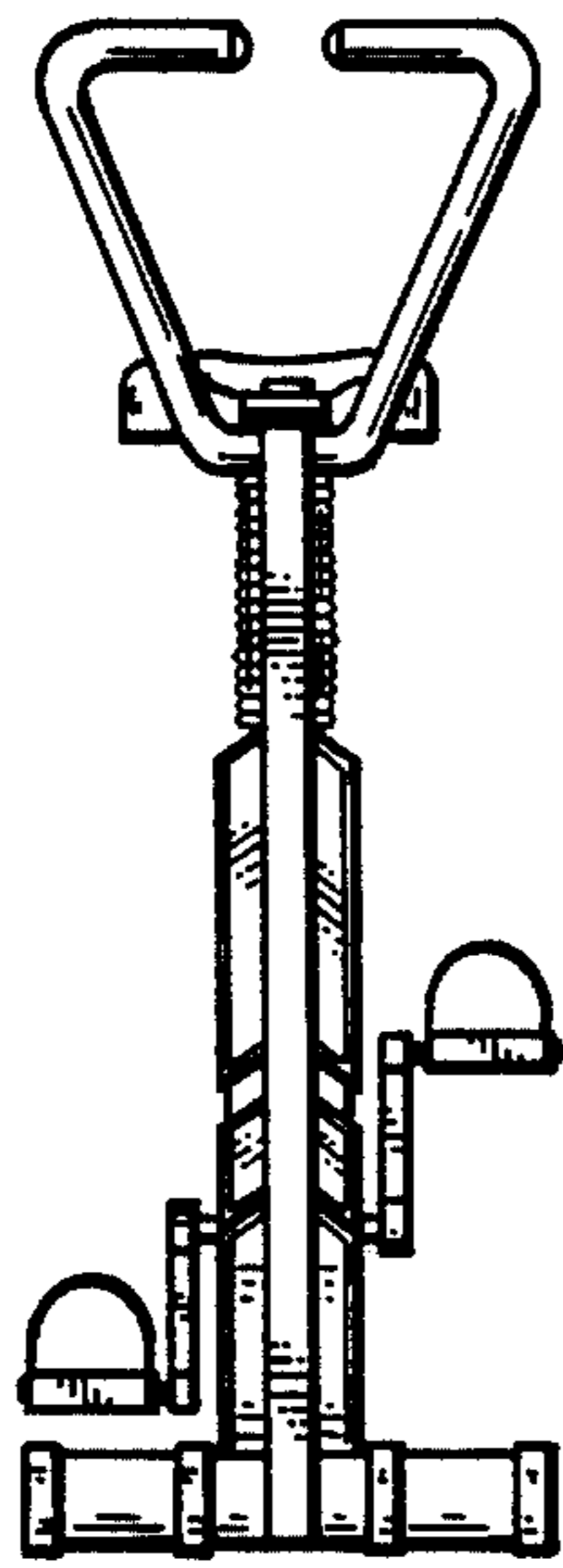


Fig. 4

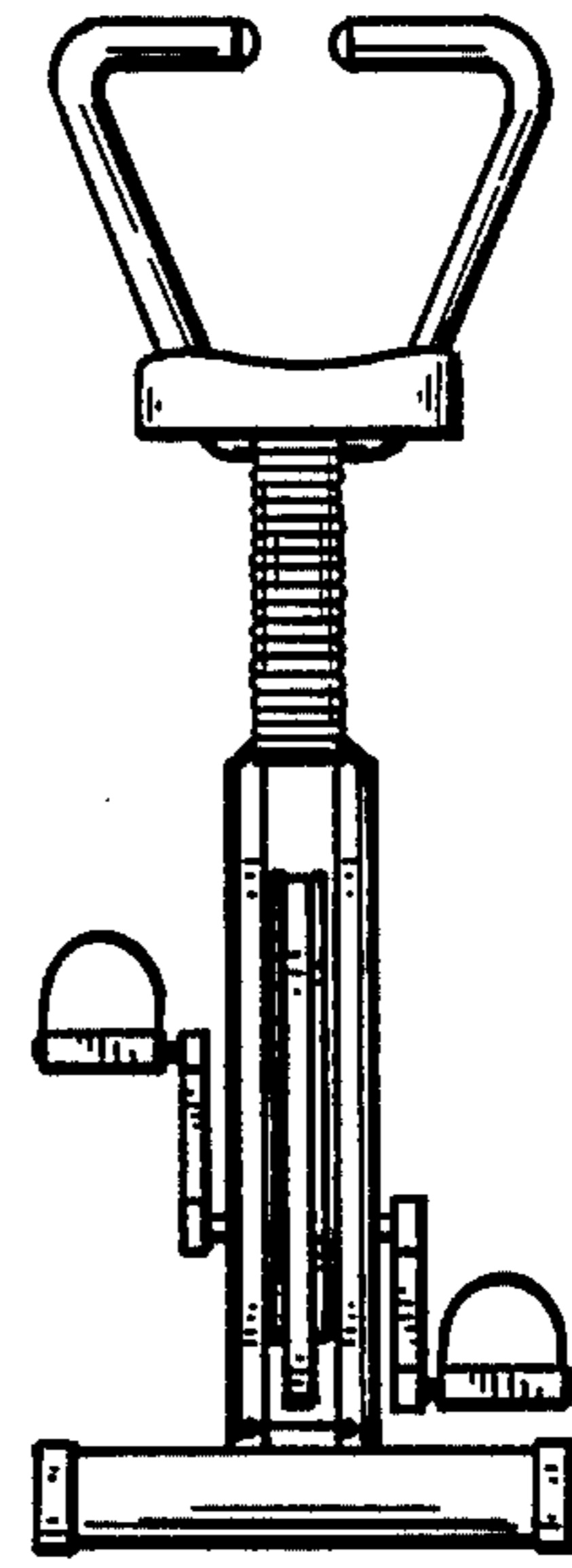


Fig. 5

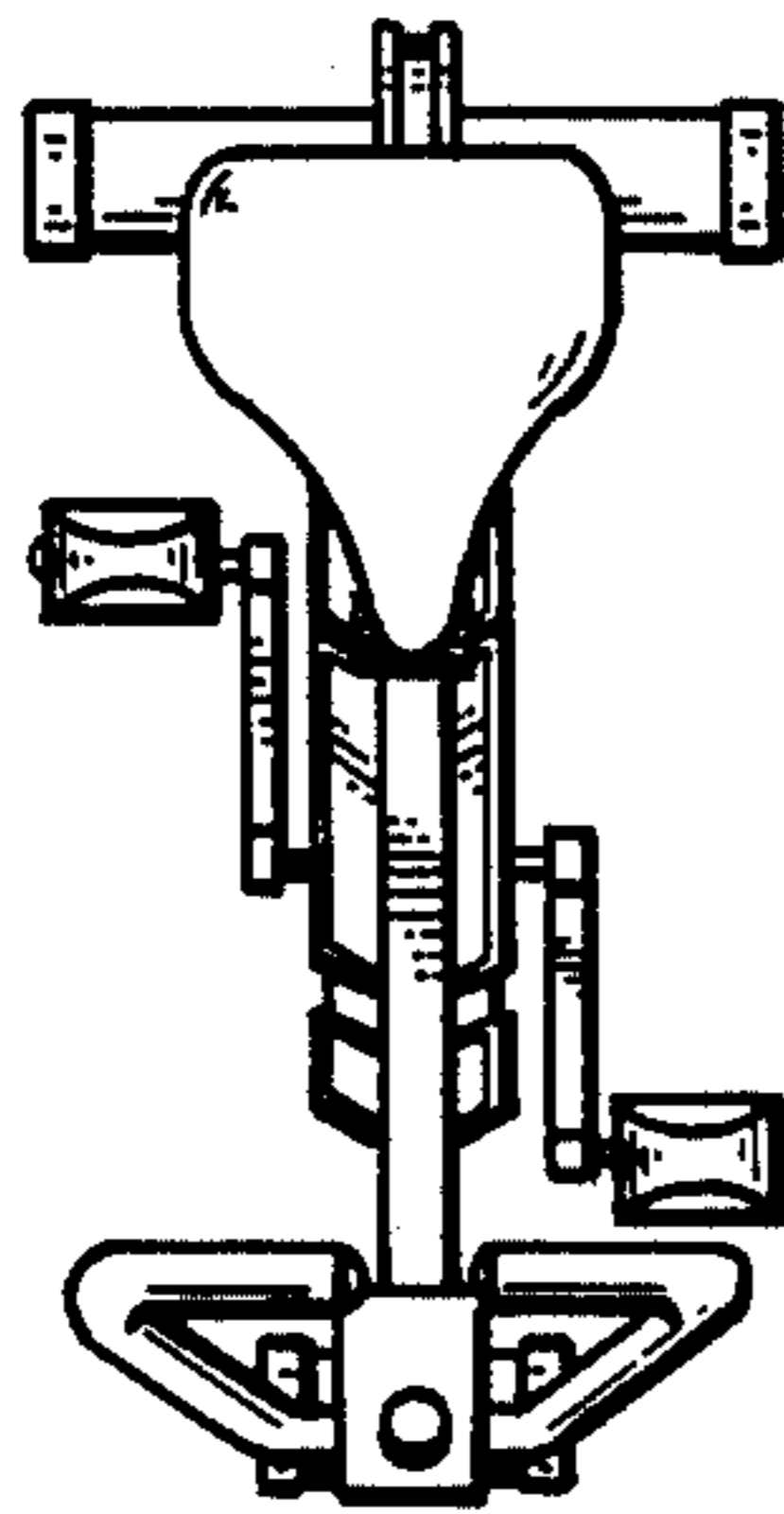


Fig. 6

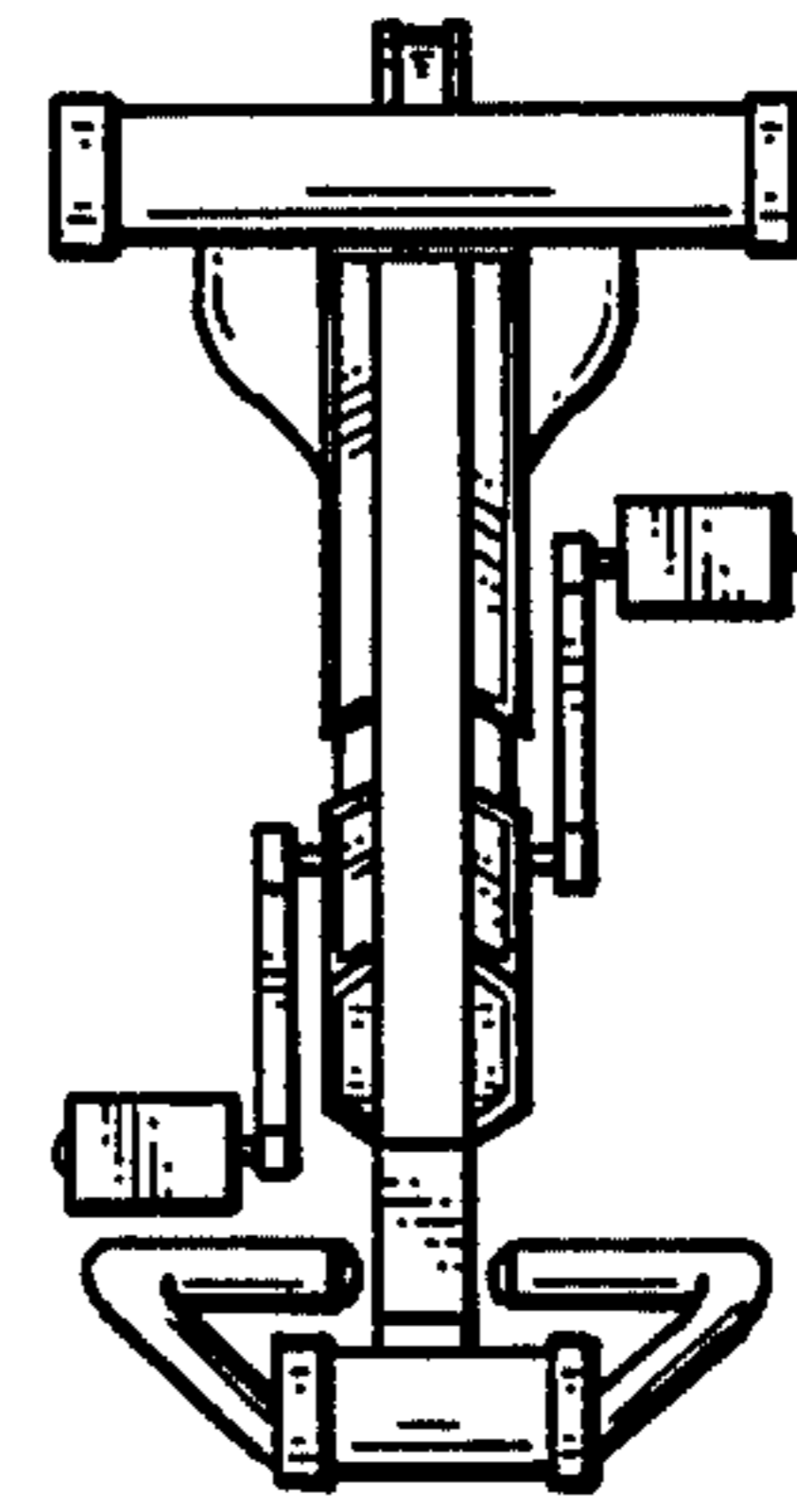


Fig. 7