

[54] **COMBINED SPINNING TOY AND PACKAGE**

[75] **Inventor: Donald Olney, Rochester, N.Y.**

[73] **Assignee: Brimms Inc., Tonawanda, N.Y.**

[\*\*] **Term: 14 Years**

[21] **Appl. No.: 150,710**

[22] **Filed: Feb. 1, 1988**

[52] **U.S. Cl. .... D21/92**

[58] **Field of Search ..... D21/59, 92, 94, 95, D21/96, 97, 98, 99; D9/415; 446/40, 41, 42, 43, 177, 227, 245, 247, 255, 256, 259, 260, 261, 262, 264**

[56] **References Cited**

**U.S. PATENT DOCUMENTS**

D. 195,579	7/1963	Ruderian	.....	D21/92
D. 224,743	9/1972	Harzmann	.....	D21/92
D. 234,122	1/1975	Horblitt	.....	D9/415
D. 241,720	10/1976	Samsing	.....	D9/415
D. 244,428	5/1977	Gardner	.....	D9/415
D. 253,515	11/1979	Meierhoefer	.....	D9/415
D. 301,258	5/1989	Olney	.....	D21/95
1,139,119	5/1915	Heidenreich	.....	446/256

1,262,061	4/1918	Kristofek	.....	D21/96
1,319,123	10/1919	Simon	.....	446/256
3,116,829	1/1964	Pacelli	.	
3,402,810	9/1968	Percelay	.	
3,847,276	11/1974	Lehner et al.	.	
3,891,088	6/1975	Huebner	.	
3,972,417	8/1976	Iten et al.	.	
4,165,805	8/1979	Fethke et al.	.	
4,179,029	12/1979	Fethke et al.	.	
4,359,158	11/1982	Gringer	.	

*Primary Examiner*—Charles A. Rademaker

*Assistant Examiner*—Alicia A. Farrell

*Attorney, Agent, or Firm*—Edwin T. Bean, Jr.; Martin G. Linihan; John C. Thompson

[57] **CLAIM**

The ornamental design for a combined spinning toy and package, as shown and described.

**DESCRIPTION**

FIG. 1 is a front elevational view of a combined spinning toy and package showing my new design; FIG. 2 is a top plan view thereof; FIG. 3 is a bottom plan view thereof; FIG. 4 is a left side elevational view thereof; and FIG. 5 is a right side elevational view thereof.

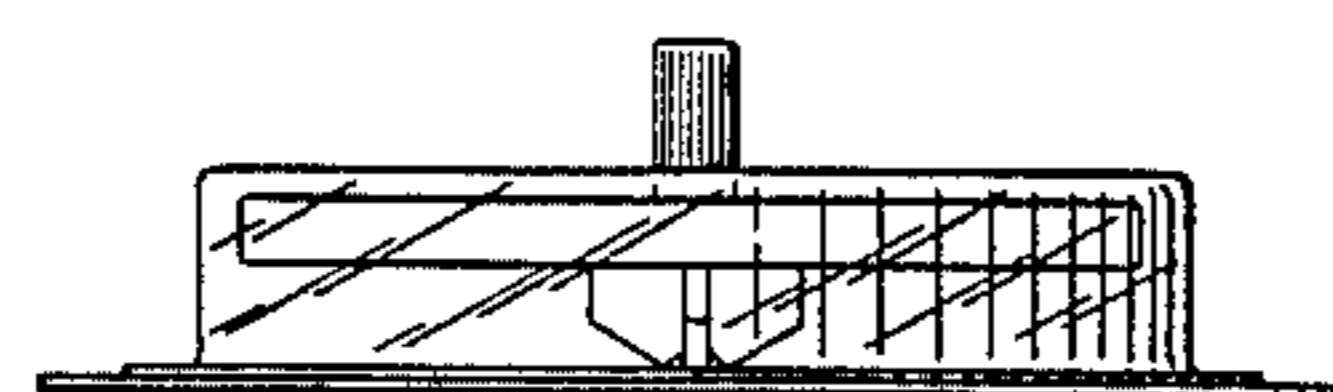
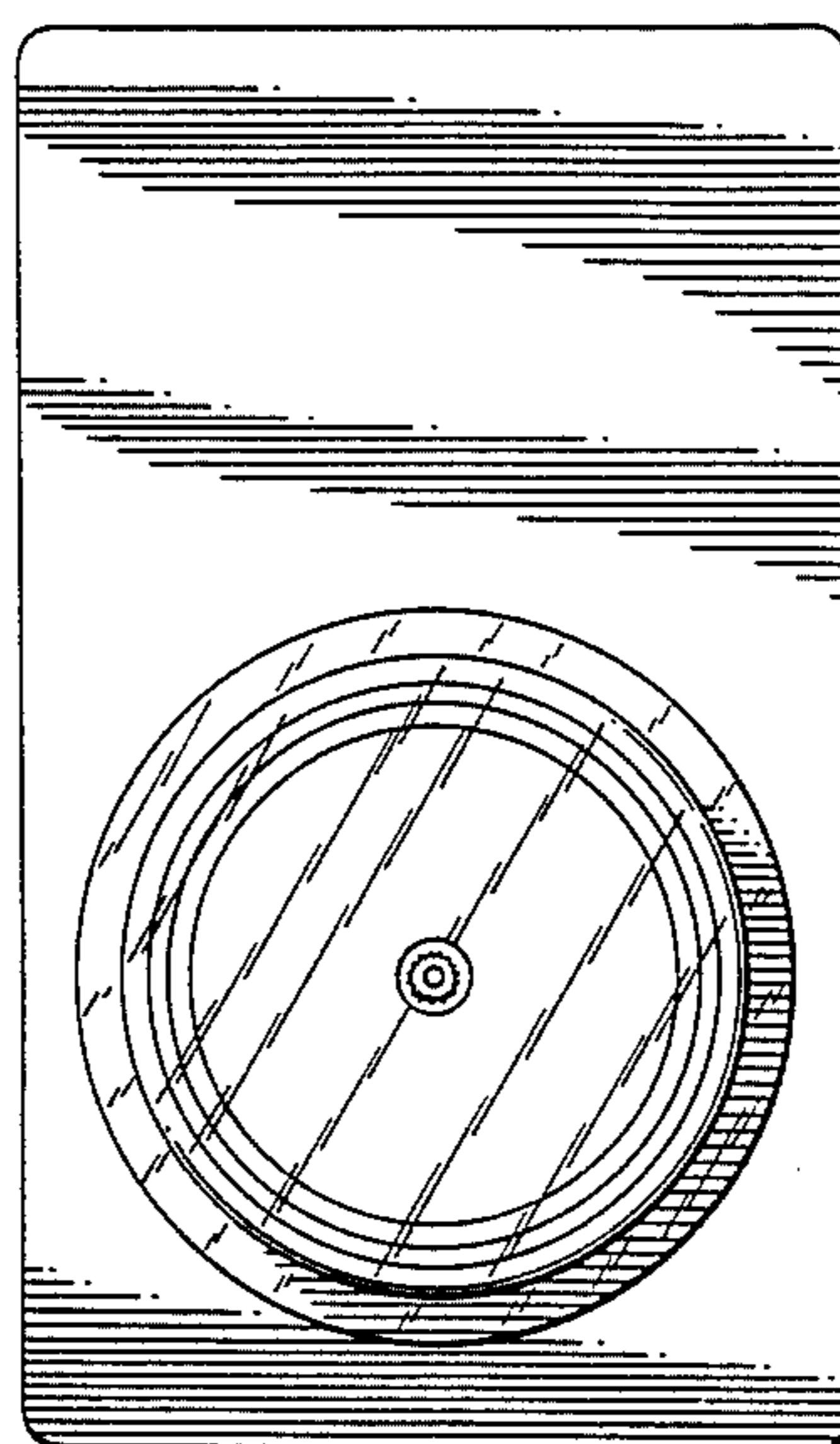


Fig. 2.

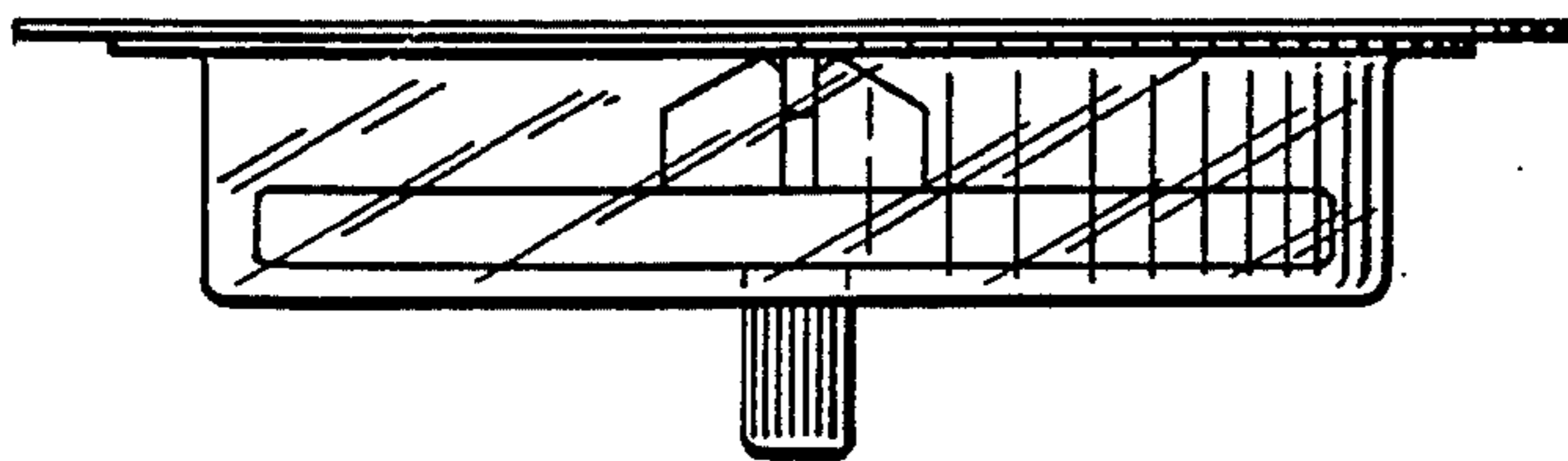


Fig. 4.

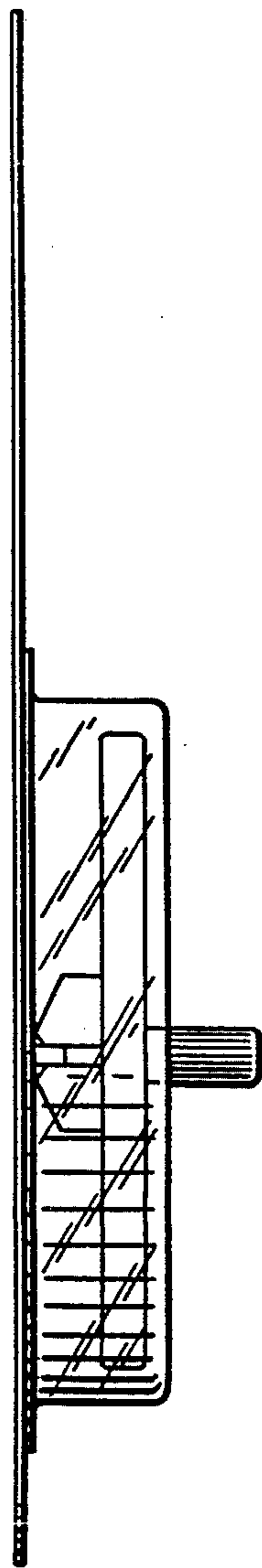


Fig. 1.

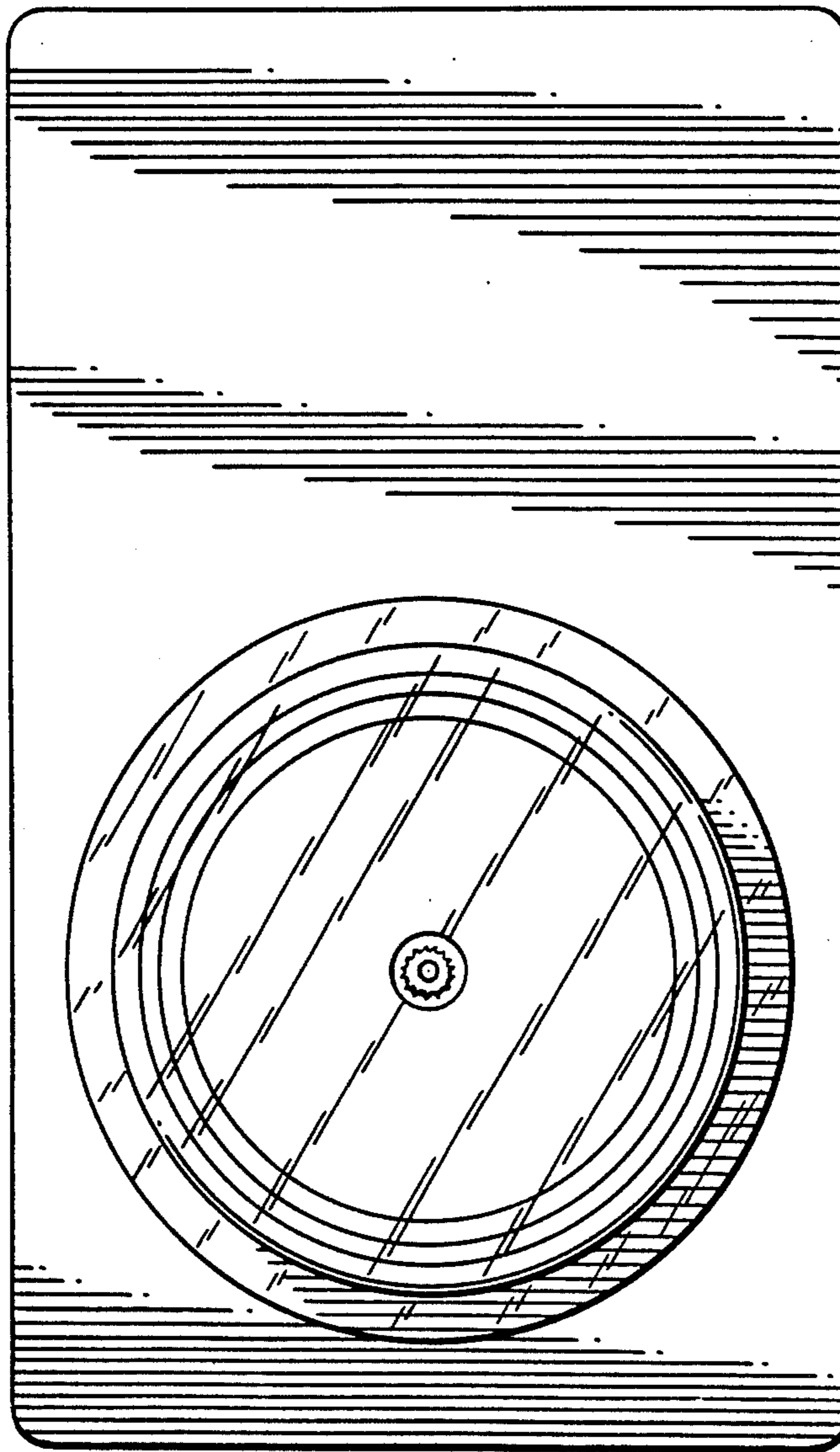


Fig. 5.

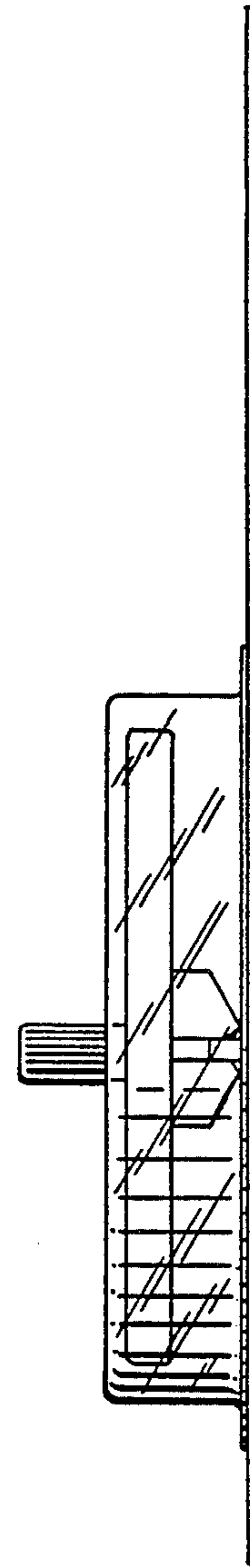


Fig. 3.

