

[54] COMBINED PLURAL DESK ARTICLE UNIT AND HOLDER THEREFOR

[75] Inventor: Seishiro Murai, Tokyo, Japan

[73] Assignee: Kabushiki Kaisha Beetland, Japan

[**] Term: 14 Years

[21] Appl. No.: 73,416

[22] Filed: Jul. 14, 1987

[52] U.S. Cl. D19/75; D19/67

[58] Field of Search D19/65, 75, 67-69, D19/77, 78, 80, 81, 82, 95; D21/85, 87, 77

[56] References Cited

U.S. PATENT DOCUMENTS

- D. 225,248 11/1972 Ostrander D21/87
- D. 234,212 1/1975 Morin et al. D21/87 X
- D. 243,107 1/1977 Yeung D21/87
- D. 243,108 1/1977 Yeung D21/87

- D. 243,109 1/1977 Yeung D21/87
- D. 243,205 1/1977 Yeung D21/87 X
- D. 249,176 8/1978 Loomis D21/87
- D. 265,488 7/1982 Appel et al. D21/87

Primary Examiner—Bruce W. Dunkins
Assistant Examiner—Martha Thompson
Attorney, Agent, or Firm—R. Gale Rhodes, Jr.

[57] CLAIM

The ornamental design for a combined plural desk article unit and holder therefor, as shown.

DESCRIPTION

FIG. 1 is a top plan view of a combined plural desk article unit and holder therefor showing my new design; FIG. 2 is a left side elevational view; FIG. 3 is a front elevational view; FIG. 4 is a rear elevational view; FIG. 5 is a bottom plan view; FIG. 6 is a right side elevational view; and FIG. 7 is a front perspective view thereof.

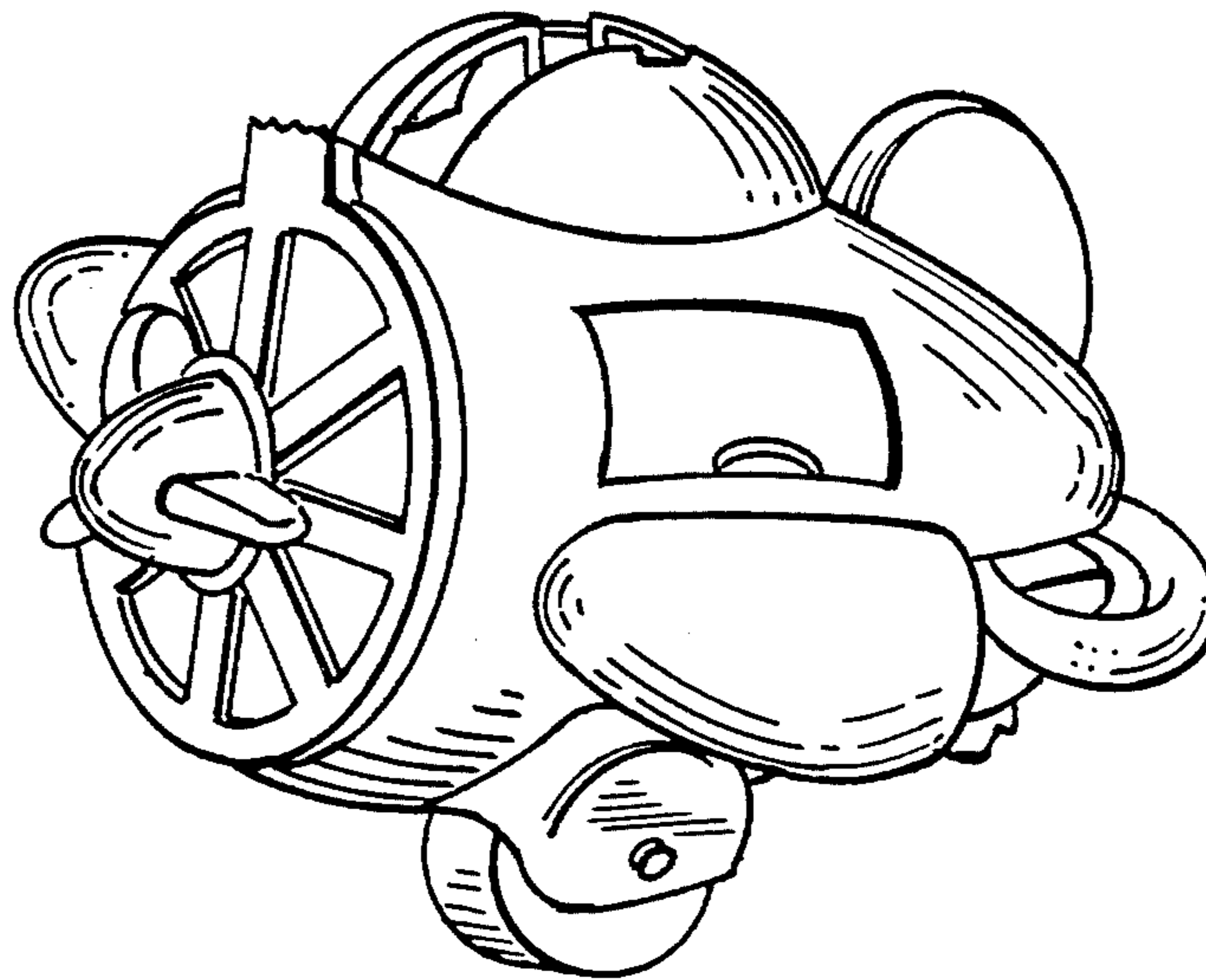


FIG. 1

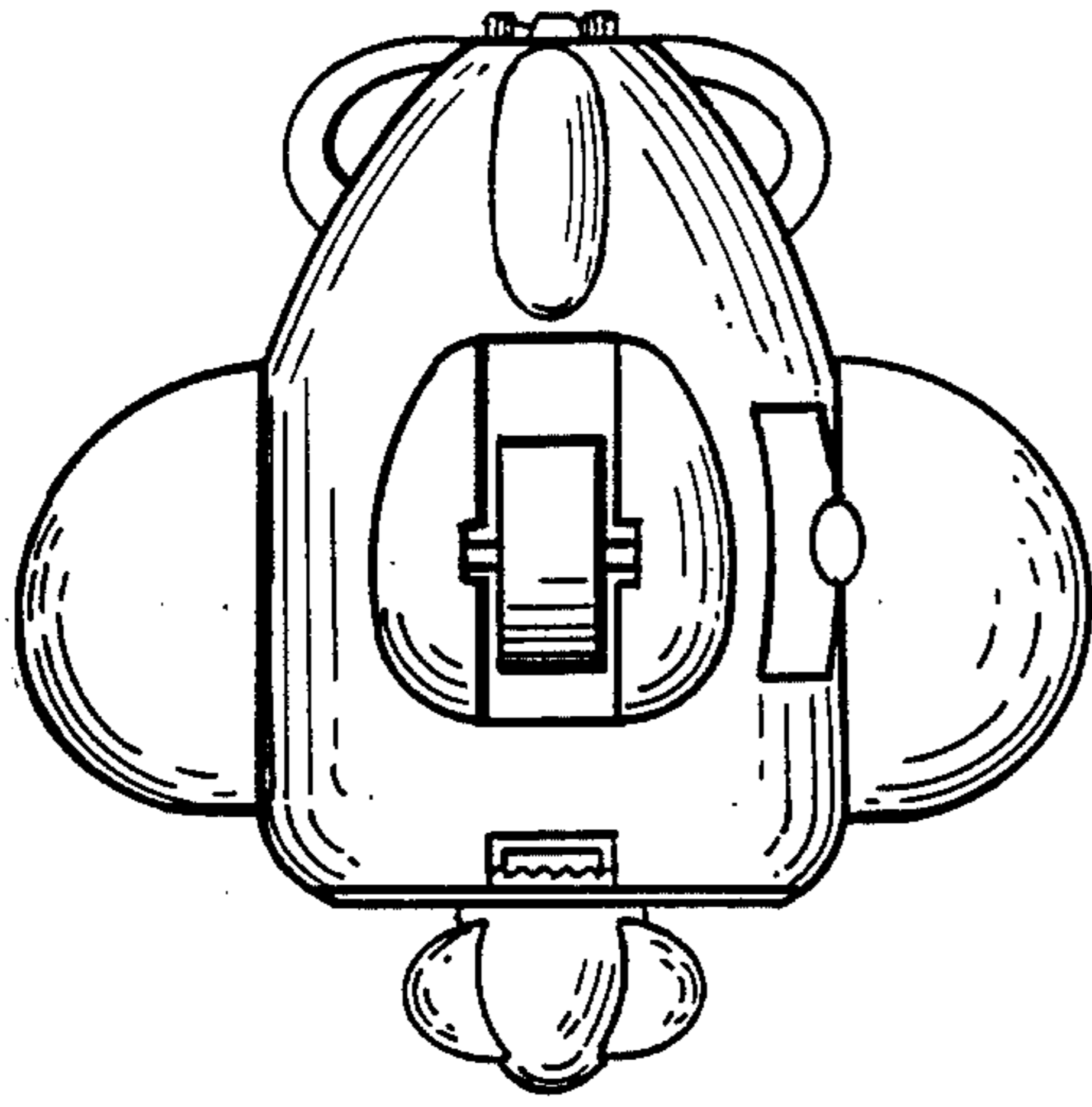


FIG. 2

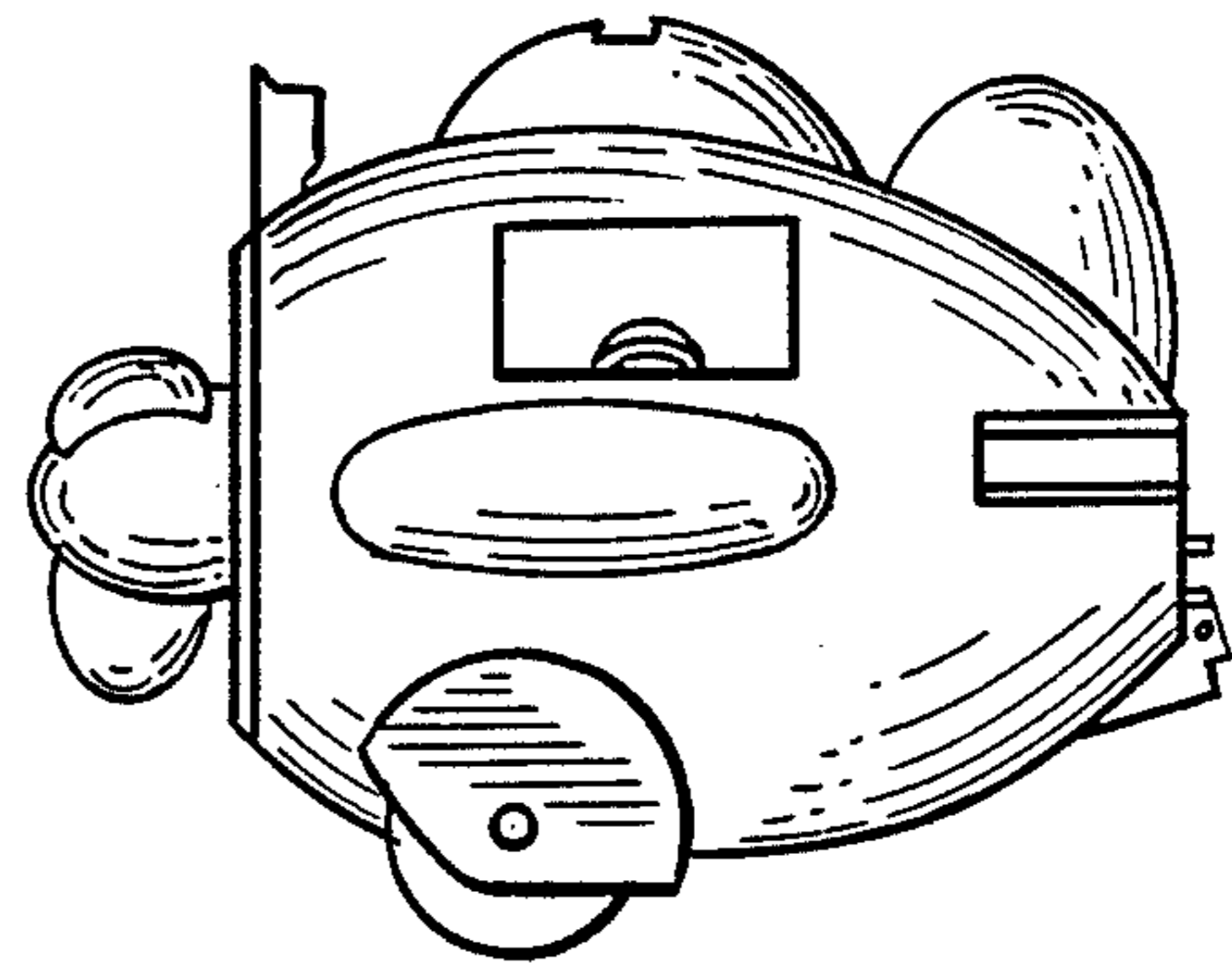


FIG. 3

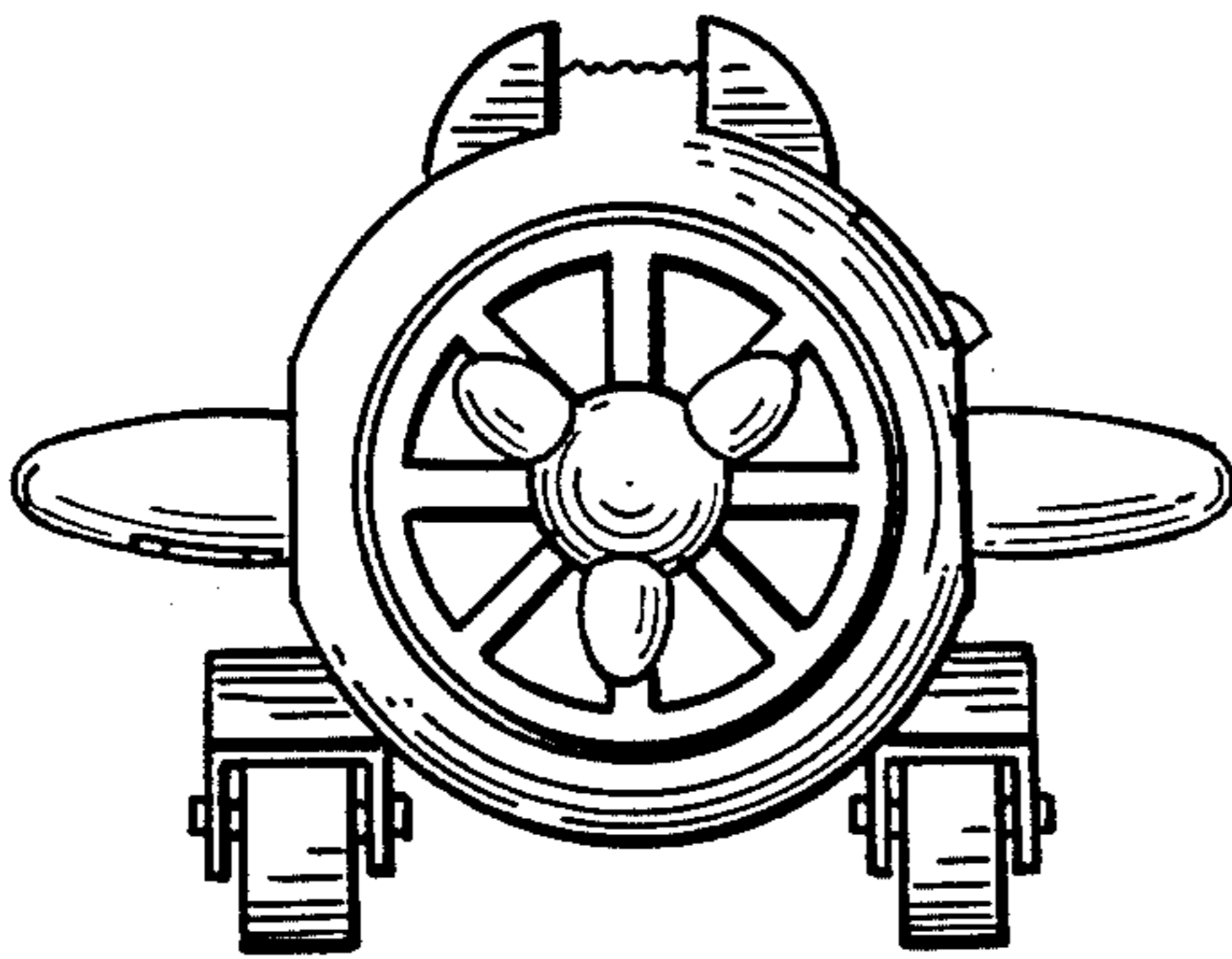


FIG. 4

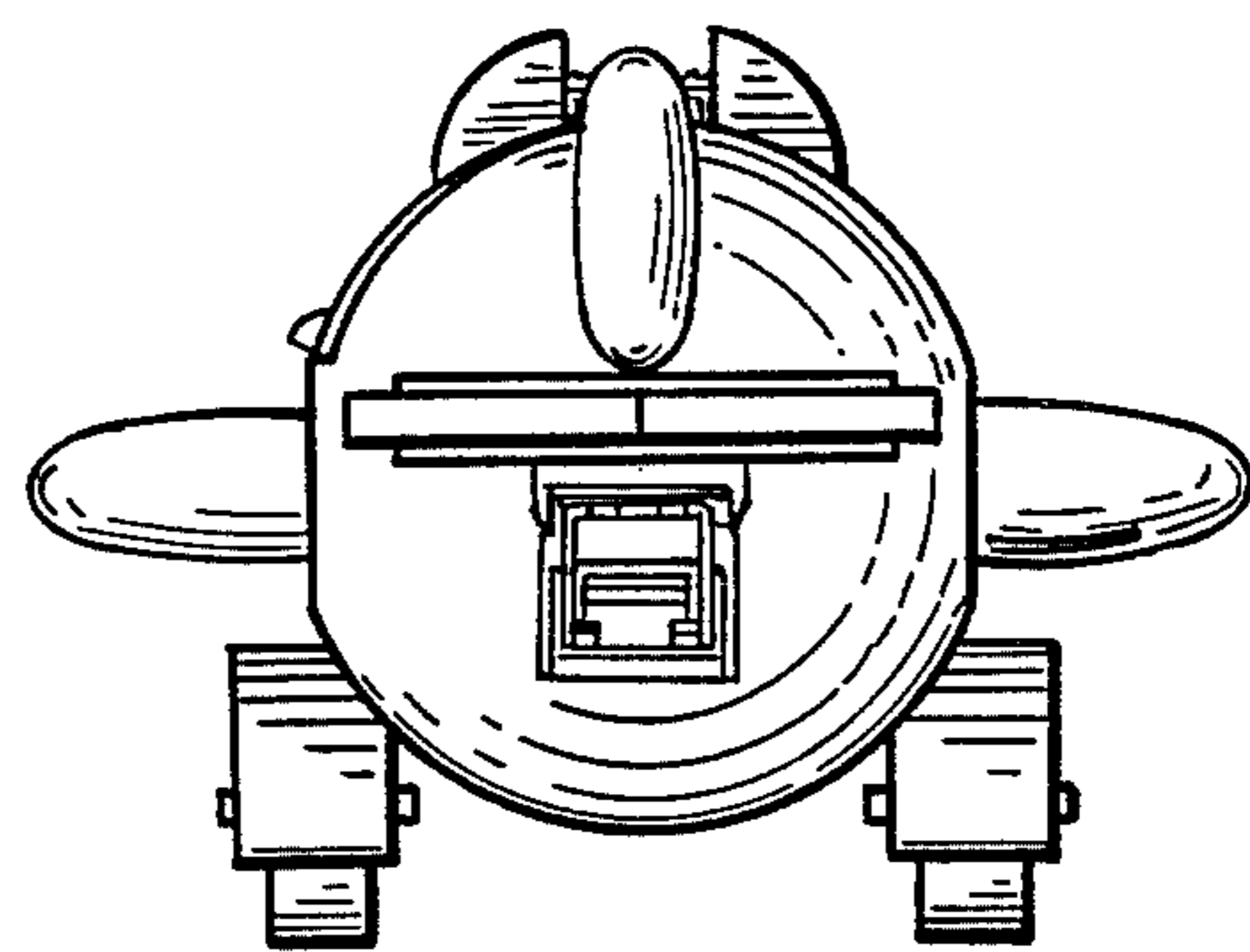


FIG. 5

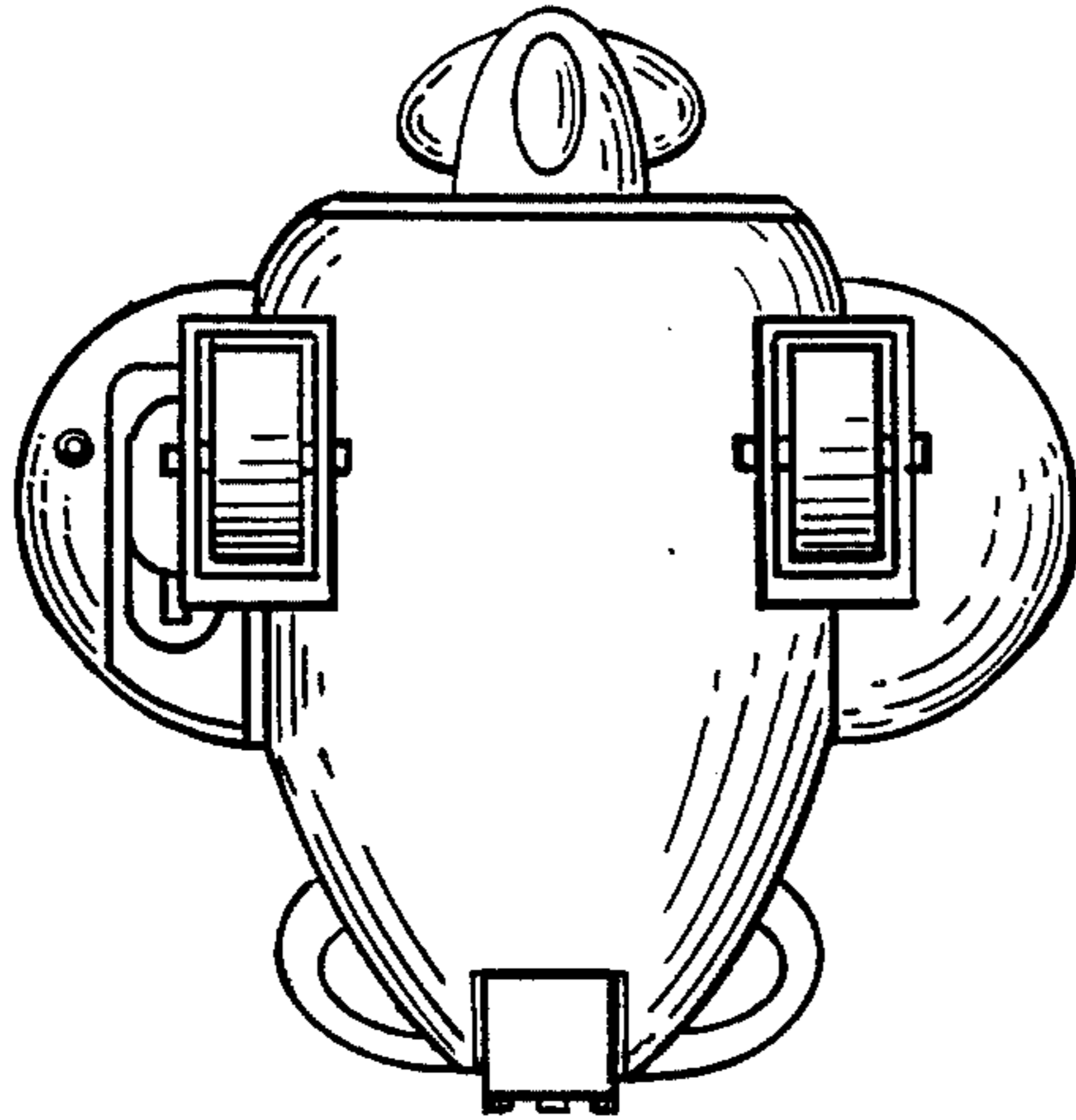


FIG. 6

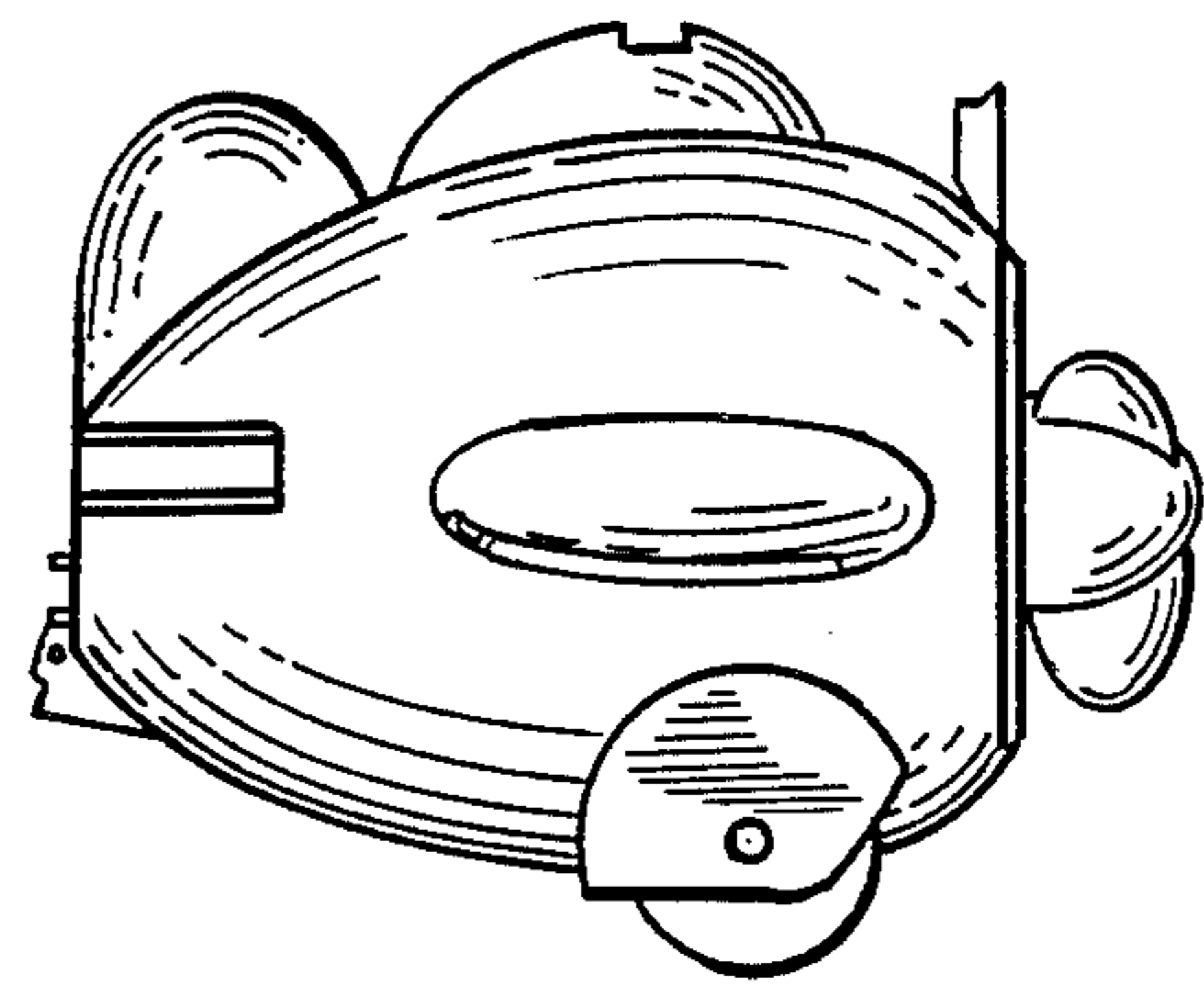


FIG. 7

