

[54] TYPEWRITER

4,620,808 11/1986 Kurtin et al. 400/691 X
4,768,164 8/1988 Dreher 400/109 X

[75] Inventor: Kuniyasu Matsumoto, Osaka, Japan

[73] Assignee: Sharp Corporation, Osaka, Japan

[**] Term: 14 Years

[21] Appl. No.: 55,775

[22] Filed: May 29, 1987

[30] Foreign Application Priority Data

Dec. 1, 1986 [JP] Japan 61-47704

[52] U.S. Cl. D18/2; D18/1

[58] Field of Search D18/1, 2, 3, 7, 11;
D14/100, 106, 113; 235/145 A, 145 R;
312/208; 340/700, 706, 711, 712; 341/20-23;
364/706-708; 400/109-111, 83, 122, 472, 485,
486, 489, 690.2-694

[56] References Cited

U.S. PATENT DOCUMENTS

D. 285,804 9/1986 Cathey D18/2
D. 295,288 4/1988 Omino et al. D18/1
D. 300,146 3/1989 Tsukada D18/1

OTHER PUBLICATIONS

IBM Technical Disclosure Bulletin; vol. 24, No. 7B, Dec. 1981; p. 3981; CRT Mounting for Typewriter by J. P. Wang.

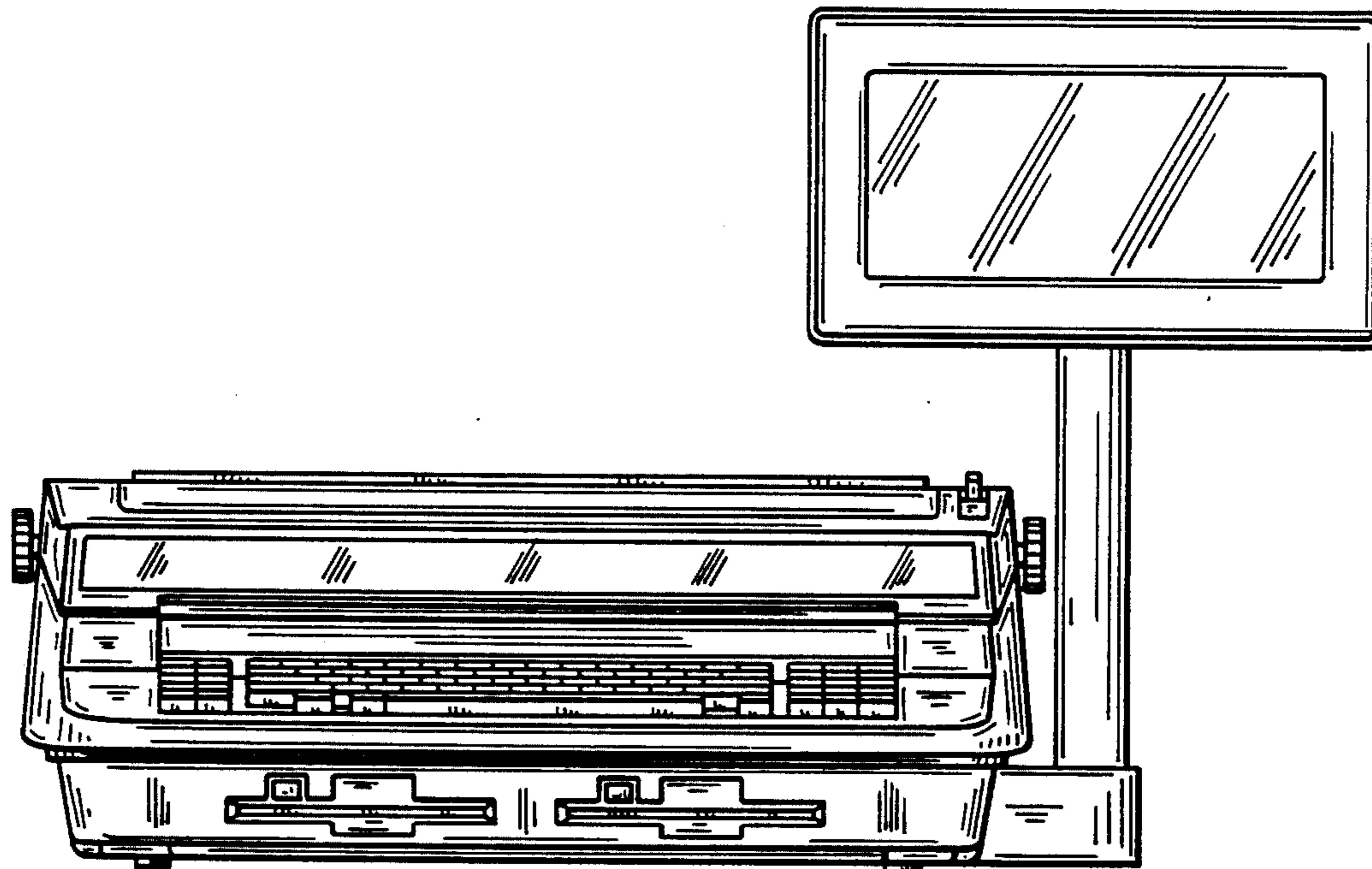
Primary Examiner—Nelson C. Holtje
Assistant Examiner—Caron D. Veynar
Attorney, Agent, or Firm—Flehr, Hohbach, Test, Albritton & Herbert

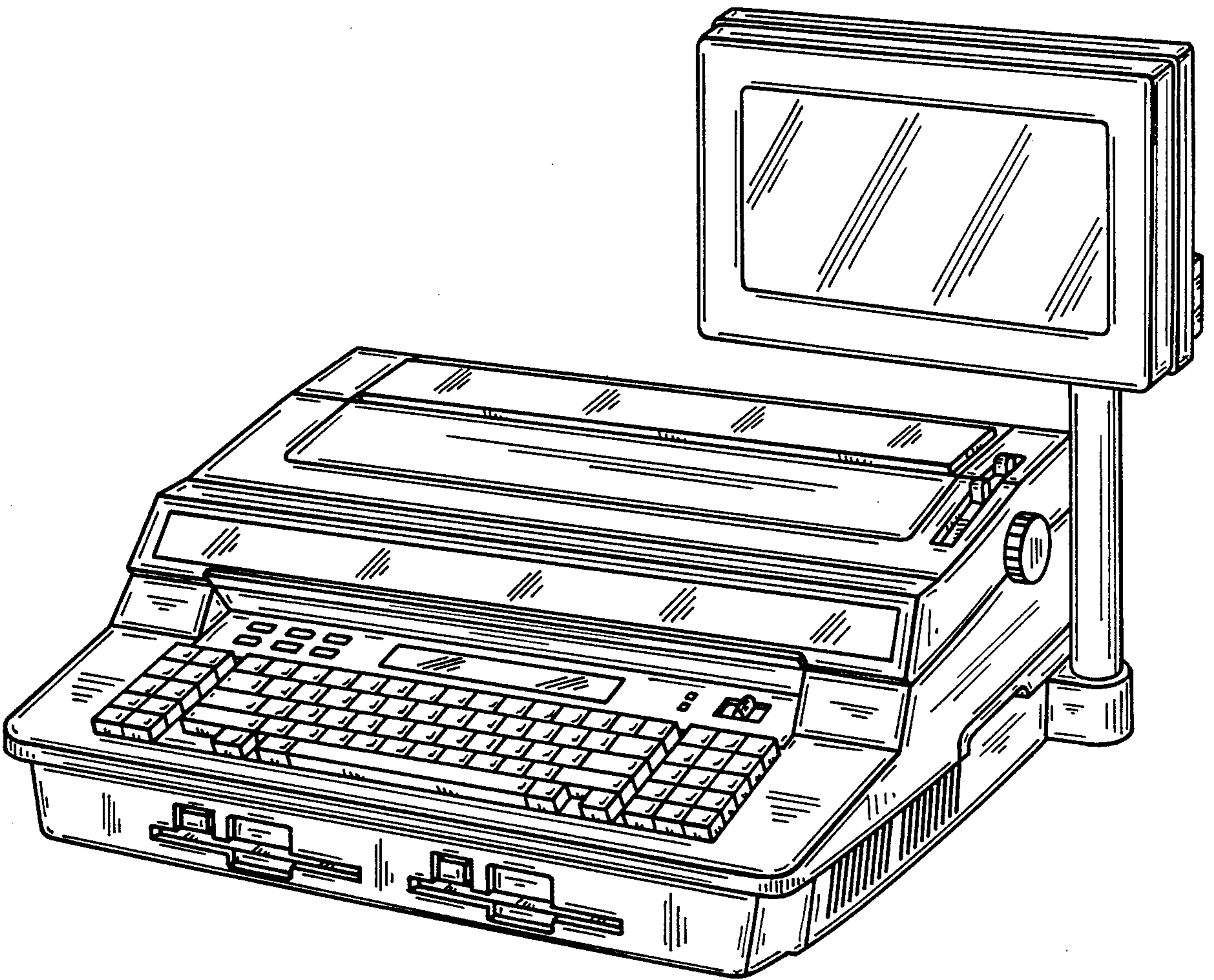
[57] CLAIM

The ornamental design for a typewriter, as shown and described.

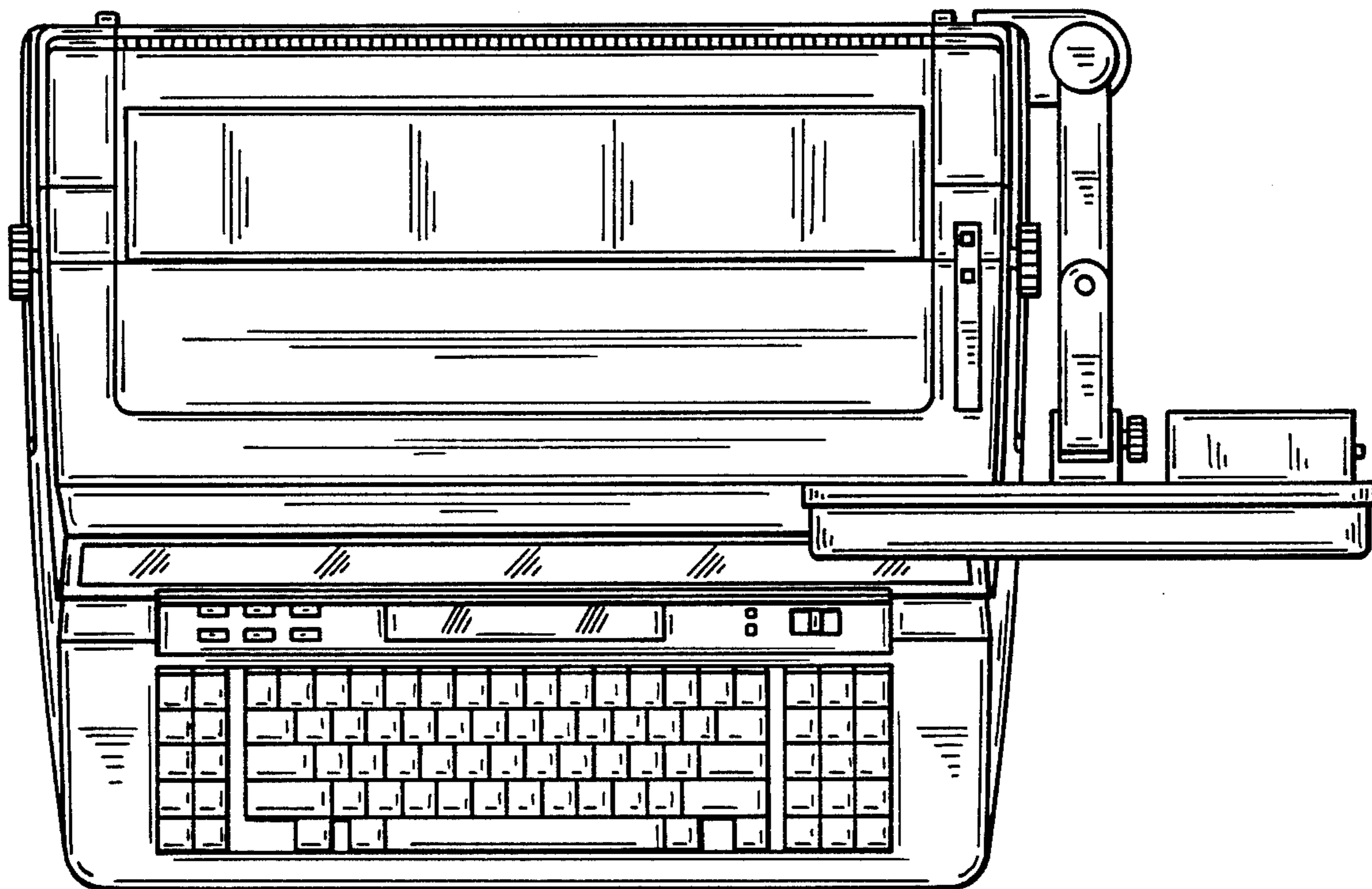
DESCRIPTION

FIG. 1 is a perspective view of the typewriter showing my new design;
FIG. 2 is a top plan view thereof;
FIG. 3 is a bottom plan view thereof;
FIG. 4 is a front elevational view thereof;
FIG. 5 is a rear elevational view thereof;
FIG. 6 is a right side elevational view thereof; and
FIG. 7 is a left side elevational view thereof.

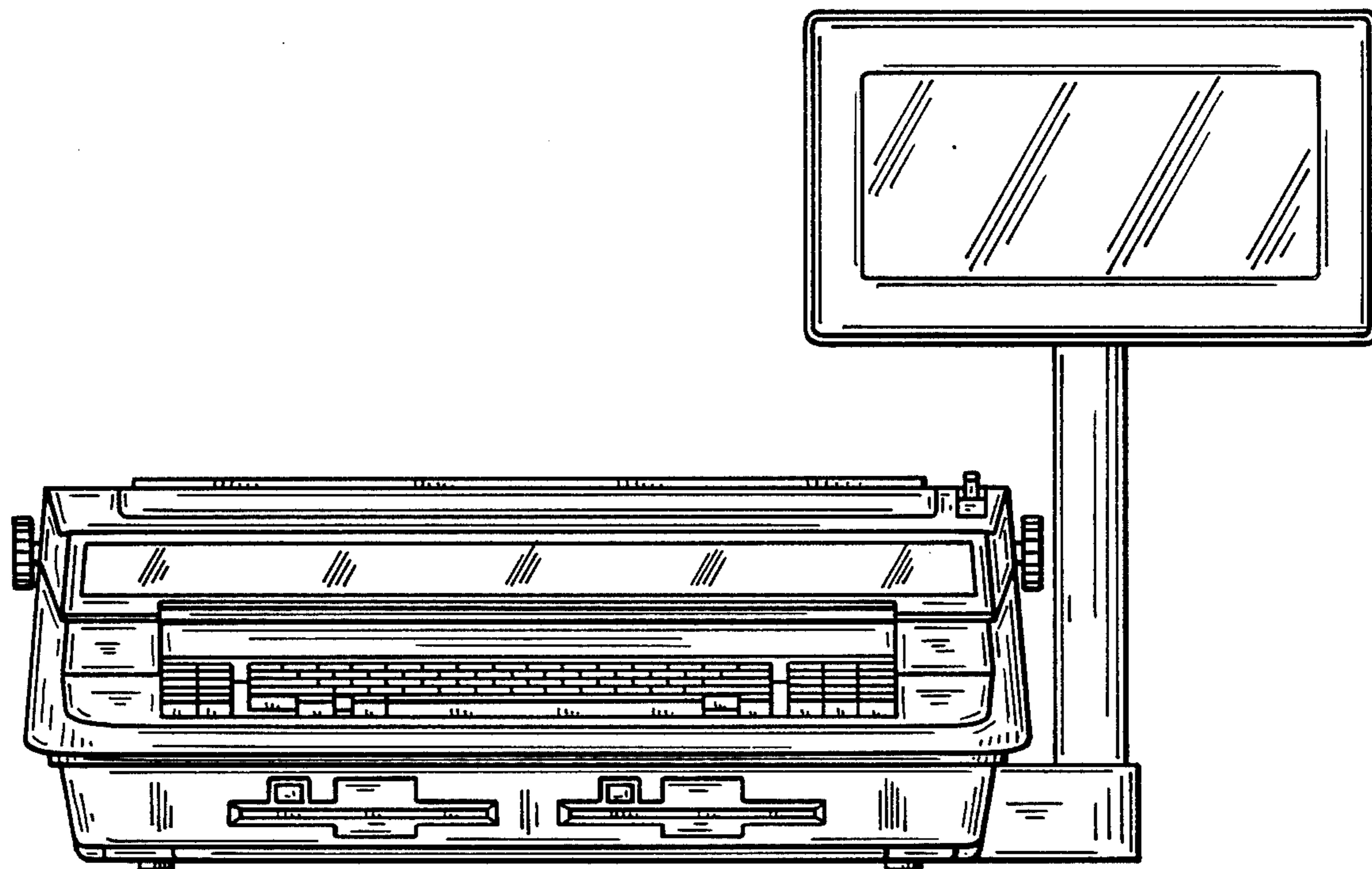




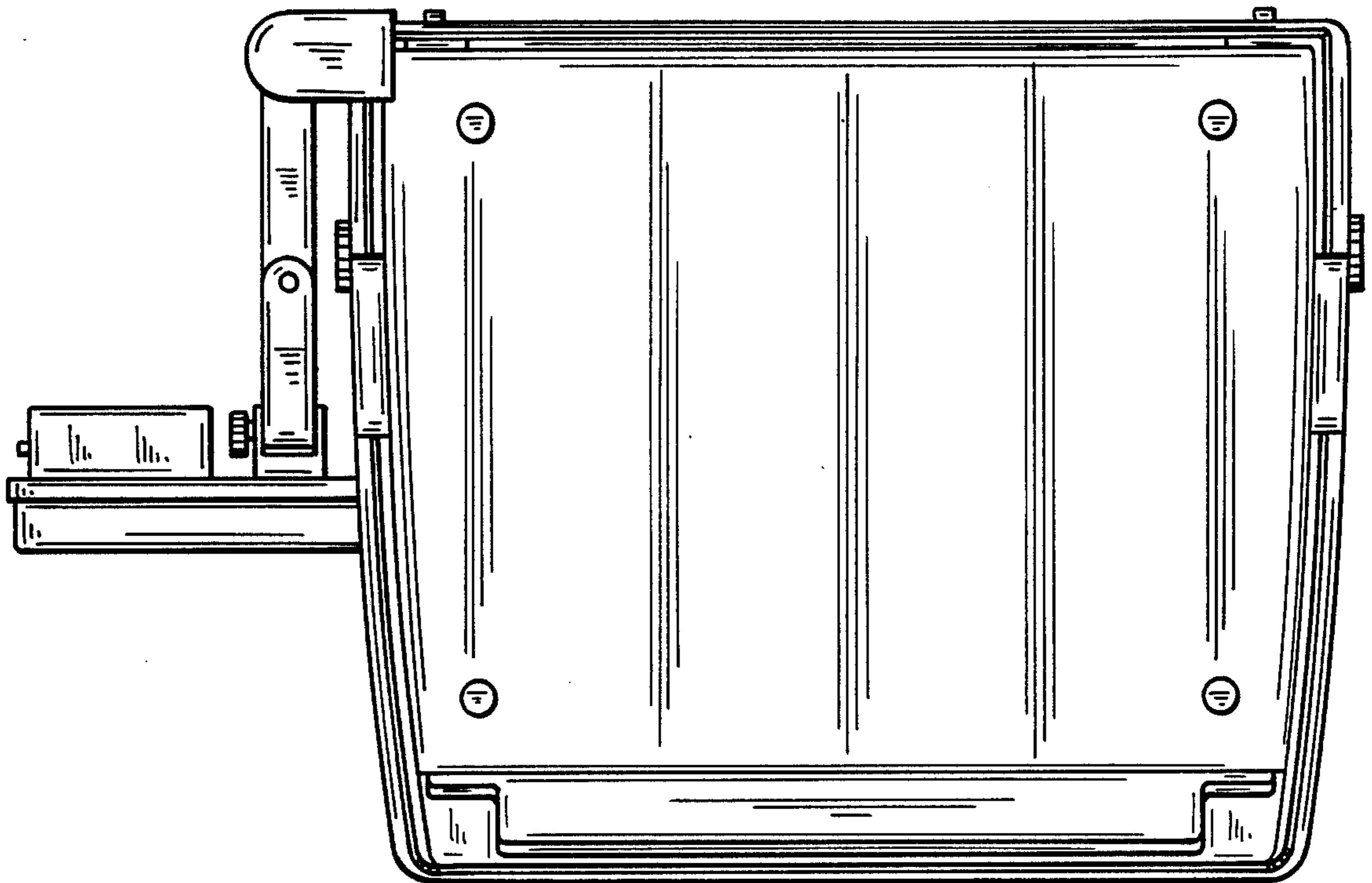
FIG_1



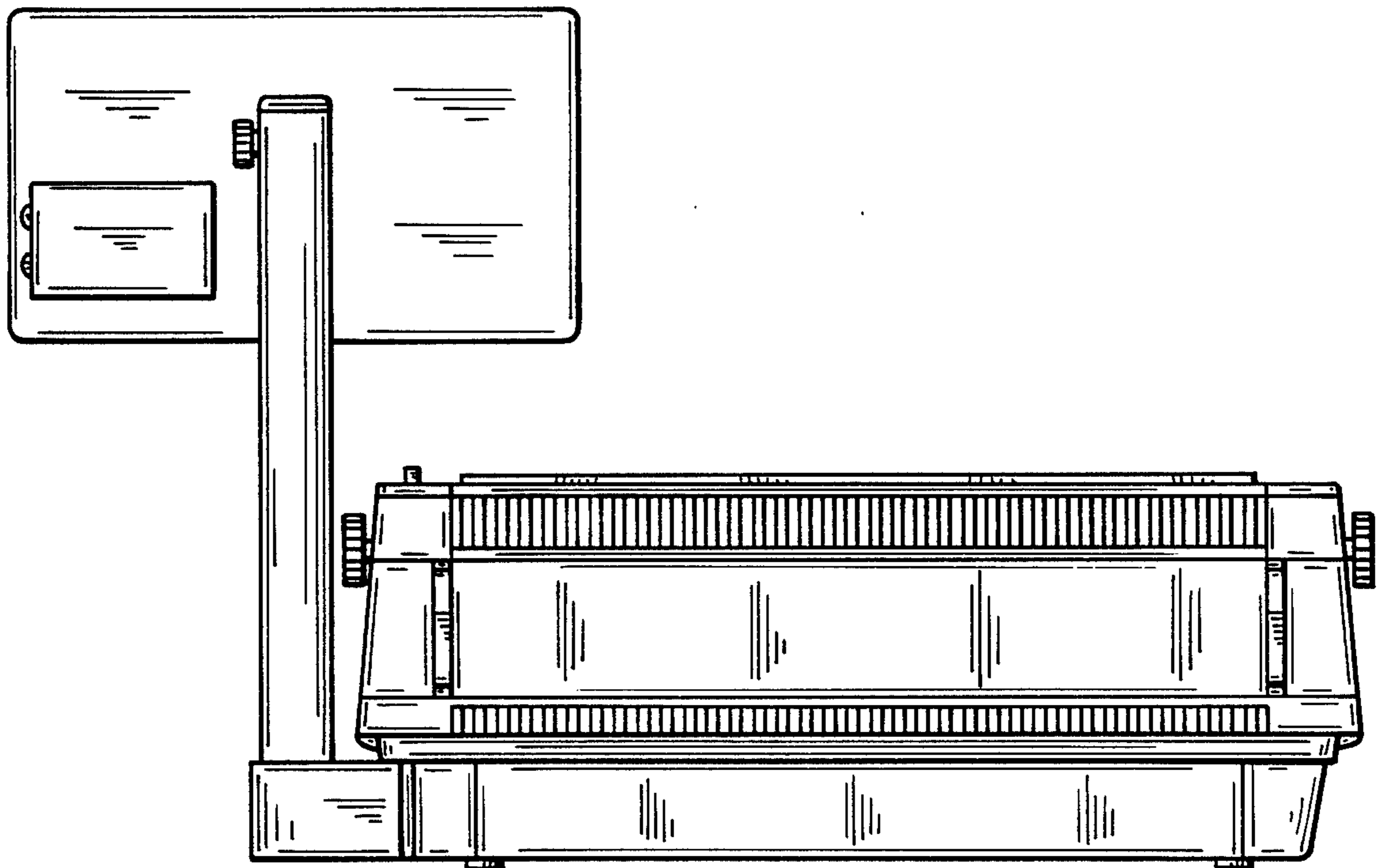
FIG_2



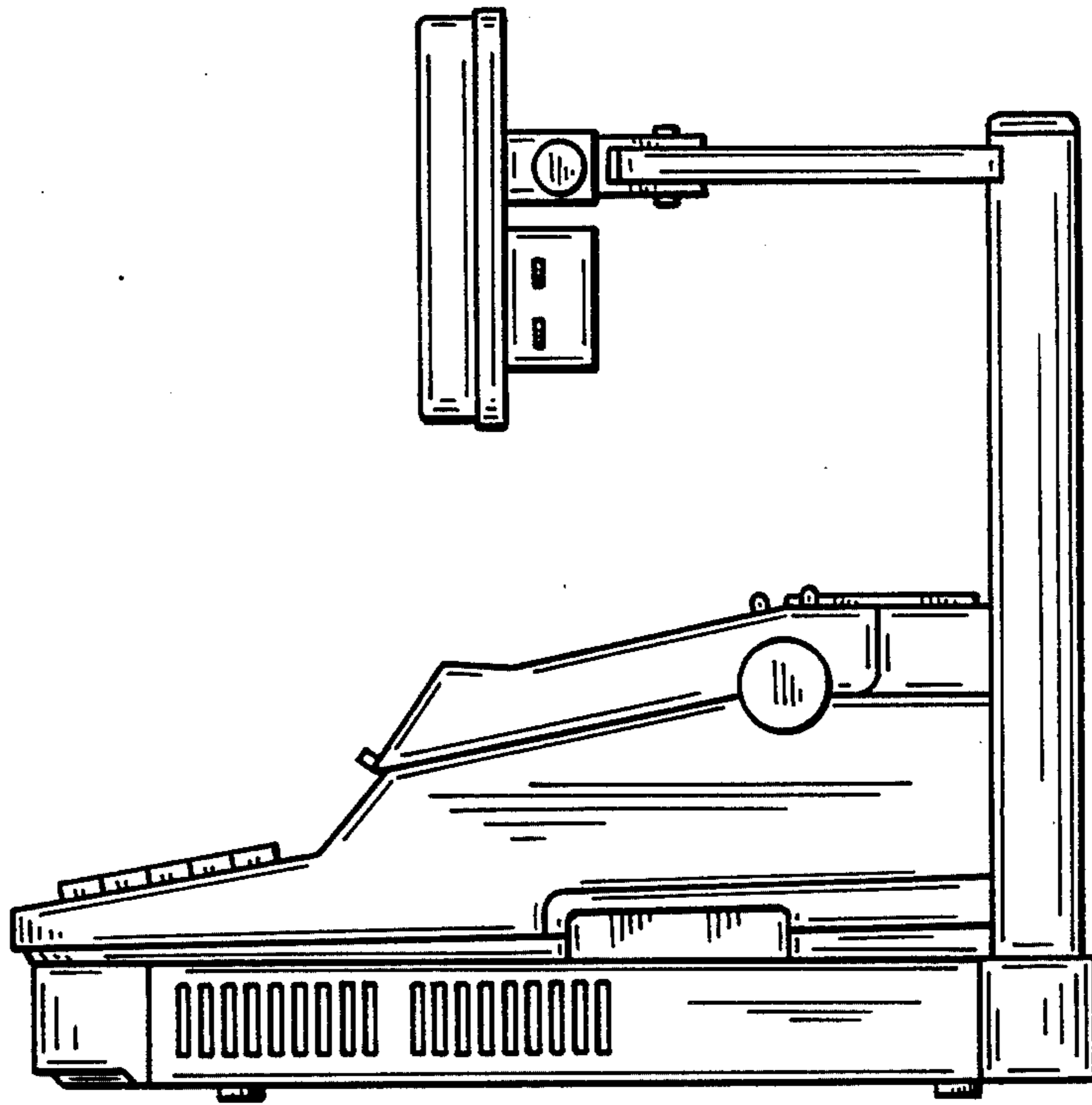
FIG_4



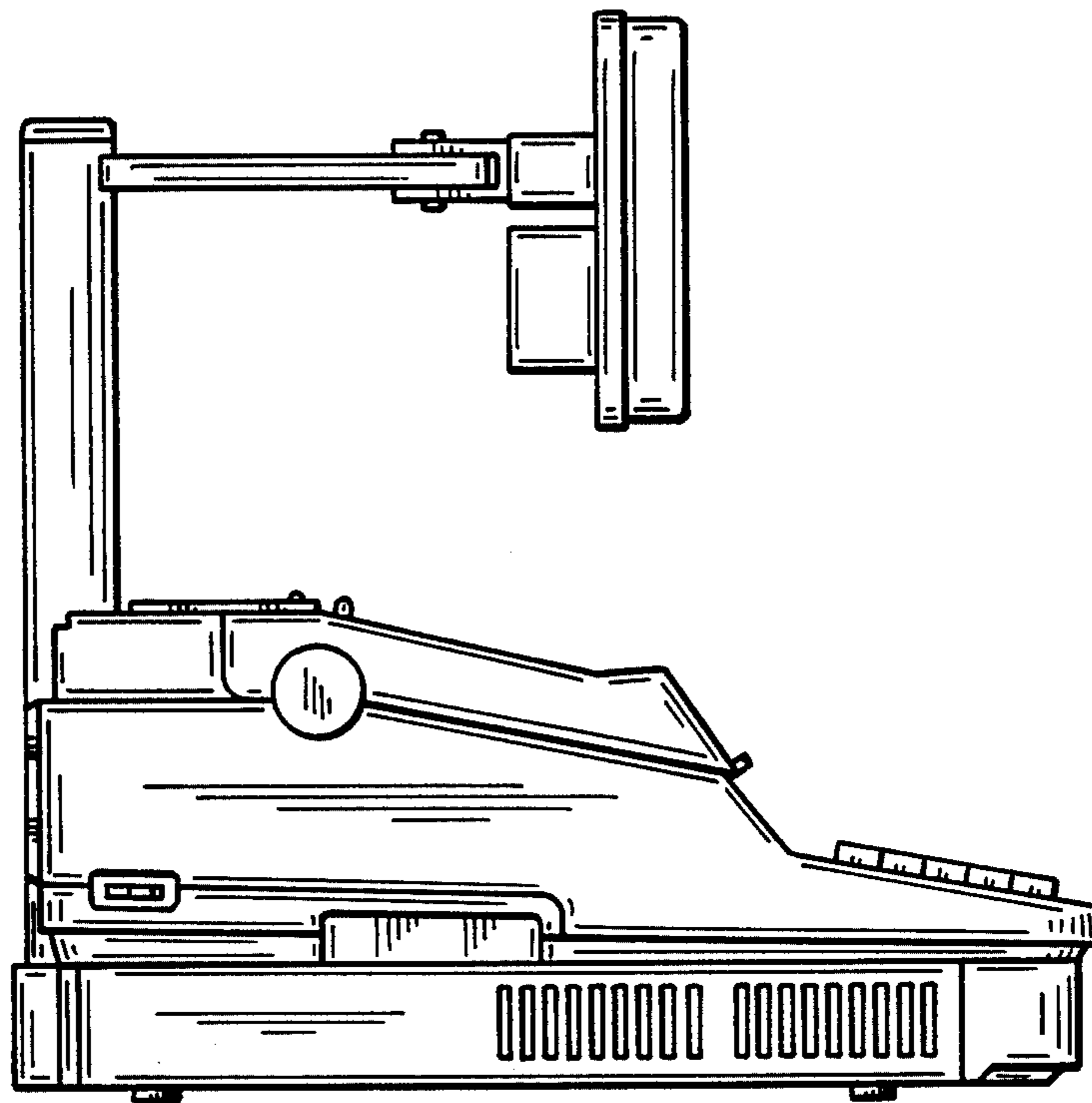
FIG_3



FIG_5



FIG_6



FIG_7