

[54] TABLE SAW

4,557,303 12/1985 Gardner et al. D15/127 X

[75] Inventor: Marc Wodli, Bischheim, France

FOREIGN PATENT DOCUMENTS

[73] Assignee: Electroli, S.A., Bischwiller, France

0039801 11/1981 European Pat. Off. 144/1 R

[**] Term: 14 Years

Primary Examiner—Bruce W. Dunkins
Assistant Examiner—Jeffrey Asch
Attorney, Agent, or Firm—Young & Thompson

[21] Appl. No.: 196,091

[57] CLAIM

[22] Filed: May 4, 1988

The ornamental design for a table saw, as shown and described.

[52] U.S. Cl. D15/133

[58] Field of Search D15/133, 127; 83/477.2,
83/477.1, 473, 478, 490; 144/1 R, 1 G, 253 R

DESCRIPTION

[56] References Cited

U.S. PATENT DOCUMENTS

- 2,744,549 5/1956 Johnson 144/253 R X
- 2,787,305 4/1957 Hess et al. 144/253 R
- 2,850,054 9/1958 Eschenburg 83/473
- 2,913,025 11/1959 Richards 144/1 R X

FIG. 1 is a front perspective view of a table saw showing my new design;
FIG. 2 is a left side perspective view;
FIG. 3 is a right side perspective view;
FIG. 4 is a rear perspective view; and
FIG. 5 is a top perspective view thereof.

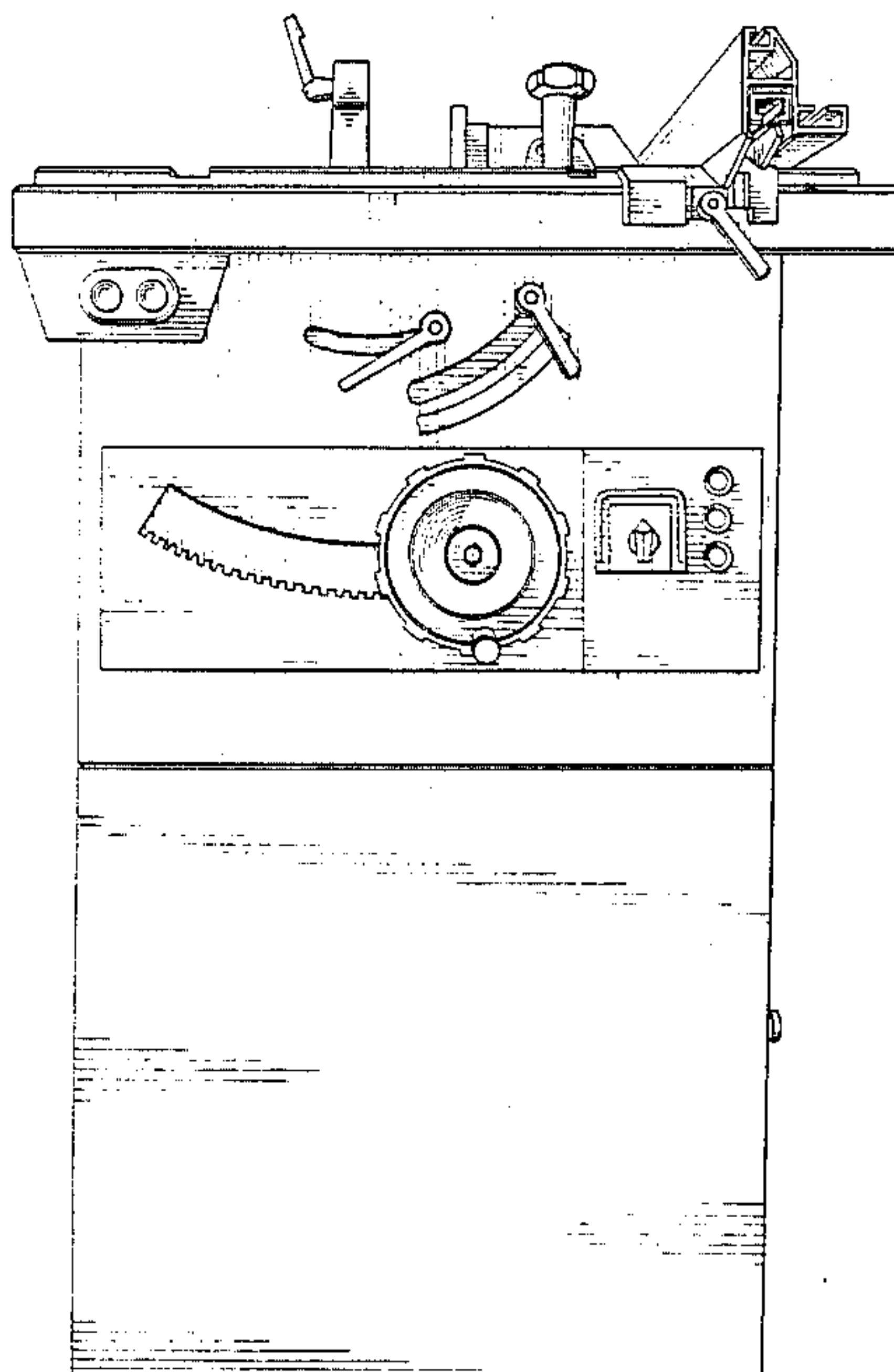


FIG. 1

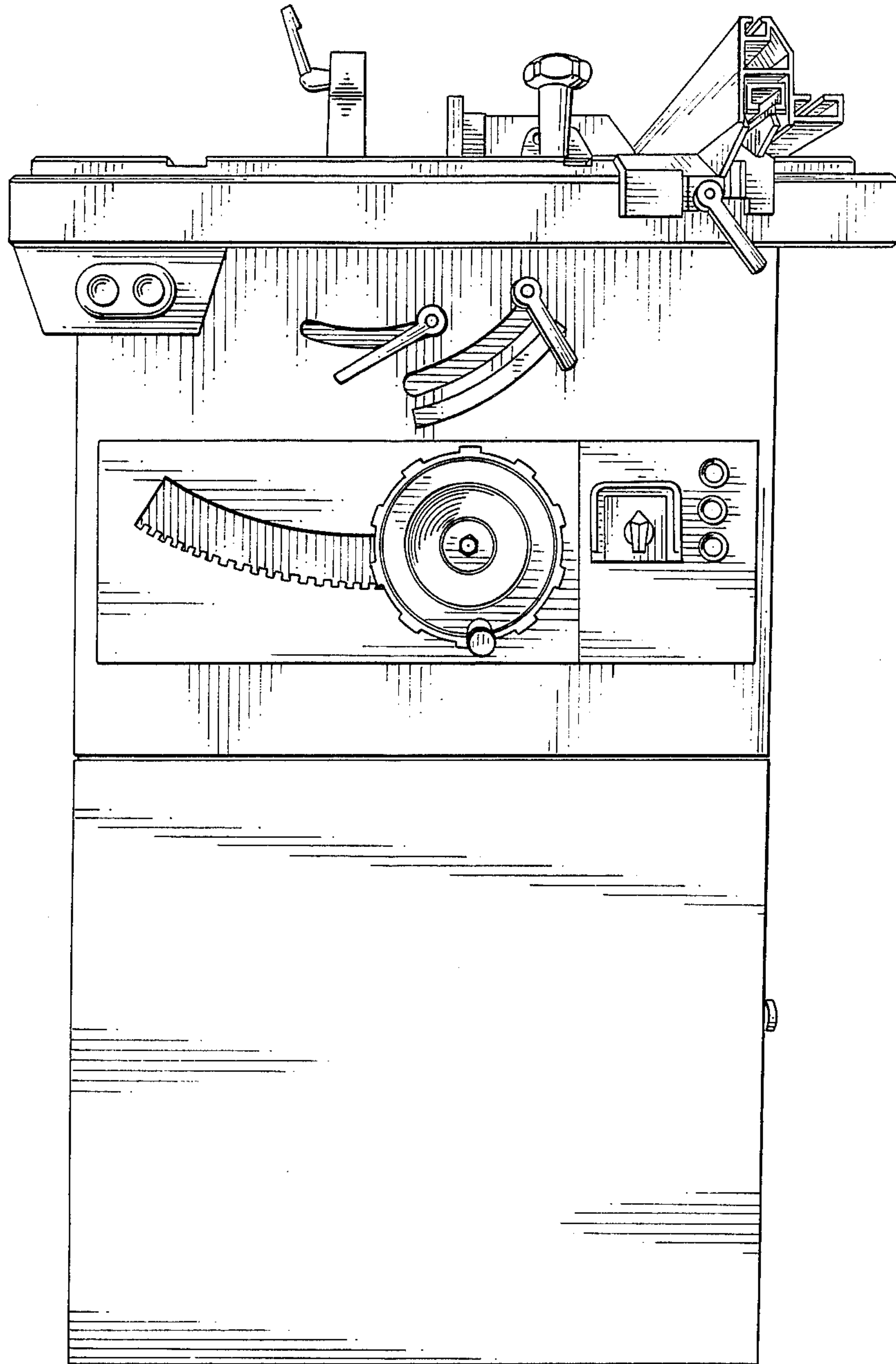


FIG. 2

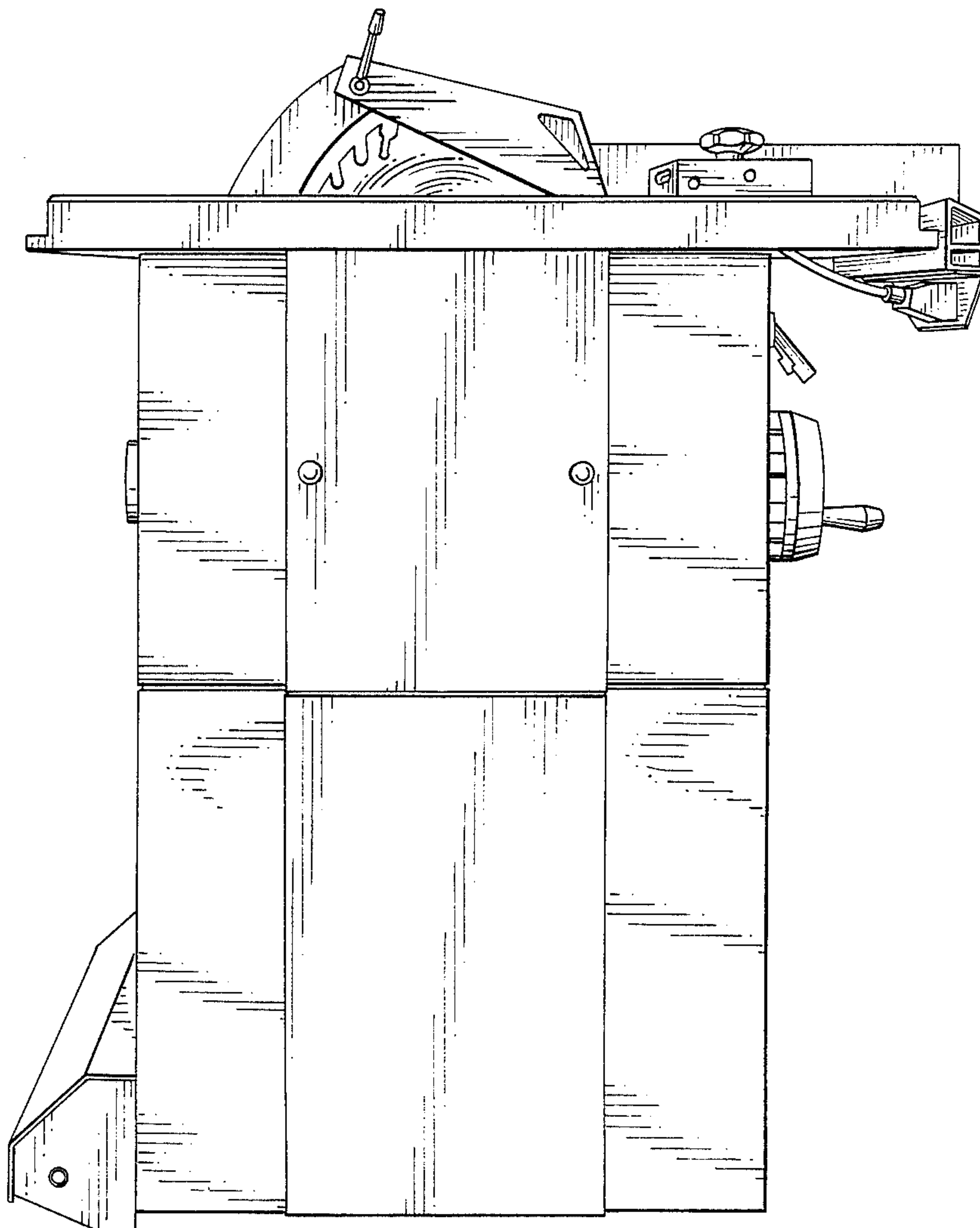


FIG. 3

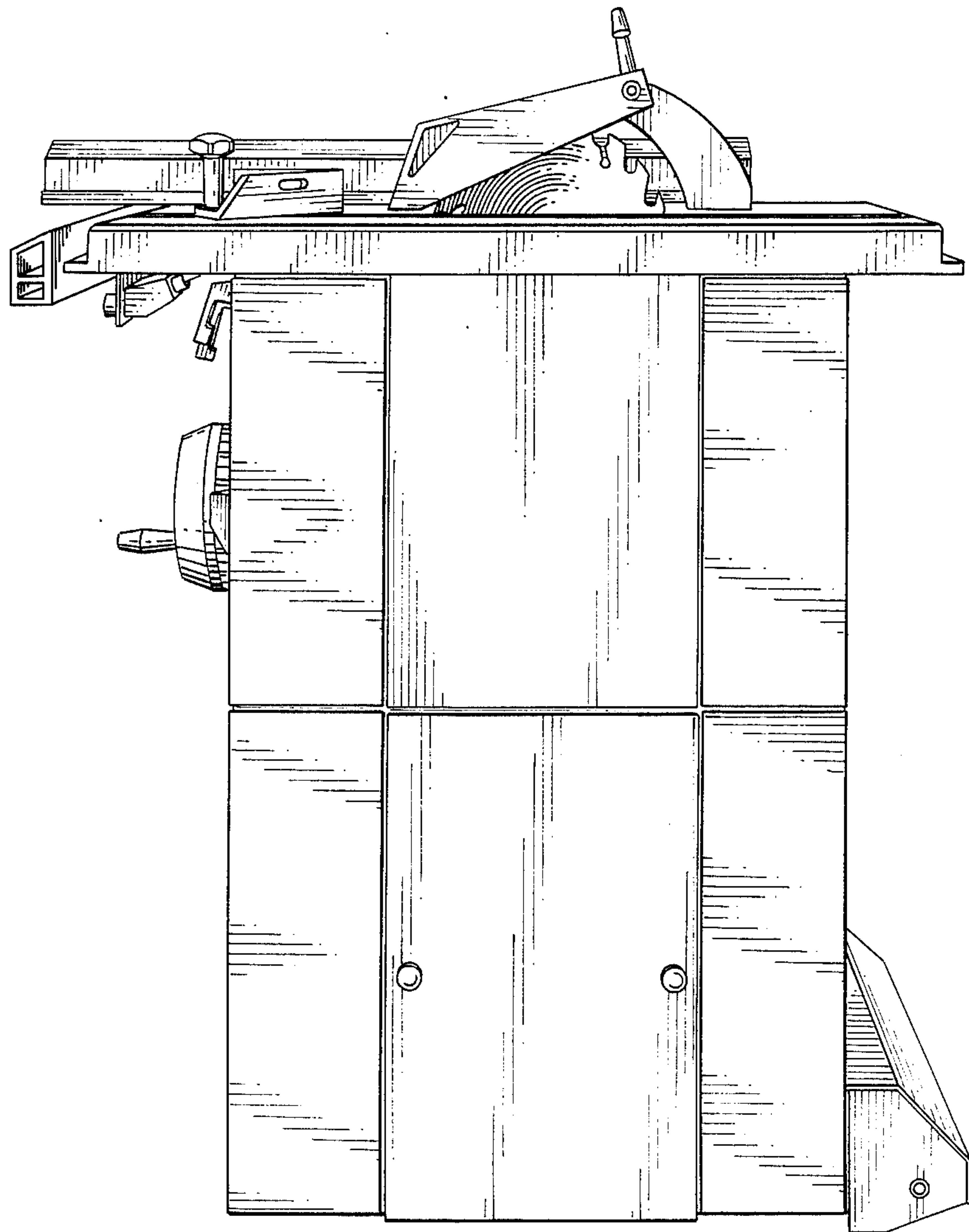


FIG. 4

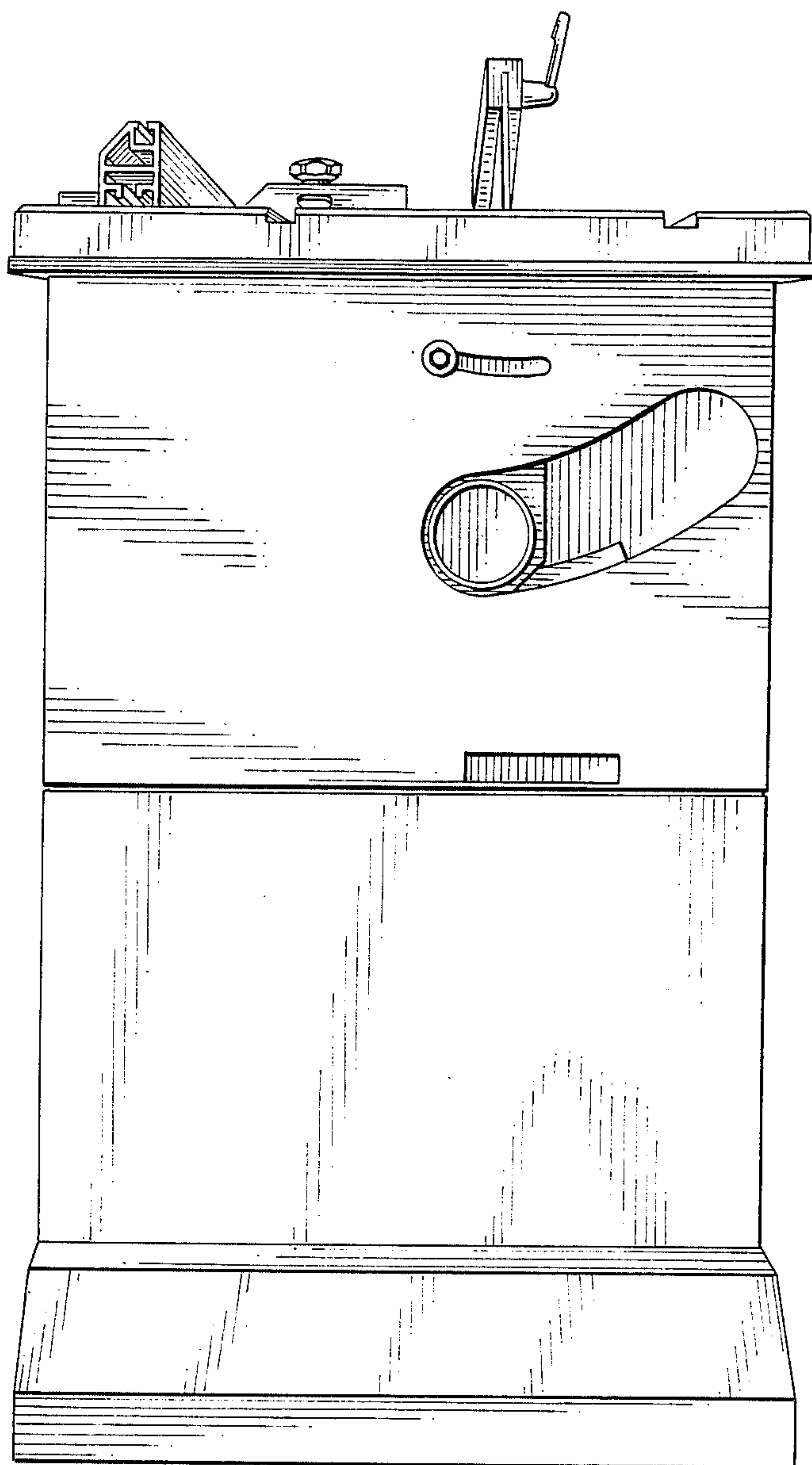


FIG. 5

