

[54] **FORGING PRESS**

[75] Inventors: **Richard A. McDannel, McKean;**
George M. Dudick, North East, both
of Pa.

[73] Assignee: **Efco, Inc., Erie, Pa.**

[**] Term: **14 Years**

[21] Appl. No.: **174,330**

[22] Filed: **Mar. 28, 1988**

[52] U.S. Cl. **D15/123**

[58] Field of Search **D15/123; 164/120;**
29/34 R, DIG. 18

1,387,373 8/1921 Fasson 53/287
 3,387,646 6/1968 Lauth 164/120
 3,472,308 10/1969 Lauth 164/120 X
 3,802,063 4/1974 O'Connor 164/120 X

Primary Examiner—Bruce W. Dunkins
Assistant Examiner—Jeffrey Asch
Attorney, Agent, or Firm—Baldwin, Egan & Fetzer

[57] **CLAIM**

The ornamental design for a forging press, as shown and described.

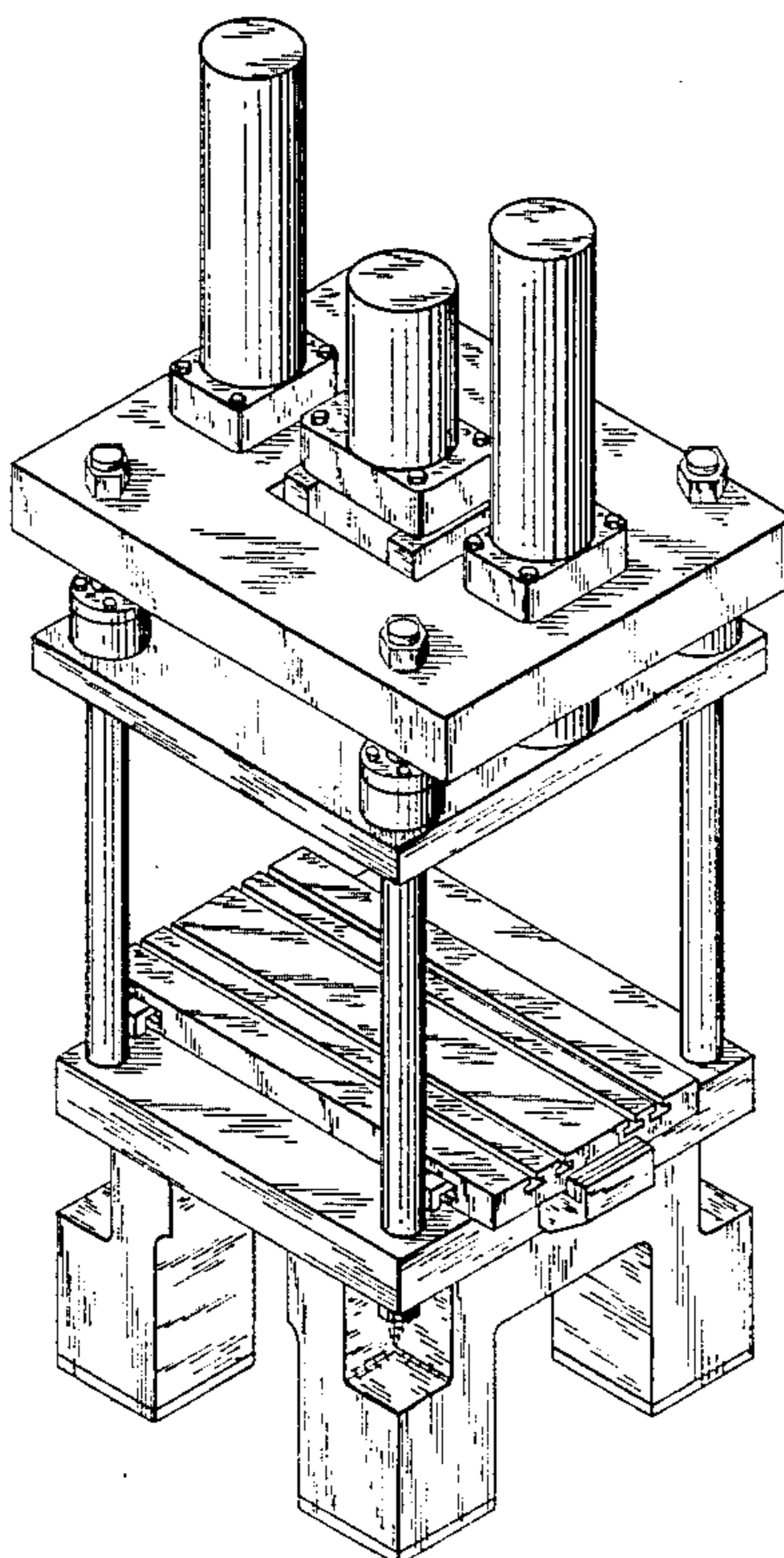
DESCRIPTION

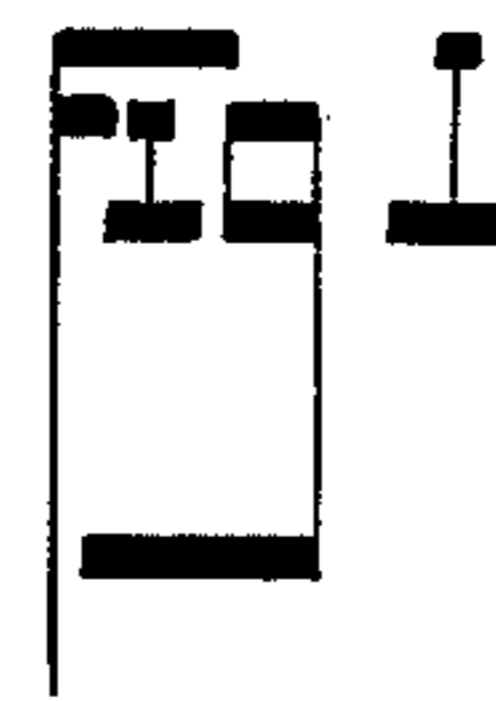
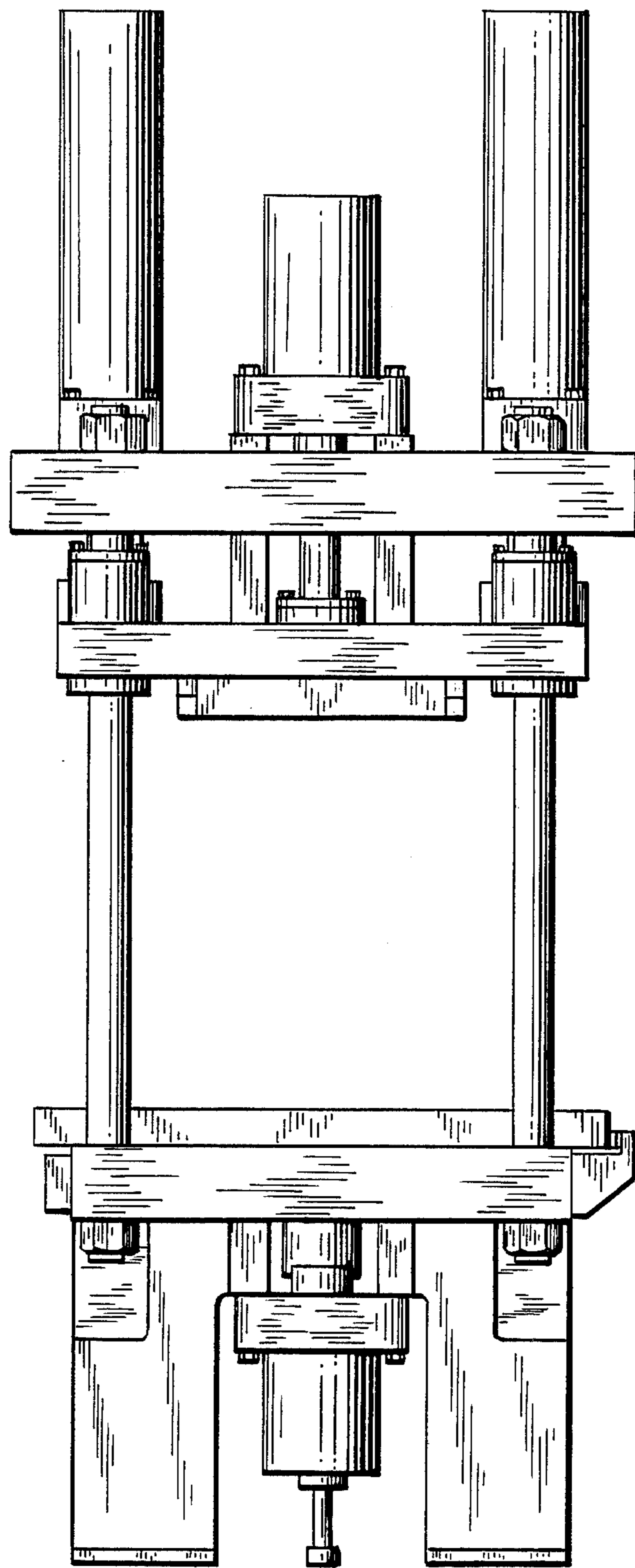
FIG. 1 is a front elevational view of a forging press showing our new design, the rear being a mirror image thereof;
 FIG. 2 is a right side elevational view thereof;
 FIG. 3 is a left side elevational view thereof;
 FIG. 4 is a top plan view thereof;
 FIG. 5 is a bottom plan view thereof; and
 FIG. 6 is a top right and front perspective view thereof.

[56] **References Cited**

U.S. PATENT DOCUMENTS

D. 179,813 3/1957 Munschauer D15/123
 D. 179,814 3/1957 Munschauer D15/123
 D. 242,386 11/1976 Carrieri et al. D15/123
 985,753 2/1911 Weeks 164/120





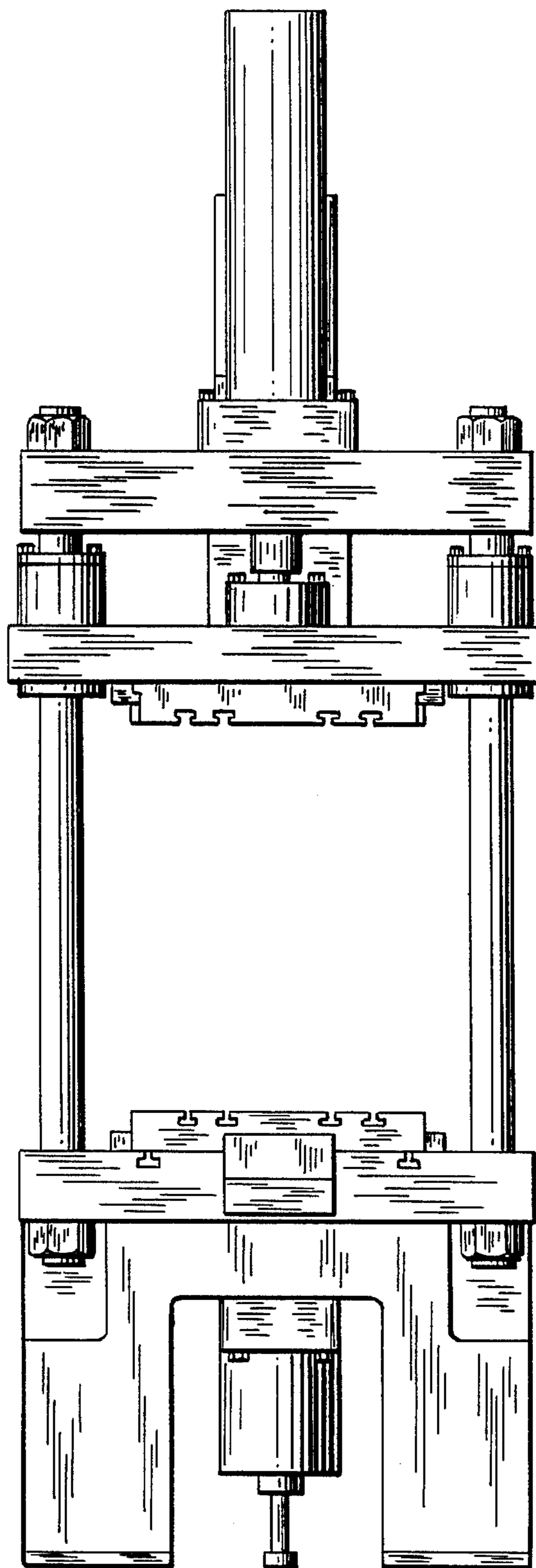


FIG. 2

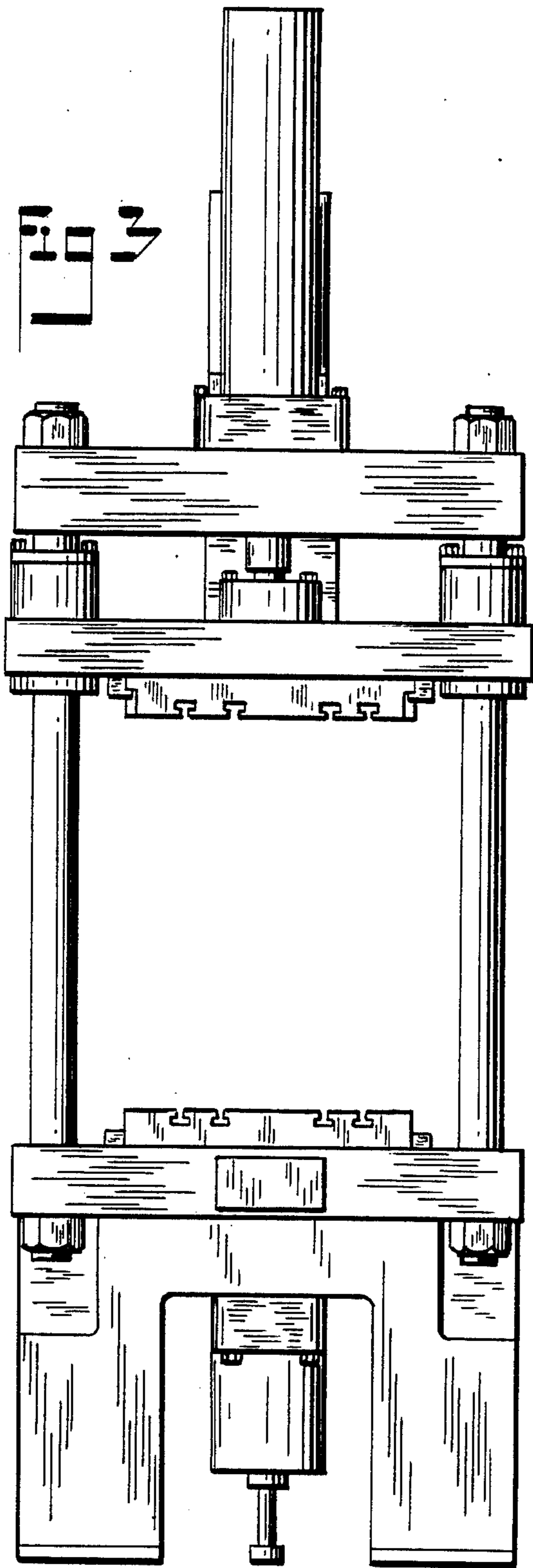


Fig 3

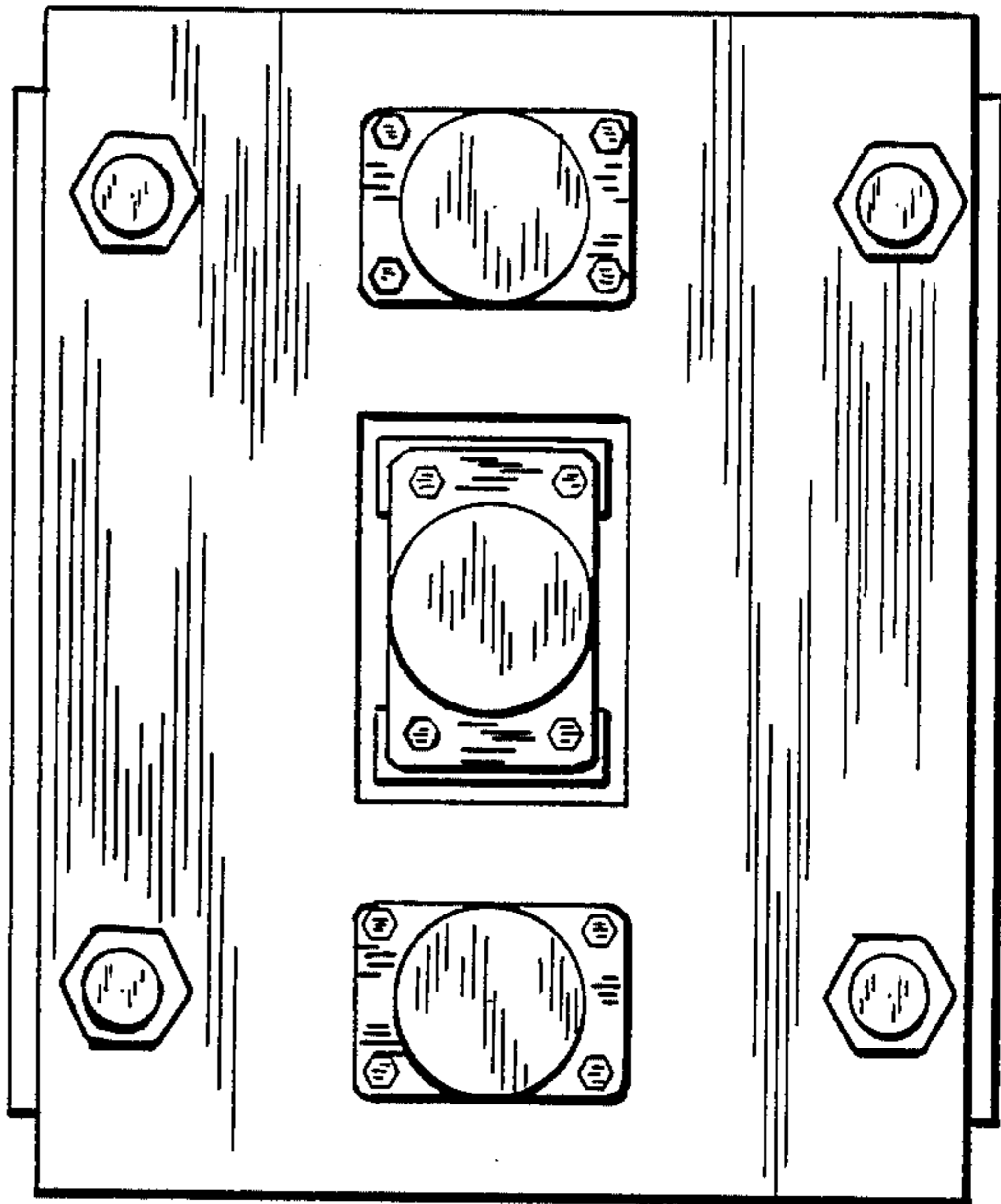


Fig 4

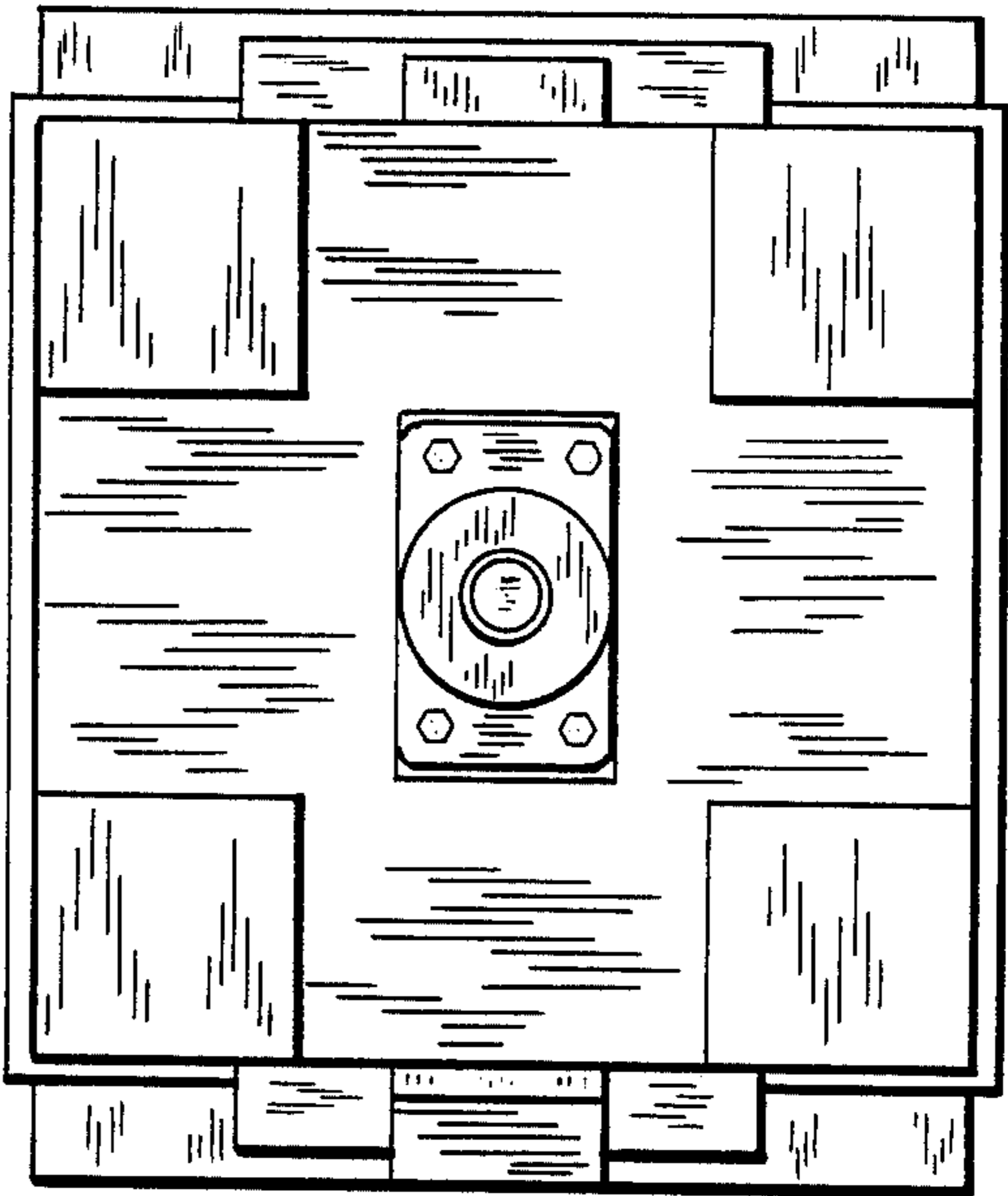


Fig 5

