

[54] PORTABLE REFRIGERATED BEVERAGE DISPENSER

[76] Inventor: Algernon P. Russell, 1212 N. Robertson St., New Orleans, La. 70116

[\*\*] Term: 14 Years

[21] Appl. No.: 865,606

[22] Filed: May 21, 1986

[52] U.S. Cl. .... D15/90

[58] Field of Search ..... D23/202; D15/80, 90; D9/337, 341; D7/312, 313, 300; 62/529; 220/1 S, 1 M, 1 R

[56] References Cited

U.S. PATENT DOCUMENTS

- D. 57,631 3/1920 Johnson ..... D7/77
- D. 76,124 8/1928 Cook ..... D7/77
- D. 224,087 7/1972 Matsumoto ..... D9/337
- D. 226,981 3/1973 Coleman et al. .... D23/205
- D. 240,128 6/1976 Stephens et al. .... D23/207
- D. 262,355 12/1981 Oakley ..... D9/456
- D. 264,556 5/1982 Hestehave et al. .... D9/337

- D. 281,882 12/1985 Prommer ..... D15/19
- 1,565,744 12/1925 Longstreth ..... 62/529 X
- 2,550,633 4/1951 Zalkind ..... 15/90 X
- 2,716,871 9/1955 Brown ..... 62/529 X
- 4,441,336 4/1984 Cannon ..... 62/529 X

FOREIGN PATENT DOCUMENTS

- 2500230 9/1975 Fed. Rep. of Germany ..... D15/90

Primary Examiner—Charles A. Rademaker

Assistant Examiner—C. Tuttle

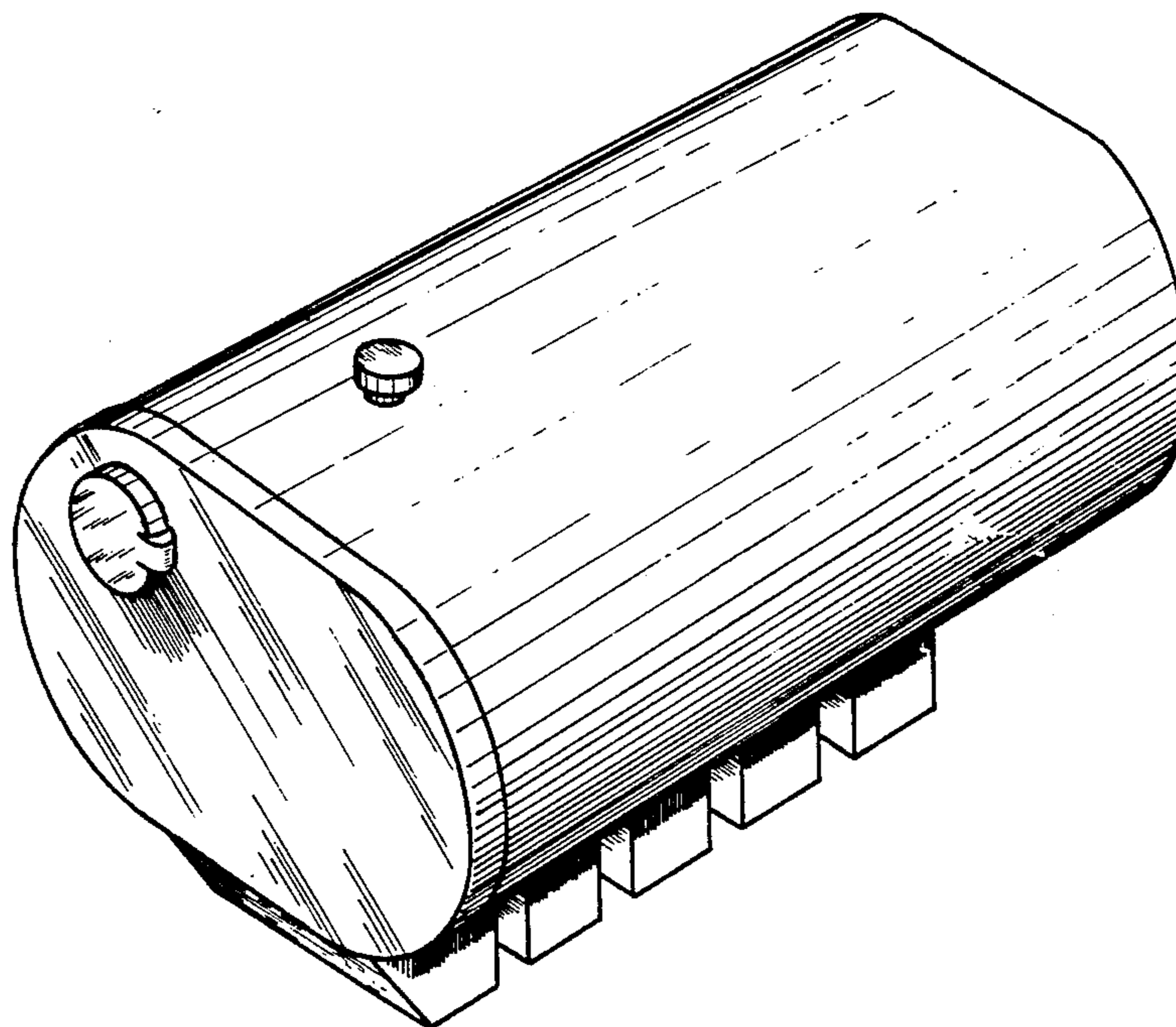
Attorney, Agent, or Firm—Keaty & Keaty

[57] CLAIM

The ornamental design for a portable refrigerated beverage dispenser, as shown.

DESCRIPTION

FIG. 1 is a top perspective view of a portable refrigerated beverage dispenser showing my new design; FIG. 2 is a right side elevational view thereof; FIG. 3 is a left side elevational view thereof; FIG. 4 is a bottom plan view thereof; FIG. 5 is a front elevational view thereof; and FIG. 6 is a rear elevational view thereof.



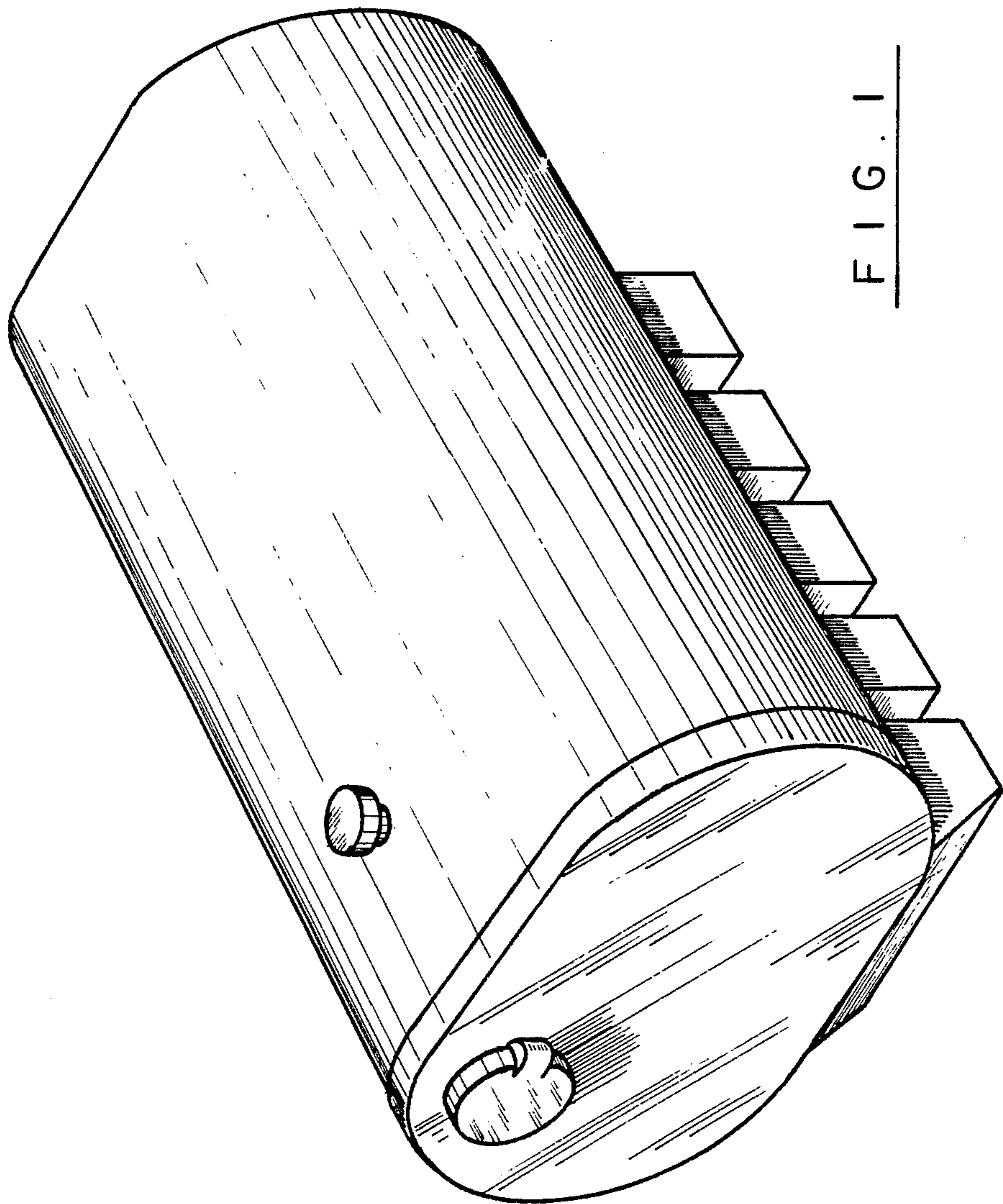


FIG. 1

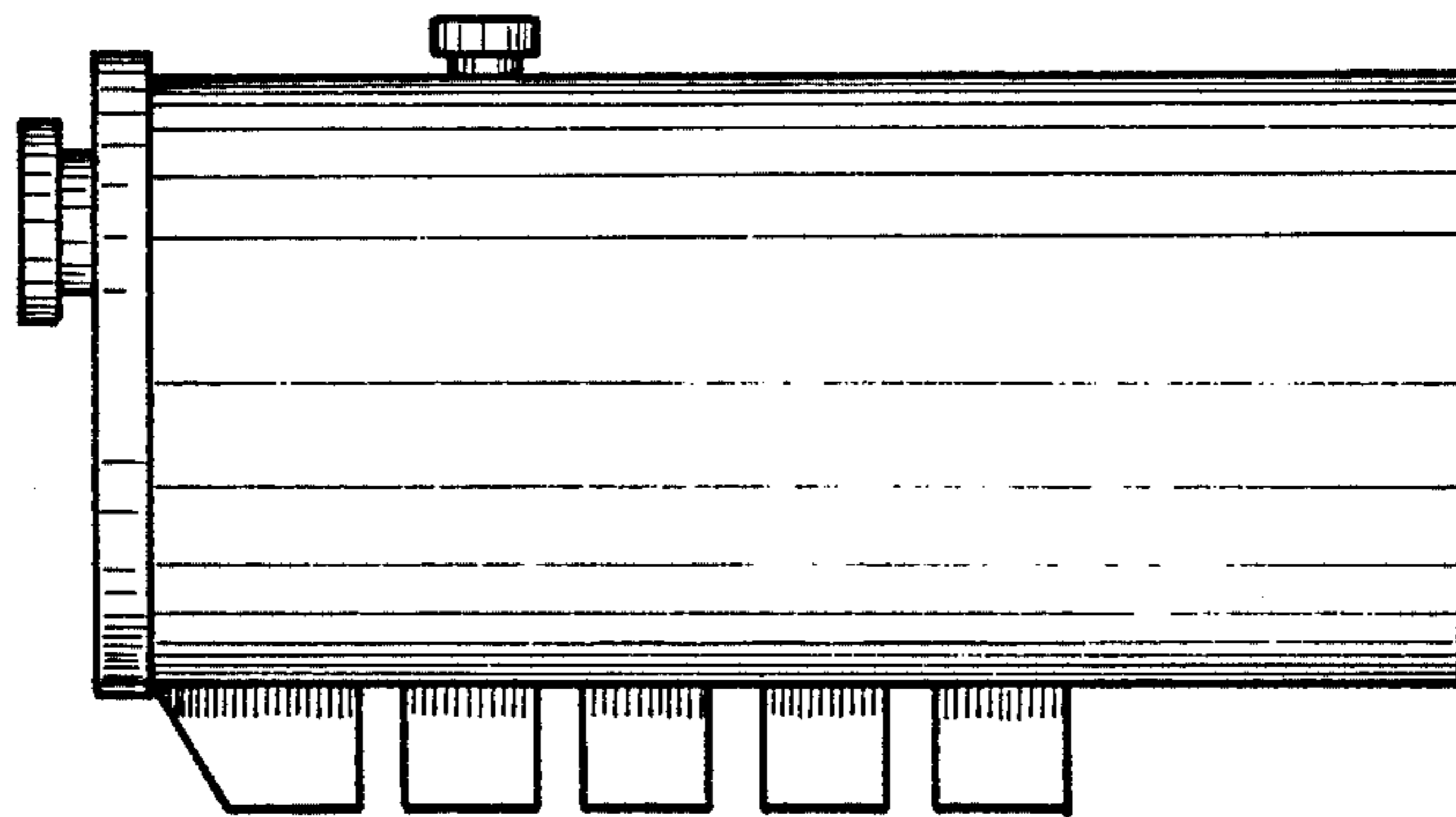


FIG. 2

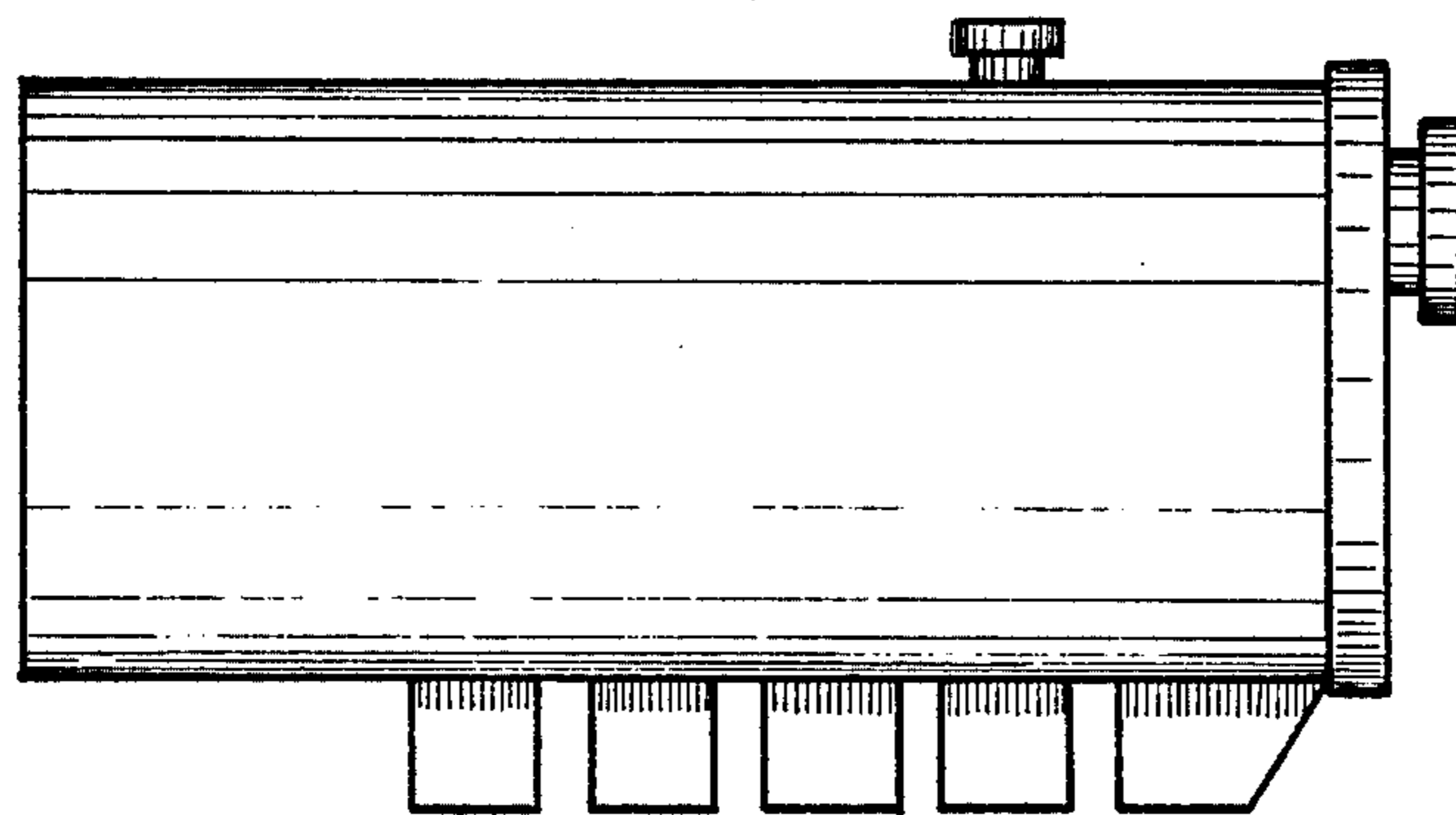


FIG. 3

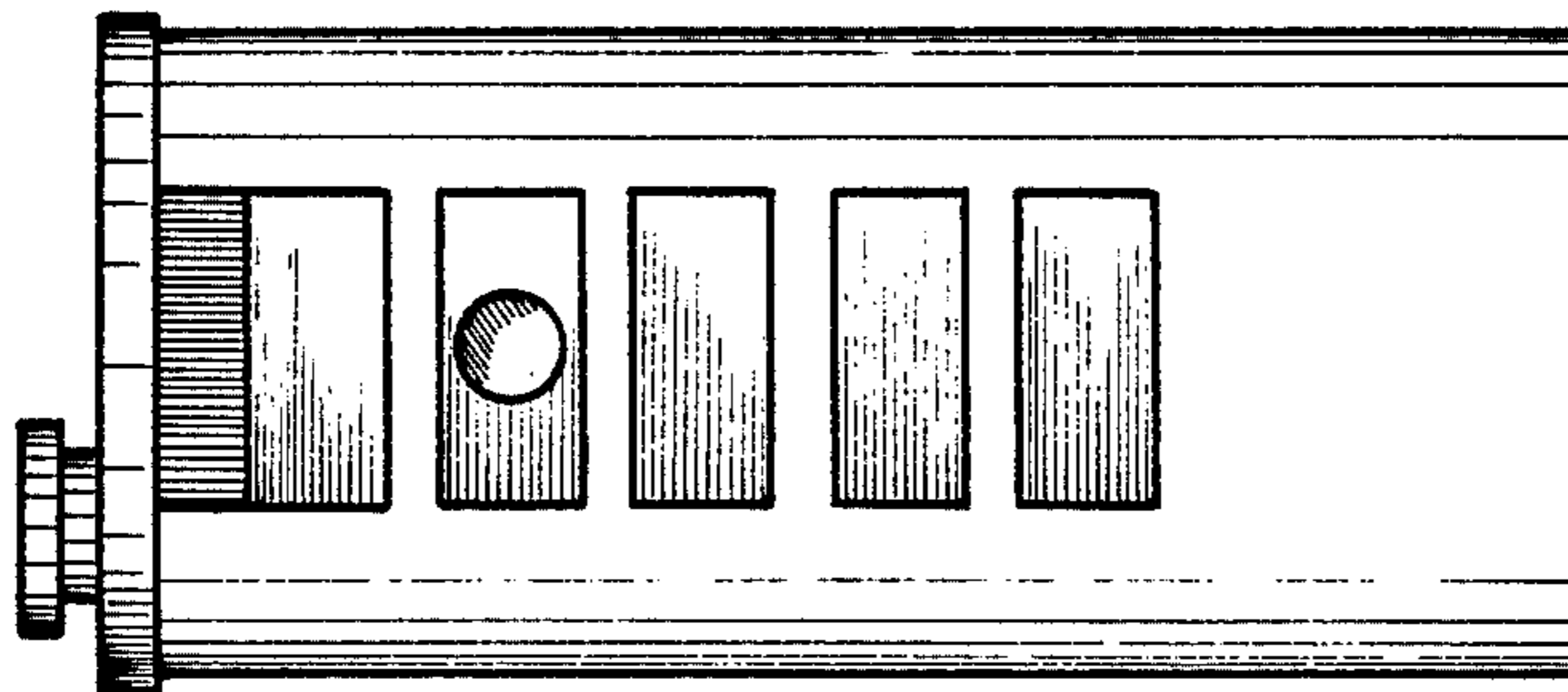


FIG. 4

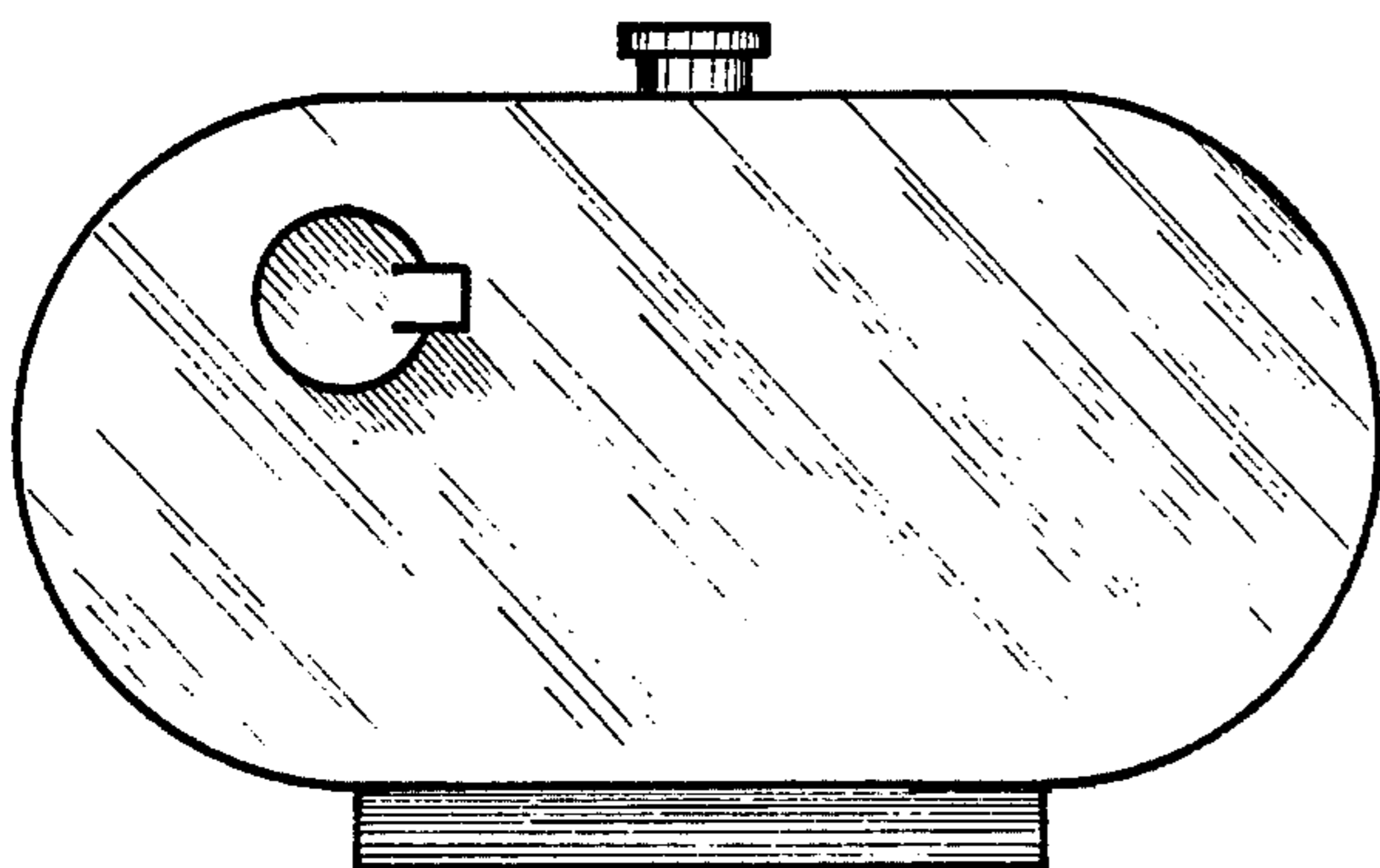


FIG. 5

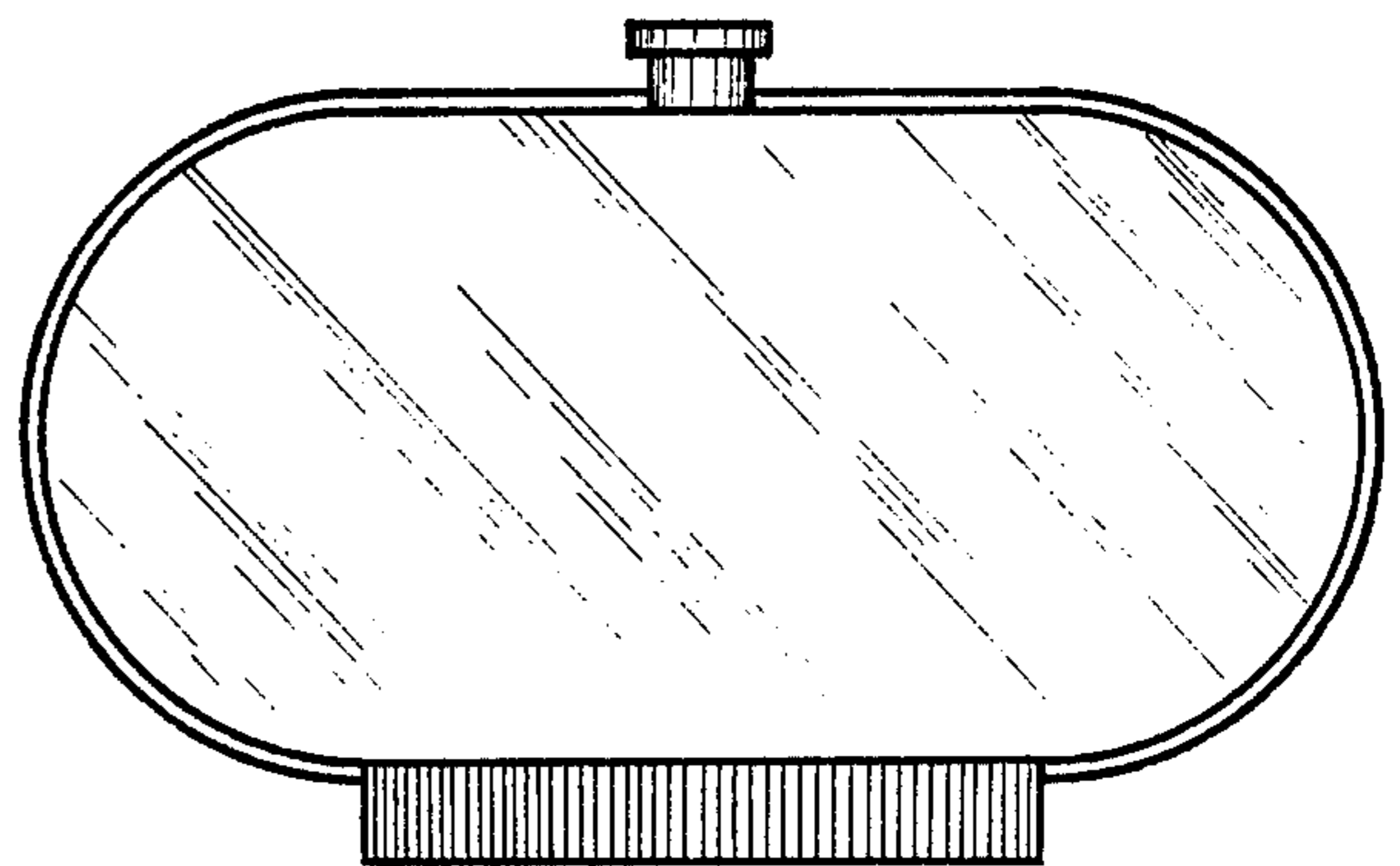


FIG. 6