

[54] REFRIGERATOR SHELF

[75] Inventors: Marc R. Bussan, Evansville; Charles G. Fellwock, Scott Township, Vanderburgh County, both of Ind.; Jeffrey A. DeBoer, Ann Arbor, Mich.

[73] Assignee: Whirlpool Corporation, Benton Harbor, Mich.

2,032,235	1/1934	Thomas	211/153
2,380,053	7/1945	Kuenzli	211/153
2,380,256	7/1945	Nauert	211/153
2,429,709	4/1945	Curtiss	211/153
2,786,729	3/1957	Fields	312/270
3,169,383	2/1965	Morton et al.	62/419
3,214,230	4/1964	Vaughn	108/27
3,912,085	10/1975	Cooke et al.	108/27
4,528,825	7/1985	Khan	62/441
4,729,613	3/1988	Tromble	312/270

[**] Term: 14 Years

[21] Appl. No.: 267,764

[22] Filed: Nov. 7, 1988

[52] U.S. Cl. D15/89

[58] Field of Search D15/79, 89; 109/27; 312/128, 132, 134, 214; 211/153

Primary Examiner—B. J. Bullock
 Assistant Examiner—Sandra Morris
 Attorney, Agent, or Firm—Mason, Kolehmainen, Rathburn & Wyss

[57] CLAIM

The ornamental design for a refrigerator shelf, as shown.

[56] References Cited

U.S. PATENT DOCUMENTS

D. 142,904	11/1945	Paddock	D33/3
D. 230,089	1/1974	Shanks	D67/3
D. 234,992	4/1975	Burk	D6/132
D. 265,274	7/1982	Scholl	D6/132
682,035	9/1901	Coffin .	
900,365	5/1869	Turner .	
1,119,982	12/1914	Ohnstrand .	

DESCRIPTION

FIG. 1 is a perspective view of a refrigerator shelf, showing our new design;
 FIG. 2 is a front view thereof;
 FIG. 3 is a rear view thereof;
 FIG. 4 is a right side view thereof;
 FIG. 5 is a left side view thereof;
 FIG. 6 is a top plan view thereof;
 FIG. 7 is a bottom plan view thereof.

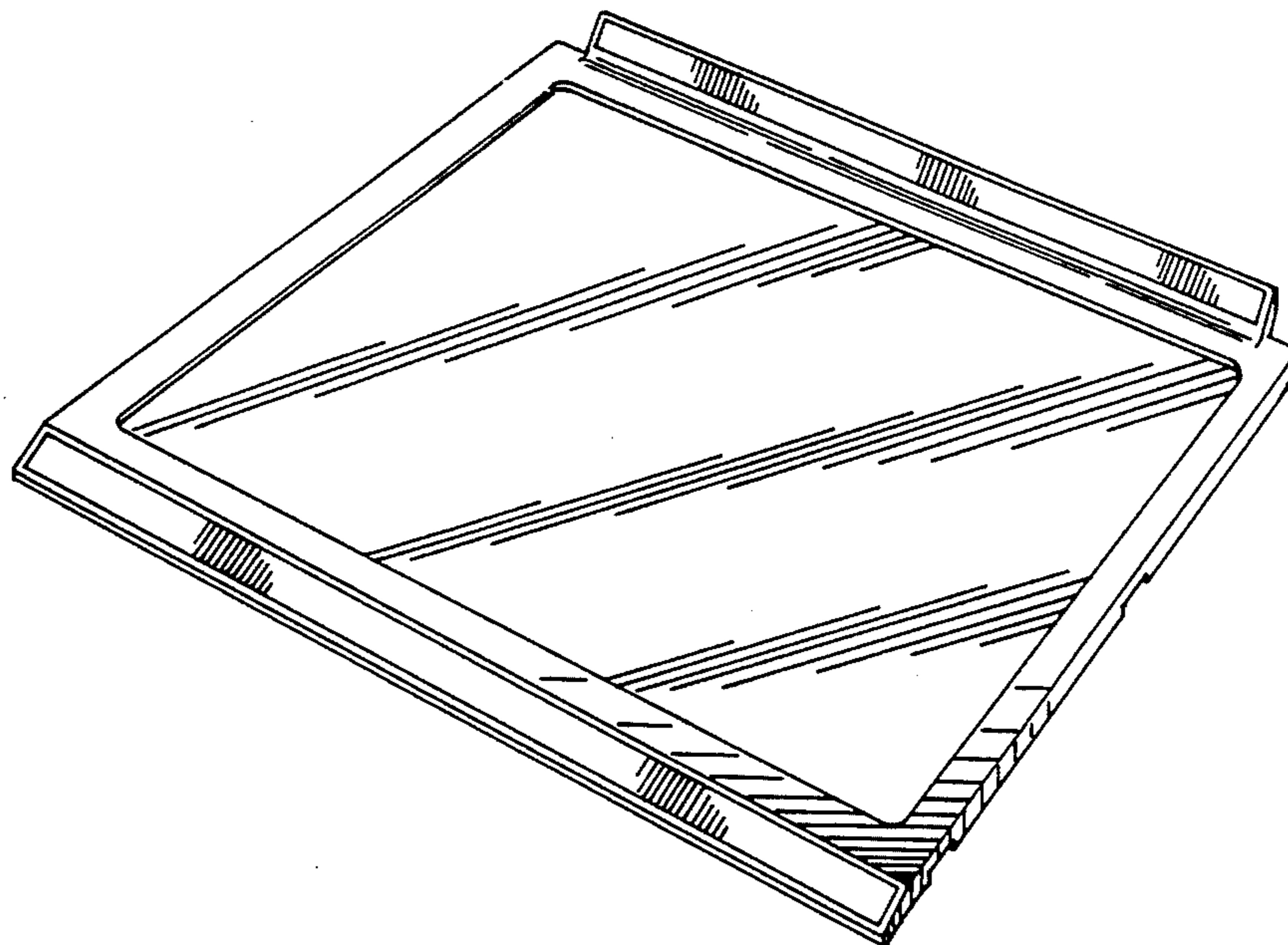


FIG. 1.

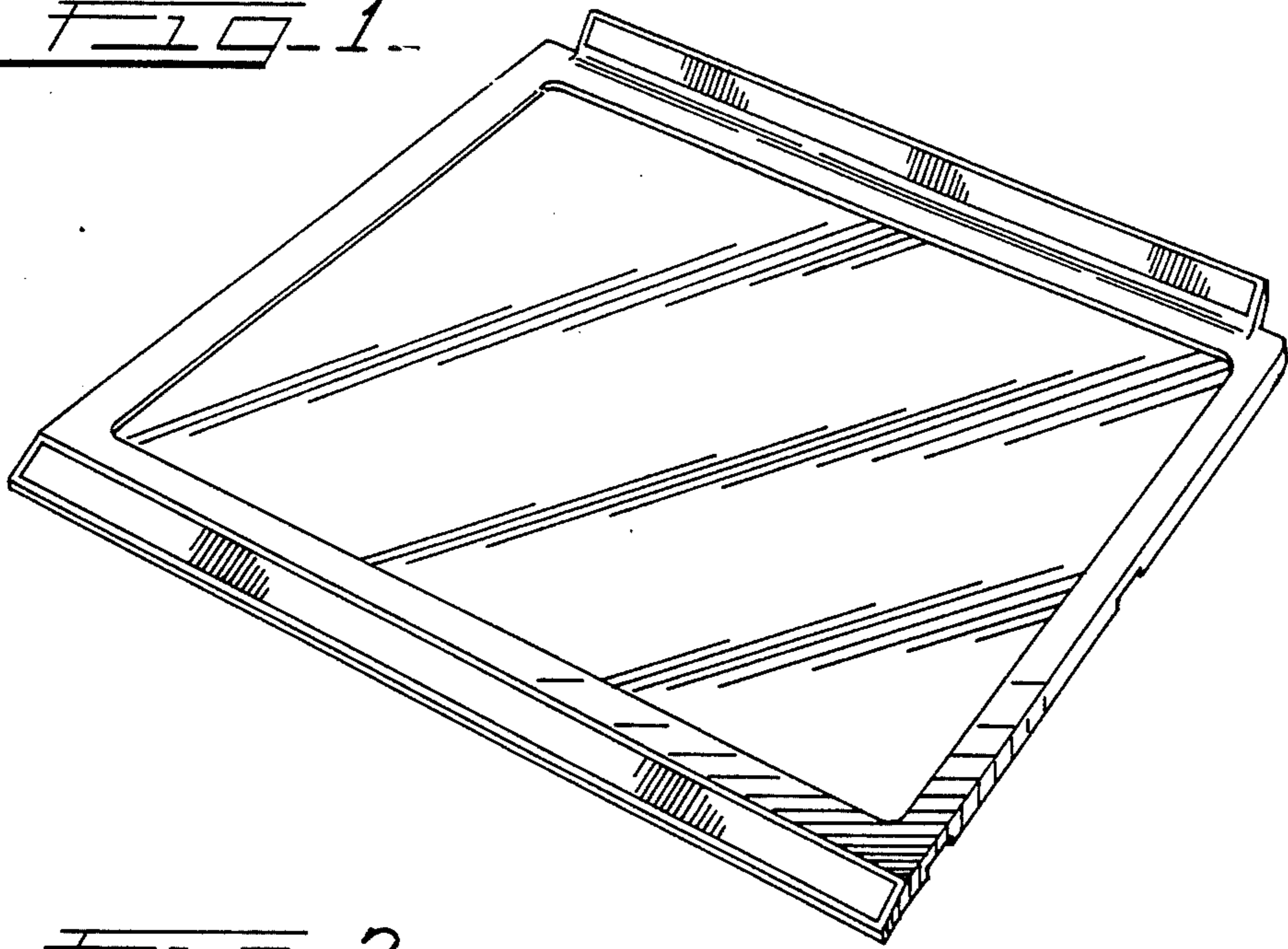


FIG. 2.

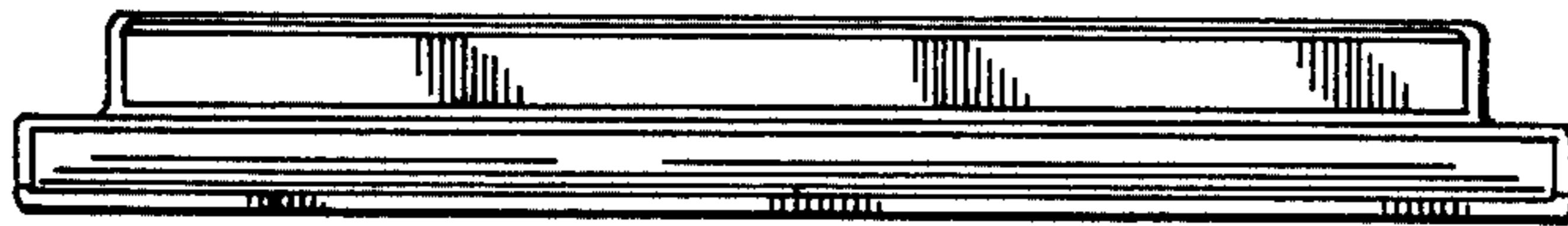


FIG. 3.

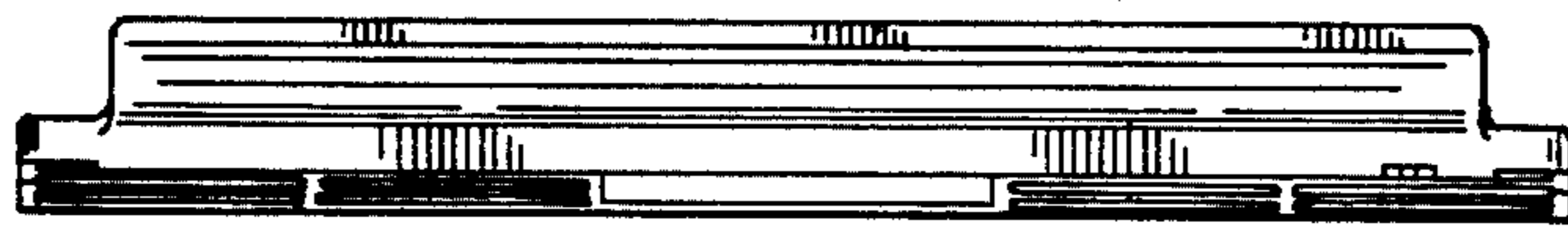


FIG. 4.

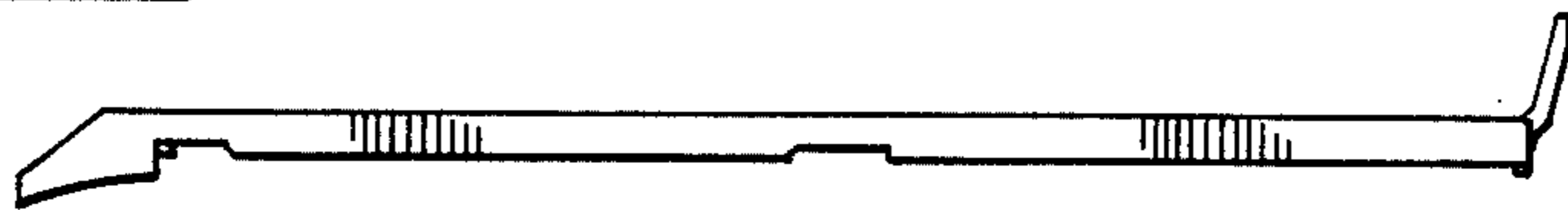


FIG. 5.

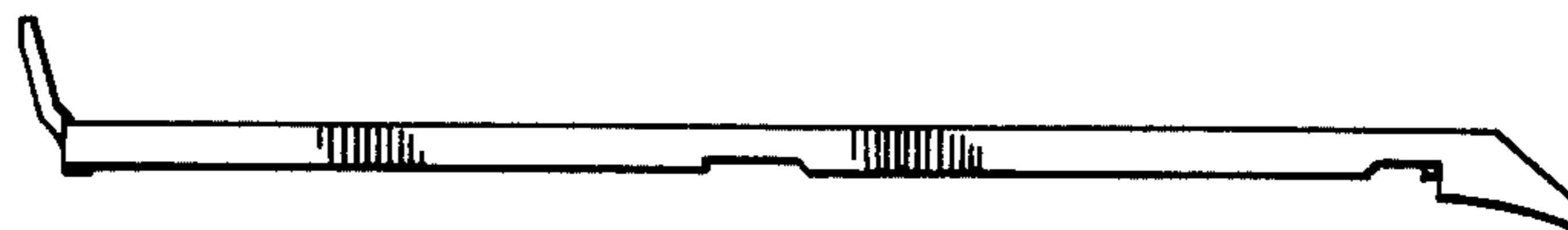


FIG. 6

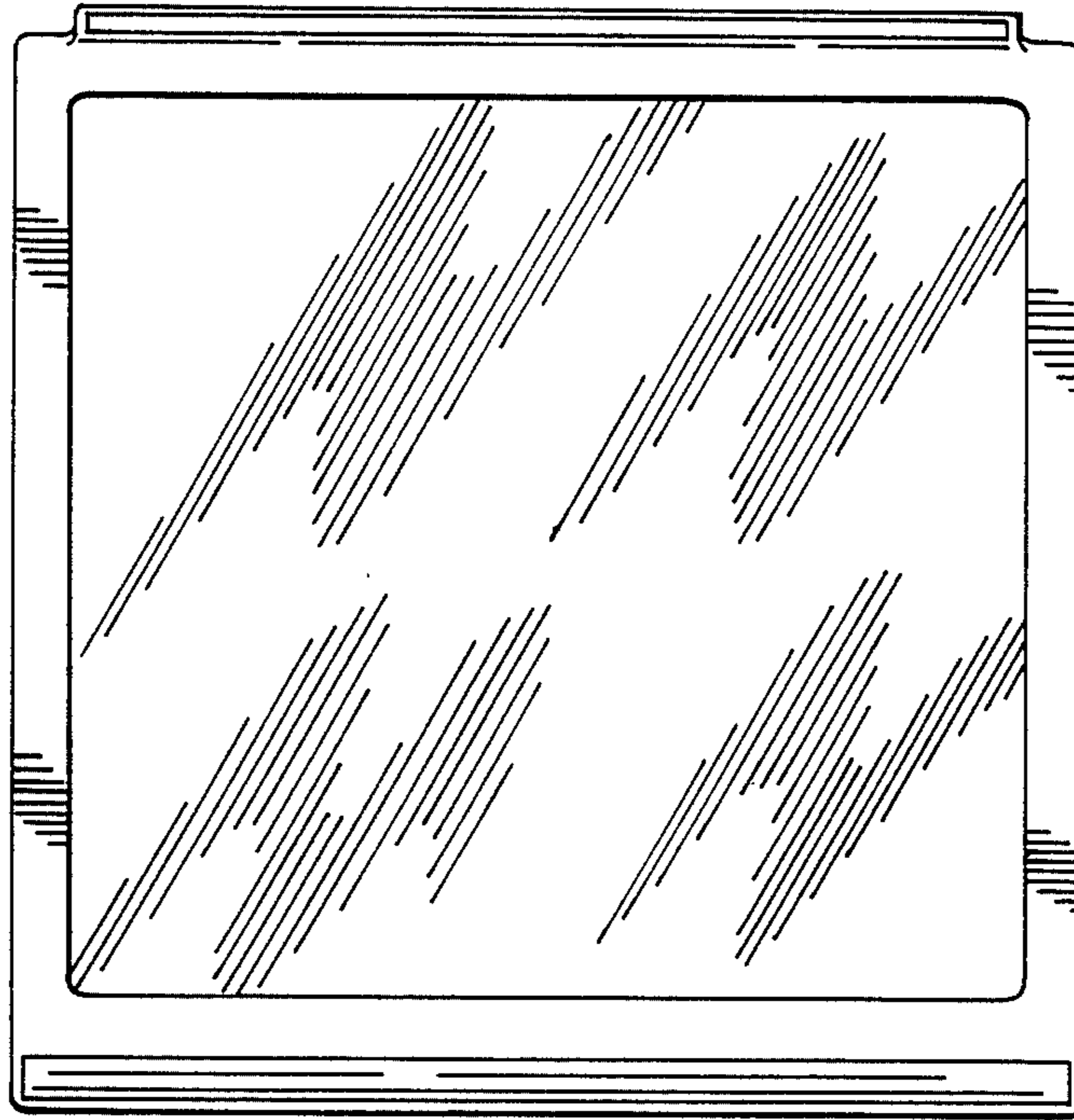


FIG. 7

