

[54] TILLAGE POINT TOOTH

1,690,834 7/1927 Ratkowski ..... 37/142 R

[76] Inventor: Dennis M. Gross, 1702 Cleveland, Caldwell, Id. 83605

Primary Examiner—B. J. Bullock  
Assistant Examiner—Sandra Morris  
Attorney, Agent, or Firm—Richard C. Litman

[\*\*] Term: 14 Years

[57] CLAIM

[21] Appl. No.: 47,055

The ornamental design for a tillage point tooth, as shown.

[22] Filed: May 6, 1987

[52] U.S. Cl. .... D15/29

[58] Field of Search ..... D15/28, 29; 172/669; 371/117.5, 141 T, 142 R

DESCRIPTION

FIG. 1 is a perspective view of the tillage point tooth showing my design;

FIG. 2 is a rear view thereof;

FIG. 3 is a top view thereof;

FIG. 4 is a right side view thereof;

FIG. 5 is a bottom view thereof;

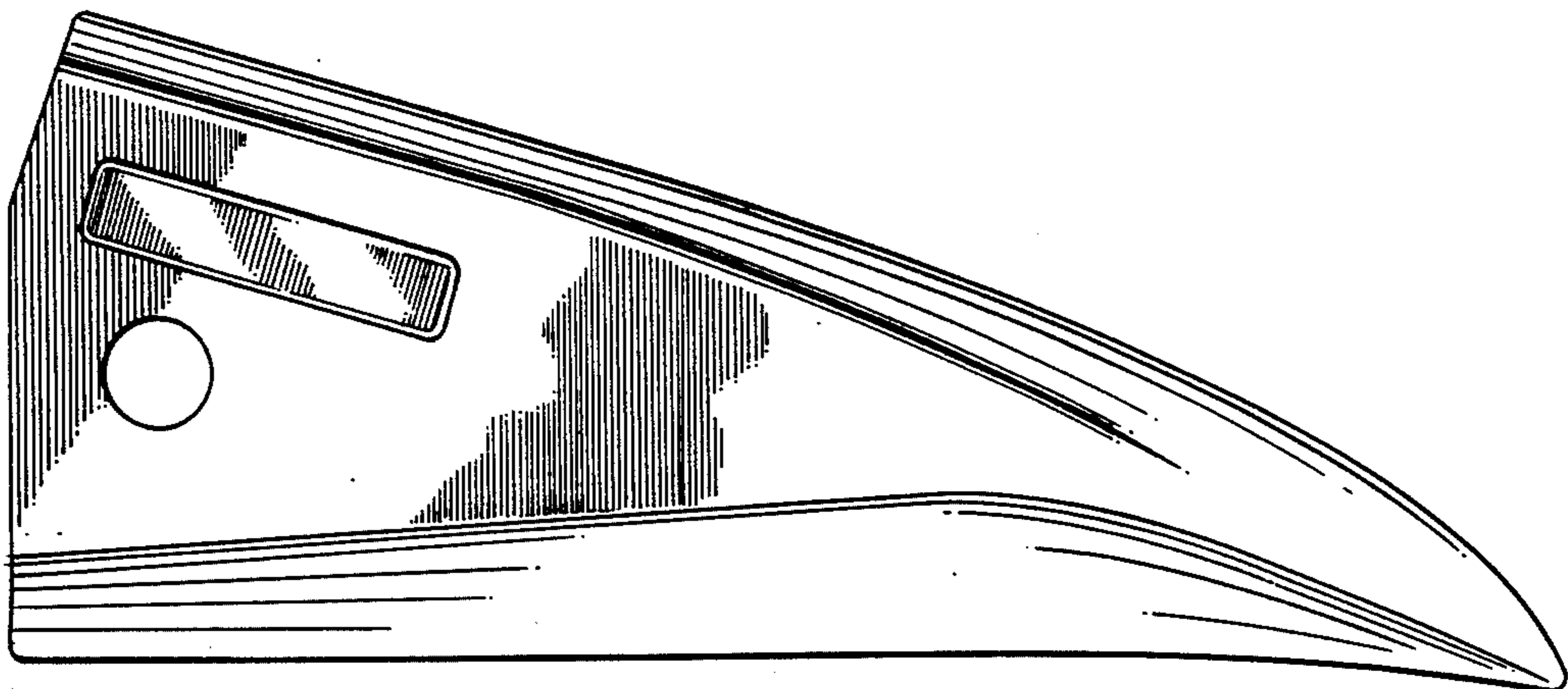
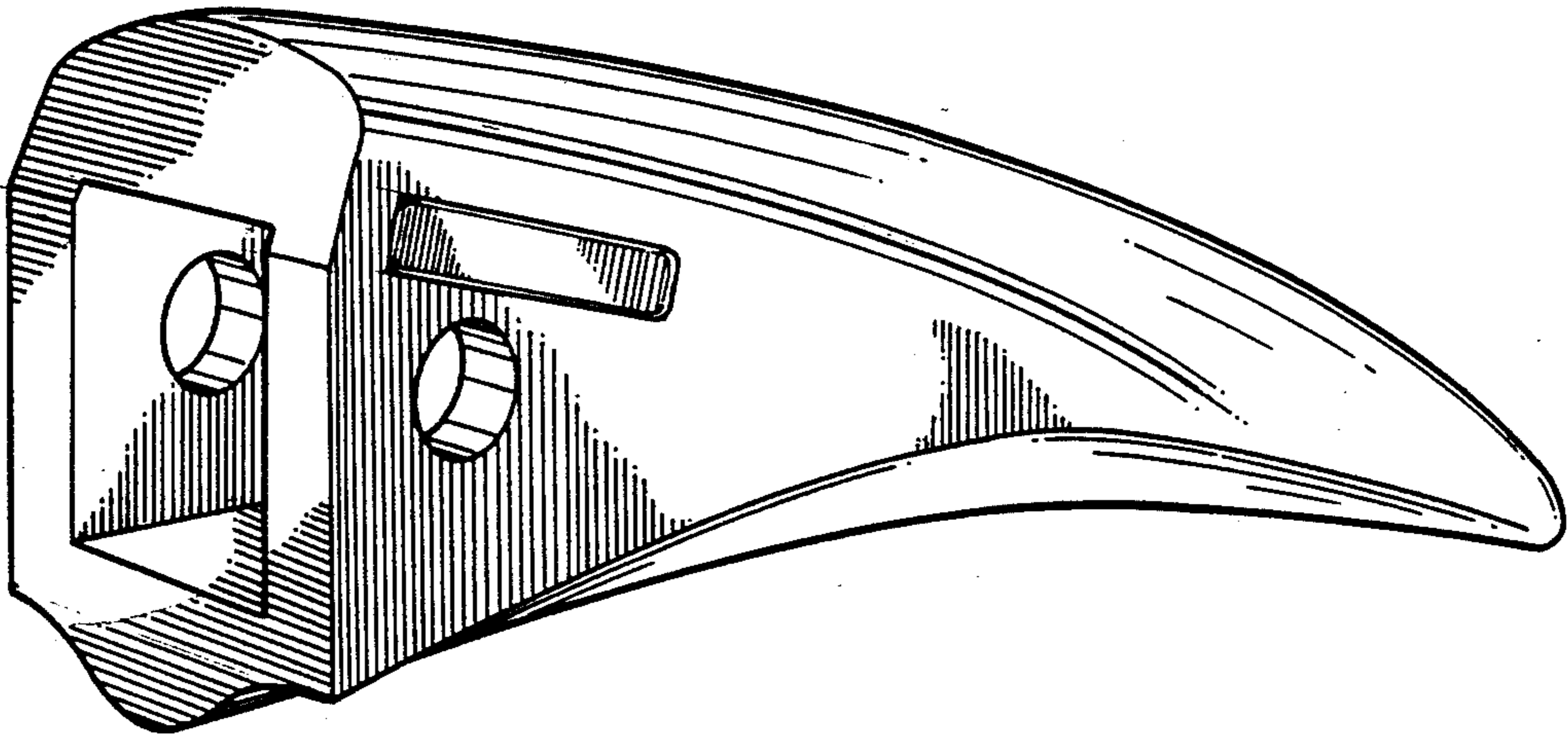
FIG. 6 is a front view thereof.

[56]

References Cited

U.S. PATENT DOCUMENTS

- D. 195,727 7/1963 Williams ..... D15/29
- D. 215,953 11/1969 Edwards ..... D15/29
- D. 243,843 3/1977 Edwards ..... D15/29



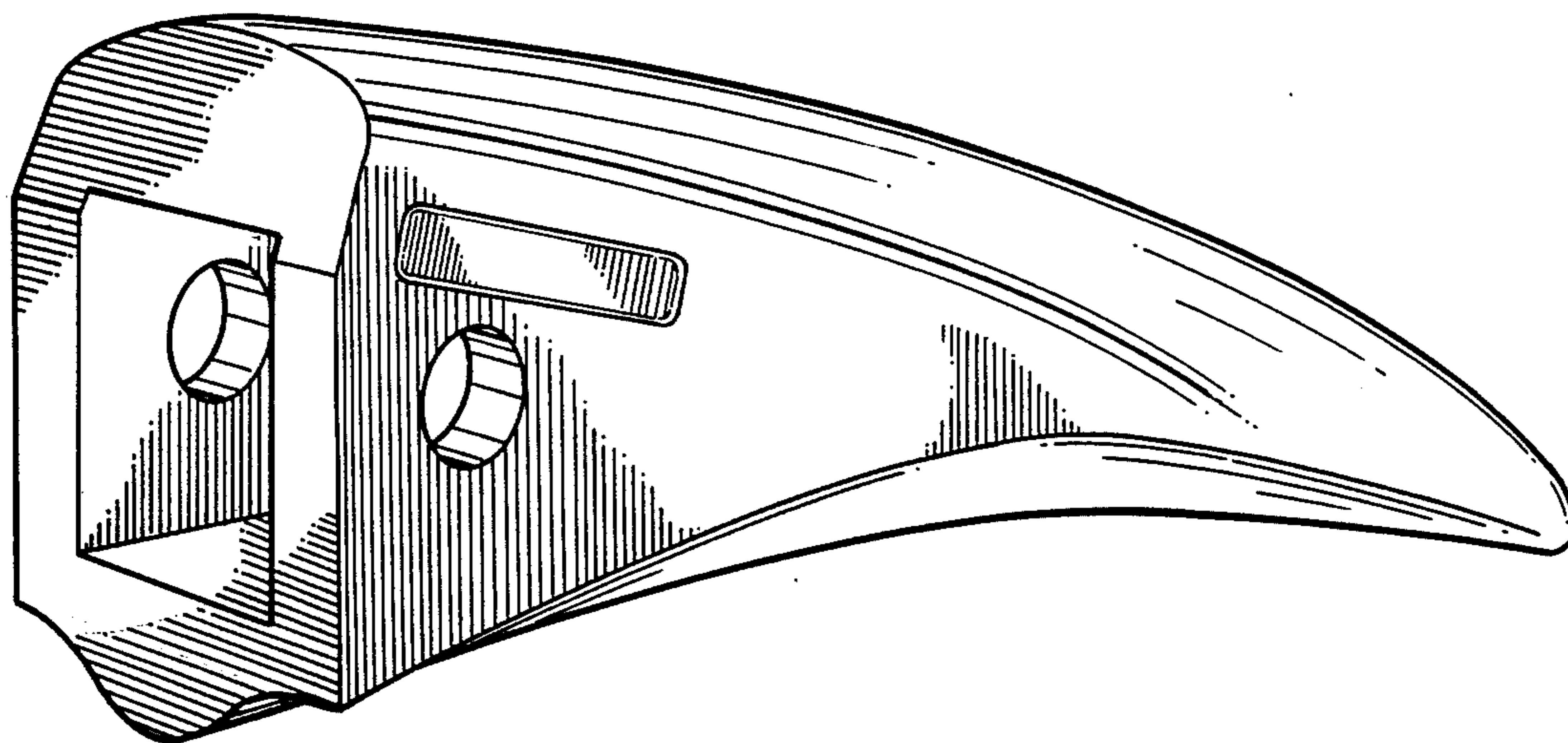


FIG. 1

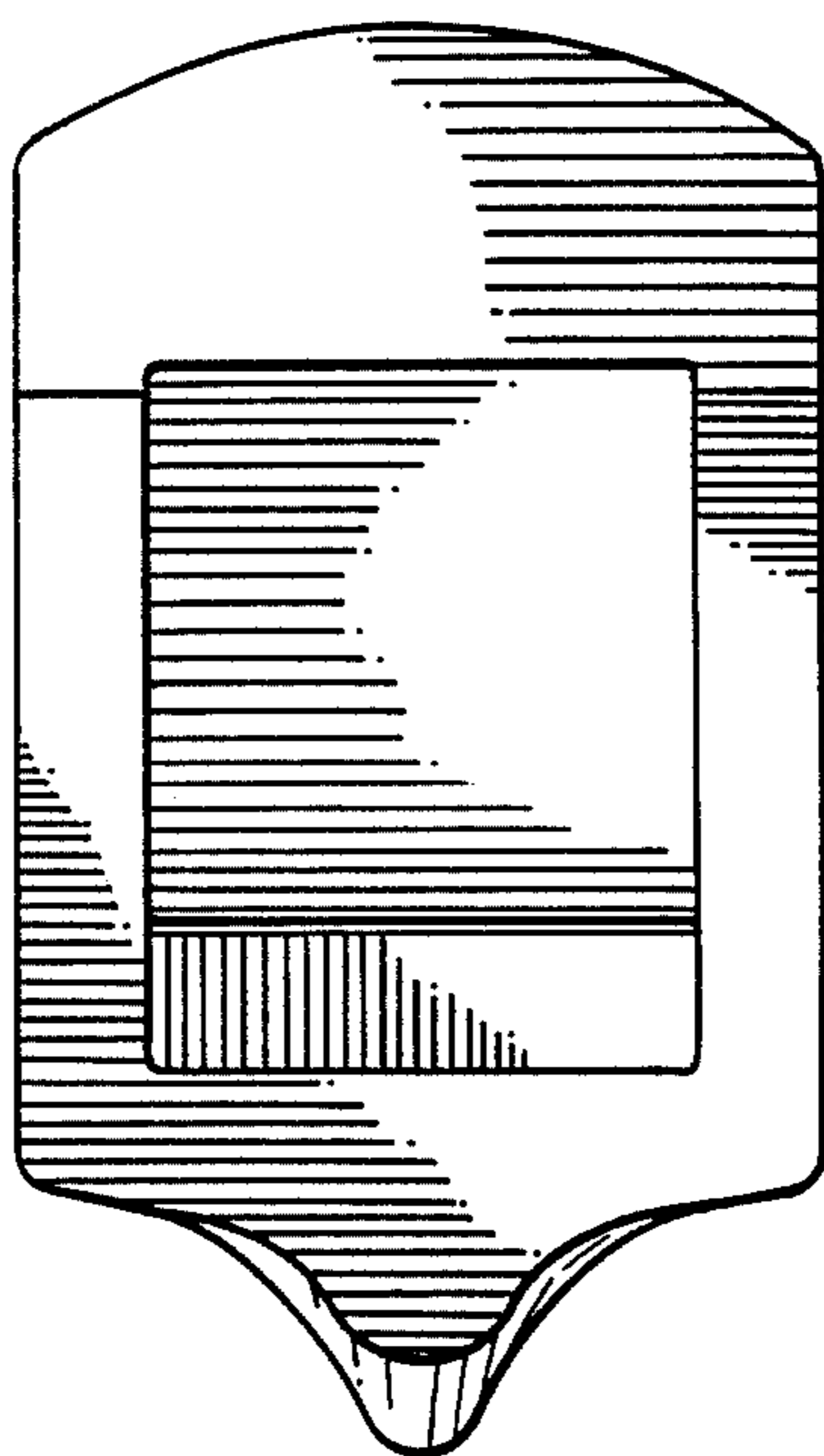


FIG. 2

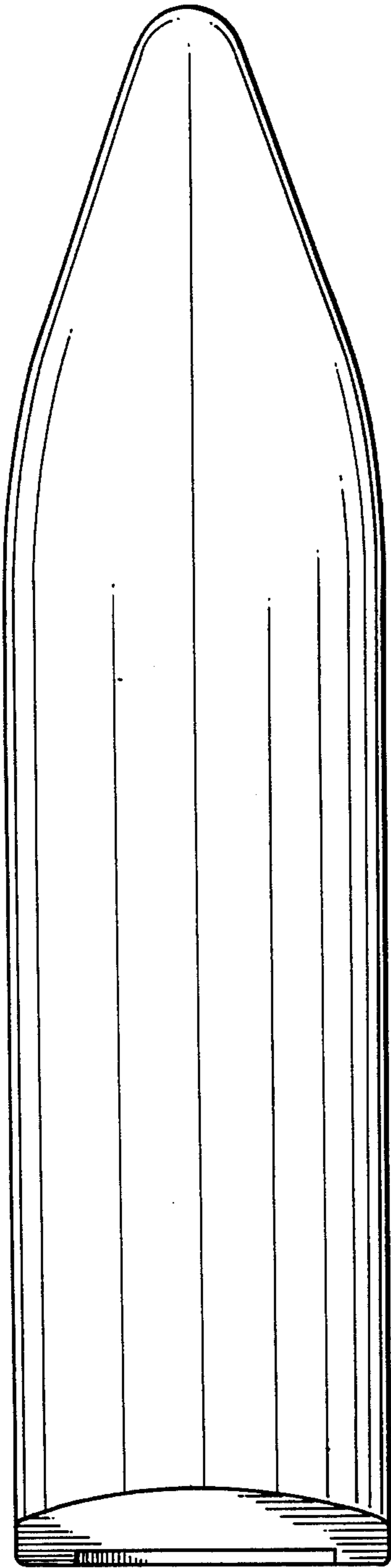


FIG. 3



FIG. 4

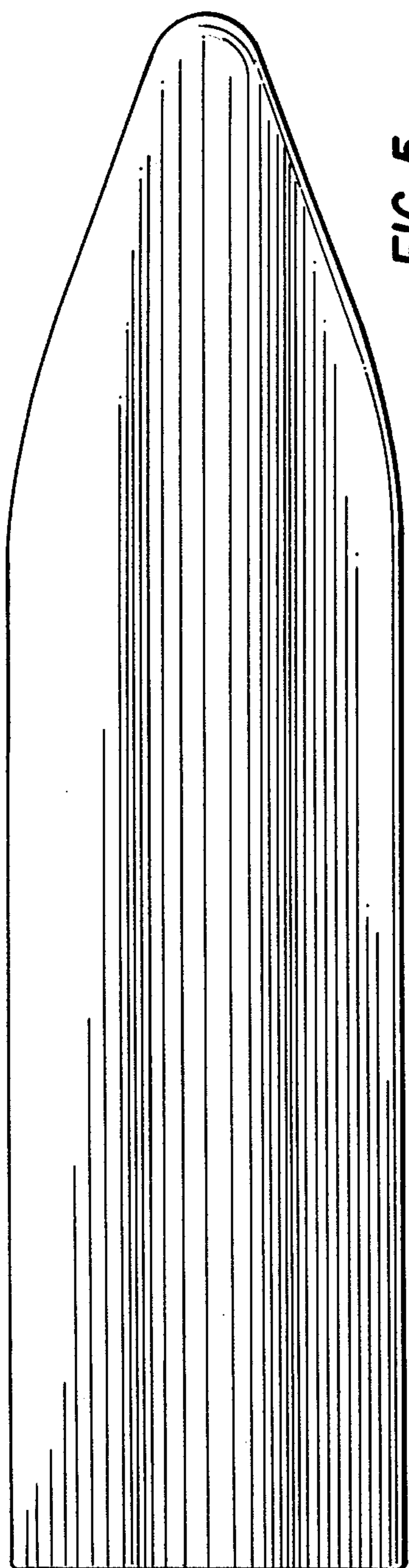


FIG. 5

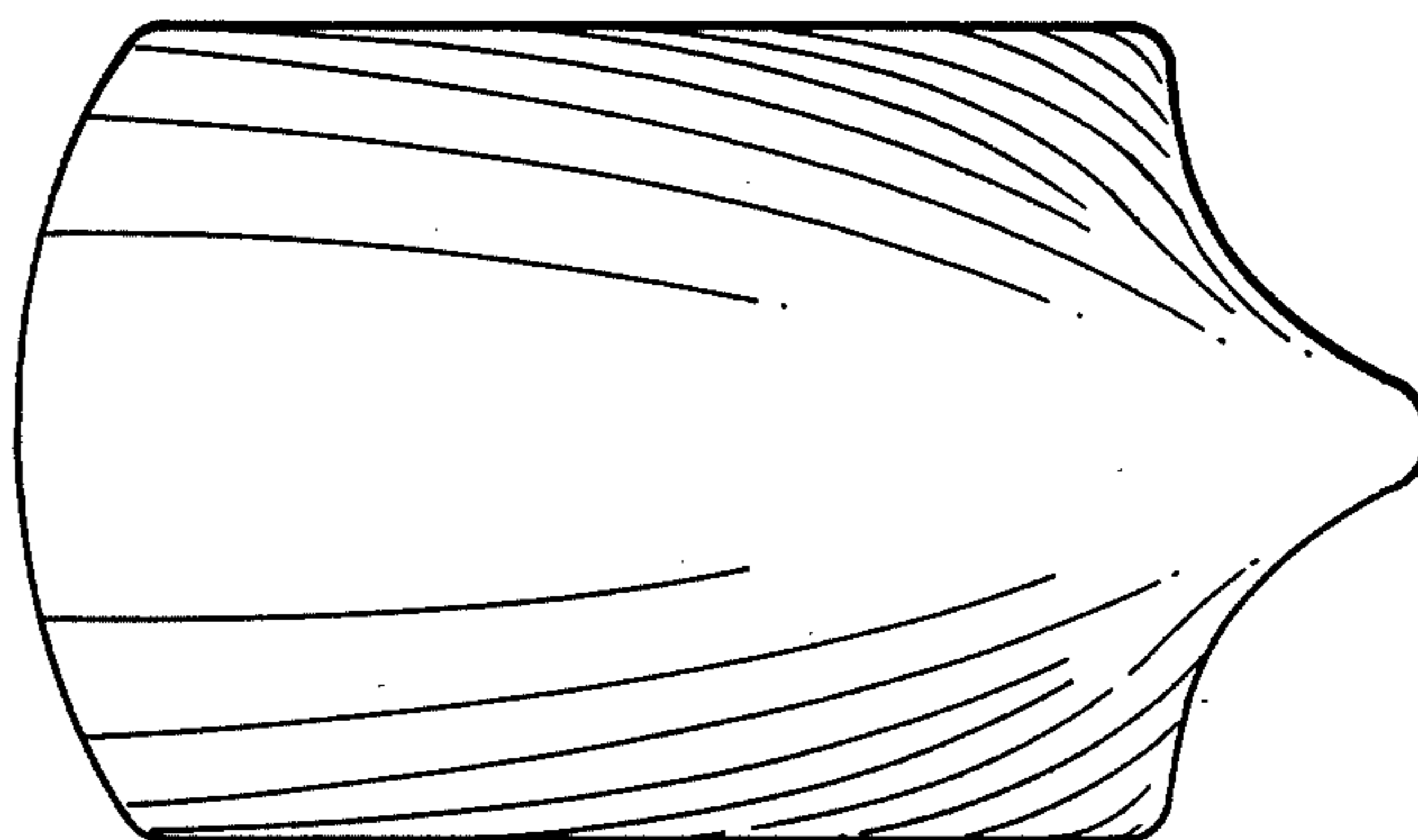


FIG. 6