

[54] INTERNAL COMBUSTION ENGINE

4,429,668 2/1984 Nakagawa et al. 123/56 R X

[75] Inventors: Gary S. Johnson, Racine; Thomas J. Green, West Bend, both of Wis.

OTHER PUBLICATIONS

Implement & Tractor, 2/21/79, p. 37, Kawasaki Engine Advertisement.

[73] Assignee: Briggs & Stratton Corporation, Wauwatosa, Wis.

Primary Examiner—Wallace R. Burke
Assistant Examiner—Brian N. Vinson
Attorney, Agent, or Firm—Andrus, Scales, Starke & Sawall

[**] Term: 14 Years

[21] Appl. No.: 182,743

[57] CLAIM

[22] Filed: Apr. 18, 1988

[52] U.S. Cl. D15/1

The ornamental design for an internal combustion engine, as shown.

[58] Field of Search D15/1, 3; 123/22, 50 R, 123/50 A, 50 B, 51 R, 51 A, 51 B, 52 R, 56 R, 56 A, 56 B, 65 R, 311

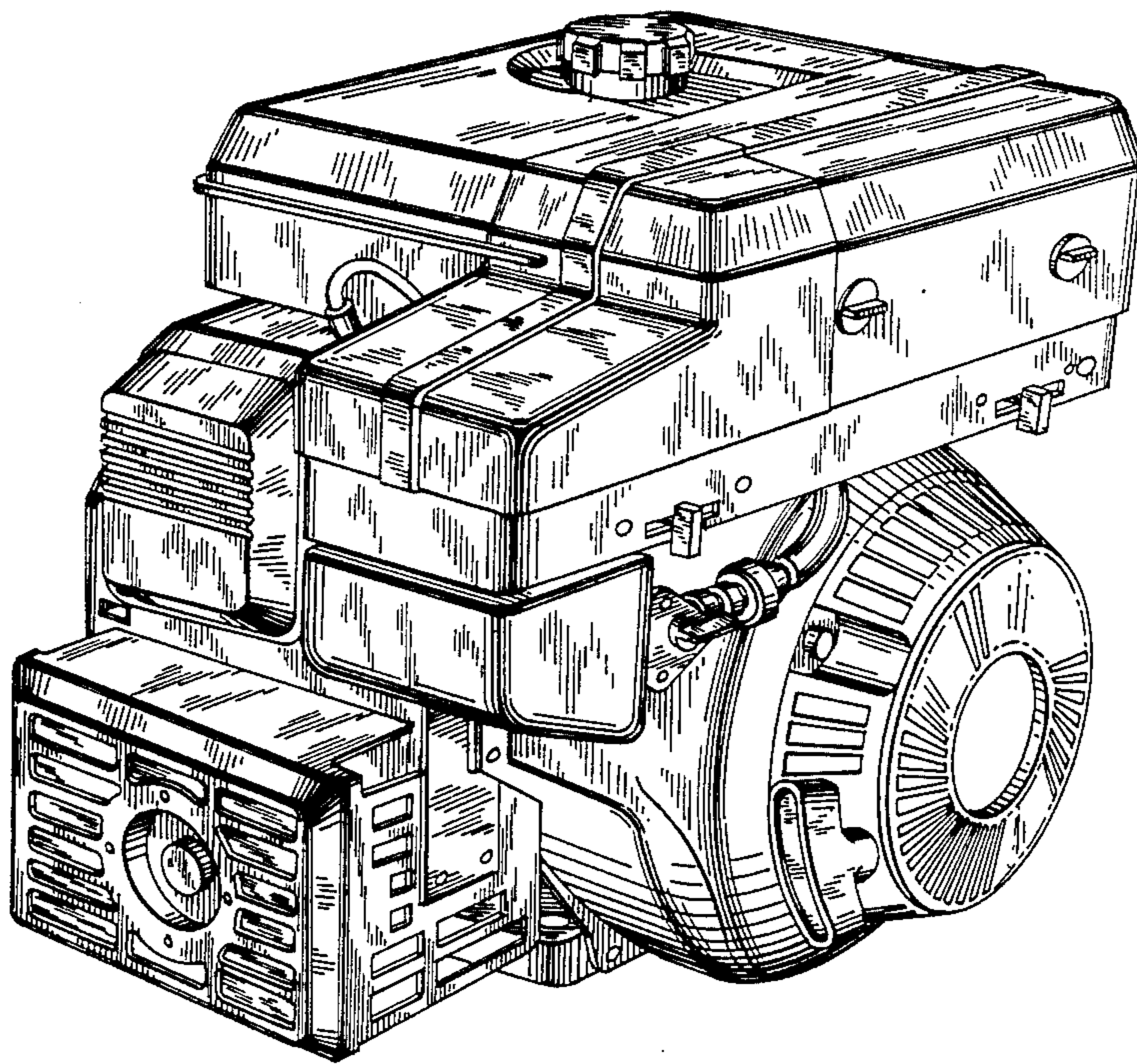
DESCRIPTION

[56] References Cited

U.S. PATENT DOCUMENTS

D. 247,177	2/1978	Stevens	D15/1
D. 282,071	1/1986	Nakamura	D15/1
D. 284,862	7/1986	Iida	D15/1
D. 294,832	3/1988	Itou et al.	D15/1

FIG. 1 is a front elevational view of an internal combustion engine showing our new design; FIG. 2 is a rear elevational view thereof; FIG. 3 is a top plan view thereof; FIG. 4 is a left side elevational view thereof; FIG. 5 is a right side elevational view thereof; and FIG. 6 is a perspective view thereof.



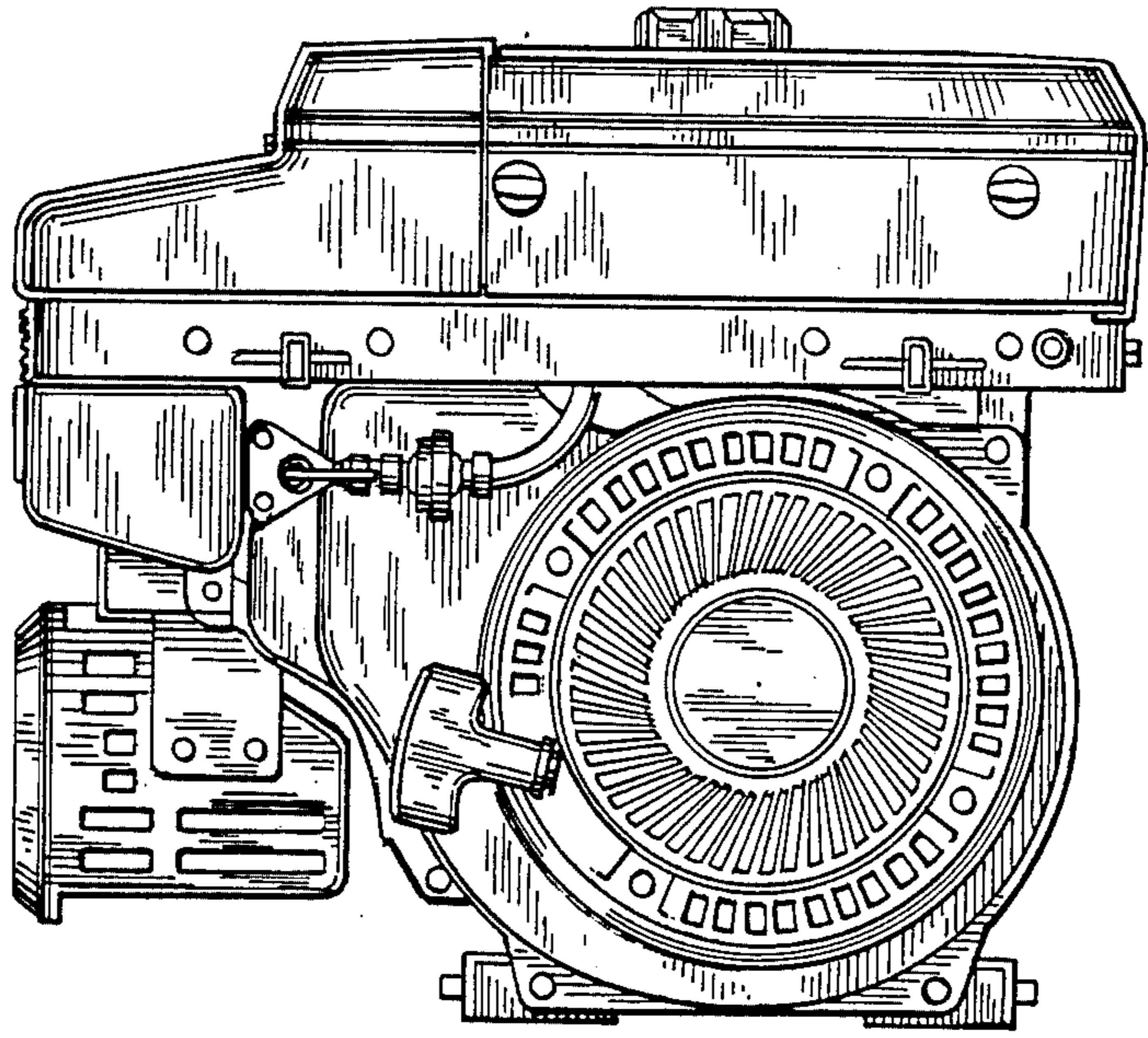


FIG. 1.

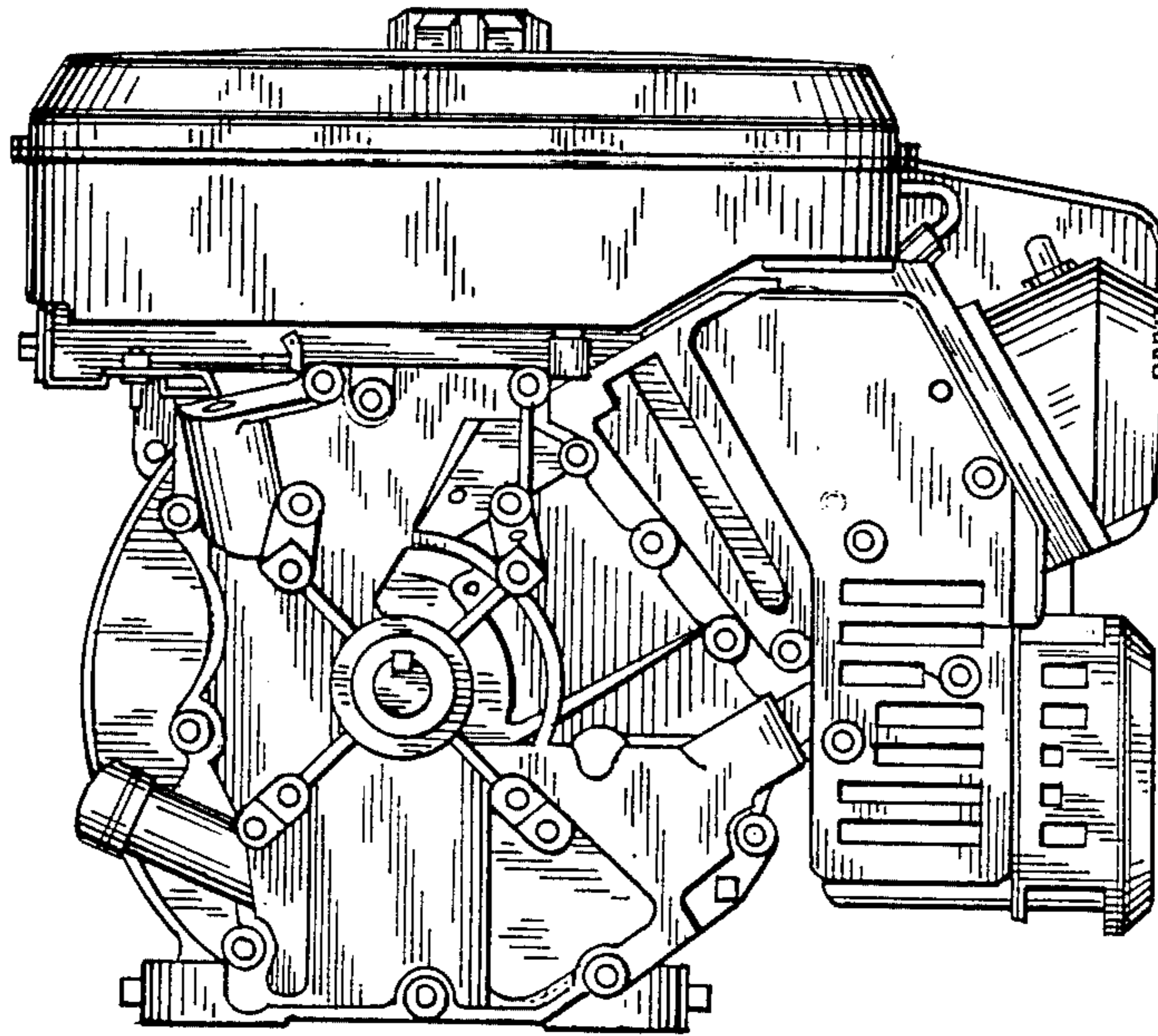


FIG. 2

FIG. 3

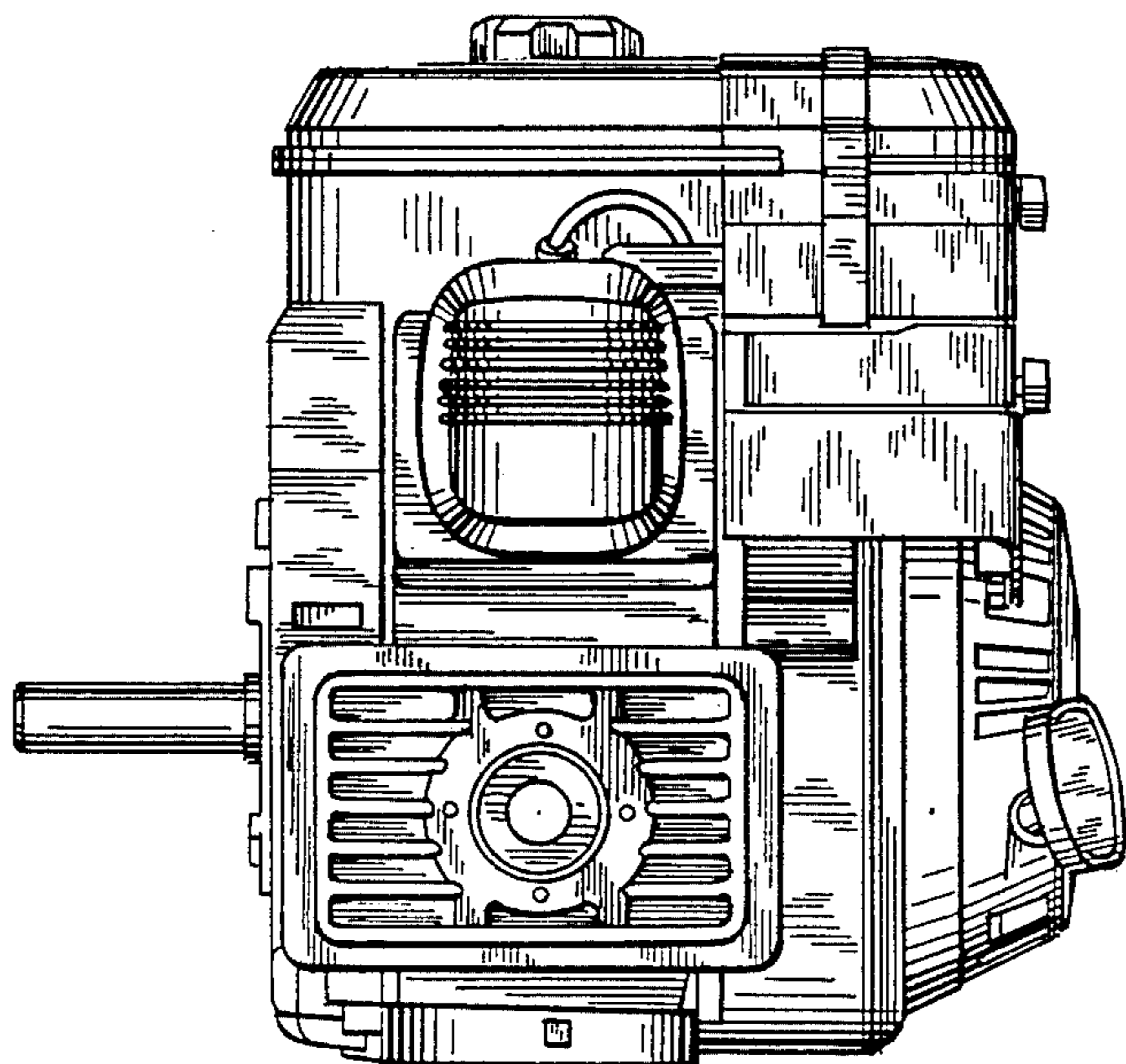
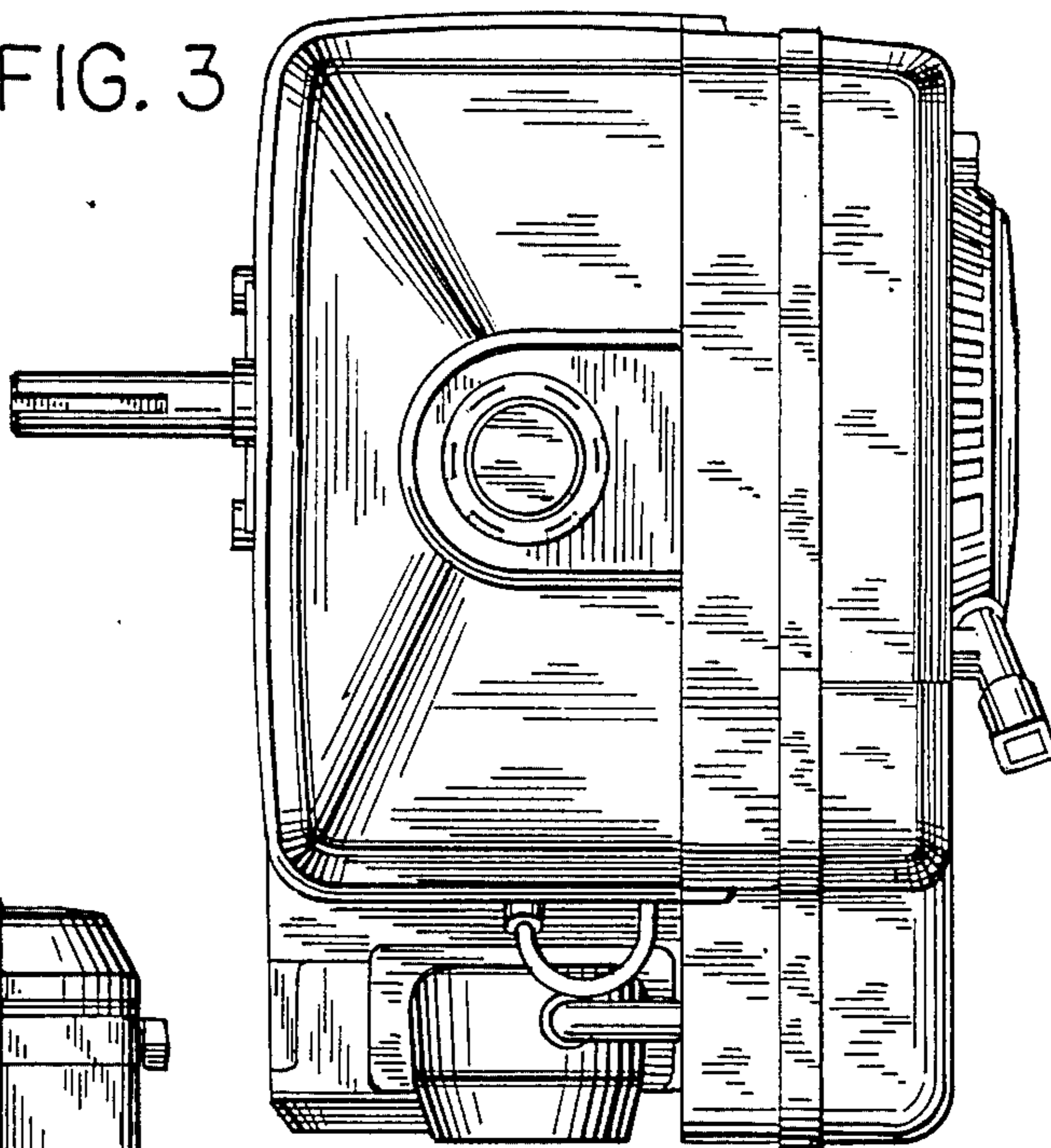
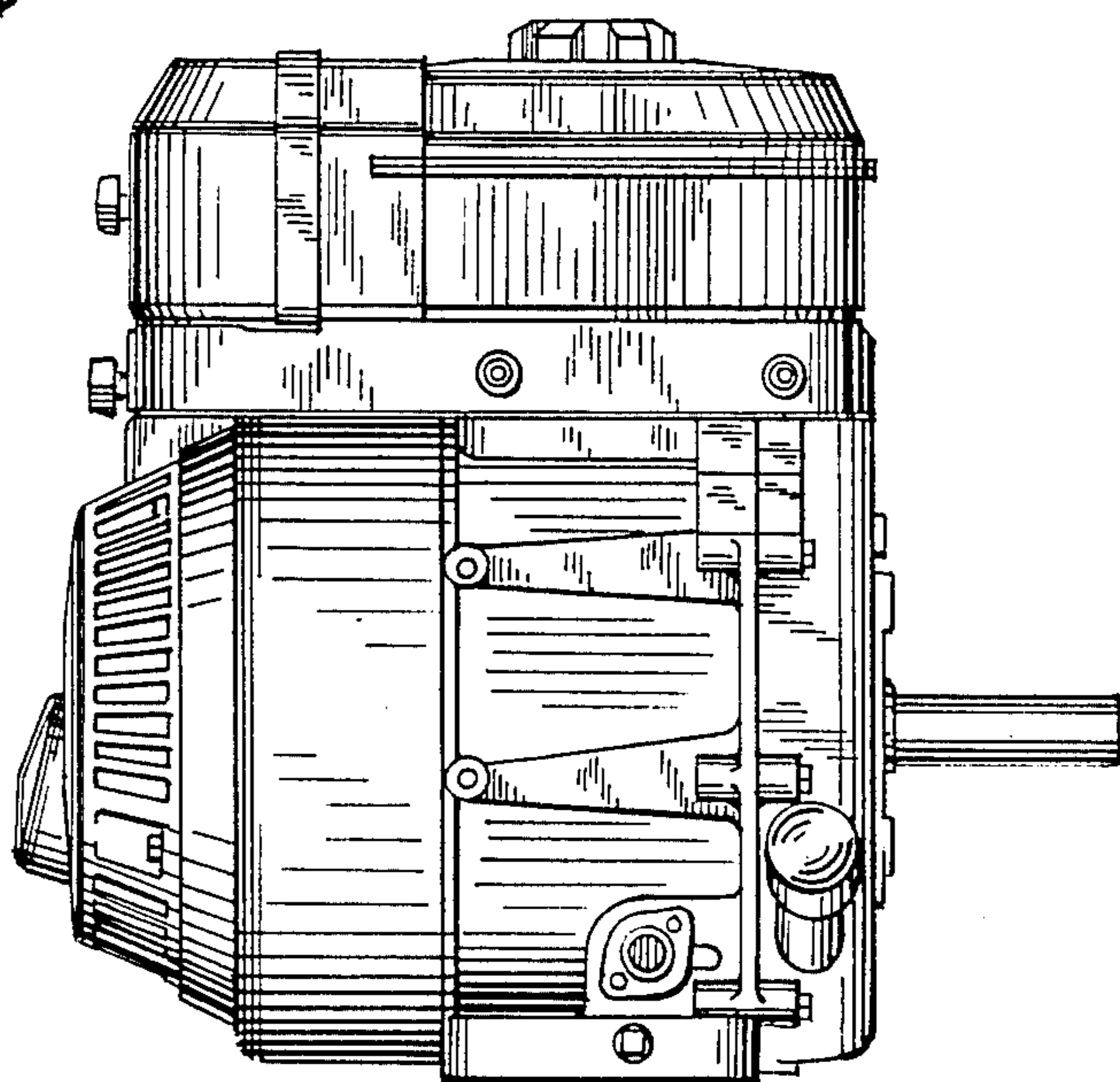


FIG. 4

FIG. 5



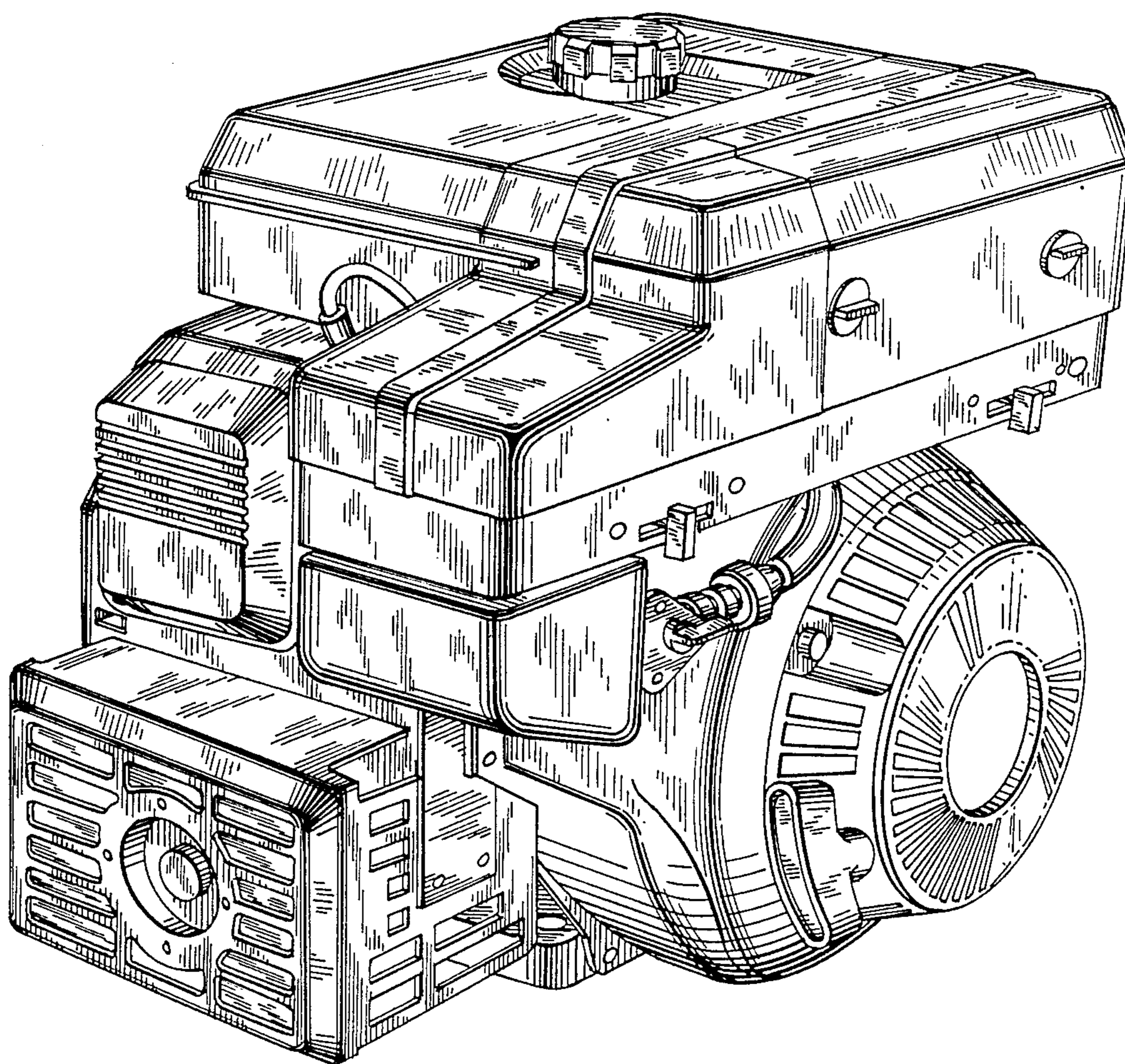


FIG. 6