

[54] **COMBINED TAPE RECORDER AND RADIO**

[75] **Inventor:** Tatsuo Mori, Osaka, Japan
[73] **Assignee:** Sharp Corporation, Osaka, Japan
[**] **Term:** 14 Years
[21] **Appl. No.:** 204,183
[22] **Filed:** Jun. 8, 1988

[30] **Foreign Application Priority Data**

Dec. 11, 1987 [JP] Japan 62-50841
[52] **U.S. Cl.** D14/163; D14/168
[58] **Field of Search** D14/141, 160-168,
D14/188-189, 191-192, 196, 199, 202, 299;
455/344, 350, 351

[56] **References Cited**

U.S. PATENT DOCUMENTS

D. 268,755	4/1983	Culbertson	D14/163
D. 274,722	7/1984	Mishiro et al.	D14/163
D. 297,833	9/1988	Kawabe et al.	D14/163
D. 297,834	9/1988	Kawabe et al.	D14/163

OTHER PUBLICATIONS

HFD; 12/14/87; p. 84; top right—Soundesign Combination Radio Cassette.
HFD; 01/05/87; p. 116 (insert); Sanyo Model MS450.
HFD; 06/01/87; p. 116; top right—Gran Prix Dual--Cassette Portable Stereo.
HFD; 06/06/88; p. 134; top right—Sharp Model WQ-T354 Portable Music System.

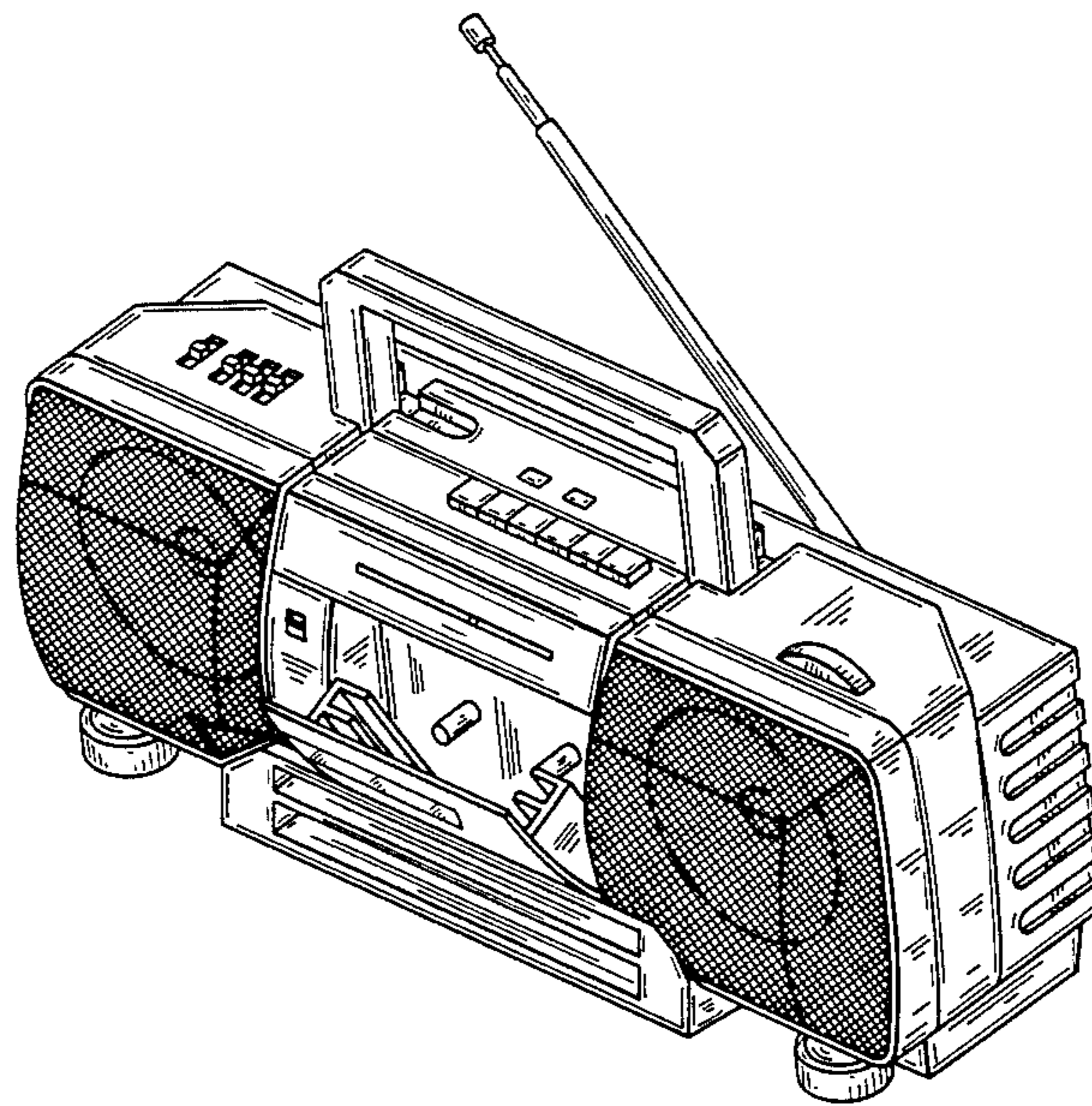
Primary Examiner—Theodore M. Shooman
Attorney, Agent, or Firm—Flehr, Hohbach, Test, Albritton & Herbert

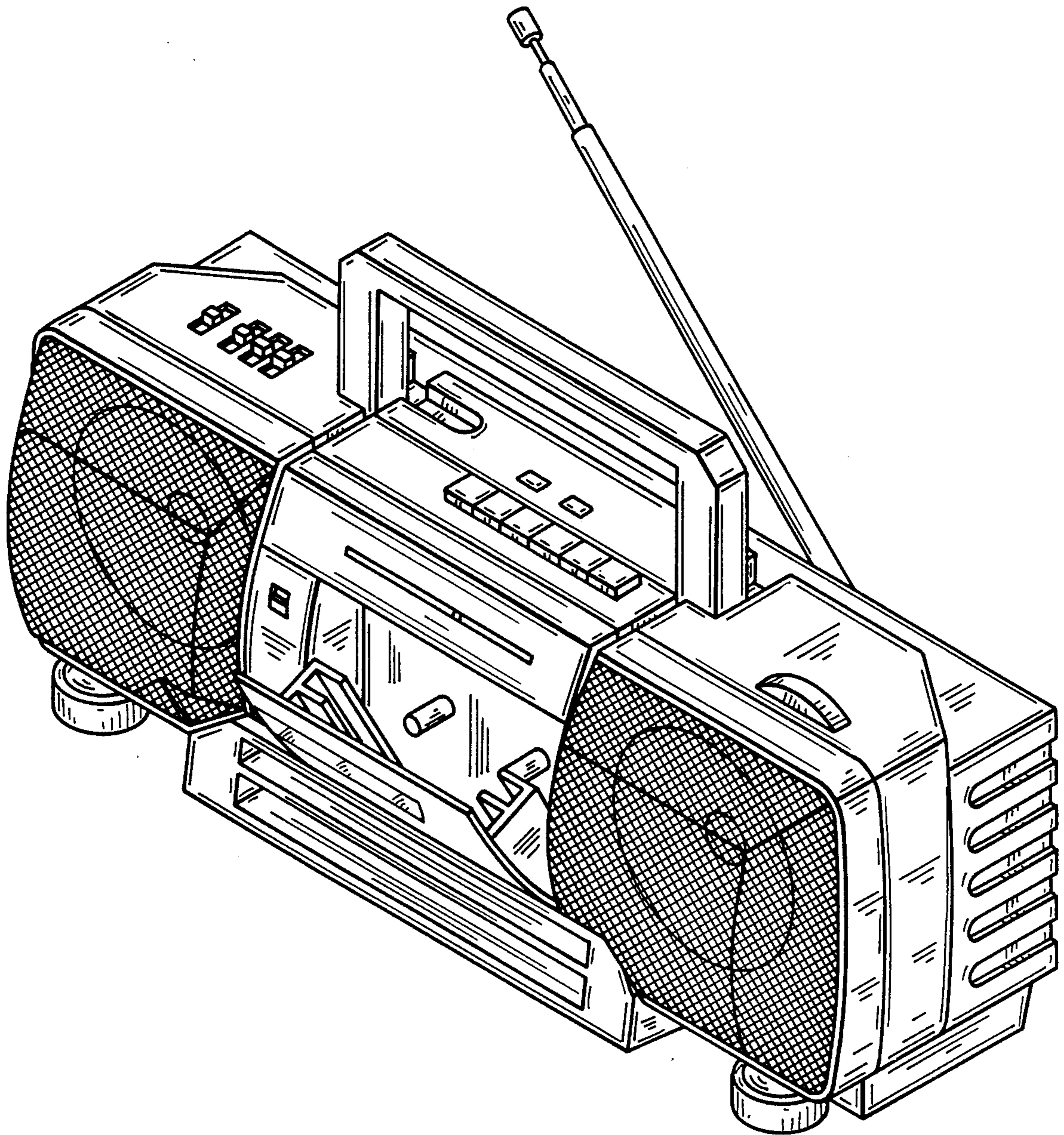
[57] **CLAIM**

The ornamental design for a combined tape recorder and radio, as shown and described.

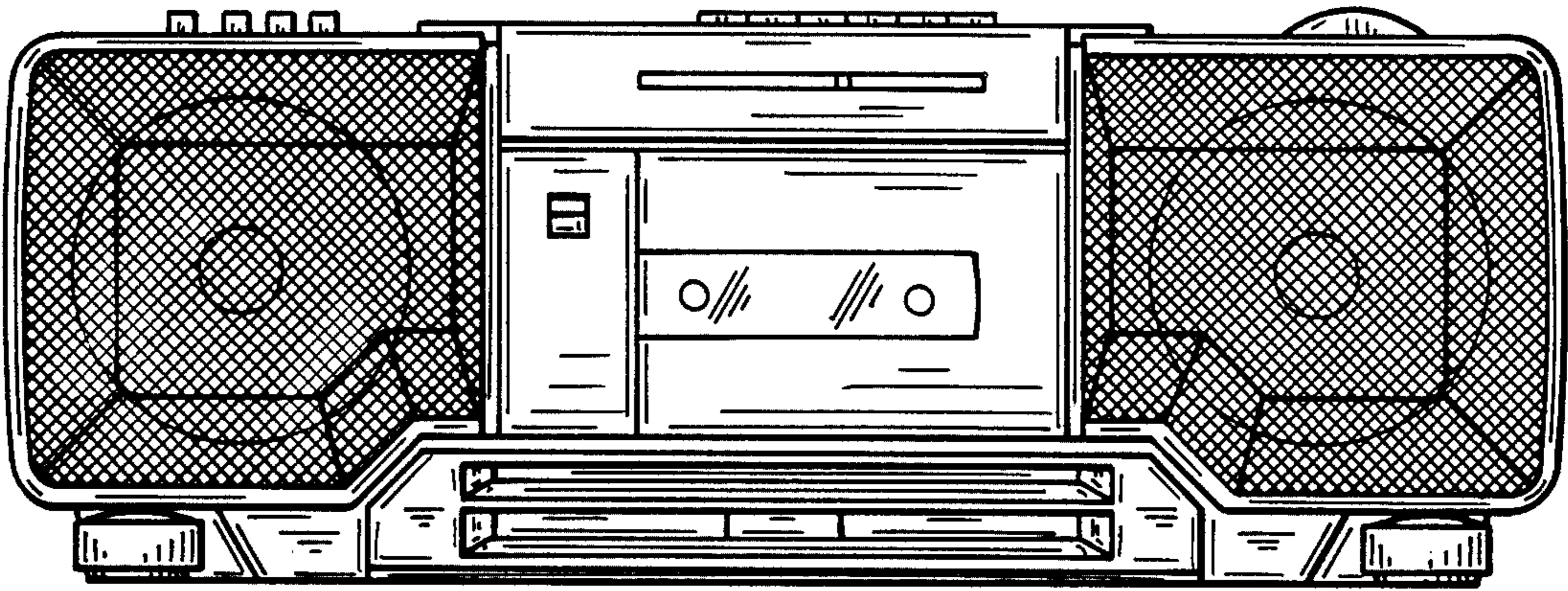
DESCRIPTION

FIG. 1 is a top, front and right side perspective view of a combined tape recorder and radio showing our new design, with the antenna and handle extended and the tape holder in an open position;
FIG. 2 is a front elevational view thereof;
FIG. 3 is a rear elevational view thereof;
FIG. 4 is a top plan view thereof;
FIG. 5 is a bottom plan view thereof;
FIG. 6 is a right side elevational view thereof; and
FIG. 7 is a left side elevational view thereof.

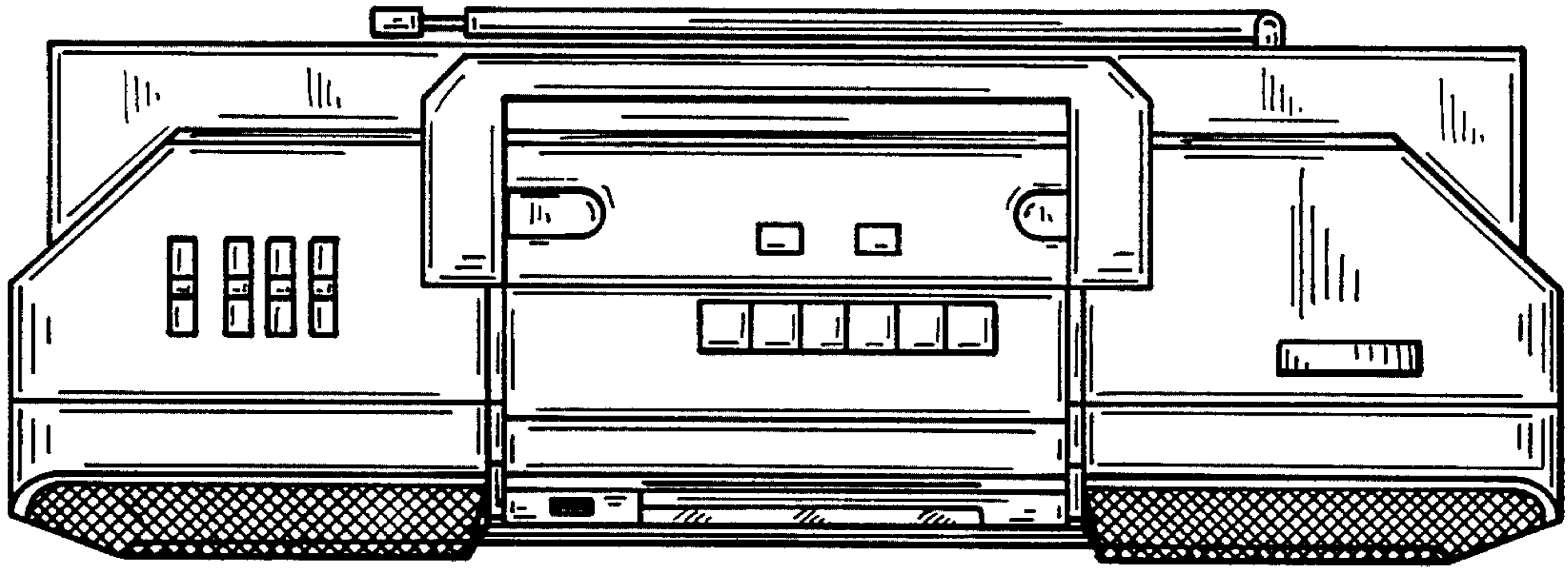




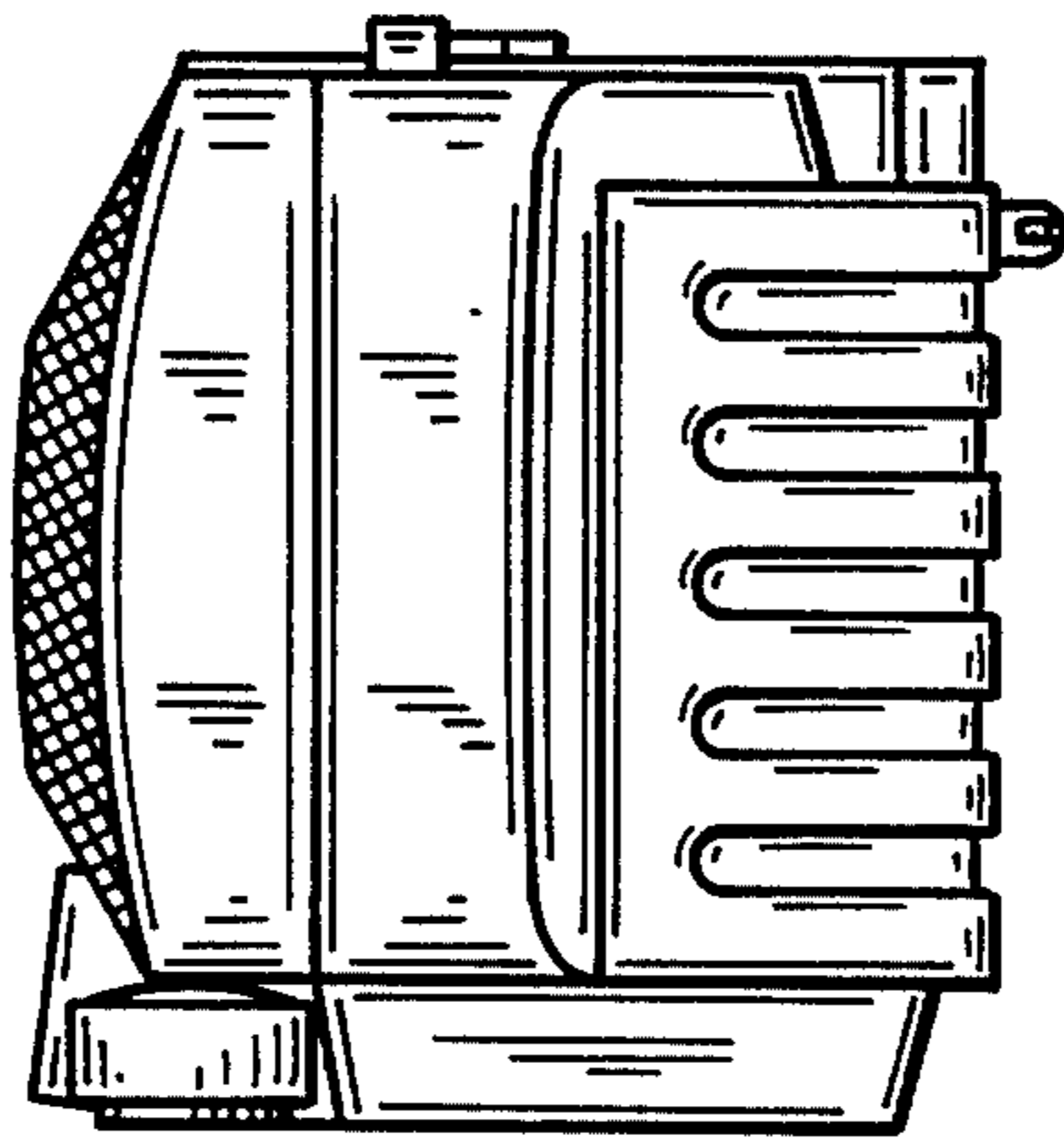
FIG_1



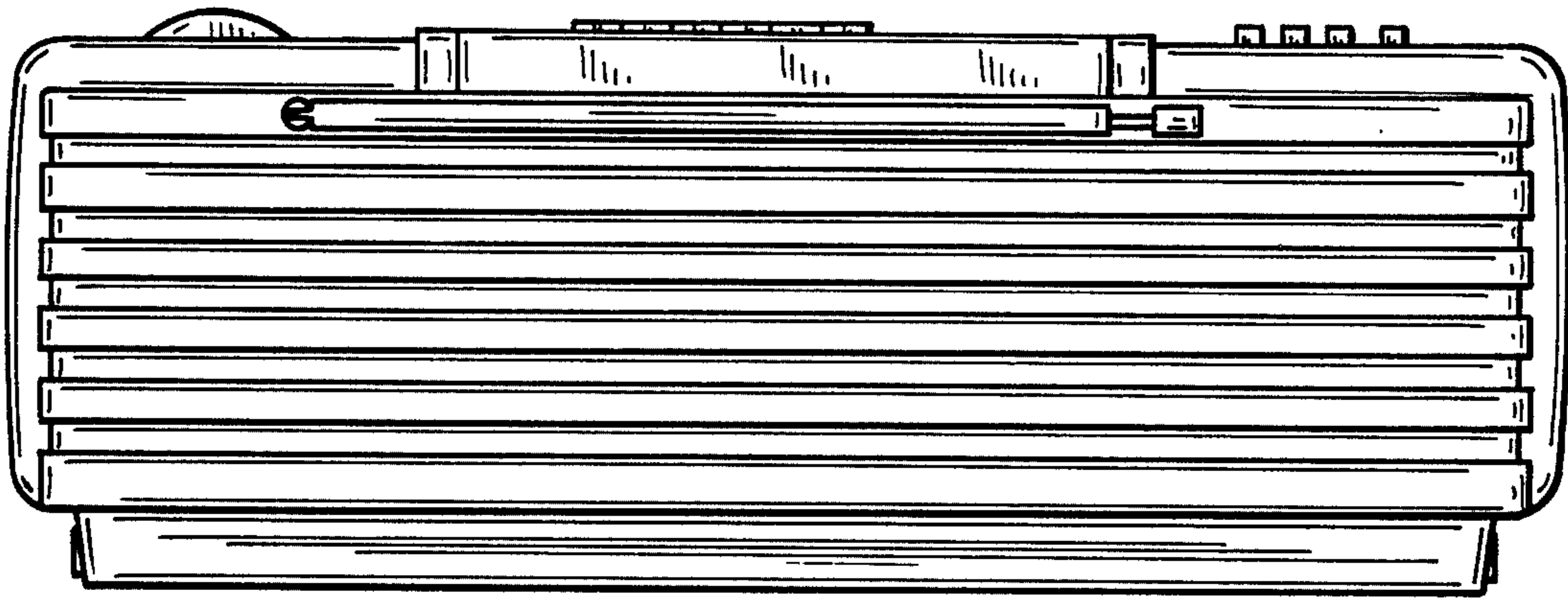
FIG_2



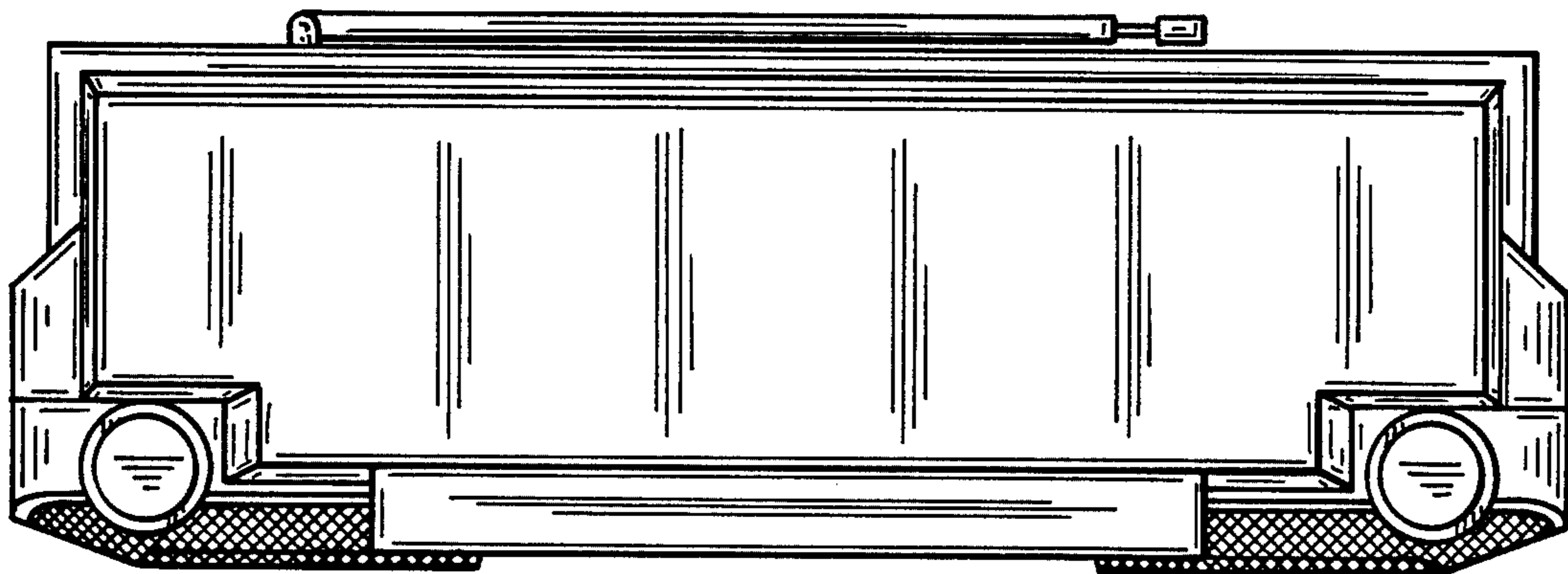
FIG_4



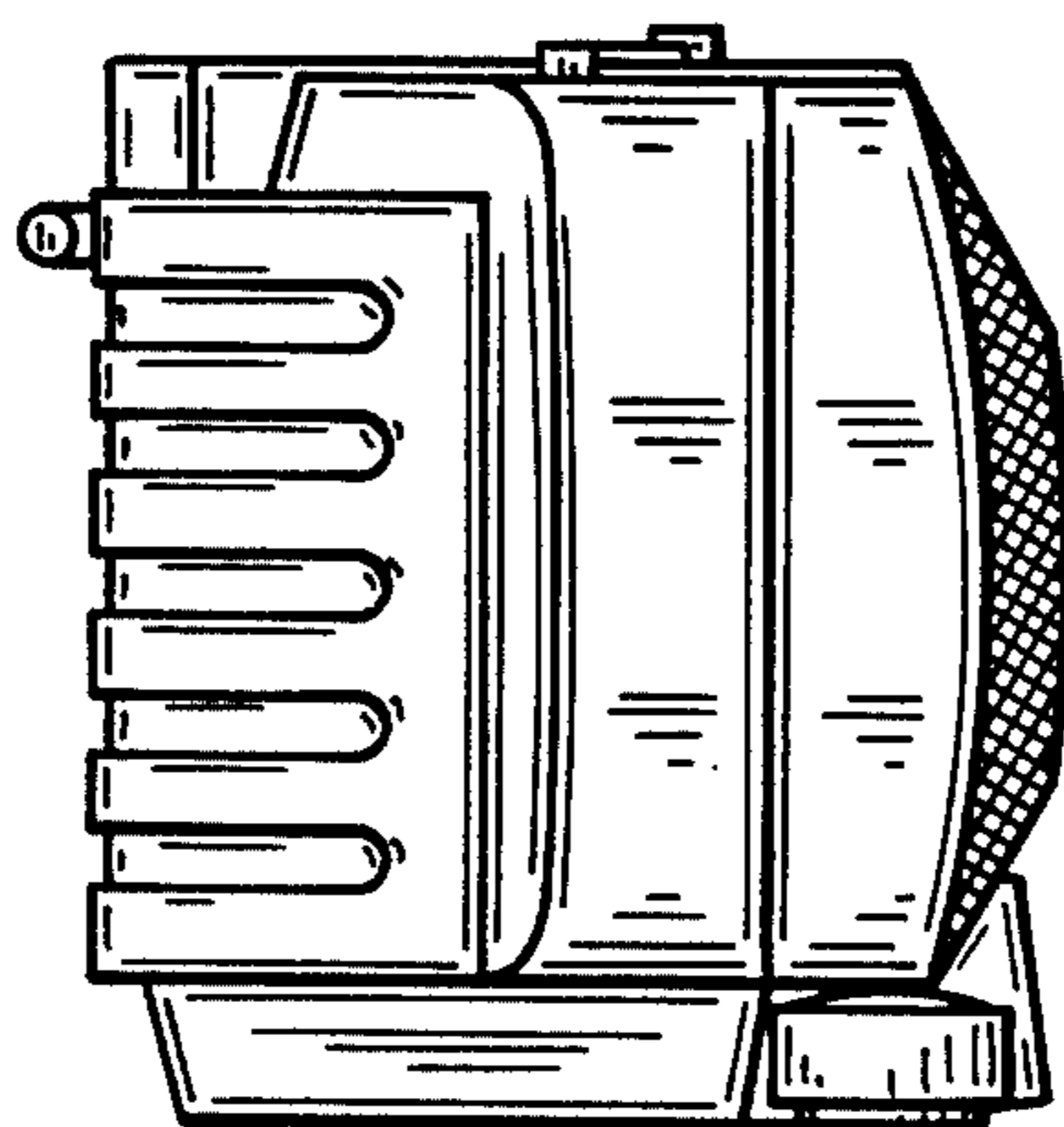
FIG_6



FIG_3



FIG_5



FIG_7