

[54] **PORTABLE RADIOTELEPHONE OR SIMILAR ARTICLE**

[75] **Inventor:** Albert L. Nagele, Wilmette, Ill.

[73] **Assignee:** Motorola, Inc., Schaumburg, Ill.

[**] **Term:** 14 Years

[21] **Appl. No.:** 146,143

[22] **Filed:** Jan. 15, 1988

[52] **U.S. Cl.** D14/137; D14/138

[58] **Field of Search** D14/124, 137-139,
D14/157, 159, 191, 218, 251, 257, 258, 299;
379/58, 59; 455/73, 89, 90

[56] **References Cited**

U.S. PATENT DOCUMENTS

D. 246,043	10/1977	Taylor	D14/138
D. 250,890	1/1979	Stokes	D14/138
D. 271,490	11/1983	Fukushima et al.	D14/138
D. 282,169	1/1986	Larson	D14/65
D. 301,473	6/1989	Rojc	D14/138 X
3,824,465	7/1974	Blough	379/58 X
4,286,335	8/1981	Eichler et al.	455/89
4,881,258	11/1989	Kaiwa et al.	379/58

OTHER PUBLICATIONS

Radio Shack, 1988 Catalog No. 419, p. 4 (CT-200 Transportable Cellular Phone).

Motorola, Product Brochure R3-4-02A (1975), Handie-Talkie FM Radio PT-300 Series.

Motorola, Product Brochure R3-4-01A (1973), PT-200/300 Series FM Handie-Talkie.

Primary Examiner—Theodore M. Shooman

Attorney, Agent, or Firm—Raymond A. Janski; Rolland R. Hackbart

[57] **CLAIM**

The ornamental design for a portable radiotelephone or similar article, as shown and described.

DESCRIPTION

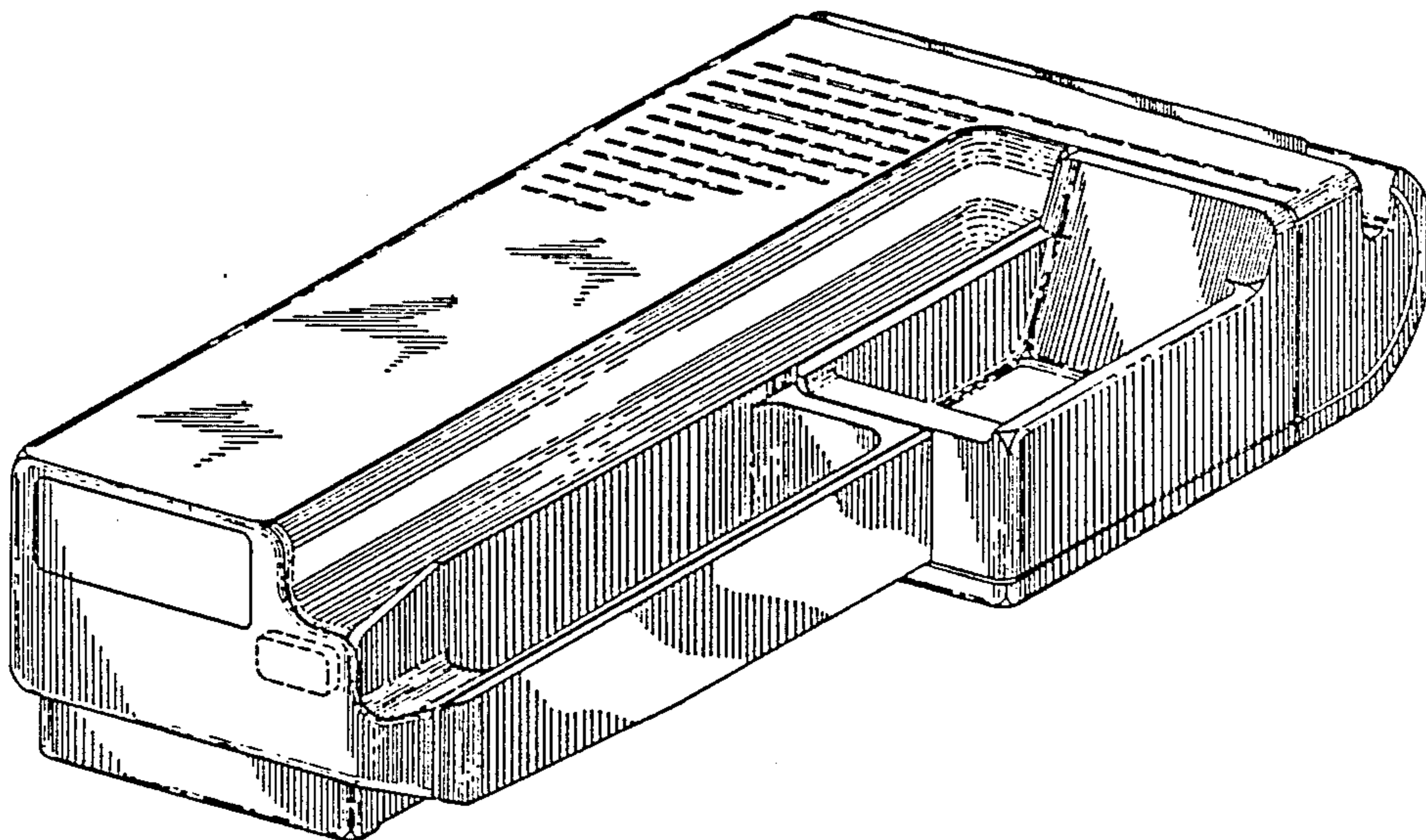
FIG. 1 is a top, front, and right side perspective view of a portable radiotelephone or similar article showing my new design, with the broken line matter being for illustrative purposes only and forming no part of the claimed design;

FIG. 2 is a rear elevational view thereof;

FIG. 3 is a left side elevational view thereof;

FIG. 4 is a bottom plan view thereof;

FIG. 5 is a top, front and right side perspective view thereof, the telephone handset receiver cup portion is rotated 90 degrees.



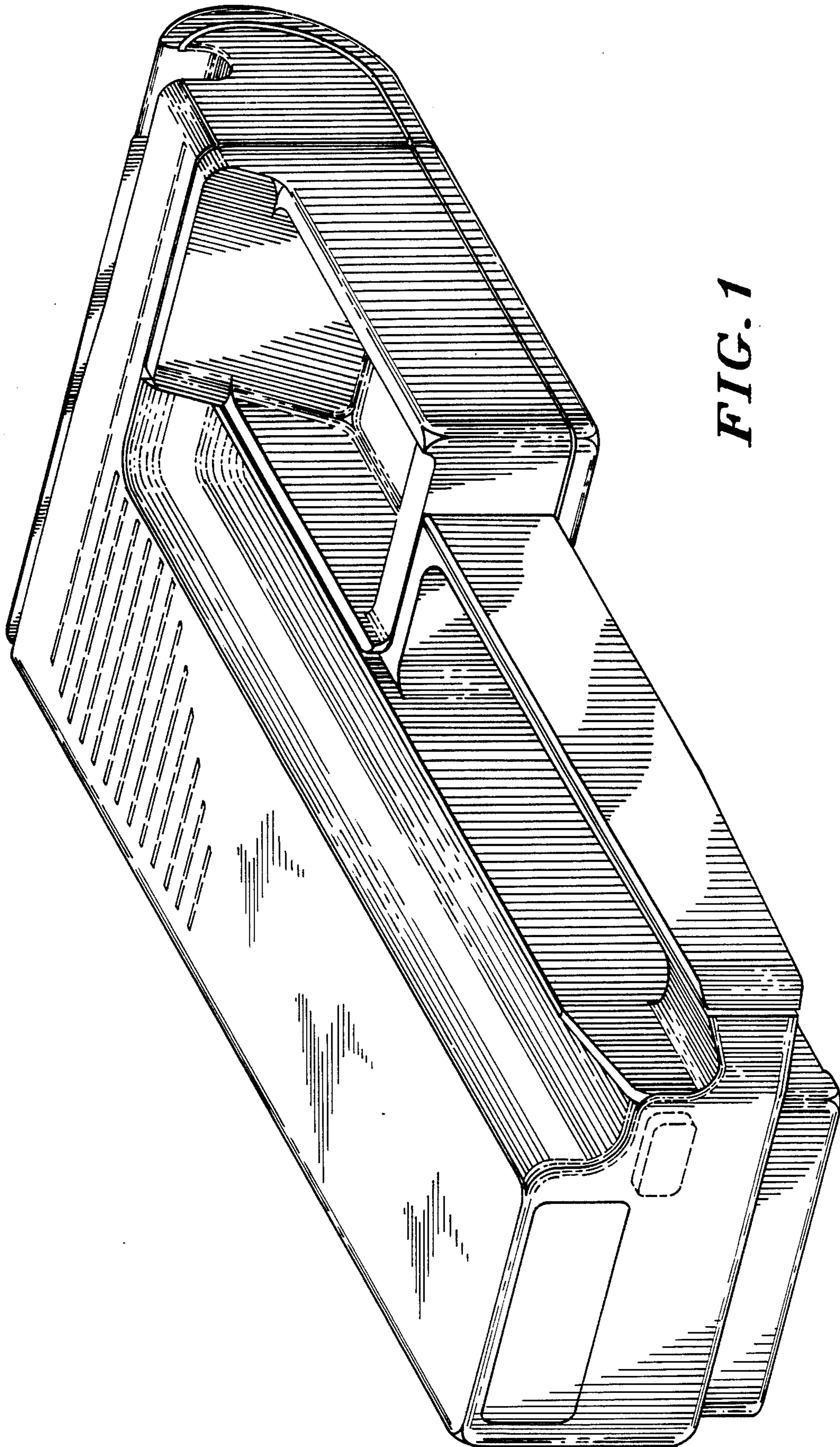


FIG. 1

FIG. 2

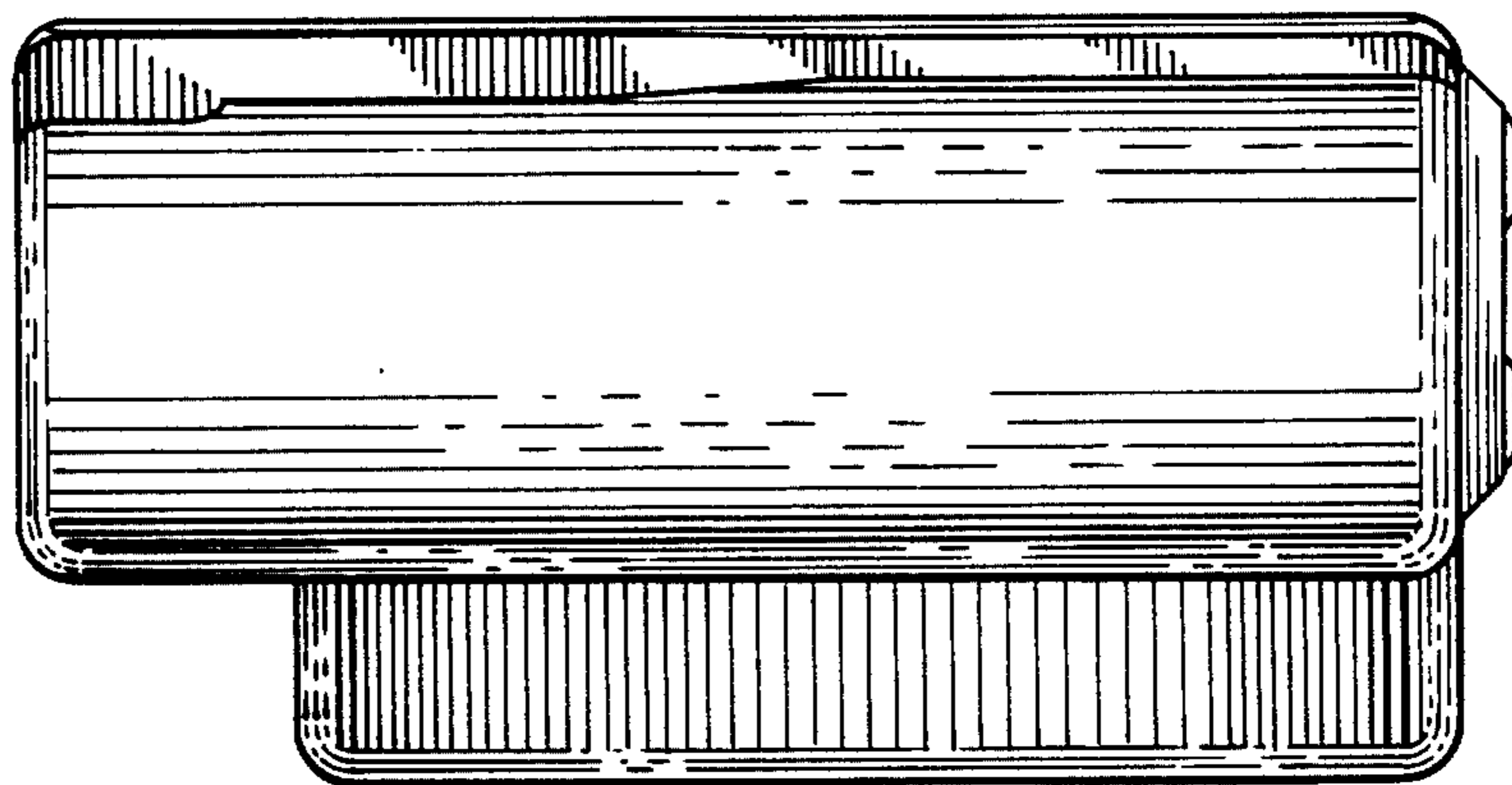
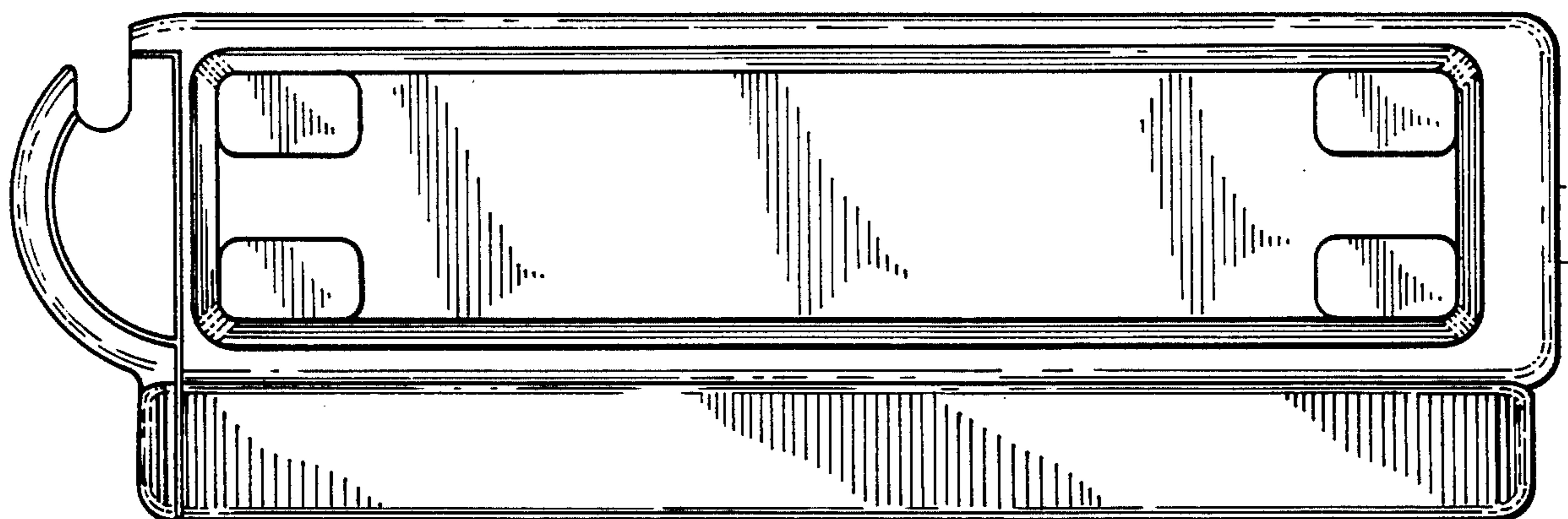


FIG. 3



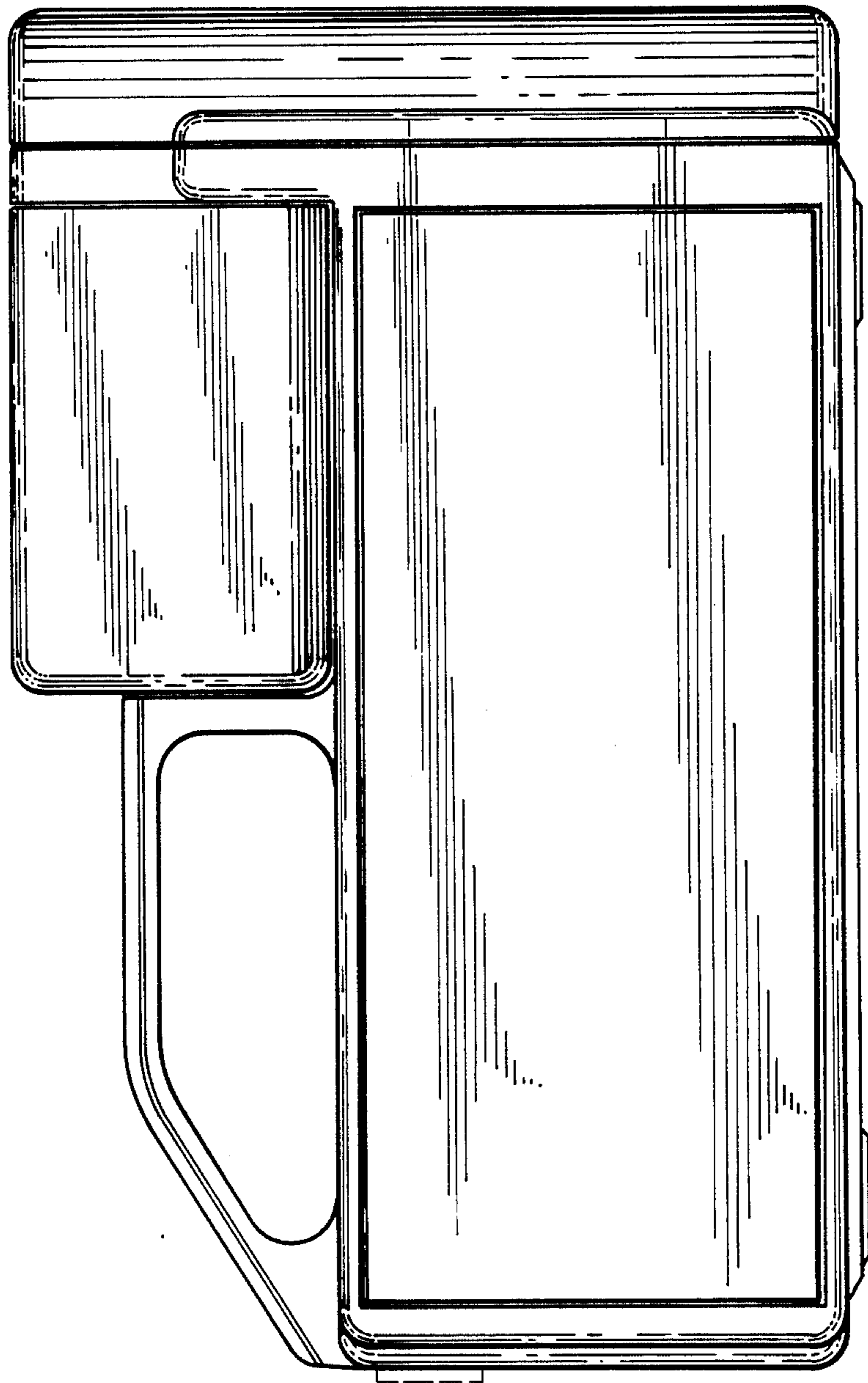


FIG. 4

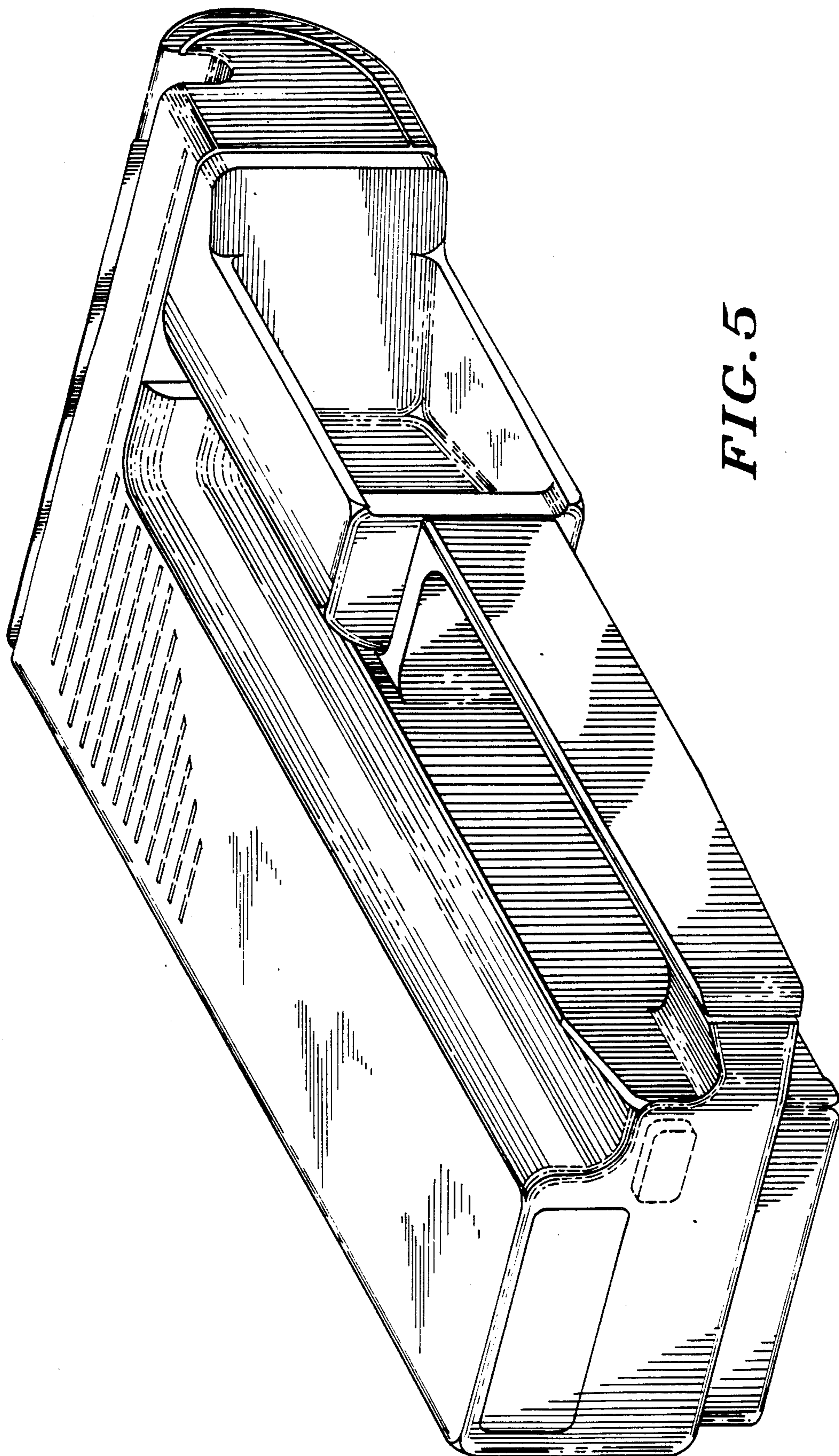


FIG. 5