

[54] MINI PROGRAMMABLE LOGIC CONTROLLER

[75] Inventor: Walter M. Russell, Houston, Tex.

[73] Assignee: Square D Company, Palatine, Ill.

[\*\*] Term: 14 Years

[21] Appl. No.: 179,008

[22] Filed: Apr. 8, 1988

[52] U.S. Cl. .... D13/162

[58] Field of Search ..... D13/12, 35, 40, 41, D13/99; D14/100, 101, 114; 361/331-334, 346, 390-394; 364/141, 146, 147, 188, 190-193; 901/3, 4, 5

[56] References Cited

U.S. PATENT DOCUMENTS

D. 292,394	10/1987	Boucher	.....	D13/12
D. 296,432	6/1988	Harris et al.	.....	D13/12
3,942,077	3/1976	Powers	.....	D13/12 X
4,558,914	12/1985	Prager et al.	.....	361/393 X
4,716,497	12/1987	Craker	.....	361/395

4,738,632 4/1988 Schmidt et al. .... 361/393 X

FOREIGN PATENT DOCUMENTS

1035318 1/1964 United Kingdom ..... 361/194

OTHER PUBLICATIONS

Square D Company, 1987 brochure, "Programmable and Cell Controller Product Overview".

Primary Examiner—Susan J. Lucas

Assistant Examiner—Joel Sincavage

Attorney, Agent, or Firm—Michael J. Femal

[57] CLAIM

The ornamental design for a mini programmable logic controller, as shown.

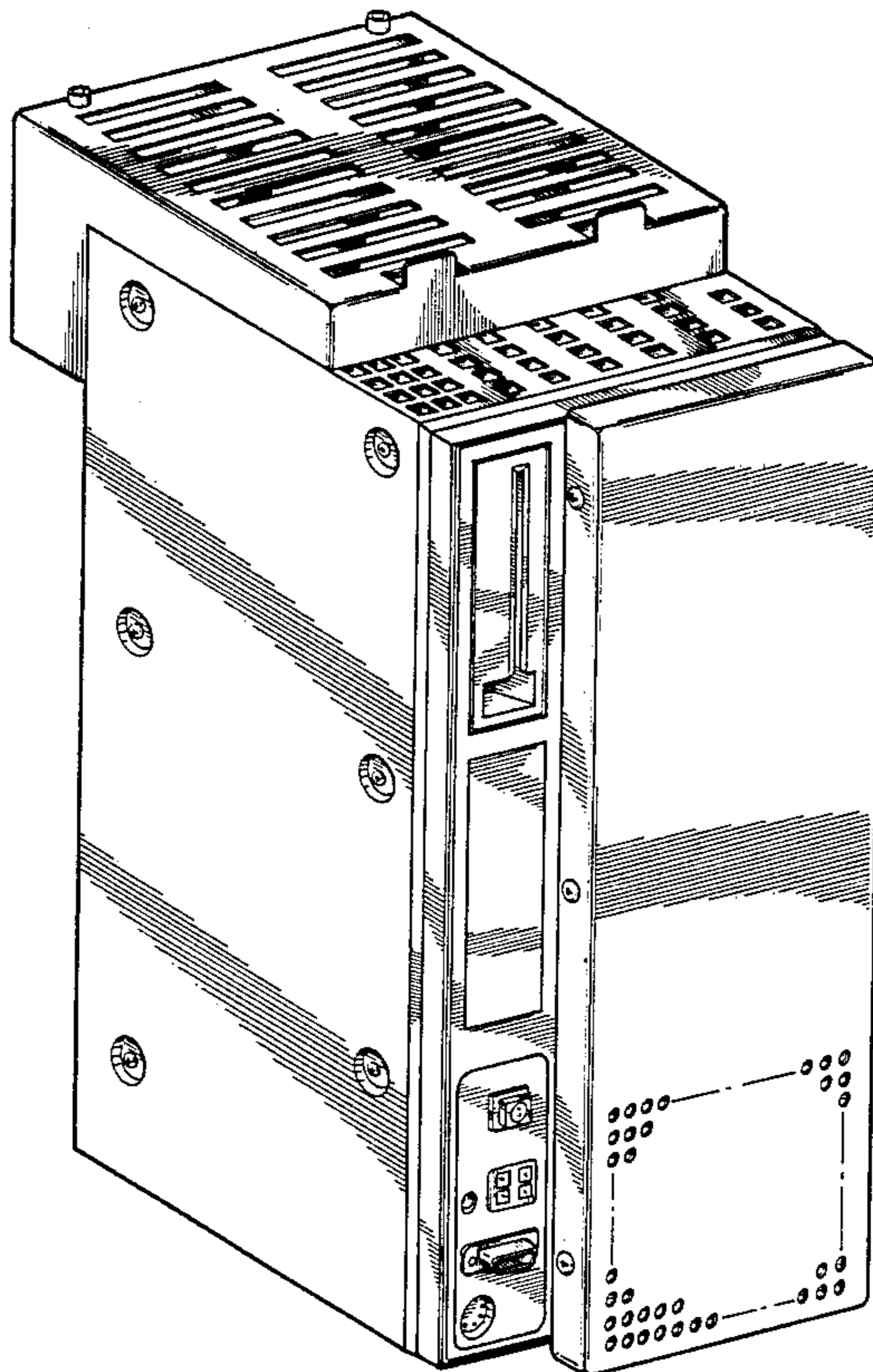
DESCRIPTION

FIG. 1 is a top, left, front perspective view of a mini-programmable logic controller showing my new design;

FIG. 2 is a right side elevational view thereof;

FIG. 3 is a rear elevational view thereof;

FIG. 4 is a bottom plan view thereof.



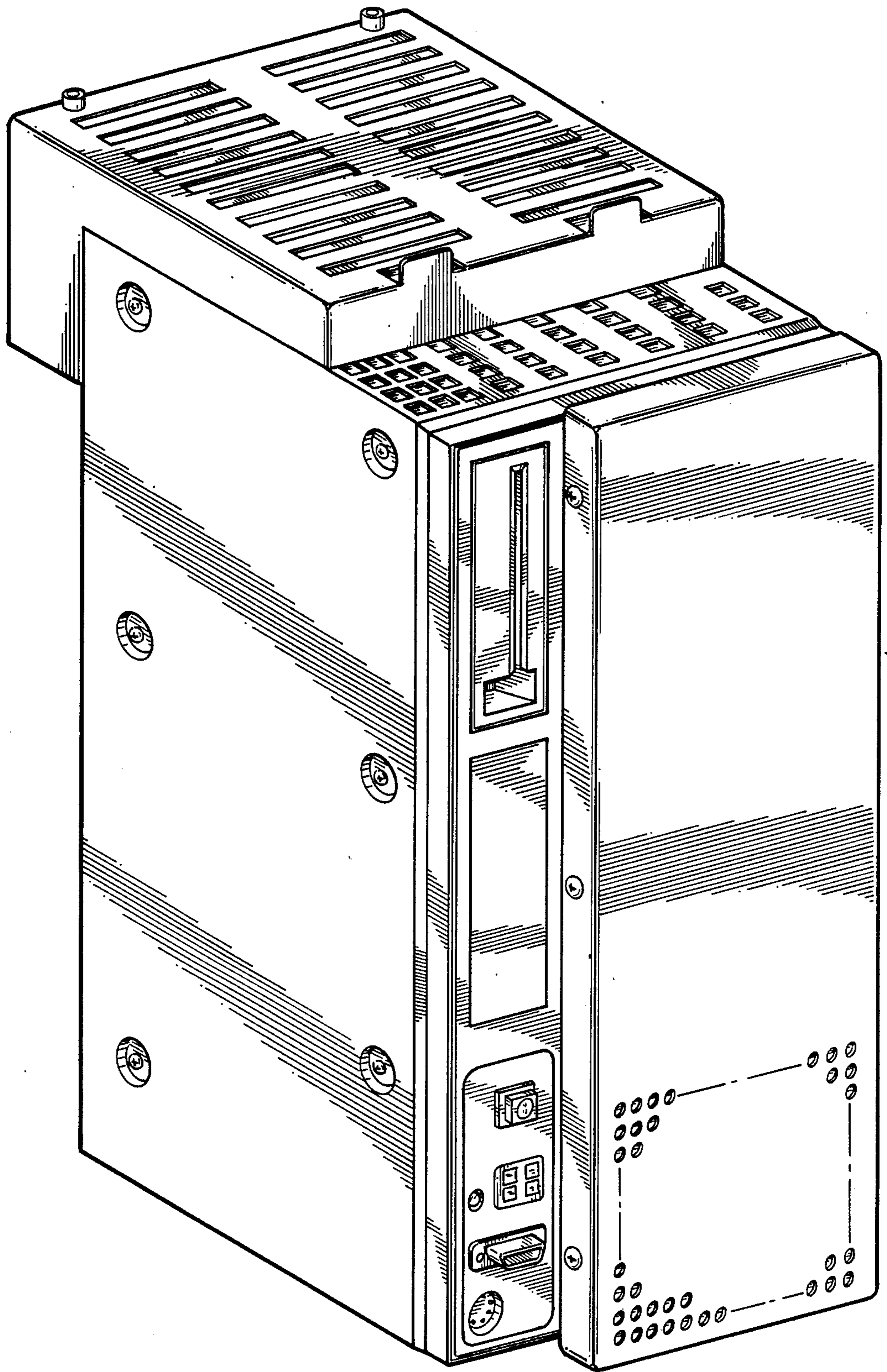


FIG. 1

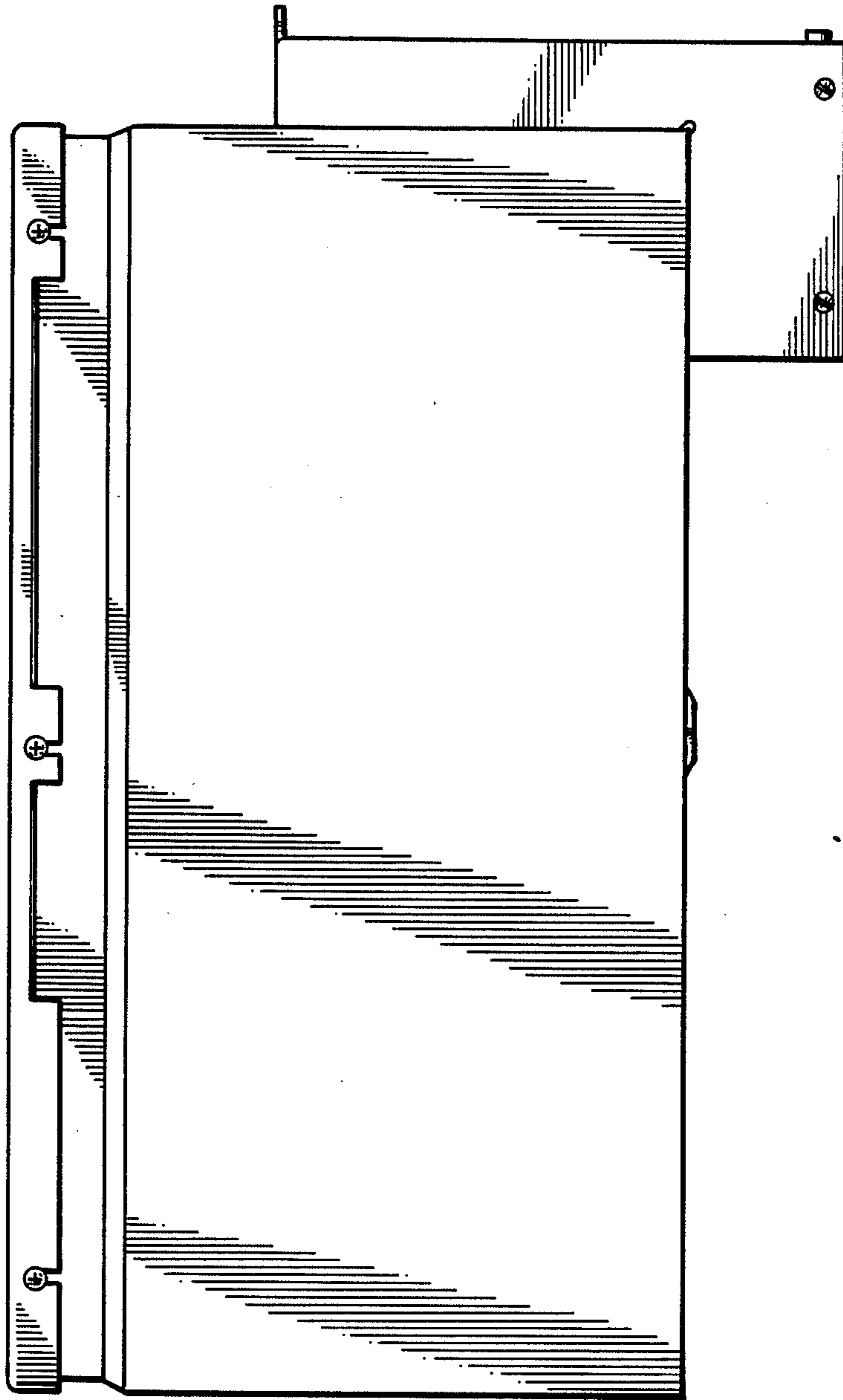


FIG. 2

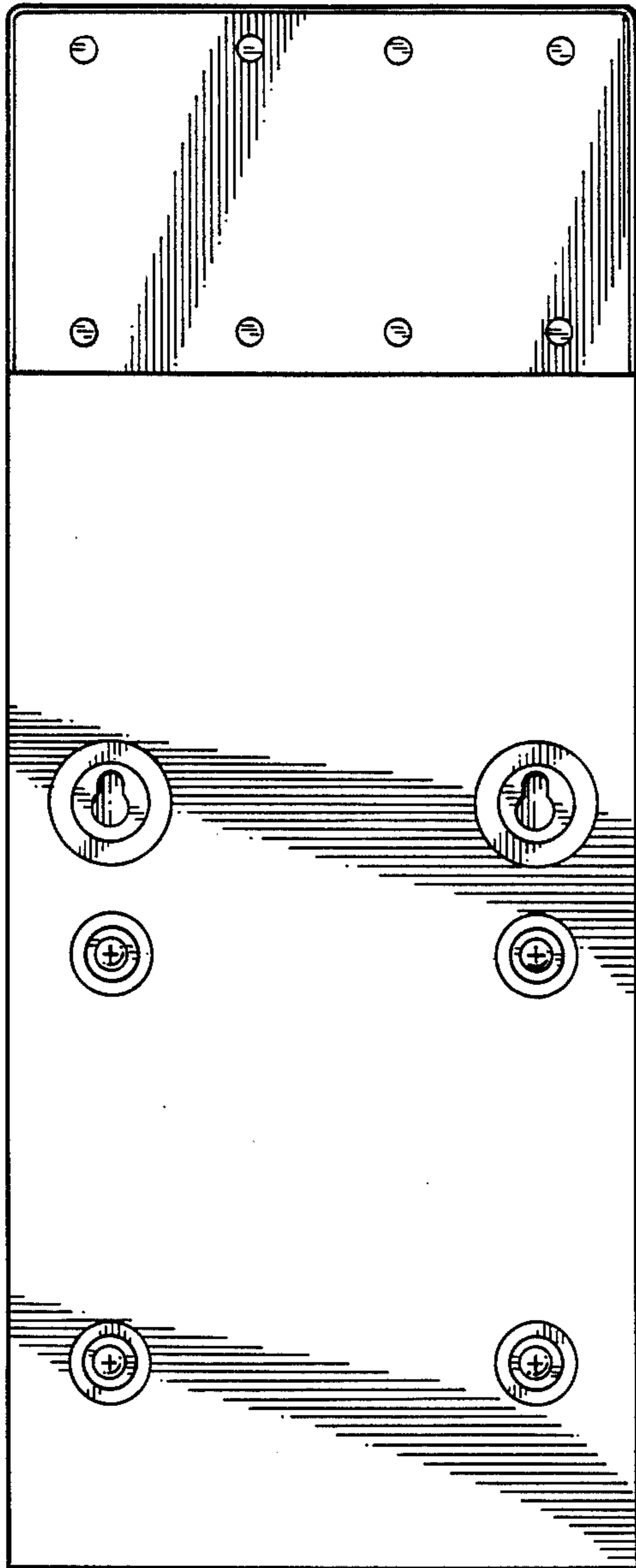


FIG. 3

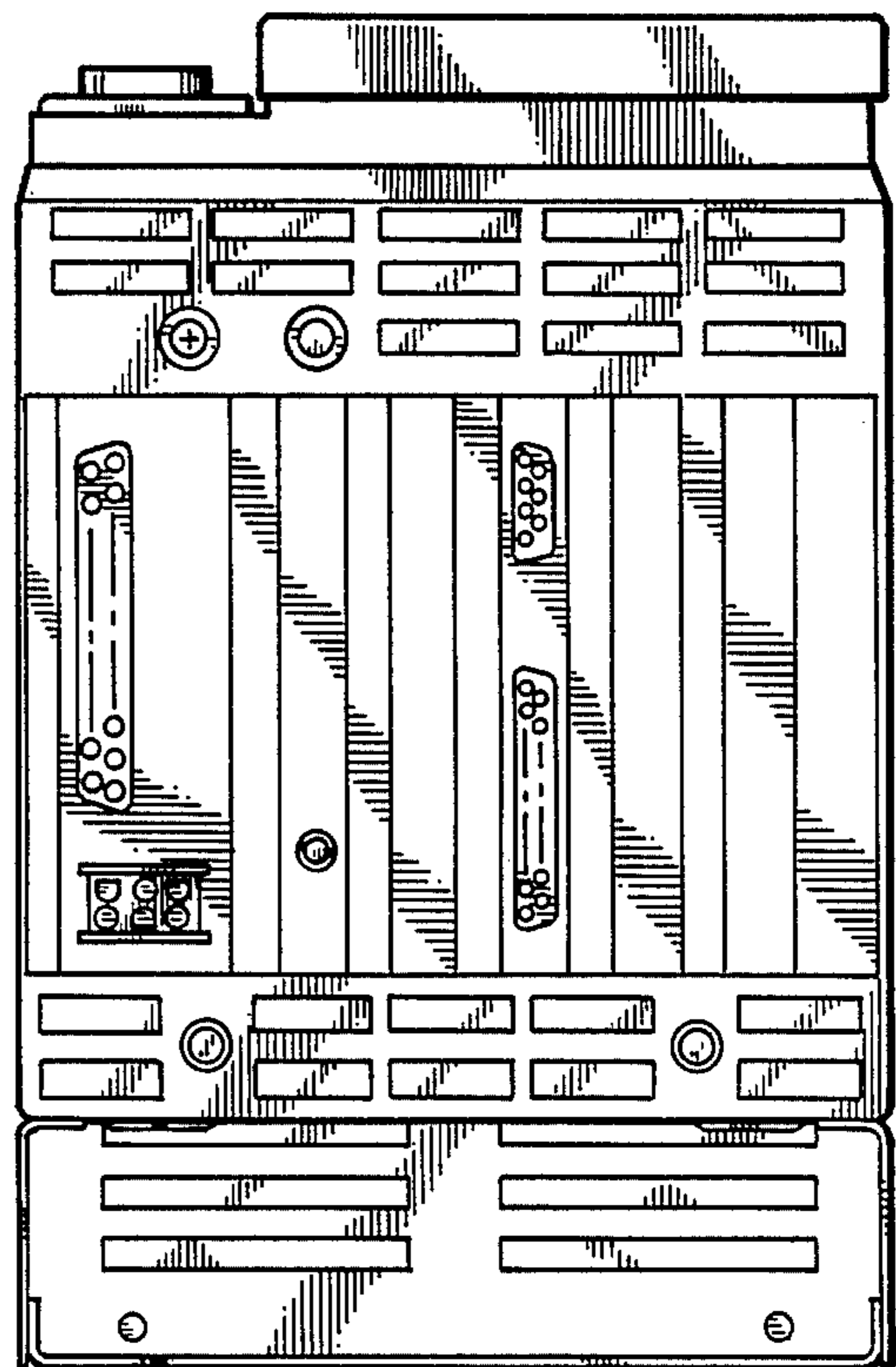


FIG. 4