

[54] COMBINED CLOCK AND FLASHLIGHT

[75] Inventor: Kam W. Ng, Kowloon, Hong Kong

[73] Assignee: Silcon Electronics Company Limited, Hong Kong, Hong Kong

[**] Term: 14 Years

[21] Appl. No.: 905,948

[22] Filed: Sep. 9, 1986

[30] Foreign Application Priority Data

Mar. 17, 1986 [GB] United Kingdom 1032877

[52] U.S. Cl. D10/5; D10/15; D10/18; D26/38

[58] Field of Search D10/2, 15, 18, 122-126; 368/10, 11, 82-84, 226-227, 285, 280-282, 239-242; D26/38, 51

[56] References Cited

U.S. PATENT DOCUMENTS

- D. 47,870 9/1915 Koretzky D26/38
- D. 255,433 6/1980 Anderson D10/15
- D. 255,551 6/1980 Hirota D10/15
- D. 255,996 7/1980 Tamura D10/15

- D. 273,049 3/1984 Lam D26/38
- 1,321,026 11/1919 Freed D26/38 X
- 4,390,289 6/1983 Houlihan 368/316 X

FOREIGN PATENT DOCUMENTS

2836650 11/1979 Fed. Rep. of Germany 368/276

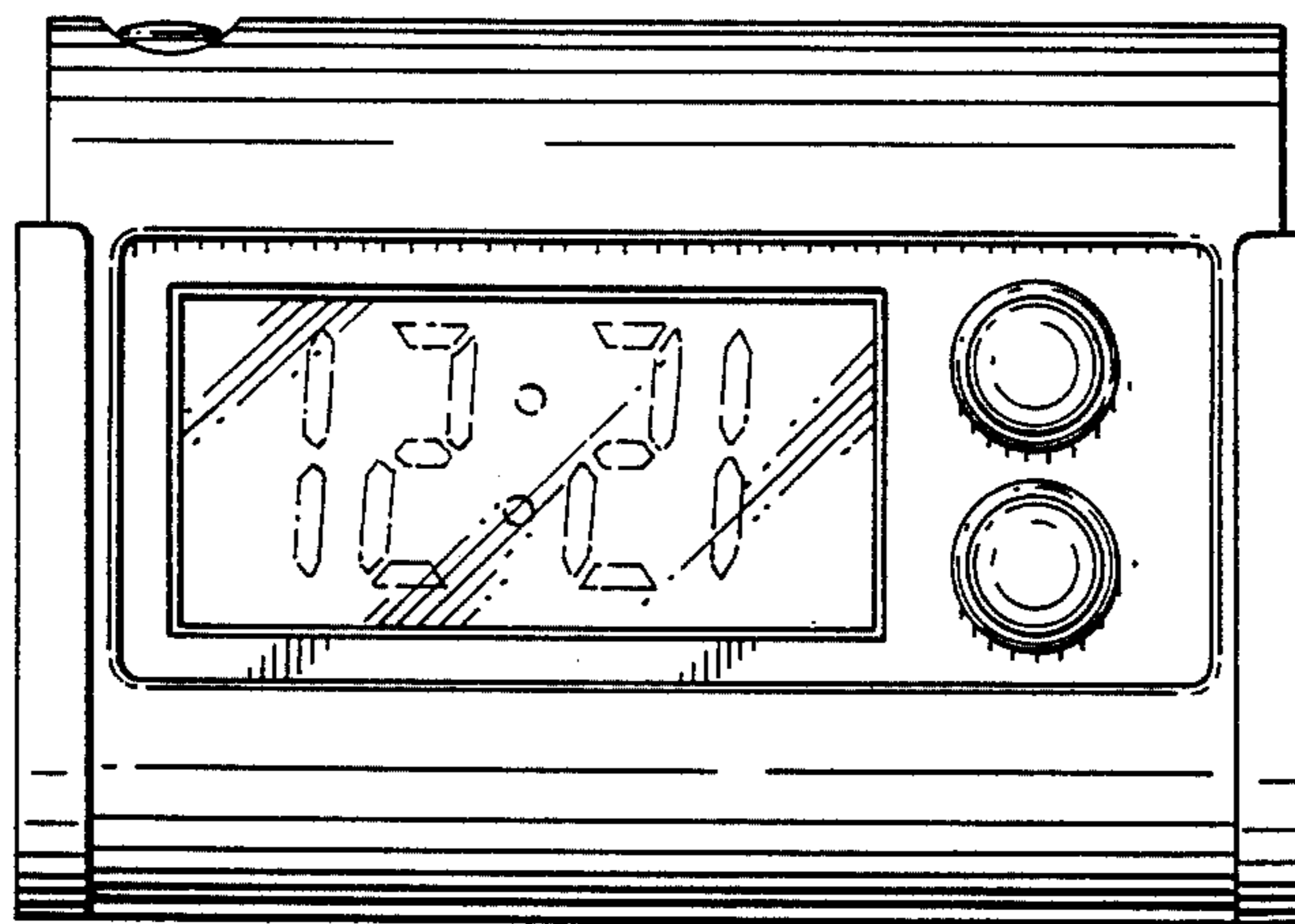
Primary Examiner—Nelson C. Holtje
Attorney, Agent, or Firm—Gregory P. Kaihoi; James R. Haller; Mary P. Bauman

[57] CLAIM

The ornamental design for a combined clock and flashlight, as shown and described.

DESCRIPTION

FIG. 1 is a front elevational view of a combined clock and flashlight showing my new design;
 FIG. 2 is a rear elevational view thereof;
 FIG. 3 is an exploded front and bottom left perspective view thereof;
 FIG. 4 is a rear perspective view of FIG. 3;
 FIG. 5 is an exploded front and top right perspective view thereof in an alternate position from FIGS. 3 and 4;
 FIG. 6 is a rear perspective view of FIG. 5.



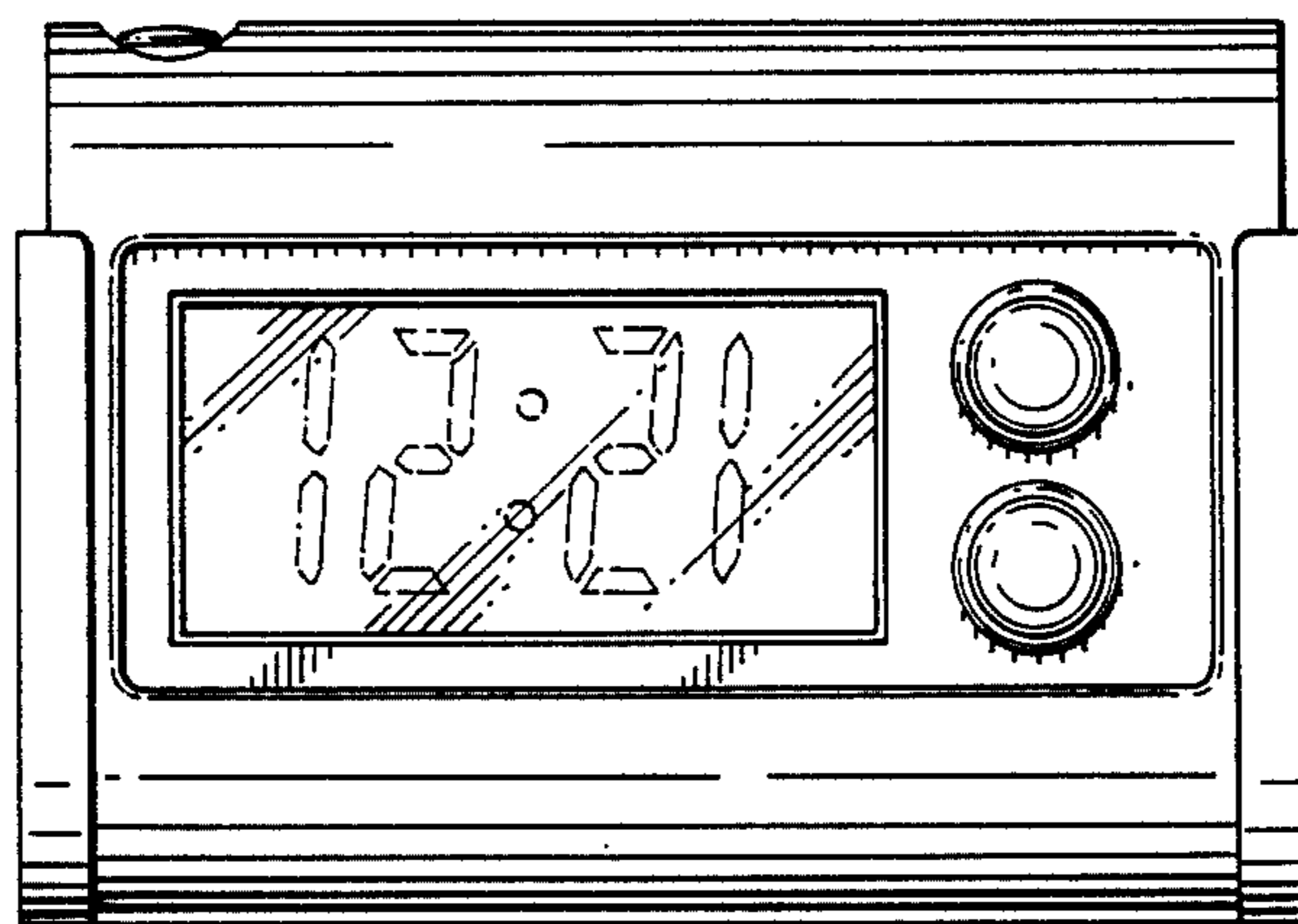


FIG. 1.

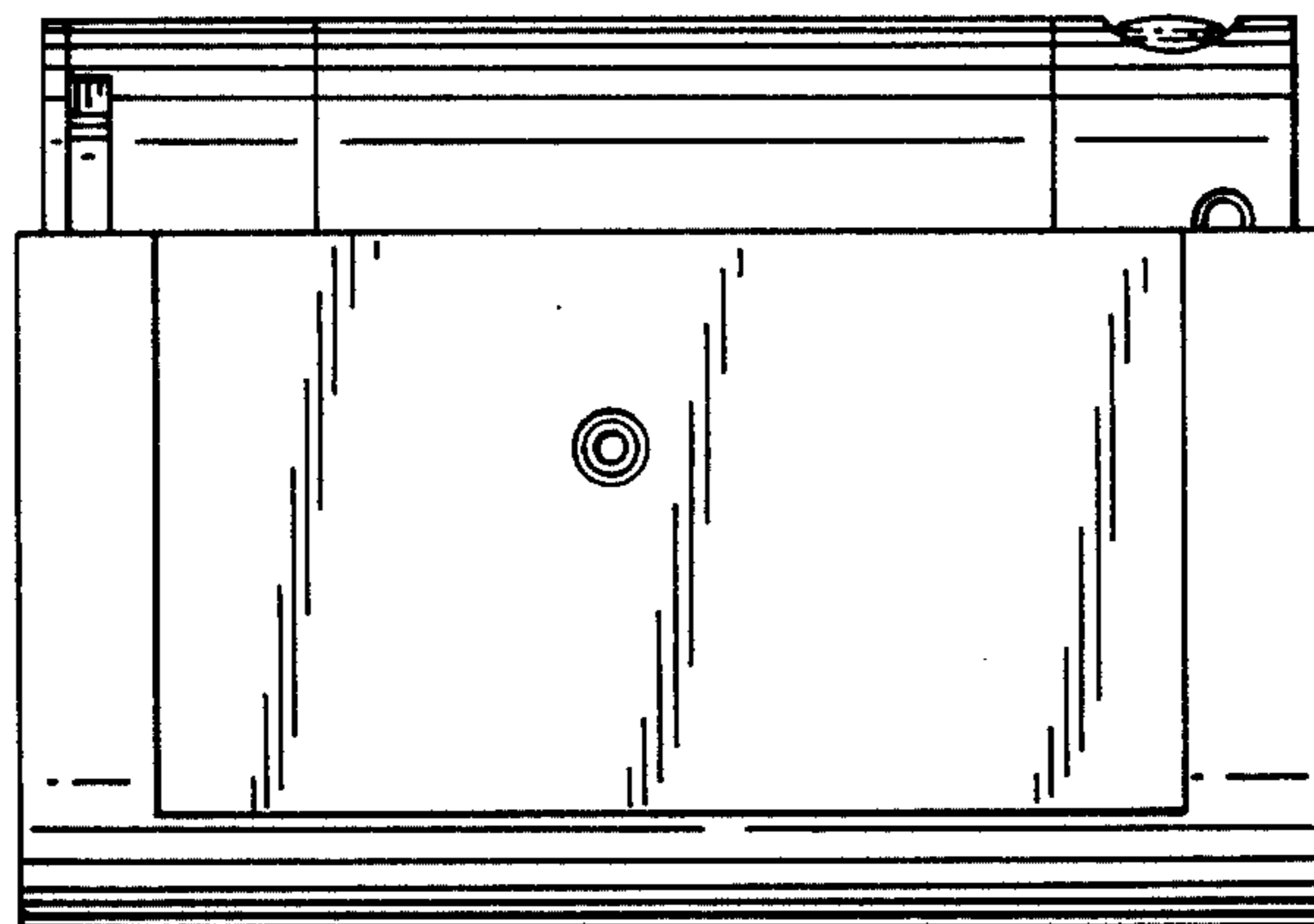


FIG. 2.

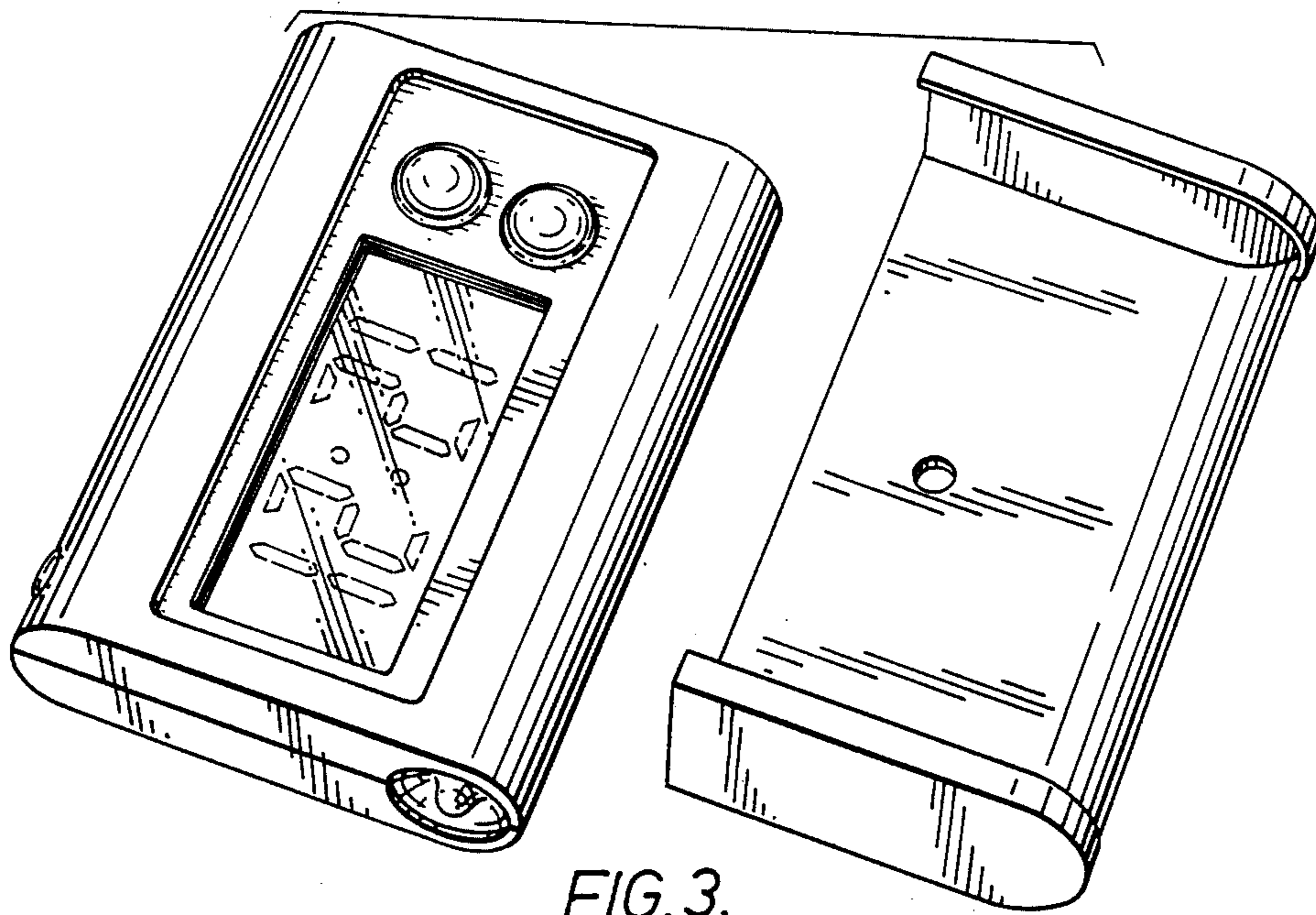


FIG. 3.

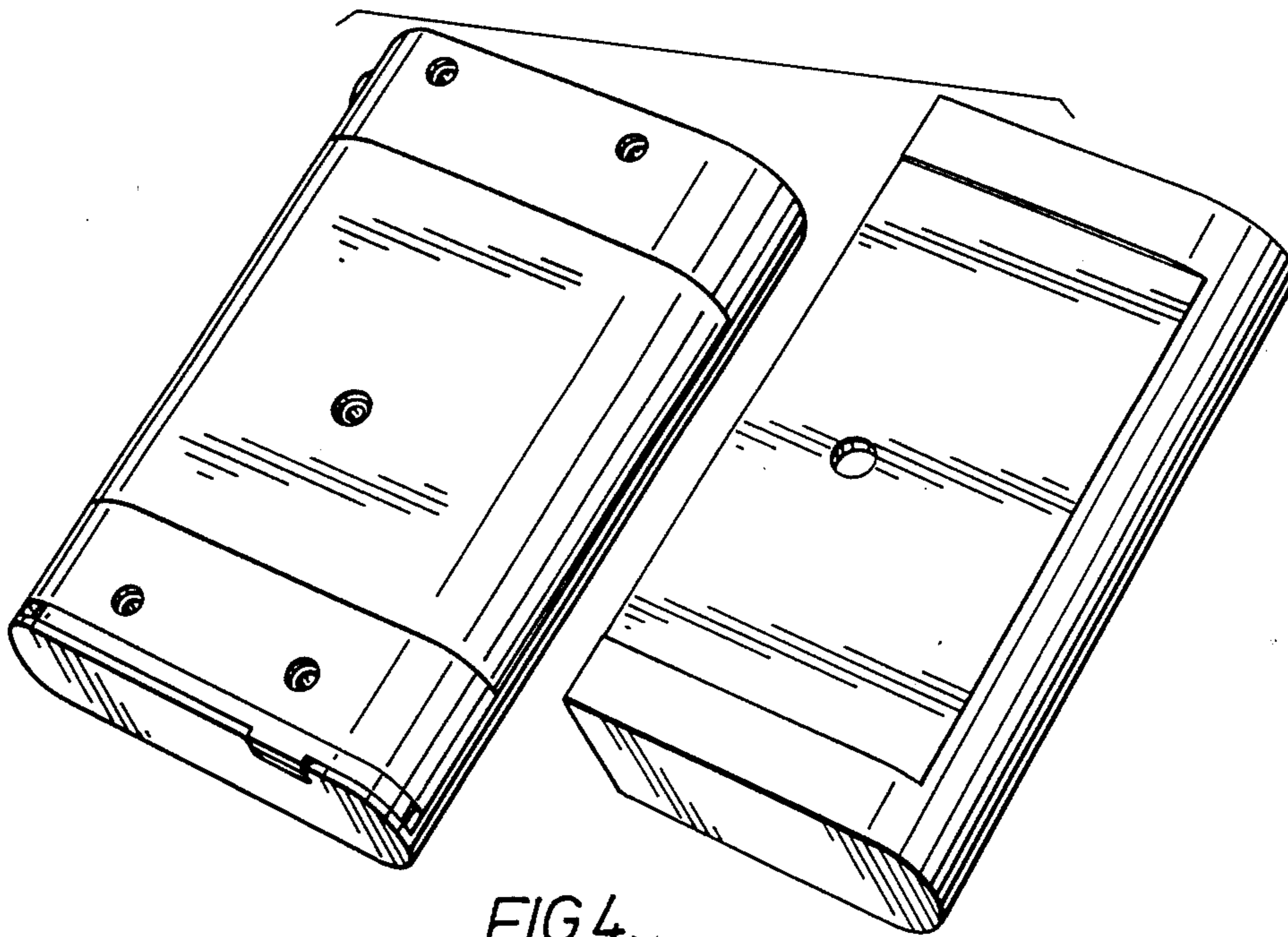


FIG. 4.

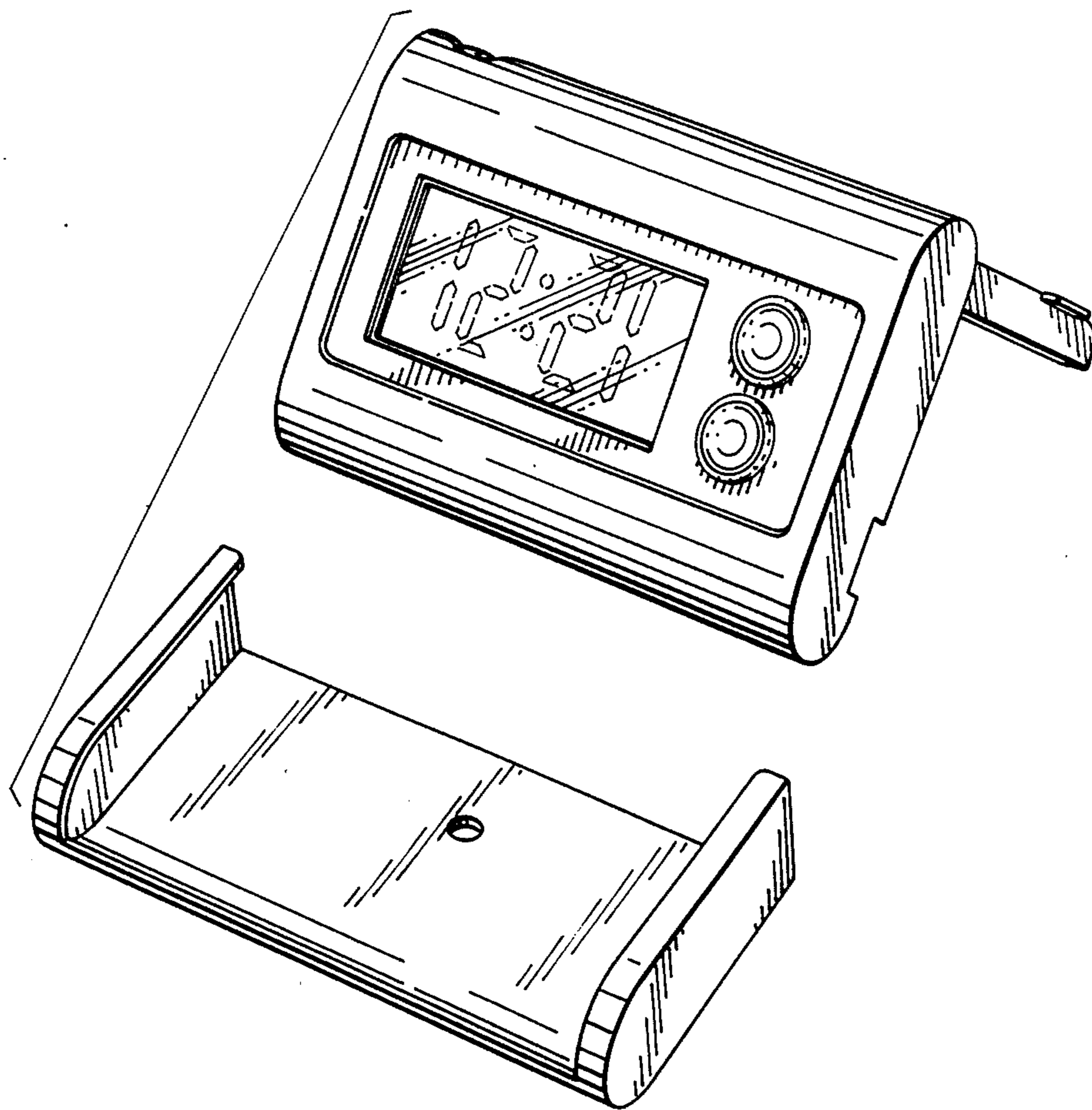


FIG. 5.

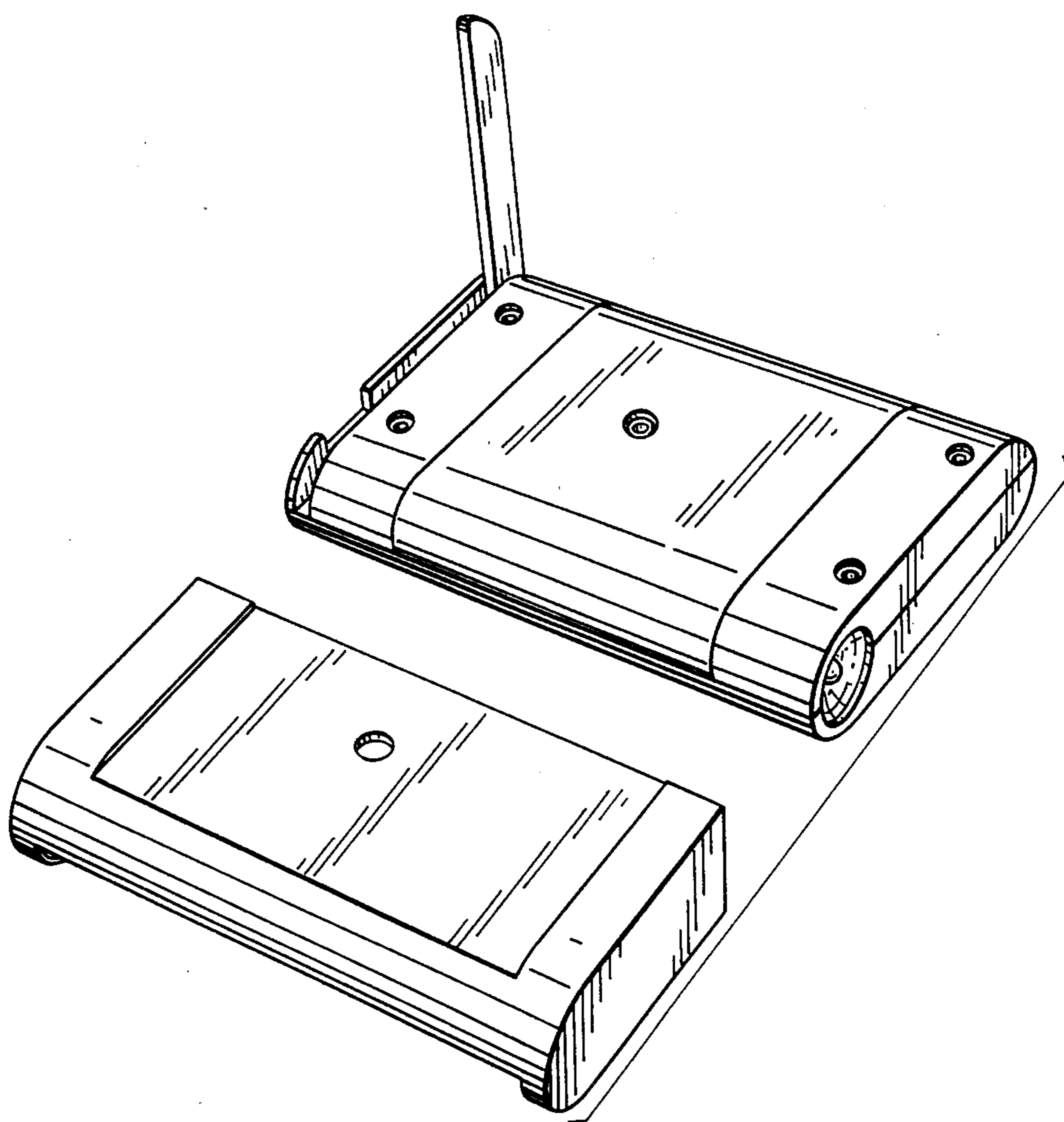


FIG.6.