

[54] COMBINED CLOCK AND BANK

[76] Inventor: Hans K. Zeisel, Waiblinger Strasse 25, D-7054 Korb, Fed. Rep. of Germany

[\*\*] Term: 14 Years

[21] Appl. No.: 52,746

[22] Filed: May 21, 1987

[30] Foreign Application Priority Data

Nov. 25, 1986 [DE] Fed. Rep. of Germany ..... 61-1107

[52] U.S. Cl. .... D10/2; D10/7; D10/8; D21/109; D21/158; D21/144; D99/40

[58] Field of Search ..... D10/1-39, D10/122-128; 368/285, 223, 232, 228, 238; D21/144, 109, 158; D19/64; D99/38, 40

[56] References Cited

U.S. PATENT DOCUMENTS

D. 19,269 8/1889 Bidwell ..... D10/7

D. 143,434 1/1946 Lerner ..... D21/144  
D. 181,344 11/1957 Delpidio ..... D10/7  
D. 243,950 4/1977 Ogasawara ..... D10/7 X  
D. 272,930 3/1984 Anderson ..... D21/144  
D. 286,381 10/1986 Zeisel ..... D10/8  
D. 293,004 12/1987 Emms ..... D21/158

Primary Examiner—Nelson C. Holtje

[57] CLAIM

The ornamental design for a combined clock and bank, as shown and described.

DESCRIPTION

FIG. 1 is a right front perspective view of a combined clock and bank showing my new design; FIG. 2 is a right side elevational view thereof; FIG. 3 is a rear elevational view thereof; FIG. 4 is a front elevational view thereof; FIG. 5 is a left side elevational view thereof; FIG. 6 is a top plan view thereof; FIG. 7 is a bottom plan view thereof; and FIG. 8 is an exploded right side elevational view thereof.

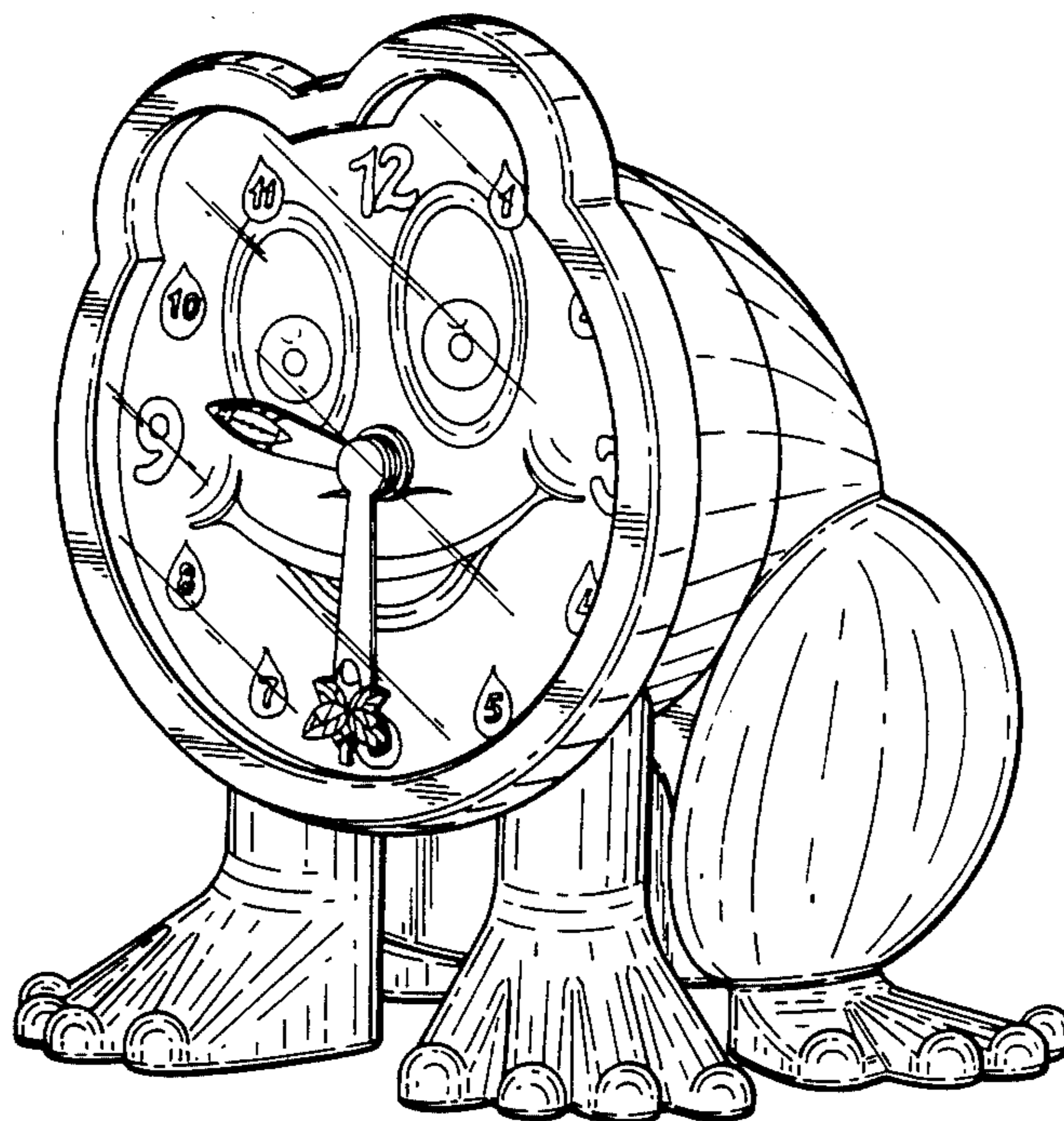
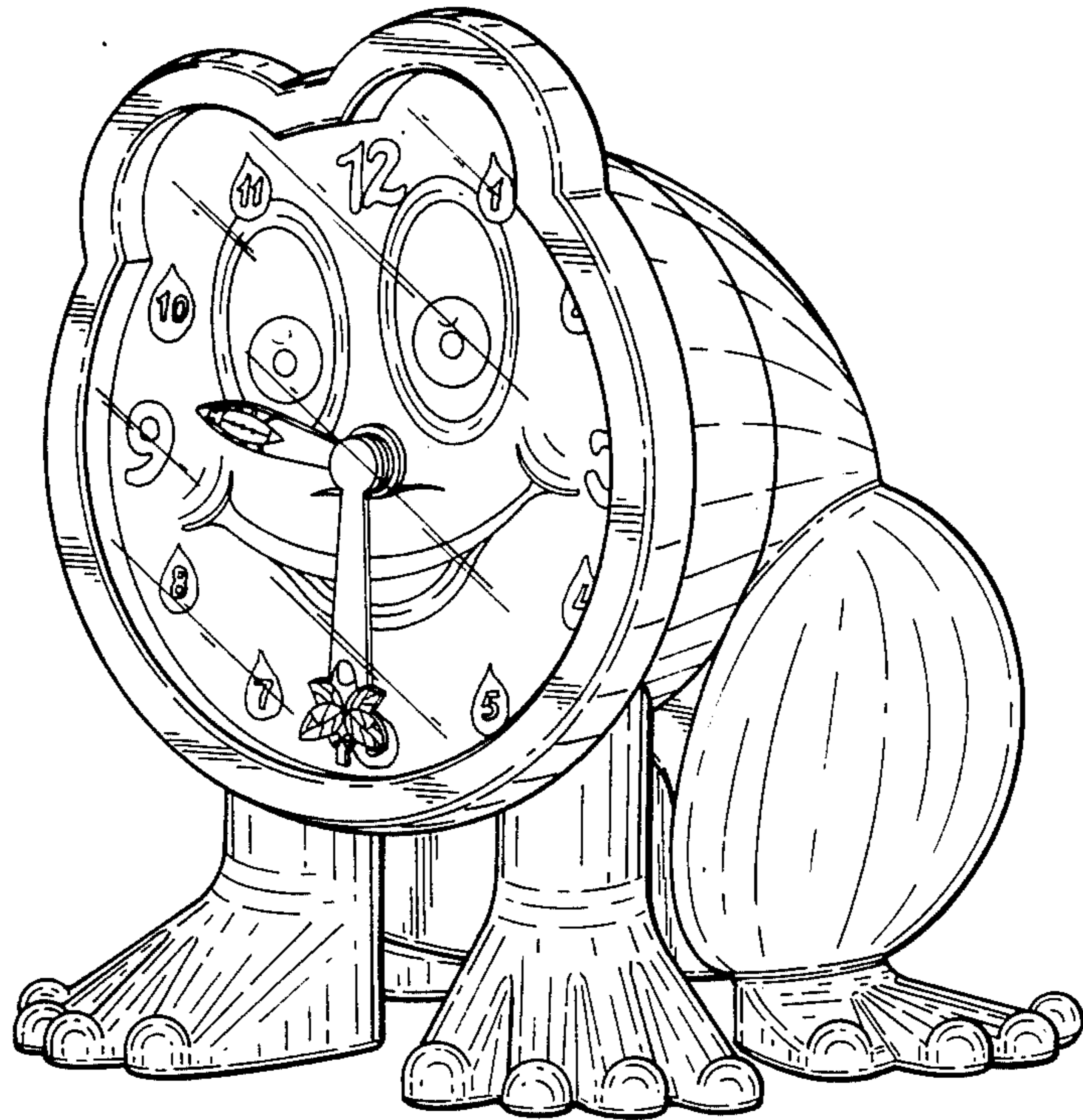


FIG. 1



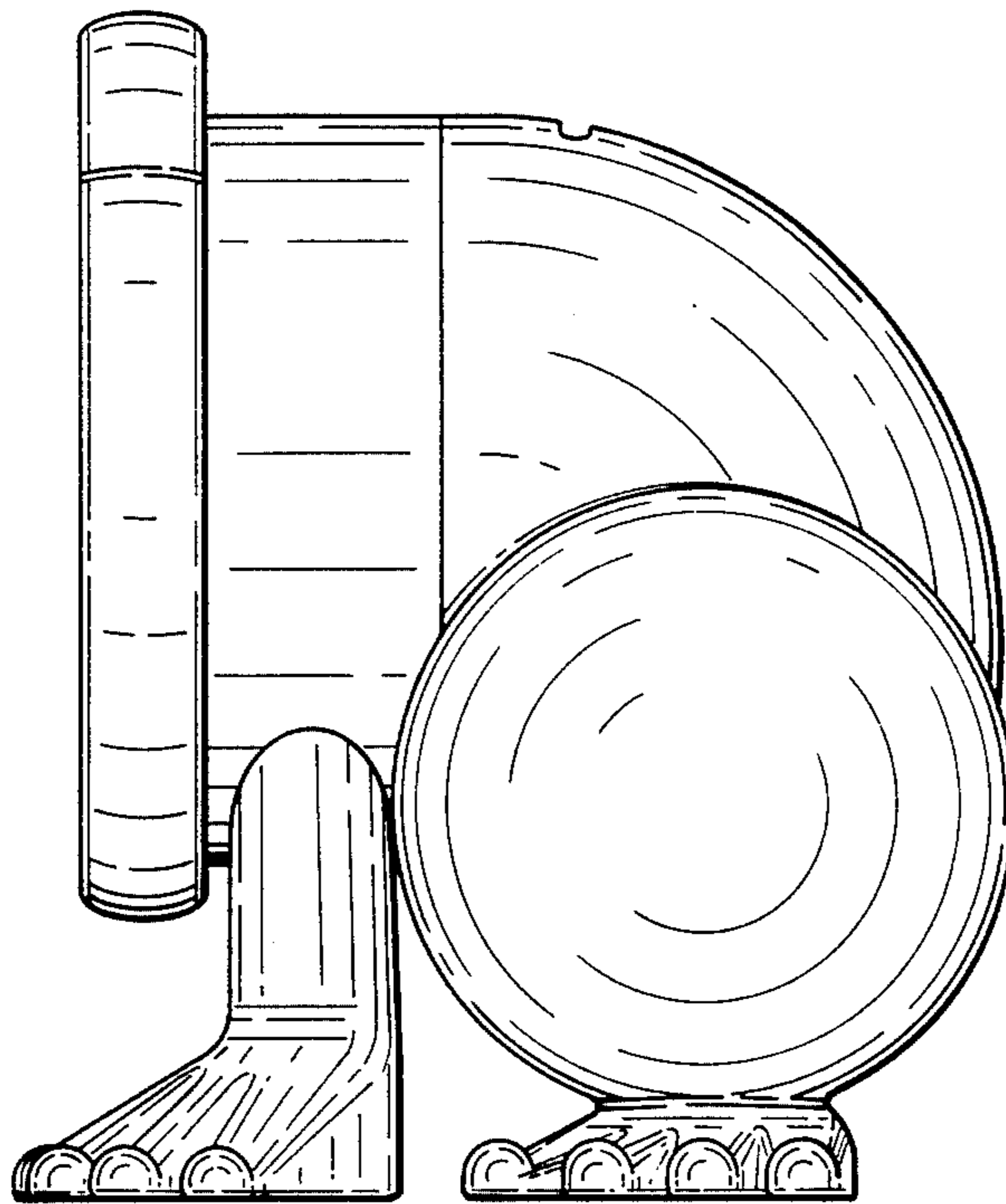
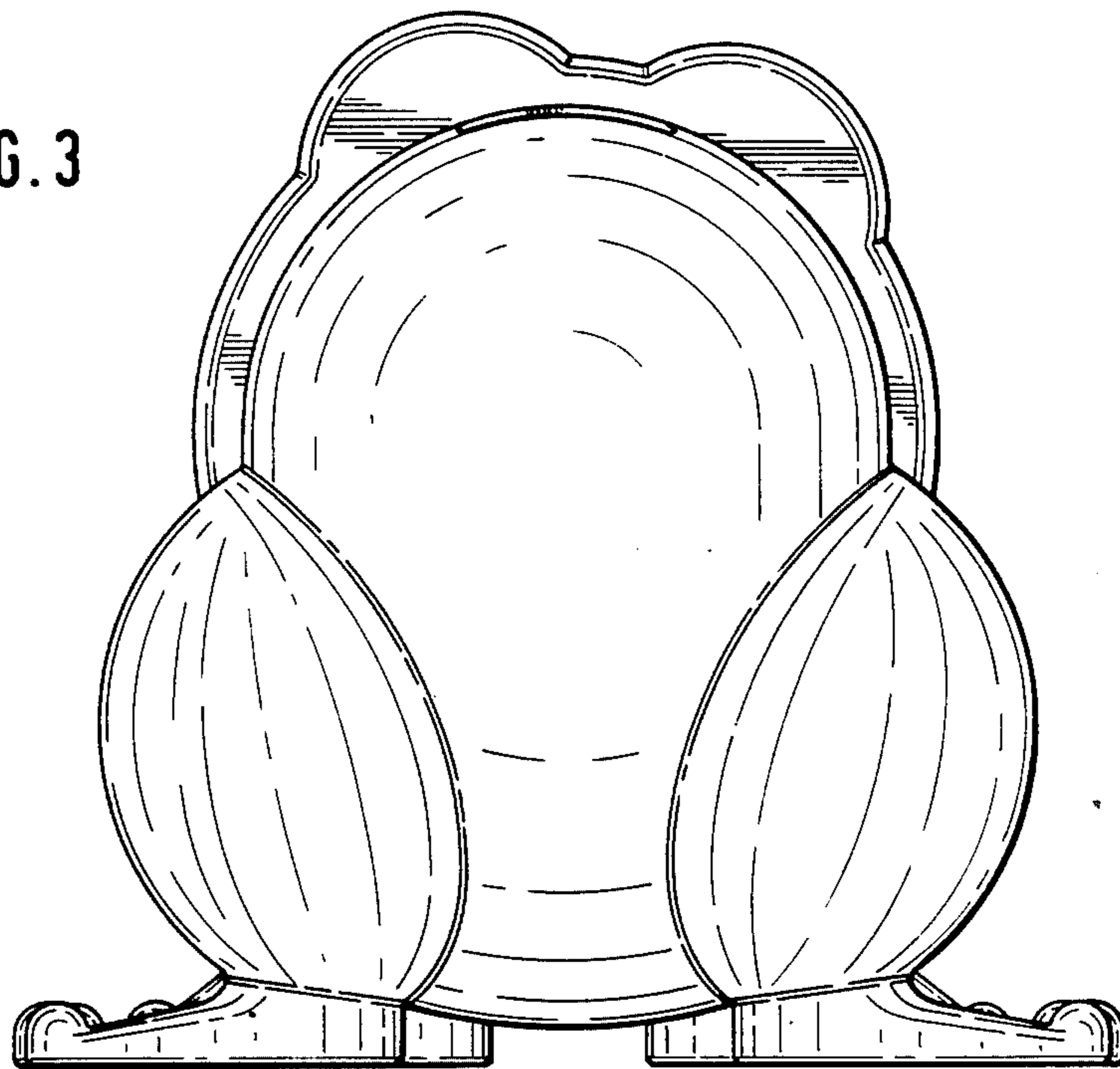


FIG. 2

FIG. 3



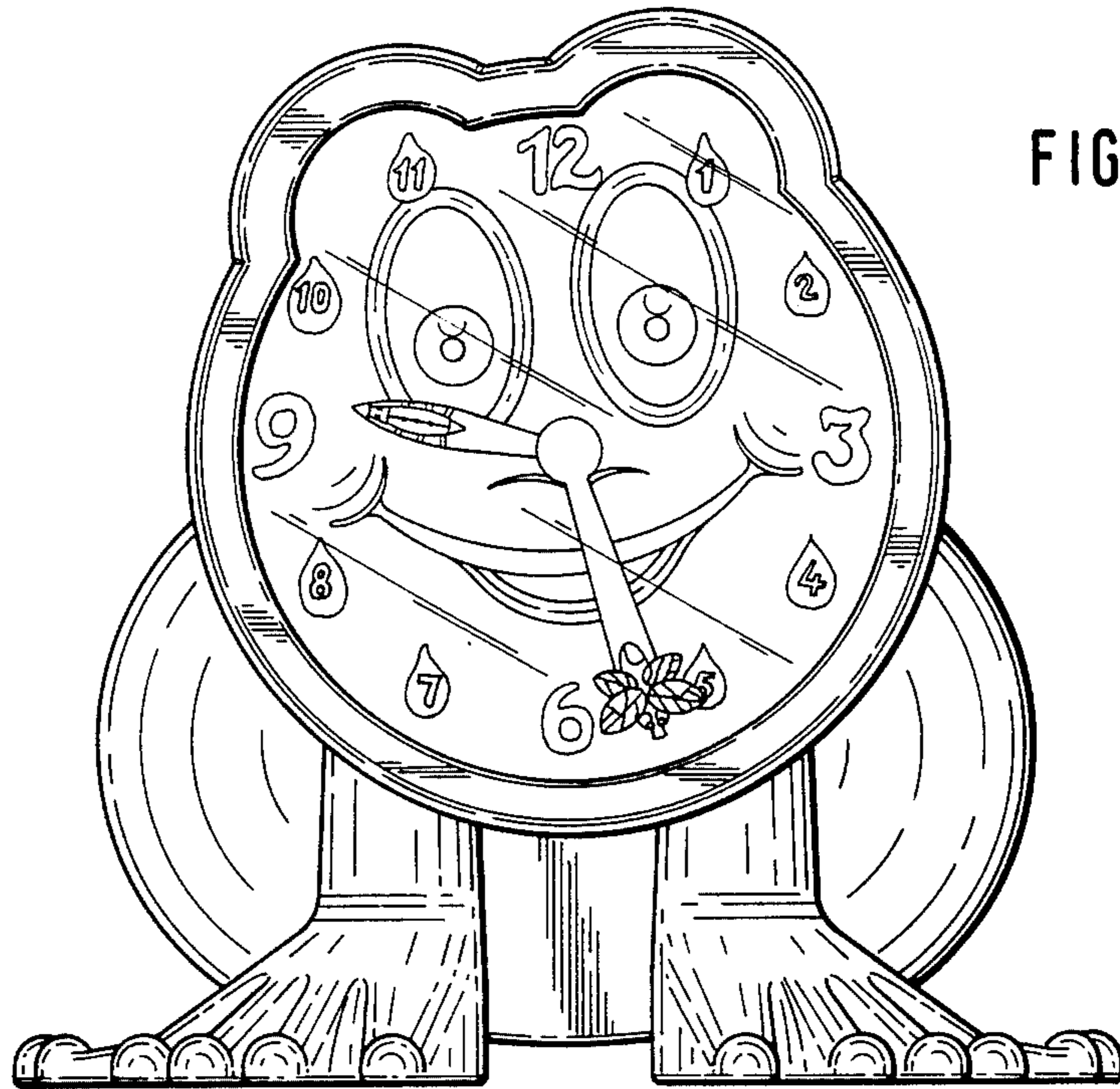
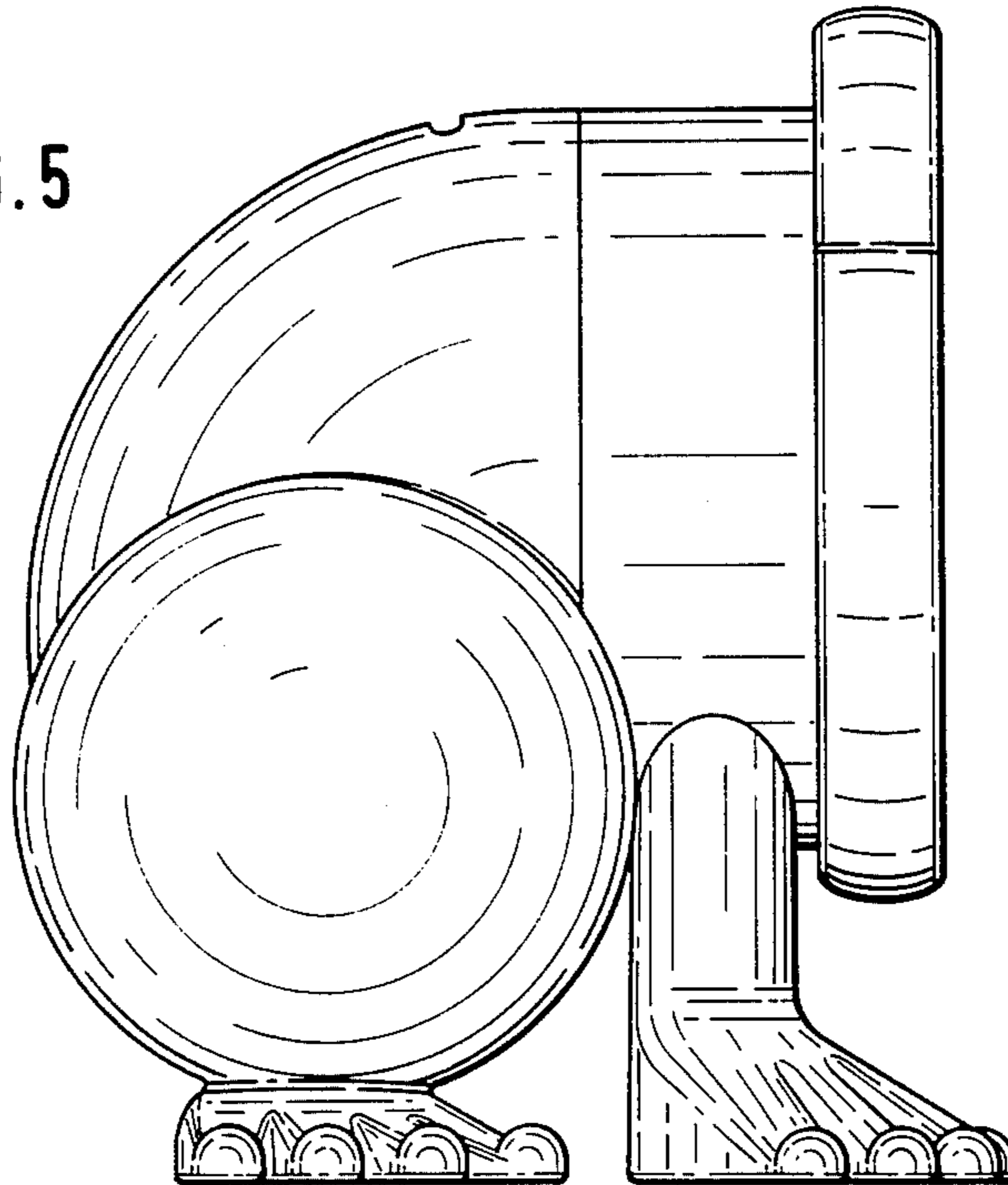


FIG. 4

FIG. 5



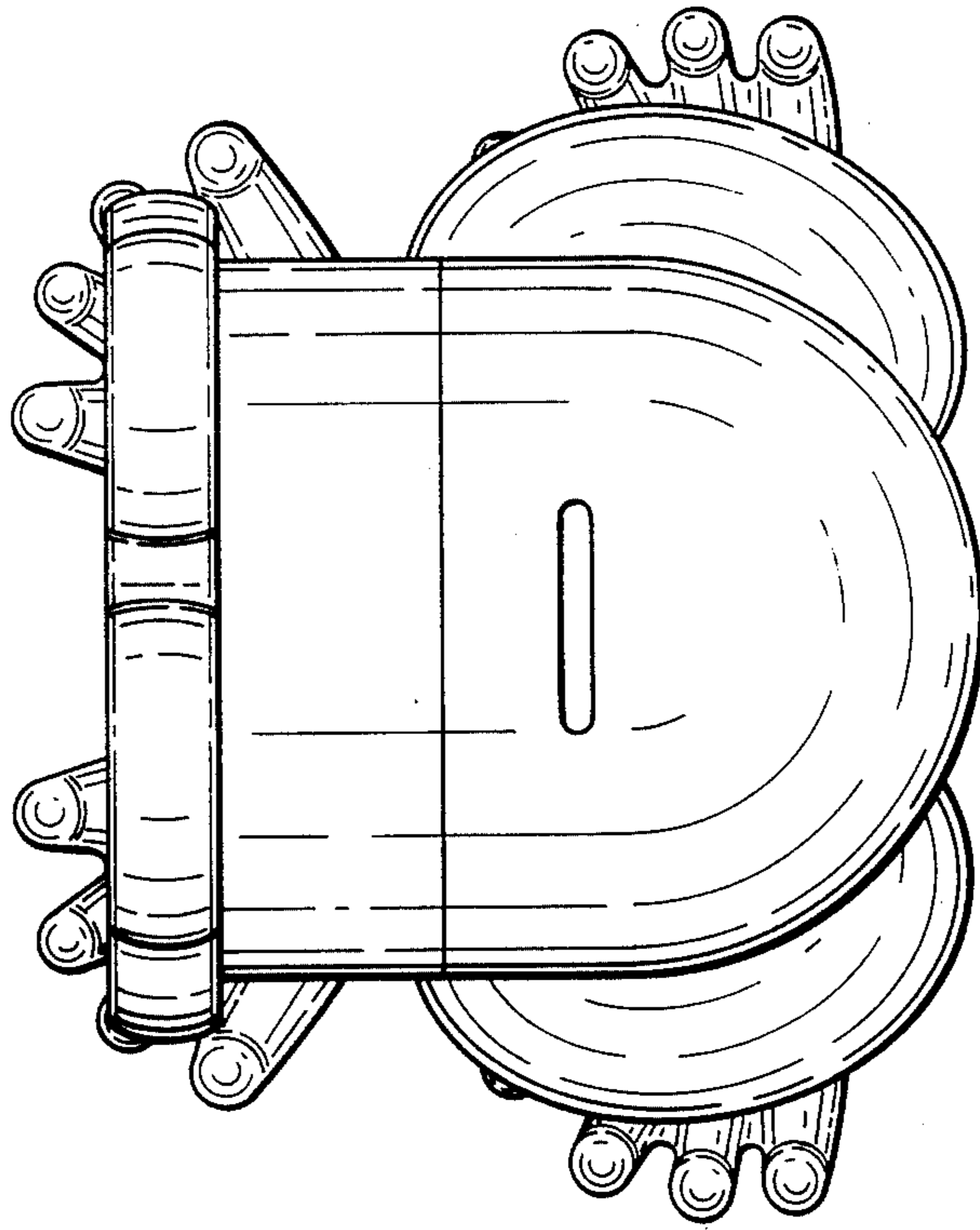


FIG. 6

FIG. 7

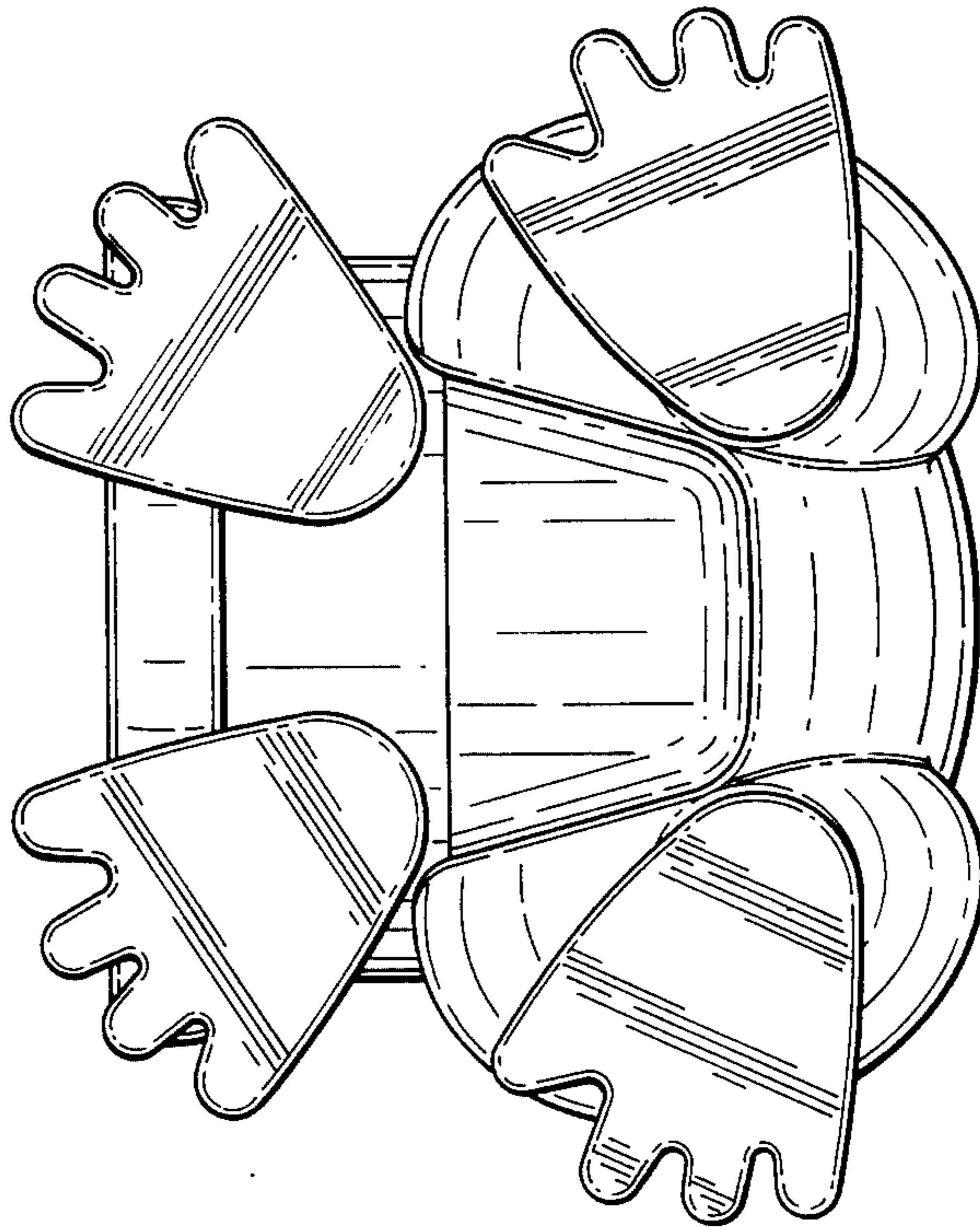


FIG. 8

