

United States Patent [19]

Sharman et al.

[11] Patent Number: **Des. 309,435**

[45] Date of Patent: **** Jul. 24, 1990**

[54] CAP FOR AN AEROSOL CONTAINER

[75] Inventors: **Kenneth T. Sharman; Bruce H. Dawson**, both of Ajax, Canada

[73] Assignees: **PVC (Canada), Ltd.**, Ajax; **CCL Industries, Inc.**, Toronto, both of Canada

[**] Term: **14 Years**

[21] Appl. No.: **12,199**

[22] Filed: **Feb. 9, 1987**

[52] U.S. Cl. **D9/435; D9/434**

[58] Field of Search **D9/445, 448, 300, 434, D9/435; 215/200, 277, 286, 316; 222/182**

[56] **References Cited**

U.S. PATENT DOCUMENTS

D. 203,775 2/1966 Fahlstrom D9/448
D. 238,322 1/1976 Kulhanjian D9/300

2,272,549 2/1942 Deschner 215/200
3,512,682 5/1970 Hendrickson et al. 222/182

Primary Examiner—B. J. Bullock

Assistant Examiner—Dominic Simone

Attorney, Agent, or Firm—Davis, Hoxie, Faithfull & Hapgood

[57] **CLAIM**

The ornamental design for a cap for an aerosol container, as shown.

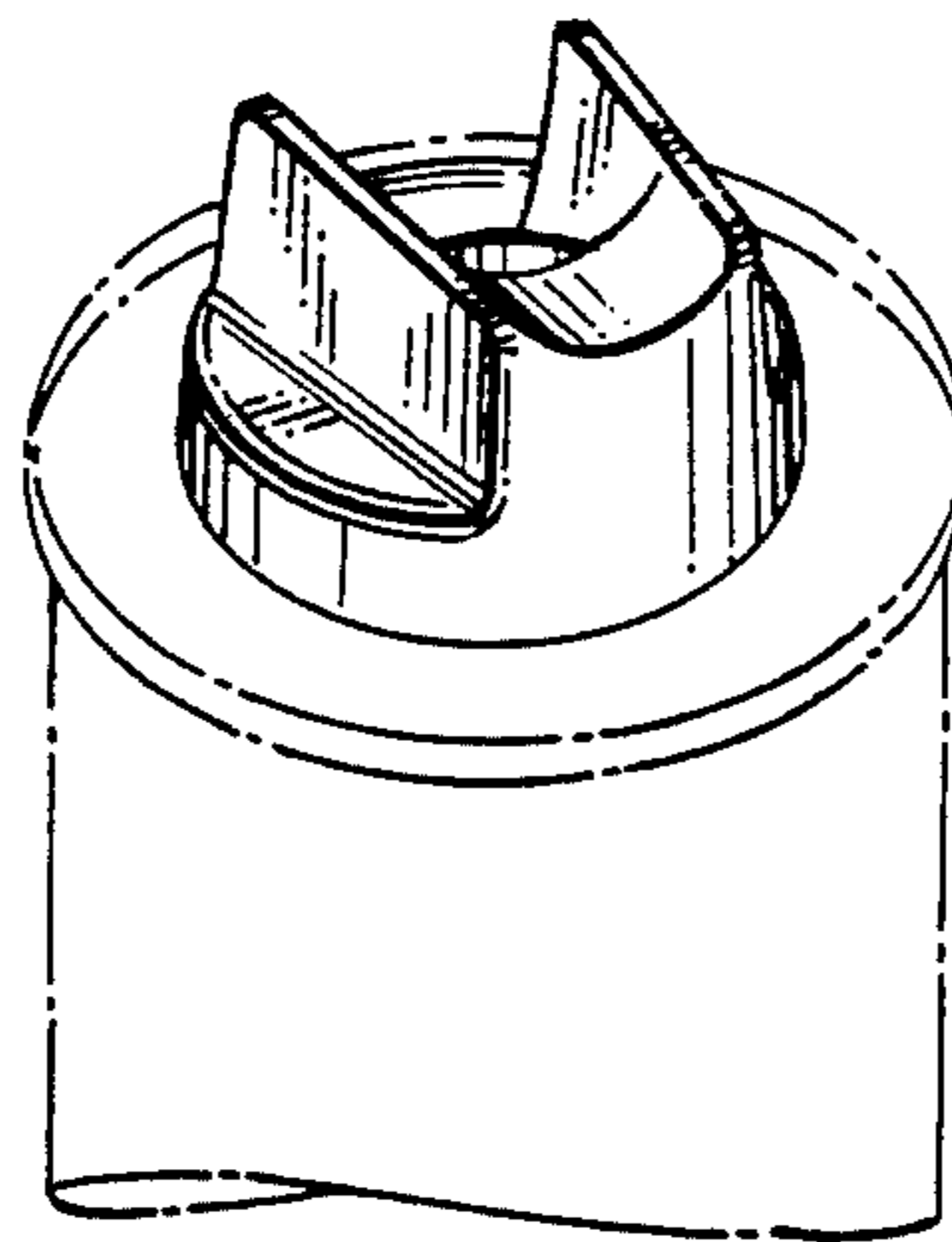
DESCRIPTION

FIG. 1 is a rear perspective view of a cap for an aerosol container showing my new design, the portion of a container shown in the broken lines for illustrative purposes only;

FIG. 2 is a top plan view thereof;

FIG. 3 is a sectional view taken in the direction of the arrows on line 3—3 of FIG. 2;

FIG. 4 is a rear elevational view thereof.



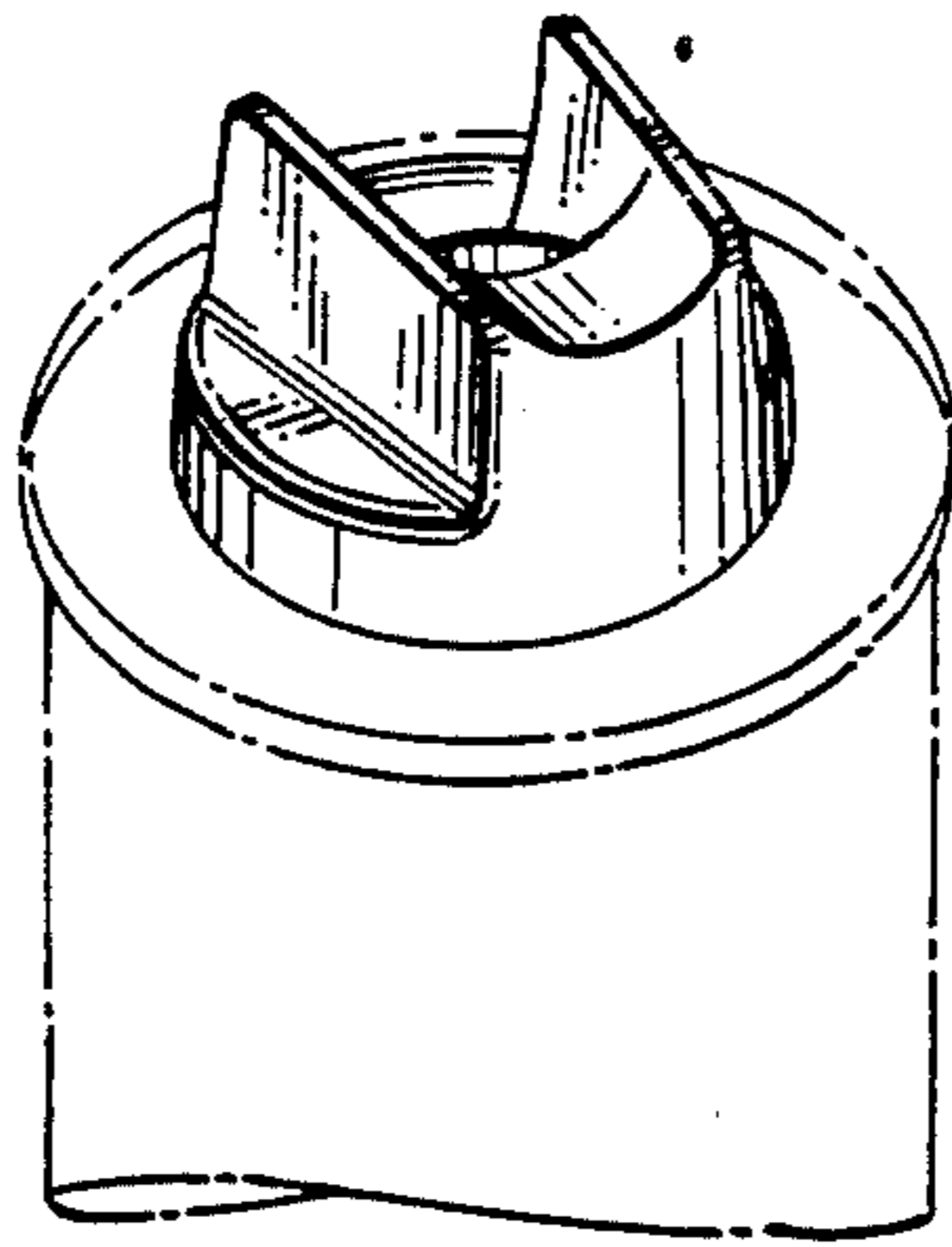


FIG. 1

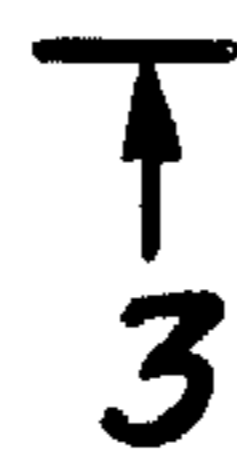
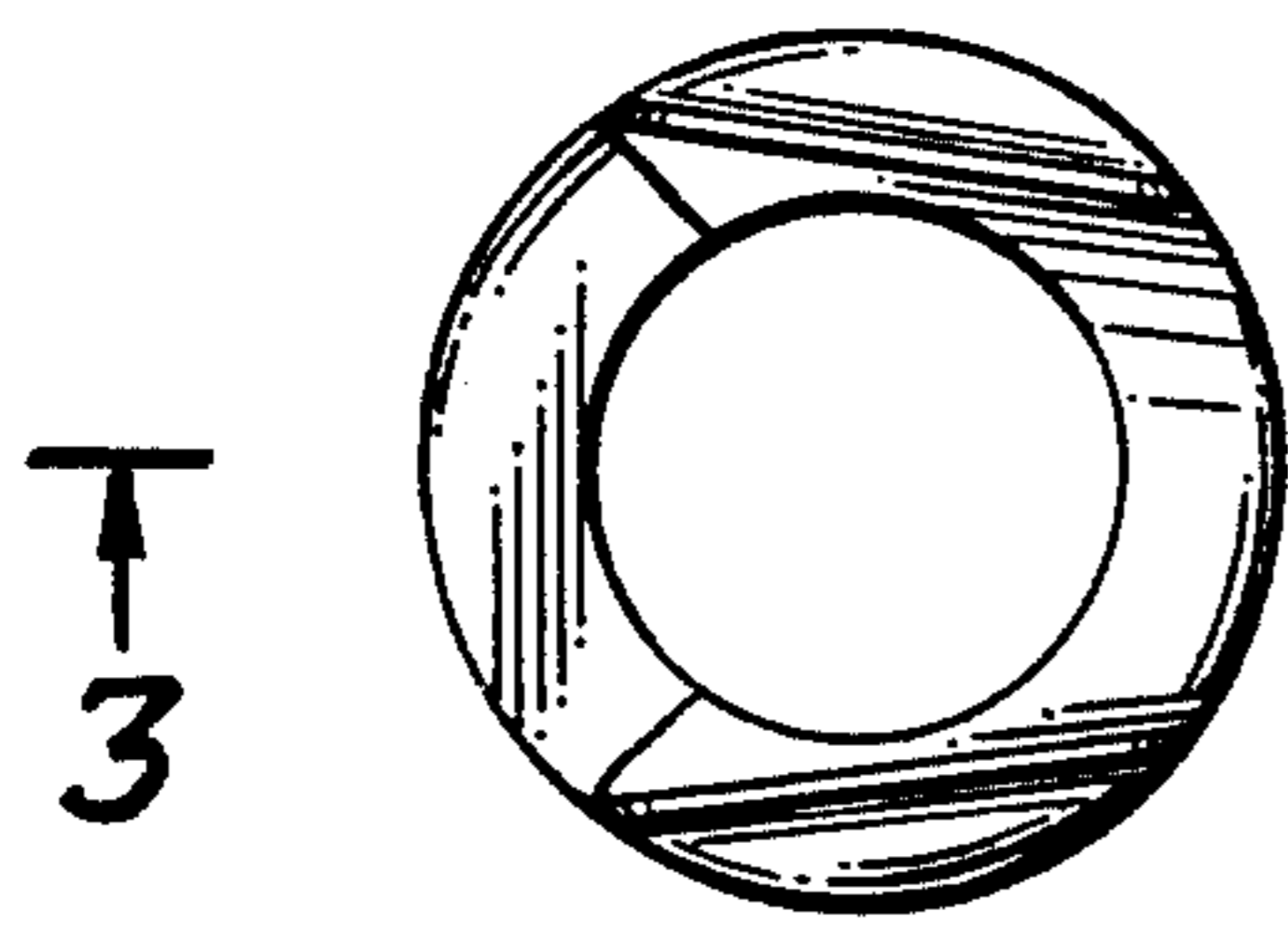


FIG. 2

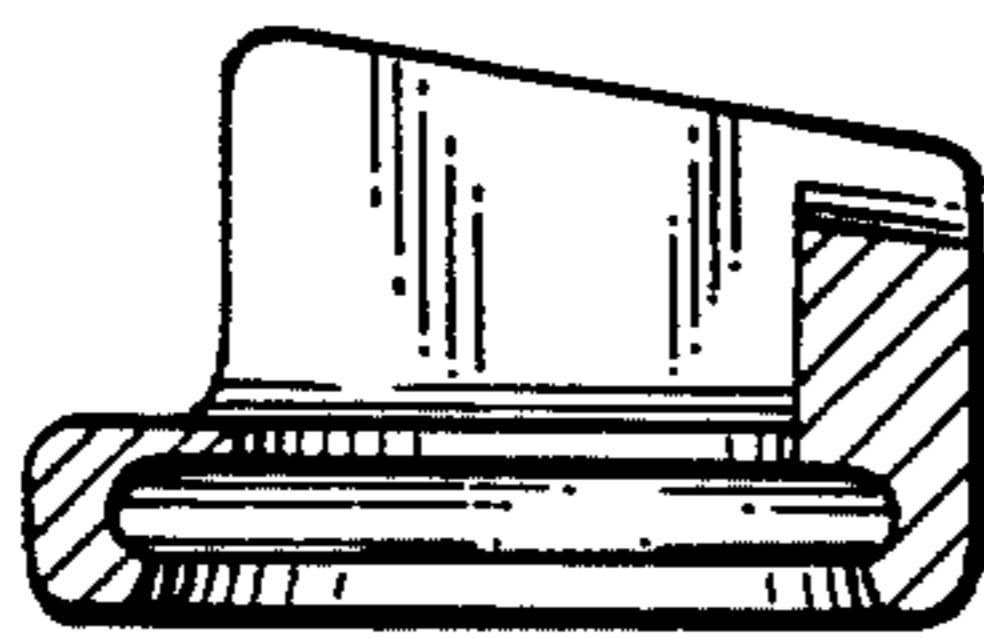


FIG. 3

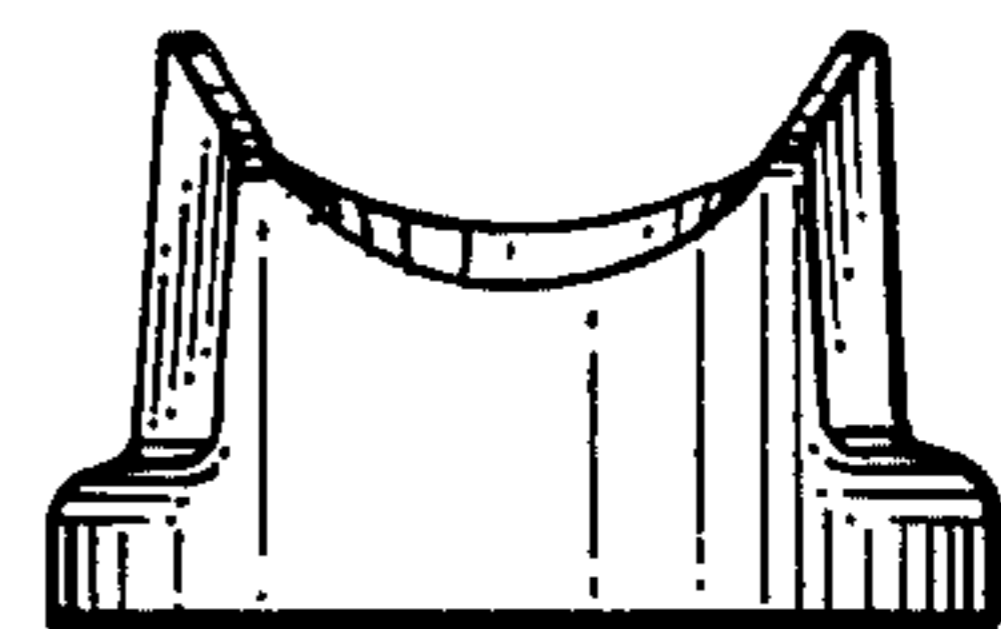


FIG. 4