

[54] **BLANK FOR A CONTAINER**
[75] **Inventor: Neil V. H. Goldman, London, England**
[73] **Assignee: Frank Coleman (Luton) Limited, Flitwick, England**
[**] **Term: 14 Years**
[21] **Appl. No.: 179,133**
[22] **Filed: Apr. 8, 1988**

[30] **Foreign Application Priority Data**

Oct. 12, 1987 [GB] United Kingdom 87/1045542
[52] **U.S. Cl. D9/433**
[58] **Field of Search D9/433, 430, 418; 229/162, 115, 117.07; 206/45.31, 45.21, 491**

[56] **References Cited**

U.S. PATENT DOCUMENTS

D. 262,946 2/1982 Mills et al. D9/433
2,107,946 2/1938 Inman 229/115
2,349,589 5/1944 Harrington 229/115

3,006,527 10/1961 Lofquist, Jr. 229/115
3,785,478 1/1974 Drori 206/45.31
4,457,431 7/1984 Lundquist et al. 229/162 X

FOREIGN PATENT DOCUMENTS

1539944 9/1968 France 229/162

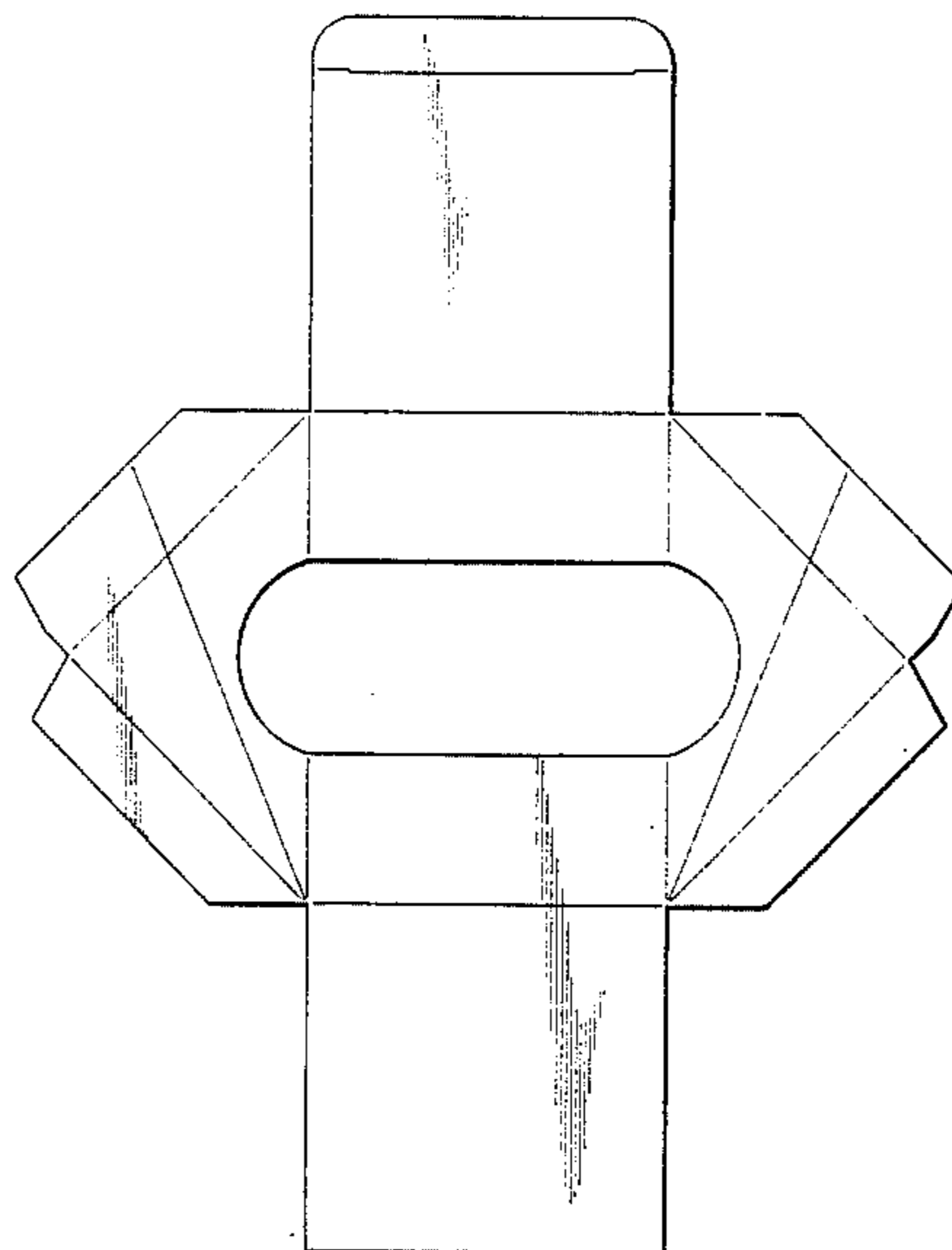
Primary Examiner—Charles A. Rademaker
Assistant Examiner—Prabhakar Deshmukh
Attorney, Agent, or Firm—Scrivener and Clarke

[57] **CLAIM**

The ornamental design for a blank for a container, as shown and described.

DESCRIPTION

FIG. 1 is a top plan view of a blank for a container showing my new design; the bottom plan view being a mirror image;
FIG. 2 is a front elevation thereof;
FIG. 3 is a top plan view of a modified embodiment of FIG. 1; the bottom plan view being a mirror image; and
FIG. 4 is a front elevation of FIG. 3.
The blank is of conventional thickness.



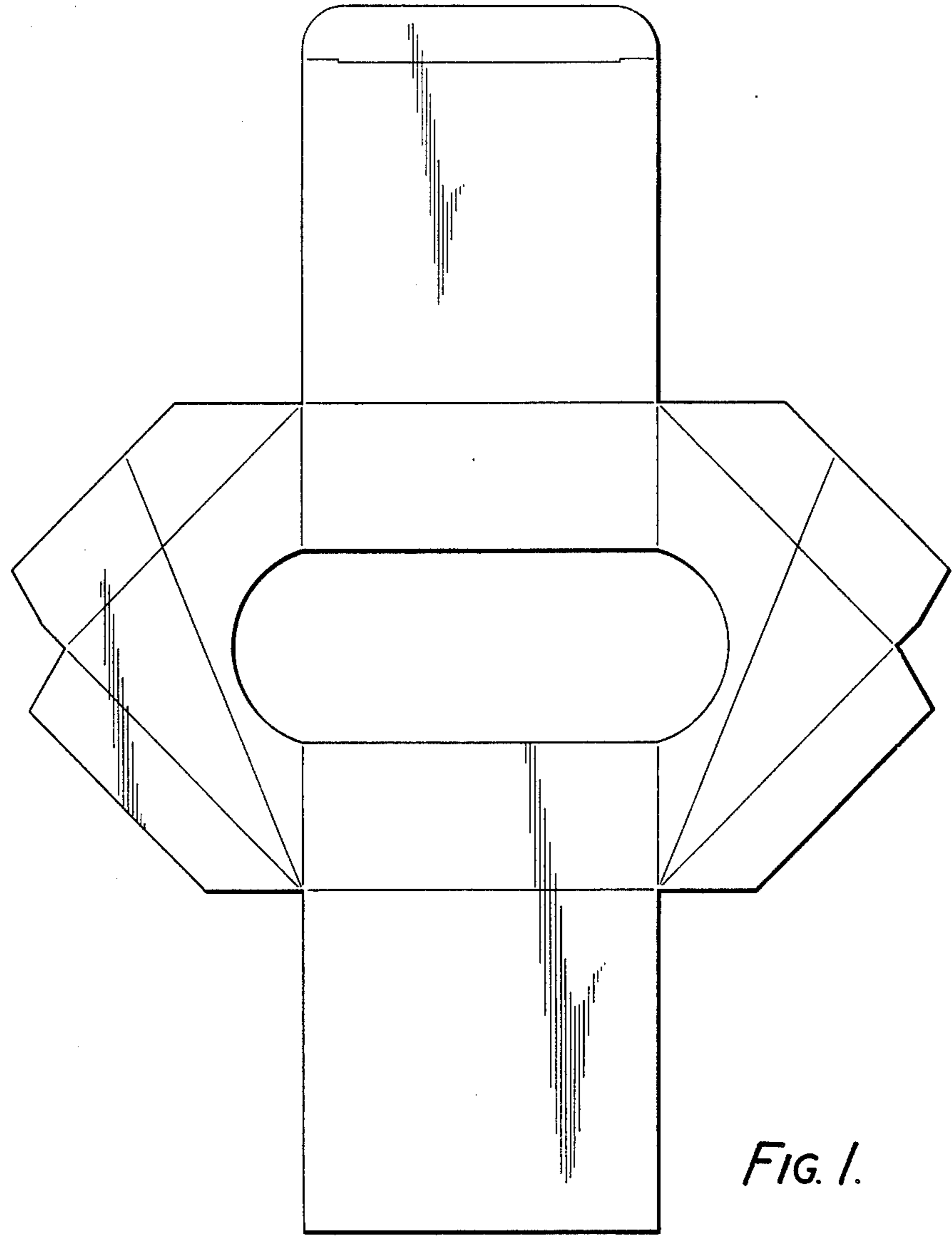


FIG. 1.

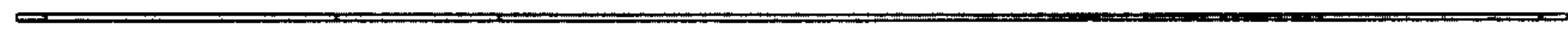


FIG. 2.

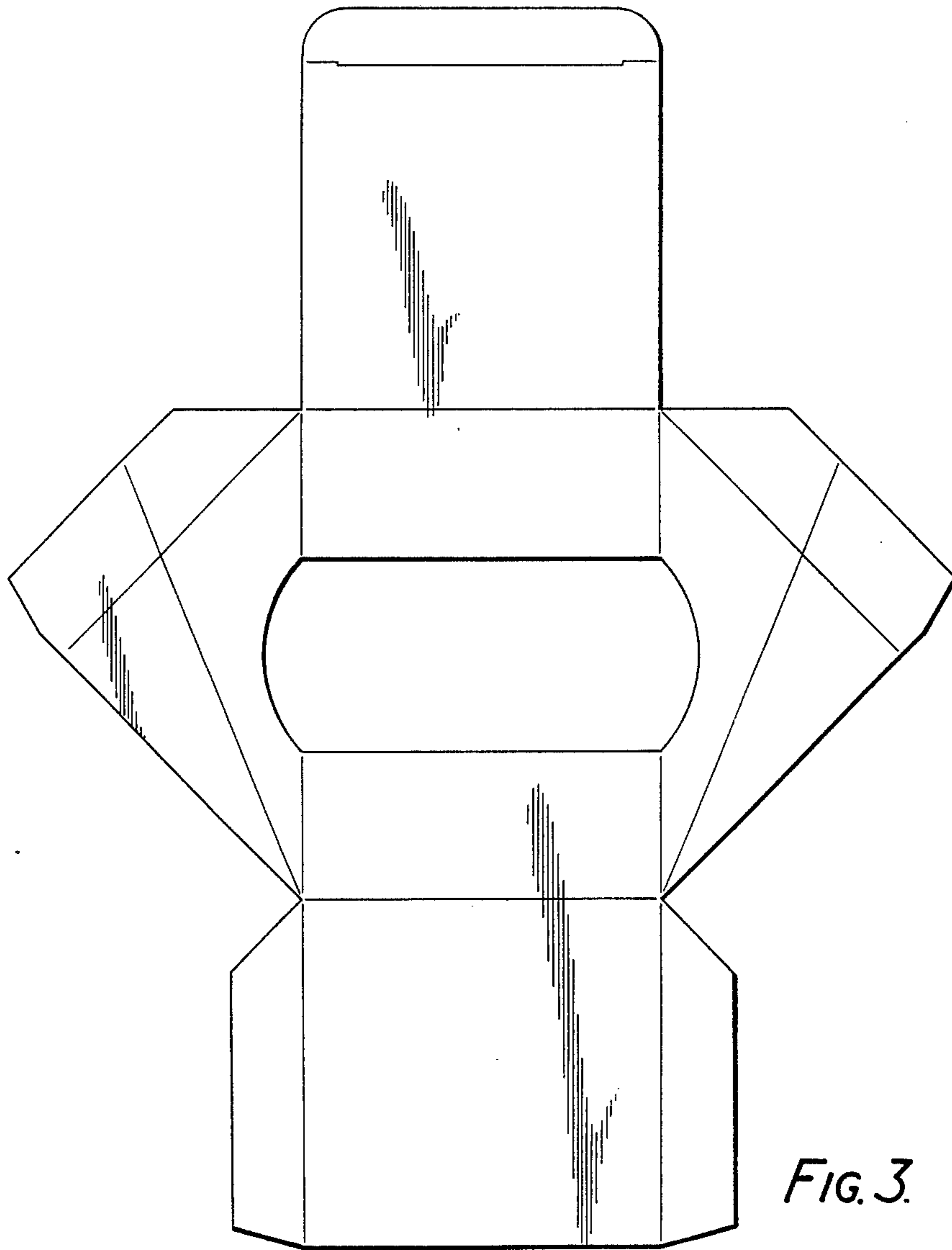


FIG. 3.



FIG. 4.